

**INSTALLER: LEAVE THIS MANUAL WITH THE APPLIANCE.
 CONSUMER: RETAIN THIS MANUAL FOR FUTURE REFERENCE.
 NEVER LEAVE CHILDREN OR OTHER AT RISK INDIVIDUALS ALONE WITH THE APPLIANCE**



INSTALLATION AND OPERATING INSTRUCTIONS

CONFORMS TO AMERICAN NATIONAL STANDARDS: ANSI Z21.50, CERTIFIED TO CANADIAN CSA 2.22 FOR VENTED GAS FIREPLACES.

EN

FR
PG
61

CERTIFIED FOR CANADA AND UNITED STATES USING ANSI/CSA METHODS.

SAFETY INFORMATION

WARNING

If the information in these instructions are not followed exactly, a fire or explosion may result causing property damage, personal injury or loss of life.

- Do not store or use gasoline or other flammable vapors and liquids in the vicinity of this or any other appliance.
- **WHAT TO DO IF YOU SMELL GAS:**
 - Do not try to light any appliance.
 - Do not touch any electrical switch; do not use any phone in your building.
 - Immediately call your gas supplier from a neighbour's phone. Follow the gas supplier's instructions.
 - If you cannot reach your gas supplier, call the fire department.
- Installation and service must be performed by a qualified installer, service agency or the supplier.

This appliance may be installed in an aftermarket, permanently located, manufactured home (USA only) or mobile home, where not prohibited by local codes.

This appliance is only for use with the type of gas indicated on the rating plate. This appliance is not convertible for use with other gases, unless a certified kit is used.

Decorative Product: Not for use as a heating appliance.

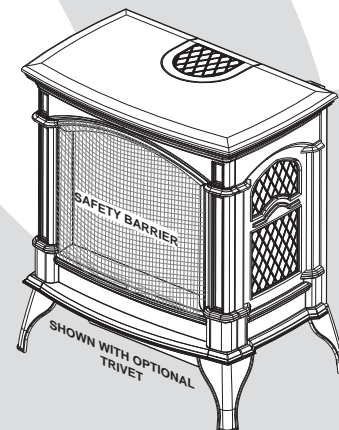


BARRIER



GDS60-1NSP & GS60-1NSP NATURAL GAS

GDS60-1NNSP & GS60-1NNSP PROPANE GAS



WARNING

HOT GLASS WILL CAUSE BURNS.

DO NOT TOUCH GLASS UNTIL COOLED.

NEVER ALLOW CHILDREN TO TOUCH GLASS.



A barrier designed to reduce the risk of burns from the hot viewing glass is provided with the appliance and shall be installed.

Wolf Steel Ltd., 24 Napoleon Rd., Barrie, ON, L4M 0G8 Canada /
 103 Miller Drive, Crittenden, Kentucky, USA, 41030

Phone (705)721-1212 • Fax (705)722-6031 • www.napoleonfireplaces.com • ask@napoleonproducts.com

TABLE OF CONTENTS

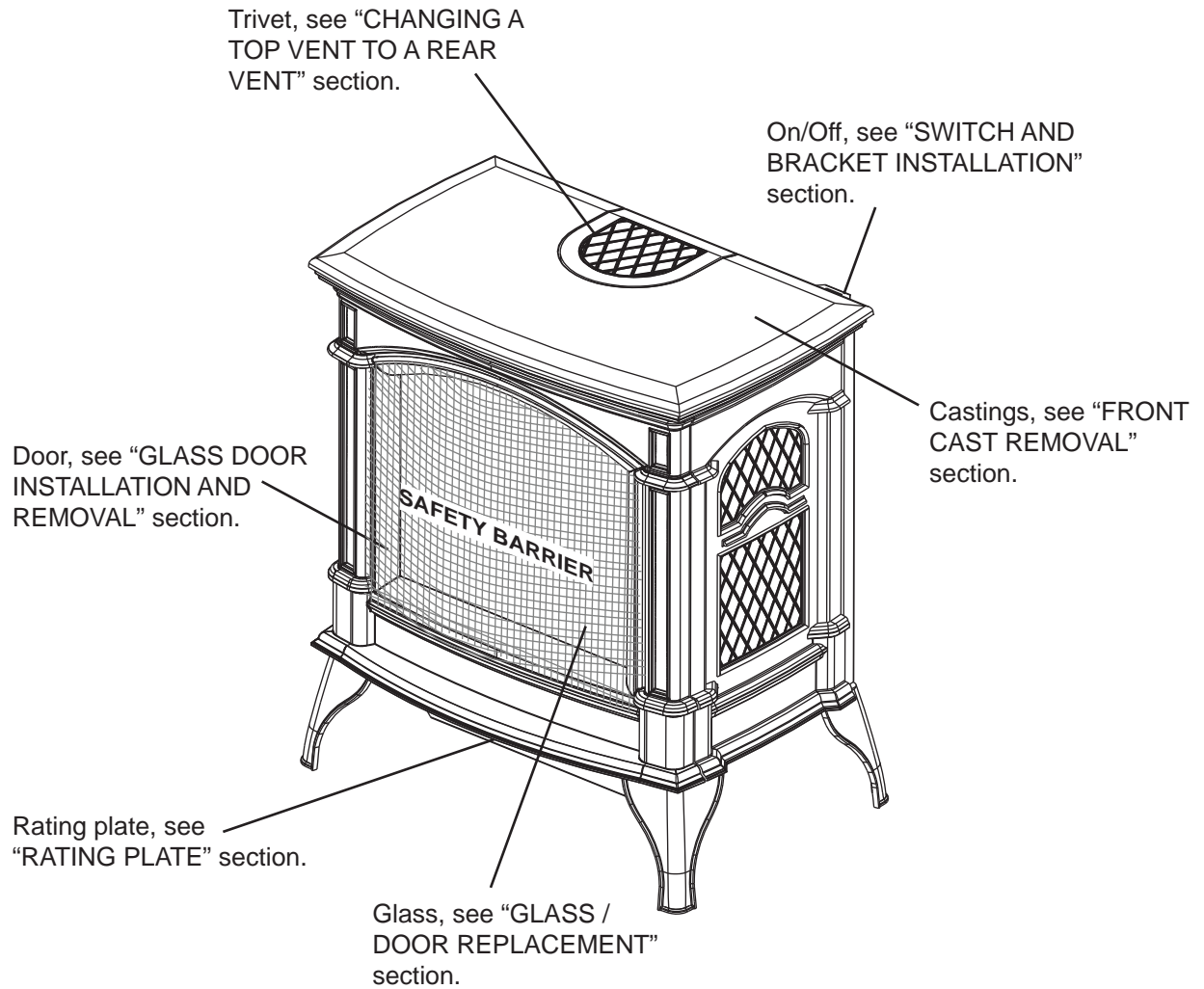


NOTE: The camera icon indicates video tutorials are available as additional reference, visit <http://www.napoleonfireplaces.com/category/product-support/support-centre/>

1.0	INSTALLATION OVERVIEW	3
2.0	INTRODUCTION	4
2.1	DIMENSIONS	5
2.2	GENERAL INSTRUCTIONS	5
2.3	GENERAL INFORMATION	6
2.4	RATING PLATE INFORMATION	7
2.5	SHIPPING BRACKET	8
3.0	VENTING - MODEL GDS60-1	9
3.1	VENTING LENGTHS AND COMPONENTS	10
3.2	TYPICAL VENT INSTALLATIONS	11
3.3	SPECIAL VENT INSTALLATIONS	13
3.3.1	PERISCOPE TERMINATION	13
3.3.2	CORNER TERMINATION	13
3.4	VENT TERMINAL CLEARANCES	14
3.5	VENTING APPLICATION FLOW CHART	15
3.6	DEFINITIONS	16
3.7	ELBOW VENT LENGTH VALUES	16
3.8	TOP EXIT HORIZONTAL TERMINATION	17
3.9	TOP EXIT HORIZONTAL TERMINATION	18
3.10	REAR EXIT HORIZONTAL TERMINATION	19
3.11	TOP OR REAR EXIT VERTICAL TERMINATION	21
4.0	INSTALLATION PREPARATION - MODEL GDS60-1	23
4.1	ORIFICE REPLACEMENT	23
4.2	CHANGING A TOP VENT TO A REAR VENT	24
5.0	INSTALLATION	25
5.1	MINIMUM CLEARANCE TO COMBUSTIBLES	25
5.2	WALL AND CEILING PROTECTION	26
5.2.1	HORIZONTAL INSTALLATION	26
5.2.2	VERTICAL INSTALLATION	27
5.2.3	HORIZONTAL AIR TERMINAL INSTALLATION - MODEL GDS60-1	28
5.2.4	VERTICAL AIR TERMINAL INSTALLATION - MODEL GDS60-1	29
5.3	APPLIANCE VENT CONNECTION - MODEL GDS60-1	30
5.4	VERTICAL THROUGH EXISTING CHIMNEY	31
5.5	MOBILE HOME INSTALLATION - MODEL GDS60-1	32
5.6	GAS INSTALLATION	32
5.7	OPTIONAL WALL SWITCH	32
5.8	NATURAL VENT SPECIFICS - MODEL GS60-1	33
5.8.1	CHIMNEY INSTALLATION	33
5.8.2	INSTALLING NATURAL VENT	34
5.8.3	NATURAL VENT	34
5.8.4	COMBUSTION AIR	34
5.8.5	ADDING VENT SECTIONS	35
5.8.6	INSTALLING FLASHING AND STORM COLLAR	36
6.0	FINISHING	37
6.1	FRONT CAST REMOVAL	37
6.2	SAFETY BARRIER INSTALLATION AND REMOVAL	37
6.3	GLASS DOOR INSTALLATION AND REMOVAL	37
6.4	GLASS / DOOR REPLACEMENT	38
6.5	LOG PLACEMENT	38
6.6	LOGO PLACEMENT	39
6.7	SWITCH AND BRACKET INSTALLATION	40
7.0	OPTIONAL BLOWER INSTALLATION	41
8.0	WIRING DIAGRAM	42
9.0	OPERATION	43
9.1	OPERATING INSTRUCTIONS	43
9.2	OPERATING INSTRUCTIONS - FOR YOUR SAFETY READ BEFORE OPERATING	44
9.3	LIGHTING INSTRUCTIONS	44
10.0	ADJUSTMENT	45
10.1	PILOT BURNER ADJUSTMENT	45
10.2	VENTURI ADJUSTMENT	45
10.3	FLAME CHARACTERISTICS	45
10.4	RESTRICTING VERTICAL VENTS - MODEL GDS60-1P	46
11.0	MAINTENANCE	46
11.1	ANNUAL MAINTENANCE	47
11.2	CARE OF GLASS	47
12.0	REPLACEMENTS	48
13.0	OVERVIEW	49
14.0	ACCESSORIES	50
15.0	VALVE TRAIN ASSEMBLY	51
16.0	VENTING	52
17.0	TROUBLESHOOTING	53
18.0	WARRANTY	56
19.0	SERVICE HISTORY	57
20.0	NOTES	58

NOTE: Changes, other than editorial, are denoted by a vertical line in the margin.

1.0 INSTALLATION OVERVIEW

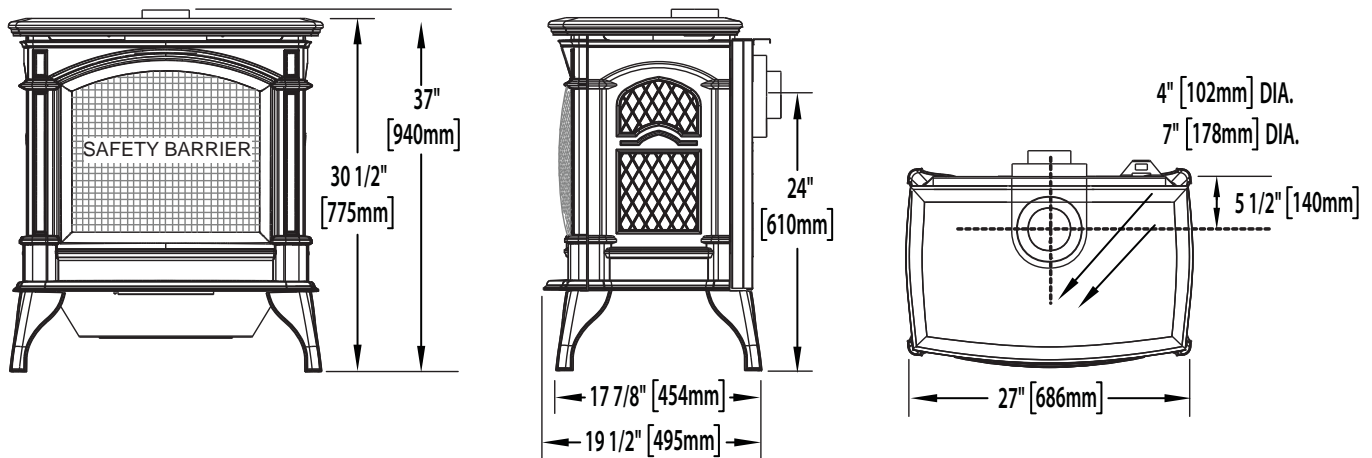


2.0 INTRODUCTION

WARNING

- **THIS APPLIANCE IS HOT WHEN OPERATED AND CAN CAUSE SEVERE BURNS IF CONTACTED.**
- **ANY CHANGES TO THIS APPLIANCE OR IT'S CONTROLS CAN BE DANGEROUS AND IS PROHIBITED.**
- Do not operate appliance before reading and understanding operating instructions. Failure to operate appliance according to operating instructions could cause fire or injury.
- Risk of fire or asphyxiation do not operate appliance with fixed glass removed.
- Do not connect 110 volts to the control valve.
- Risk of burns. The appliance should be turned off and cooled before servicing.
- Do not install damaged, incomplete or substitute components.
- Risk of cuts and abrasions. Wear protective gloves and safety glasses during installation. Sheet metal edges may be sharp.
- Do not burn wood or other materials in this appliance.
- **Children and adults should be alerted to the hazards of high surface temperature and should stay away to avoid burns or clothing ignition.**
- **Young children should be carefully supervised when they are in the same room as the appliance. Toddlers, young children and others may be susceptible to accidental contact burns. A physical barrier is recommended if there are at risk individuals in the house. To restrict access to an appliance or stove, install an adjustable safety gate to keep toddlers, young children and other at risk individuals out of the room and away from hot surfaces.**
- **Clothing or other flammable material should not be placed on or near the appliance.**
- **Due to high temperatures, the appliance should be located out of traffic and away from furniture and draperies.**
- Ensure you have incorporated adequate safety measure to protect infants/toddlers from touching hot surfaces.
- Even after the appliance is out, the glass and/or screen will remain hot for an extended period of time.
- Check with your local hearth specialty dealer for safety screens and hearth guards to protect children from hot surfaces. These screens and guards must be fastened to the floor.
- **Any safety screen, guard or barrier removed for servicing the appliance, must be replaced prior to operating the appliance.**
- The appliance is a vented gas-fired appliance. Do not burn wood or other materials in the appliance.
- The appliance area must be kept clear and free from combustible materials, gasoline and other flammable vapors and liquids.
- Under no circumstances should this appliance be modified.
- This appliance must not be connected to a chimney flue pipe serving a separate solid fuel burning appliance.
- Do not use this appliance if any part has been under water. Immediately call a qualified service technician to inspect the appliance and to replace any part of the control system and any gas control which has been under water.
- Do not operate the appliance with the glass door removed, cracked or broken. Replacement of the glass should be done by a licensed or qualified service person.
- Do not strike or slam shut the appliance glass door.
- When equipped with pressure relief doors, they must be kept closed while the appliance is operating to prevent exhaust fumes containing carbon monoxide, from entering into the home. Temperatures of the exhaust escaping through these openings can also cause the surrounding combustible materials to overheat and catch fire. Only doors / optional fronts certified with the unit are to be installed on the appliance.
- **Only doors / optional fronts certified with the unit are to be installed on the appliance.**
- Keep the packaging material out of reach of children and dispose of the material in a safe manner. As with all plastic bags, these are not toys and should be kept away from children and infants.
- As with any combustion appliance, we recommend having your appliance regularly inspected and serviced as well as having a Carbon Monoxide Detector installed in the same area to defend you and your family against Carbon Monoxide.
- Ensure clearances to combustibles are maintained when building a mantel or shelves above the appliance. Elevated temperatures on the wall or in the air above the appliance can cause melting, discolouration or damage to decorations, a T.V. or other electronic components.
- **A barrier designed to reduce the risk of burns from the hot viewing glass is provided with this appliance and shall be installed.**
- **If the barrier becomes damaged, the barrier shall be replaced with the manufacturer's barrier for this appliance.**
- **Installation and repair should be done by a qualified service person. The appliance should be inspected before use and at least annually by a professional service person. More frequent cleaning may be required due to excessive lint from carpeting, bedding material, etc. It is imperative that control compartments, burners and circulating air passageways of the appliance be kept clean.**
- This appliance uses and requires a fast acting thermocouple. Replace only with a fast acting thermocouple supplied by Wolf Steel Ltd.

2.1 DIMENSIONS



2.2 GENERAL INSTRUCTIONS

! WARNING
ALWAYS LIGHT THE PILOT WHETHER FOR THE FIRST TIME OR IF THE GAS SUPPLY HAS RUN OUT, WITH THE GLASS DOOR OPENED OR REMOVED.
PROVIDE ADEQUATE CLEARANCE FOR SERVICING AND OPERATING THE APPLIANCE.
PROVIDE ADEQUATE VENTILATION.
NEVER OBSTRUCT THE FRONT OPENING OF THE APPLIANCE.
OBJECTS PLACED IN FRONT OF THE APPLIANCE MUST BE KEPT A MINIMUM OF 48" (1219mm) FROM THE FRONT FACE OF THE APPLIANCE.
SURFACES AROUND AND ESPECIALLY ABOVE THE APPLIANCE CAN BECOME HOT. AVOID CONTACT WHEN THE APPLIANCE IS OPERATING.
FIRE RISK. EXPLOSION HAZARD.
HIGH PRESSURE WILL DAMAGE VALVE. DISCONNECT GAS SUPPLY PIPING BEFORE PRESSURE TESTING GAS LINE AT TEST PRESSURES ABOVE 1/2 PSIG. CLOSE THE MANUAL SHUT-OFF VALVE BEFORE PRESSURE TESTING GAS LINE AT TEST PRESSURES EQUAL TO OR LESS THAN 1/2 PSIG (35 mb).
USE ONLY WOLF STEEL APPROVED OPTIONAL ACCESSORIES AND REPLACEMENT PARTS WITH THIS APPLIANCE. USING NON-LISTED ACCESSORIES (BLOWERS, DOORS, LOUVRES, TRIMS, GAS COMPONENTS, VENTING COMPONENTS, ETC.) COULD RESULT IN A SAFETY HAZARD AND WILL VOID THE WARRANTY AND CERTIFICATION.

THIS GAS APPLIANCE SHOULD BE INSTALLED AND SERVICED BY A QUALIFIED INSTALLER to conform with local codes. Installation practices vary from region to region and it is important to know the specifics that apply to your area, for example in Massachusetts State:

- This product must be installed by a licensed plumber or gas fitter when installed within the commonwealth of Massachusetts.
- The appliance damper must be removed or welded in the open position prior to installation of an appliance insert or gas log.
- The appliance off valve must be a "T" handle gas cock.
- The flexible connector must not be longer than 36 inches (914mm).
- A Carbon Monoxide detector is required in all rooms containing gas fired appliances.
- The appliance is not approved for installation in a bedroom or bathroom unless the unit is a direct vent sealed combustion product.

The installation must conform with local codes or, in absence of local codes, the National Gas and Propane Installation Code CSA B149.1 in Canada, or the National Fuel Gas Code, ANSI Z223.1 / NFPA 54 in the United States. Suitable for mobile home installation if installed in accordance with the current standard CAN/CSA Z240MH Series, for gas equipped mobile homes, in Canada or ANSI Z223.1 and NFPA 54 in the United States.

As long as the required clearance to combustibles is maintained, the most desirable and beneficial location for an appliance is in the center of a building, thereby allowing the most efficient use of the heat created. The location of windows, doors and the traffic flow in the room where the appliance is to be located should be considered. If possible, you should choose a location where the vent will pass through the house without cutting a floor or roof joist.

If the appliance is installed directly on carpeting, vinyl tile or other combustible material other than wood flooring, the appliance shall be installed on a metal or wood panel extending the full width and depth.

Some appliances have optional fans or blowers. If an optional fan or blower is installed, the junction box must be electrically connected and grounded in accordance with local codes, use the current CSA C22.1 Canadian Electrical Code in Canada or the ANSI/NFPA 70 National Electrical code in the United States.

4.1B

When the appliance is installed directly on carpeting, vinyl tile or other combustible material other than wood flooring, the appliance shall be installed on a metal or wood panel extending the full width and depth.

The appliance, when installed with a blower, must be electrically connected and grounded in accordance with local codes. In the absence of local codes, use the current CSA C22.1 Canadian Electrical Code in Canada or the ANSI/NFPA 70-1996 National Electrical Code in the United States. The blower power cord must be connected into a properly grounded receptacle. The grounding prong must not be removed from the cord plug.

2.3 GENERAL INFORMATION

FOR YOUR SATISFACTION, THIS APPLIANCE HAS BEEN TEST-FIRED TO ASSURE ITS OPERATION AND QUALITY!

	GDS60-1		GS60-1	
	NG	LP	NG	LP
Altitude (FT)	0-4,500	0-4500	0-4500	0-4500
Max. Input (BTU/HR)	35,000 (Top vent) 21,000 (Rear vent only)	31,500 (Top vent) 21,000 (Rear vent only)	35,000	31,500
Max. Output (BTU/HR)	27,300	24,570	27,300	24,570
Max. Steady State Efficiency (w/the fan on)	78%	78%	78%	78%
Max. A.F.U.E.	72%	71%	72%	71%
Min. Inlet Gas Supply Pressure	4.5" (11mb) Water Column	11" (27mb) Water Column	4.5" (11mb) Water Column	11" (27mb) Water Column
Max. Inlet Gas Supply Pressure	7" (17mb) Water Column	13" (33mb) Water Column	7" (17mb) Water Column	13" (33mb) Water Column
Manifold Pressure (Under Flow Conditions)	3.5" (9mb) Water Column	10" (25mb) Water Column	3.5" (9mb) Water Column	10" (25mb) Water Column



When the appliance is installed at elevations above 4,500ft (1371m), and in the absence of specific recommendations from the local authority having jurisdiction, the certified high altitude input rating shall be reduced at the rate of 4% for each additional 1,000ft (305m).

Change in flame appearance from "HI" to "LO" is more evident in natural gas than in propane.


Expansion / contraction noises during heating up and cooling down cycles are normal and to be expected.

This appliance is only for use with the type of gas indicated on the rating plate. This appliance is not convertible for use with other gases, unless a certified kit is used.

GDS60-1 - This appliance is not approved for closet or recessed installations. It is approved for bathroom, bedroom and bed-sitting room installations. This appliance may be installed in an aftermarket permanently located, manufactured (mobile) home, where not prohibited by local codes. **(Rear vent)** This application requires changing the main burner orifice, for horizontal exits off the rear only.

GS60-1 - This appliance is approved for bedroom and bed-sitting room installations.

2.4 RATING PLATE INFORMATION



CONFORMS TO / CONFORME AUX: ANSI Z21.50-2014, CERTIFIED TO / CERTIFIE CSA 2.22-2014
VENTED GAS FIREPLACE / FOYER À GAZ VENTILÉ.

NOT FOR USE WITH SOLID FUEL
UN COMBUSTIBLE SOLIDE NE DOIT PAS ETRE UTILISE AVEC CET APPAREIL

MODEL CDVS600-1 APPROVED FOR BEDROOM, BATHROOM & BEDSITTING ROOM INSTALLATION. SUITABLE FOR MOBILE HOME INSTALLATION IF INSTALLED IN ACCORDANCE WITH THE CURRENT STANDARD CAN/CSA Z240MH SERIES GAS EQUIPPED MOBILE HOMES, IN CANADA OR IN THE UNITED STATES THE MANUFACTURED HOME CONSTRUCTION AND SAFETY STANDARD, TITLE 24 CFR, PART 3280. WHEN THIS US STANDARD IS NOT APPLICABLE USE THE STANDARD FOR FIRE SAFETY CRITERIA FOR MANUFACTURED HOME INSTALLATIONS, SITES AND COMMUNITIES, ANS/NFPA 501A. FOR USE WITH BARRIER W010-3296. FOLLOW THE INSTALLATION INSTRUCTIONS LOCATED IN THE INSTALLATION MANUAL.
HOMOLOGUE POUR INSTALLATION DANS UNE CHAMBRE À COUCHER, UNE SALLE DE BAIN ET UN STUDIO. APPROPRIÉ POUR INSTALLATION DANS UNE MAISON MOBILE SI SON INSTALLATION CONFORME AUX EXIGENCES DE LA NORME CAN/CSA Z240MH SERIE DE MAISONS MOBILES EQUIPEES AU GAZ. EN VIGUEUR AU CANADA OU AUX ETATS-UNIS DE LA NORME DE SECURITE ET DE CONSTRUCTION DE MAISONS MANUFACTUREES, TITRE 24 CFR, SECTION 3280. DANS LE CAS OU CETTE NORME D'ETATS-UNIS NE PEUT ETRE APPLIQUEE, SE REFERER A LA NORME RELATIVE AU CRITERE DE MESURES DE SECURITE CONTRE L'INCENDIE POUR LES INSTALLATIONS DANS LES MAISONS MANUFACTUREES, LES SITES ET LES COMMUNAUTES, ANS/NFPA 501A. POUR UNE UTILISER AVEC BARRIERE W010-3296. SUIVEZ LES INSTRUCTIONS D'INSTALLATION SE TROUVENT DANS LE MANUEL D'INSTALLATION.

MODEL NATURAL GAS/GAZ NATURAL
DIRECT VENT

9700539 (WLS) Intertek 4001659 (WUSA)
4001658 (NAC) 4001657 (NGZ)

MODEL B-VENT

GS60-1N
CDVS600-1N

TOP VENT	REAR VENT
0-4500	0-4500
35,000	*21,000
21,000	21,000
24,500	*14,700

MODEL PROPANE/PROPANE MODÈLE

GS60-1P
CS600-1P

TOP VENT	REAR VENT
0-4500	0-4500
31,500	*21,000
22,000	*13,000
22,050	*14,700

ALTITUDE (FT/PT) ELEVATION
INPUT (BTU/H) ALIMENTATION
REDUCED INPUT (BTU/H) ALIMENTATION REDUITE
OUTPUT (BTU/H) RENDEMENT

63.1%
P4

*WHEN VENTING OFF THE REAR OF THE UNIT AND TERMINATING HORIZONTALLY

MANIFOLD PRESSURE: 3.5 INCHES W.C. (NG) / 10 INCHES W.C. (LP)
PRESSION AU COLLECTEUR: 3.5" (GN) / 10" (PG) D'UNE COLONNE D'EAU
MIN SUPPLY PRESSURE: 4.5" W.C. (NG) / 11" (LP)
PRESSION D'ALIMENTATION MIN: 4.5" (GN) / 11" (PG) D'UNE COLONNE D'EAU
MAX. SUPPLY PRESSURE: 7" W.C. (NG) / 13" W.C. (LP)
PRESSION D'ALIMENTATION MAX: 7" (GN) / 13" (PG) D'UNE COLONNE D'EAU
FOR USE WITH GLASS DOORS CERTIFIED WITH THIS UNIT ONLY
UTILISER AVEC LES PORTES VITREES HOMOLOGUEES SEULEMENT AVEC CETTE UNITE.

WARNING: DO NOT ADD ANY MATERIAL TO THE APPLIANCE, WHICH WILL COME IN CONTACT WITH THE FLAMES, OTHER THAN THAT SUPPLIED BY THE MANUFACTURER WITH THE APPLIANCE.
DECORATIVE PRODUCT. NOT FOR USE AS A HEATING APPLIANCE.
OPTIONAL BLOWER KIT / ENSEMBLE DE VENTILATEUR FACULTATIF: GS64-KIT

AVERTISSEMENT: N'AJOUTEZ PAS A CET APPAREIL AUCUN MATERIEL DEVANT ENTRER EN CONTACT AVEC LES FLAMMES AUTRE QUE CELUI QUI EST FOURNI AVEC CET APPAREIL PAR LE FABRICANT.
PRODUIT DECORATIF. NE PAS L'UTILISER COMME APPAREIL DE CHAUFFAGE.
MINIMUM CLEARANCE TO COMBUSTIBLE MATERIAL / DEGAGEMENTS MINIMAUX DES MATERIAUX COMBUSTIBLES.

6" (A)
6" (B)
2" (C)

20" TO CEILING FROM STOVE TOP
1" TO DIRECT VENT AND B-VENT / L'EVACUATION DIRECTE & LEVACUATION B
6" TO C-VENT / A L'EVACUATION C
20" ENTRE LE DESSUS DU FOYER ET LE PLAFOND
ELECTRICAL RATING/CLASS: 115V 1.5AMP 60HZ

MODEL CS600-1 APPROVED FOR BEDROOM, & BEDSITTING ROOM INSTALLATION. HOMOLOGUE POUR INSTALLATION DANS UNE CHAMBRE A COUCHER, & UN STUDIO. THIS APPLIANCE MUST BE INSTALLED USING AN ADAPTER KIT GS-150KT. CET APPAREIL DOIT ETRE INSTALLE EN UTILISANT UN ENSEMBLE ADAPTATEUR GS-150KT.

WOLF STEEL LTD.
24 NAPOLEON ROAD, BARRIE, ON L4M 0G8 CANADA

SERIAL NUMBER
NO. DE SERIE **GDS60-1**

W385-1961

INSTALLER: It is your responsibility to check off the appropriate box on the rating plate according to the model, venting and gas type of the unit.

For rating plate location, see "INSTALLATION OVERVIEW" section.

This illustration is for reference only. Refer to the rating plate on the appliance for accurate information.

NOTE: The rating plate must remain with the appliance at all times. It must not be removed.

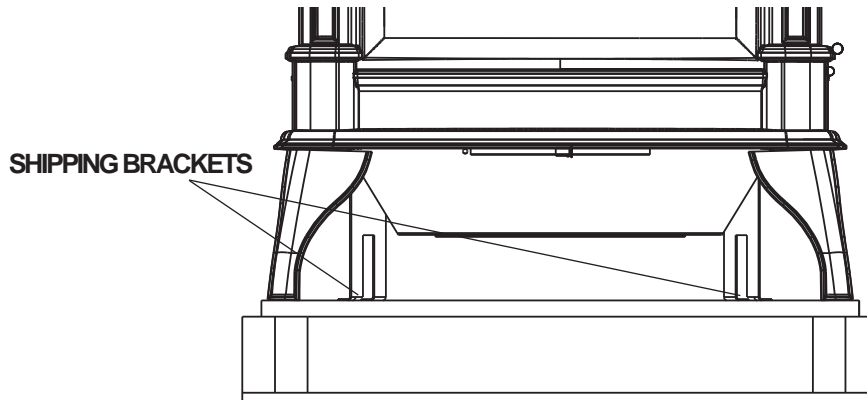
A barrier designed to reduce the risk of burns from the hot viewing glass is provided with the appliance and shall be installed.

! WARNING

THE TOP CASTING IS NOT FASTENED TO THE STOVE ASSEMBLY. IT SIMPLY SITS ON THE STOVE AS A LID. FOR SHIPPING PURPOSES IT IS HELD IN PLACE BY PLASTIC STRAPPING. ONCE THE STRAPPING IS CUT, THE TOP SHOULD BE LIFTED OFF CAREFULLY AND STORED IN A SAFE PLACE TO AVOID DAMAGE WHILE COMPLETING THE INSTALLATION OF THE STOVE. TO AVOID THE APPLIANCE BEING DAMAGED DURING SHIPPING, A SHIPPING BRACKET HAS BEEN USED AND MUST BE UNBOLTED BEFORE THE APPLIANCE CAN BE INSTALLED.

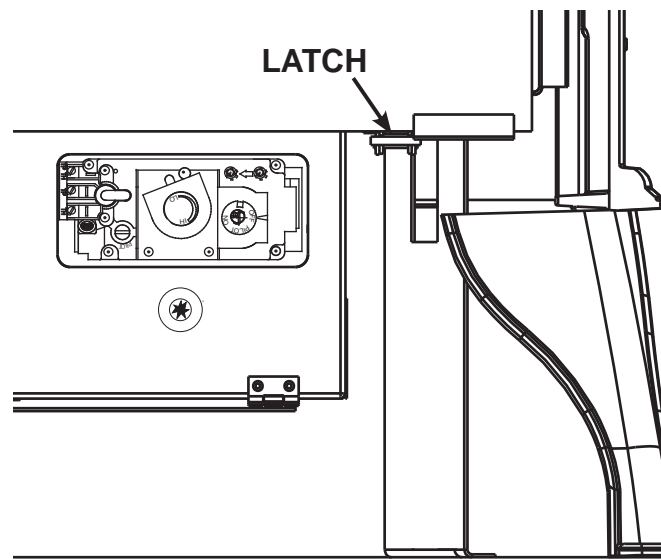
SHIPPING BRACKET REMOVAL

- A. Remove the four screws holding the shipping bracket to the bottom of the appliance, see illustration below.
- B. Lift the appliance off the skid and set on a flat surface.
- C. Discard the screws, brackets and skid.



GLASS DOOR REMOVAL

- A. Lift the top casting off.
- B. Open the valve control cover. Pull the latch handles forward to release, see illustration below for latch location. The door may now be safely removed by swinging the bottom out and lifting it off.



3.0 DIRECT VENTING - MODEL GDS60-1

WARNING

RISK OF FIRE, MAINTAIN SPECIFIED AIR SPACE CLEARANCES TO VENT PIPE AND APPLIANCE.

IF VENTING IS INCLUDED WITH SPACERS THE VENT SYSTEM MUST BE SUPPORTED EVERY 3FT (0.9m) FOR BOTH VERTICAL AND HORIZONTAL RUNS. USE SUPPORTS OR EQUIVALENT NON-COMBUSTIBLE STRAPPING TO MAINTAIN THE REQUIRED CLEARANCE FROM COMBUSTIBLES. USE WOLF STEEL LTD. SUPPORT RING ASSEMBLY W010-0370 OR EQUIVALENT NON-COMBUSTIBLE STRAPPING TO MAINTAIN THE MINIMUM CLEARANCE TO COMBUSTIBLES FOR BOTH VERTICAL AND HORIZONTAL RUNS. SPACERS ARE ATTACHED TO THE INNER PIPE AT PREDETERMINED INTERVALS TO MAINTAIN AN EVEN AIR GAP TO THE OUTER PIPE. THIS GAP IS REQUIRED FOR SAFE OPERATION. A SPACER IS REQUIRED AT THE START, MIDDLE AND END OF EACH ELBOW TO ENSURE THIS GAP IS MAINTAINED. THESE SPACERS MUST NOT BE REMOVED.

**THIS APPLIANCE USES A 4" (102mm) EXHAUST / 7" (178mm) AIR INTAKE VENT PIPE SYSTEM.
Refer to the section applicable to your installation.**

For safe and proper operation of the appliance follow the venting instruction exactly. Deviation from the minimum vertical vent length can create difficulty in burner start-up and/or carboning. Under extreme vent configurations, allow several minutes (5-15) for the flame to stabilize after ignition. Although not a requirement, it is recommended for vent lengths that pass through unheated spaces (attics, garages, crawl spaces) be insulated with the insulation wrapped in a protective sleeve to minimize condensation. Provide a means for visually checking the vent connection to the appliance after the appliance is installed. Use a firestop, vent pipe shield or attic insulation shield when penetrating interior walls, floor or ceiling.

NOTE: If for any reason the vent air intake system is disassembled; reinstall per the instructions provided for the initial installation.

7.1C

A terminal shall not terminate directly above a sidewalk or paved driveway which is located between two single family dwellings and serves both dwellings. Local codes or regulations may require different clearances.

Do not allow the inside liner to bunch up on horizontal or vertical runs and elbows. Keep it pulled tight. A 1" (25mm) - 1/4" (6mm) air gap all around between the inner liner and outer appliance pipe is required for safe operation. Use a firestop when penetrating interior walls, floor or ceiling.

Use only Wolf Steel, Simpson Dura-Vent, Selkirk Direct Temp or American Metal Amerivent venting components. Minimum and maximum vent lengths, for both horizontal and vertical installations, and air terminal locations for either systems are set out in this manual and must be adhered to.

3.1 VENTING LENGTHS AND COMPONENTS

Use only Wolf Steel, Simpson Dura-Vent, Selkirk Direct Temp, American Metal Amerivent or Metal-Fab venting components. Minimum and maximum vent lengths, for both horizontal and vertical installations, and air terminal locations for either system are set out in this manual and must be adhered to. For Simpson Dura-Vent, Selkirk Direct Temp, American Metal Amerivent and Metal-Fab follow the installation procedure provided with the venting components.

A starter adaptor must be used with the following vent systems and may be purchased from the corresponding supplier:

PART	4"/7" (102mm/ 178mm)	SUPPLIER	WEBSITE
Duravent	GDS924N	Wolf Steel	www.duravent.com
Amerivent	4DSC-N2	American Metal	www.americanmetalproducts.com
Direct Temp	4DT-AAN	Selkirk	www.selkirkcorp.com
SuperSeal	4DNA	Metal-Fab	www.mtlfab.com

*** For Simpson Dura-Vent, Selkirk Direct Temp, American Metal Amerivent and Metal-Fab follow the installation procedure found on the website for your venting supplier.**

For vent systems that provide seals on the inner exhaust flue, only the outer air intake joints must be sealed using a red high temperature silicone (RTV). This same sealant may be used on both the inner exhaust and outer intake vent pipe joints of all other approved vent systems except for the exhaust vent pipe connection to the appliance flue collar which must be sealed using the black high temperature sealant Mill Pac.

When using Wolf Steel venting components, use only approved Wolf Steel termination kits: wall terminal kit **GD175** (7/12' of venting included), or 1/12 to 7/12 pitch roof terminal kit **GD110**, 8/12 to 12/12 roof terminal kit **GD111**, flat roof terminal kit **GD112** or periscope kit **GD180** (for wall penetration below grade) in conjunction with the appropriate venting components.

For optimum flame appearance and appliance operation, keep the vent length and number of elbows to a minimum. It is recommended that all horizontal runs have a minimum 1/4" (6.4mm) rise per foot /meter. The air terminal must remain unobstructed at all times. Examine the air terminal at least once a year to verify that it is unobstructed and undamaged. Rigid and flexible venting systems must not be combined. Different venting manufacturers components must not be combined.

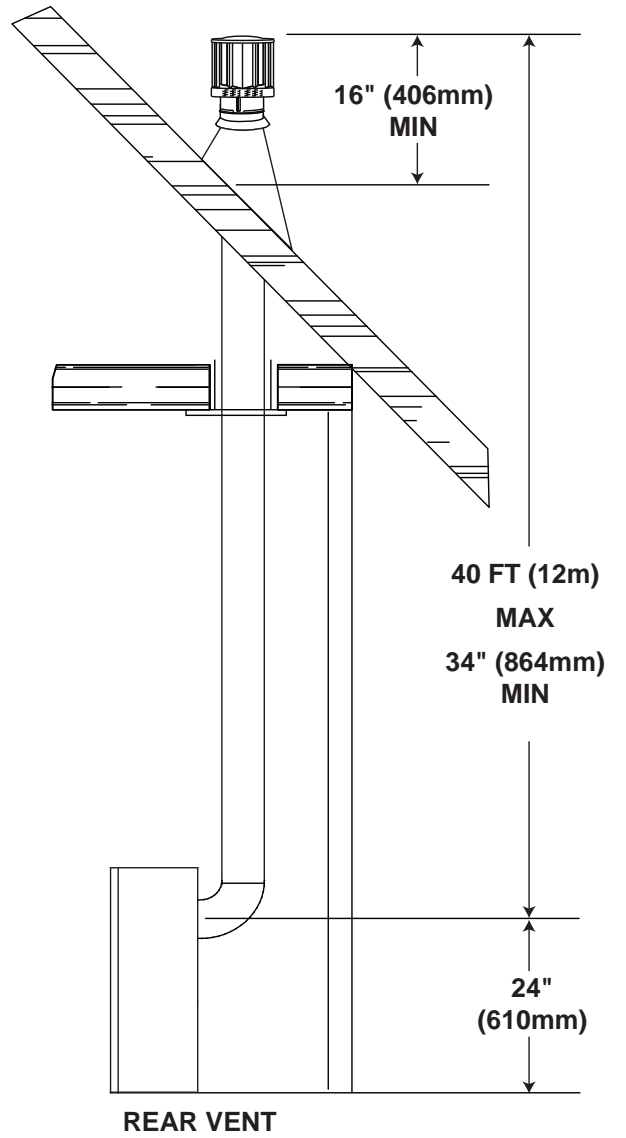
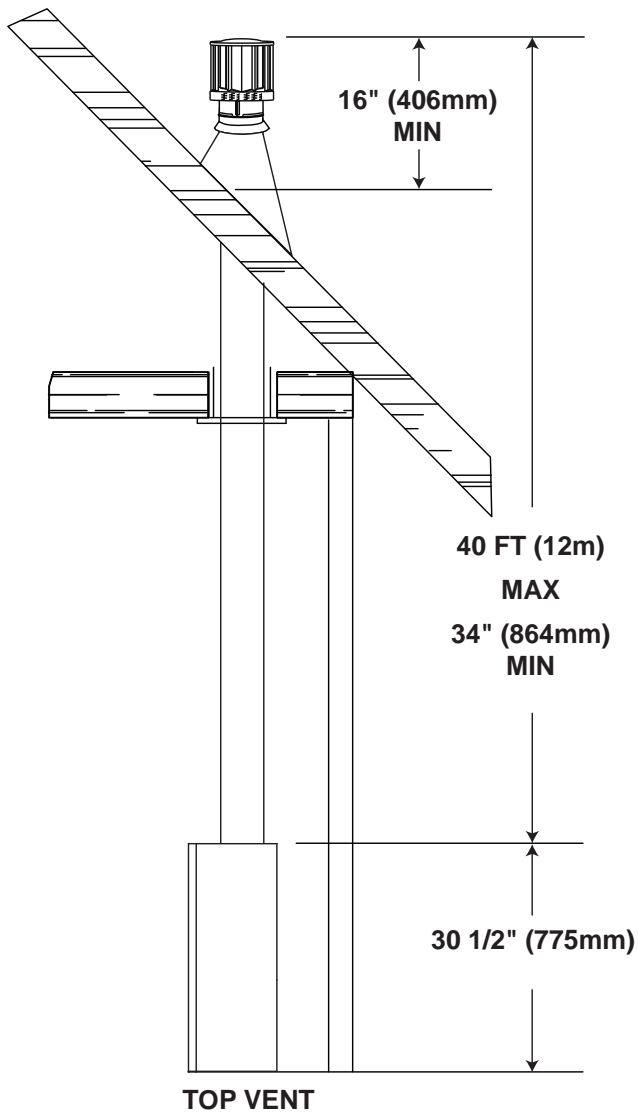
These vent kits allow for either horizontal or vertical venting of the appliance. The maximum allowable horizontal run is 20 feet (6m). The maximum allowable vertical vent length is 40 feet (12m). The maximum number of vent connections is two horizontally or three vertically (excluding the appliance and the air terminal connections) when using flexible venting.

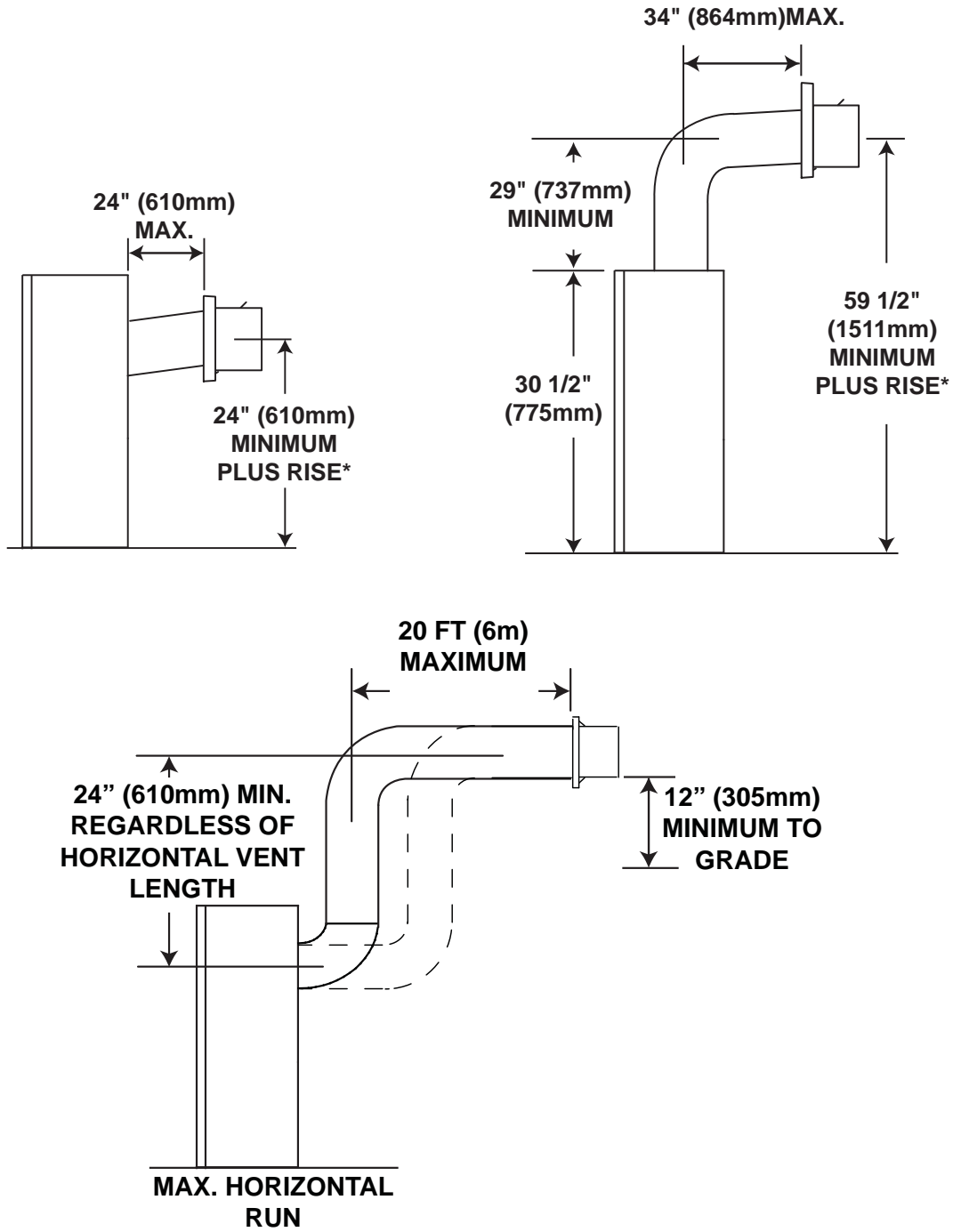
Deviation from the minimum vertical vent length can create difficulty in burner start-up and/or carboning. Use an adjustable pipe as the final length of rigid piping to the stove for ease of installation.

8.5A

3.2 TYPICAL VENT INSTALLATIONS

EN



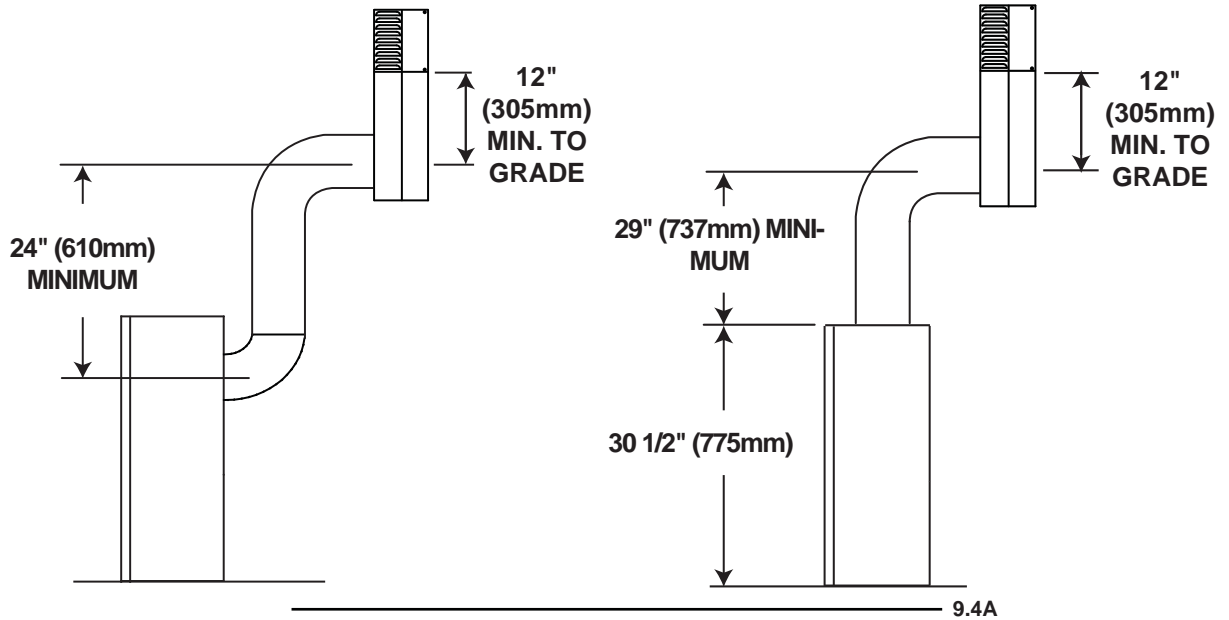


* See "VENTING" section.

3.3 SPECIAL VENT INSTALLATIONS

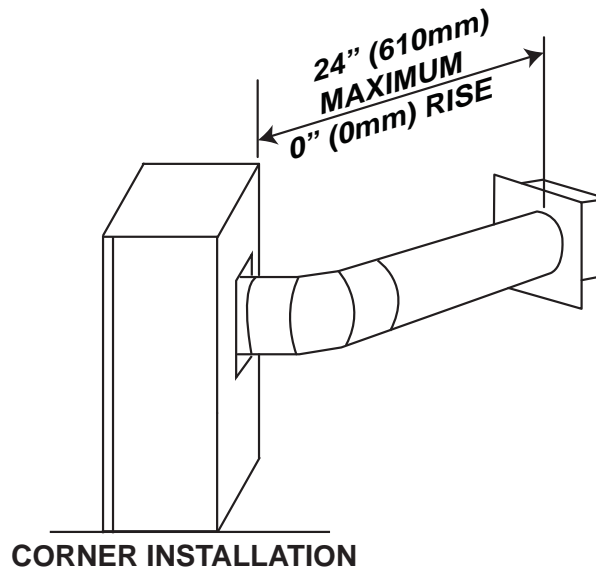
3.3.1 PERISCOPE TERMINATION

Use the periscope kit to locate the air termination above grade. The periscope must be installed so that when final grading is completed, the bottom air slot is located a minimum 12" (304.8mm) above grade. The maximum allowable vent length is 10' (3.1m) for a fireplace and 8' (2.4m) for a stove.



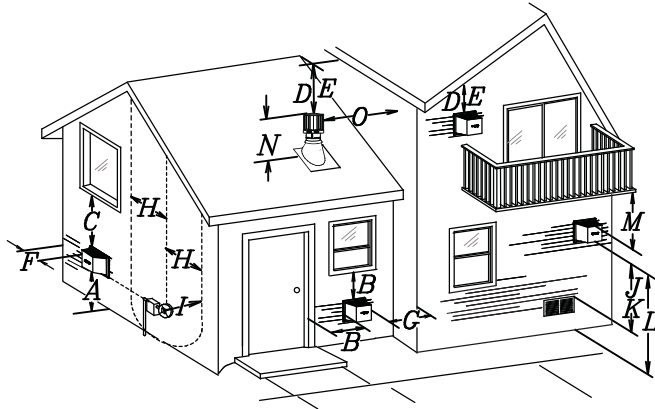
3.3.2 CORNER TERMINATION

The maximum vent length for a corner installation is 24" (609.6mm).

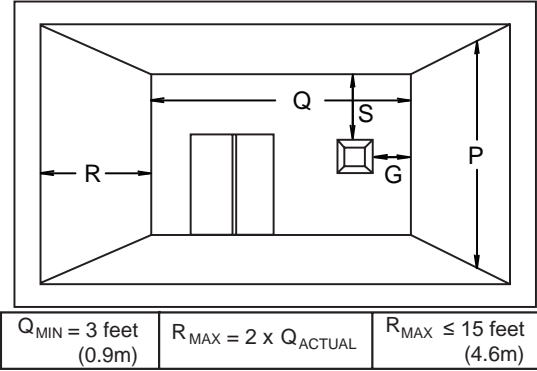


3.4 VENT TERMINAL CLEARANCES

EN



COVERED BALCONY APPLICATIONS ††*



INSTALLATIONS			
	CANADA	U.S.A.	
A	12" (305mm)	12" (305mm)	Clearance above grade, veranda porch, deck or balcony.
B	12" (305mm) ^Δ	9" (229mm) ^Δ	Clearance to windows or doors that open.
C	12" (305mm)*	12" (305mm) *	Clearance to permanently closed windows.
D	18" (457mm)**	18" (457mm)**	Vertical clearance to ventilated soffits located above the terminal within a horizontal distance of 2' (0.6m) from the center line of the terminal.
E	12" (305mm)**	12" (305mm)**	Clearance to unventilated soffit.
F	0" (0mm)	0" (0mm)	Clearance to an outside corner wall.
G	0" (0mm)***	0" (0mm)***	Clearance to an inside non-combustible corner wall or protruding non-combustible obstructions (chimney, etc.).
	2" (51mm)***	2" (51mm)***	Clearance to an inside combustible corner wall or protruding combustible obstructions (vent chase, etc.).
H	3' (0.9m)	3' (0.9m)****	Clearance to each side of the center line extended above the meter / regulator assembly to a maximum vertical distance of 15' (4.6m).
I	3' (0.9m)	3' (0.9m)****	Clearance to a service regulator vent outlet.
J	12" (305mm)	9" (229mm)	Clearance to a non-mechanical air supply inlet to the building or a combustion air inlet to any other appliance.
K	6' (1.8m)	3' (0.9m) †	Clearance to a mechanical air supply inlet.
L	7' (2.1m) ‡	7' (2.1m) ****	Clearance above a paved sidewalk or paved driveway located on public property.
M	12" (305mm)††	12" (305mm)****	Clearance under a veranda, porch or deck.
N	16" (406mm)	16" (406mm)	Clearance above the roof.
O	2' (0.6m)†*	2' (0.6m) †*	Clearance from an adjacent wall including neighbouring buildings.
P	8' (2.4m)	8' (2.4m)	Roof must be non-combustible without openings.
Q	3' (0.9m)	3' (0.9m)	See chart for wider wall dimensions.
R	6' (1.8m)	6' (1.8m)	See chart for deeper wall dimensions. The terminal shall not be installed on any wall that has an opening between the terminal and the open side of the structure.
S	12" (305mm)	12" (305mm)	Clearance under a covered balcony

Δ The terminal shall not be located less than 6 feet under a window that opens on a horizontal plane in a structure with three walls and a roof.

* Recommended to prevent condensation on windows and thermal breakage

** It is recommended to use a heat shield and to maximize the distance to vinyl clad soffits.

*** The periscope requires a minimum 18 inches clearance from an inside corner.

**** This is a recommended distance. For additional requirements check local codes.

† 3 feet above if within 10 feet horizontally.

‡ A vent shall not terminate where it may cause hazardous frost or ice accumulations on adjacent property surfaces.

†† Permitted only if the veranda, porch, or deck is fully open on a minimum of two sides beneath the floor.

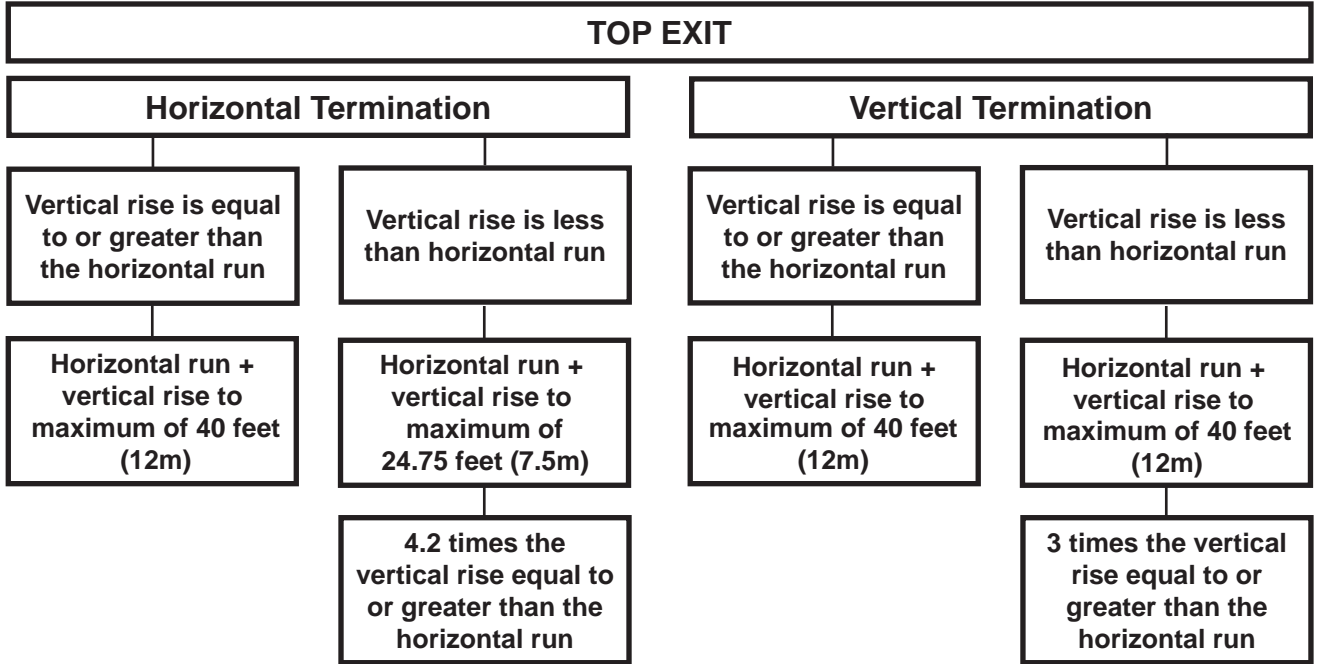
†* Recommended to prevent recirculation of exhaust products. For additional requirements check local codes.

††* Permitted only if the balcony is fully open on a minimum of one side.

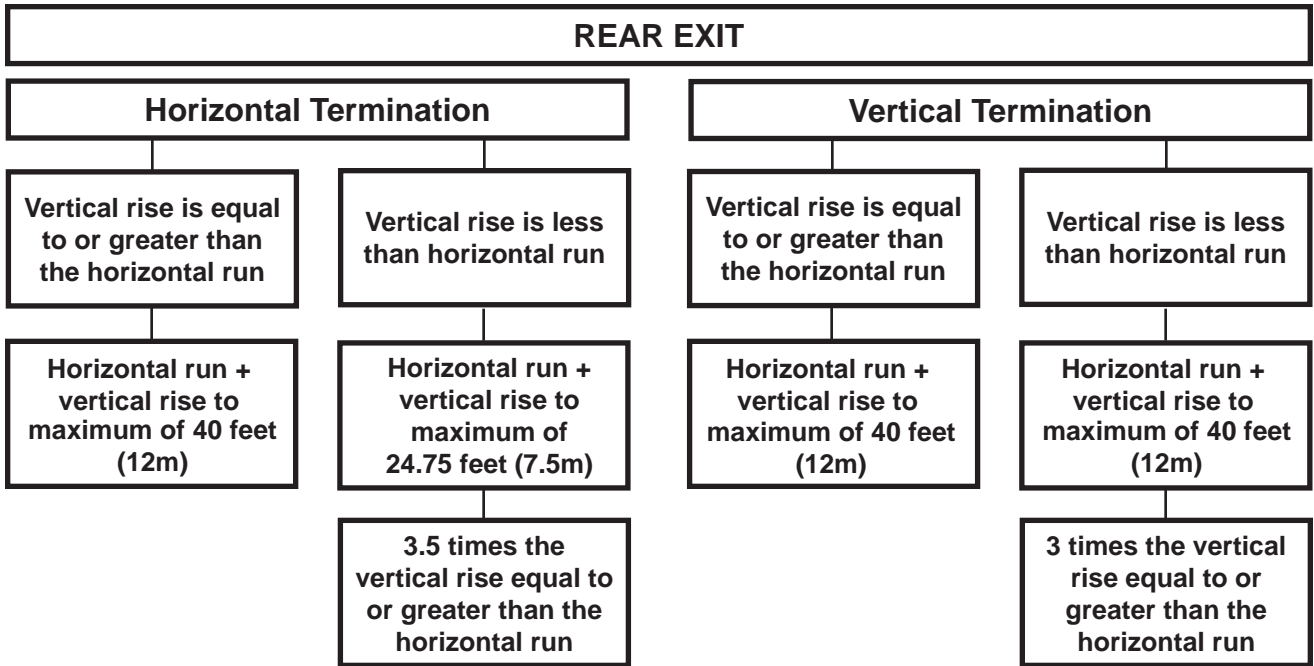
NOTE: Clearances are in accordance with local installation codes and the requirements of the gas supplier.

3.5 VENTING APPLICATION FLOW CHART

EN



13.1A



13.2A

3.6 DEFINITIONS

For the following symbols used in the venting calculations and examples are:

> - greater than

≥ - equal to or greater than

< - less than

≤ - equal to or less than

H_T - total of both horizontal vent lengths (H_r) and offsets (H_o) in feet

H_R - combined horizontal vent lengths in feet

H_O - offset factor: .03 (total degrees of offset - 90°*) in feet

V_T - combined vertical vent lengths in feet

 14.1

3.7 ELBOW VENT LENGTH VALUES

	<u>FEET</u>	<u>INCHES</u>	<u>MILLIMETERS</u>
1°	0.03	0.5	12.7
15°	0.45	6.0	152.4
30°	0.9	11.0	279.4
45°	1.35	16.0	406.4
90°*	2.7	32.0	812.8

* The first 90° offset has a zero value and is shown in the formula as - 90°

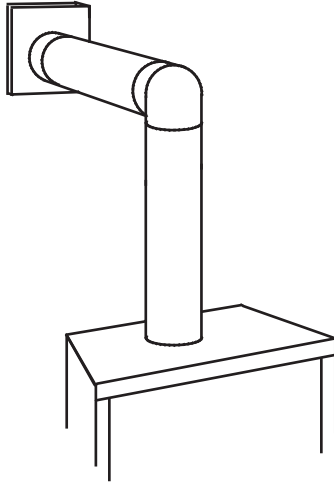
 15.1A

3.8 TOP EXIT HORIZONTAL TERMINATION

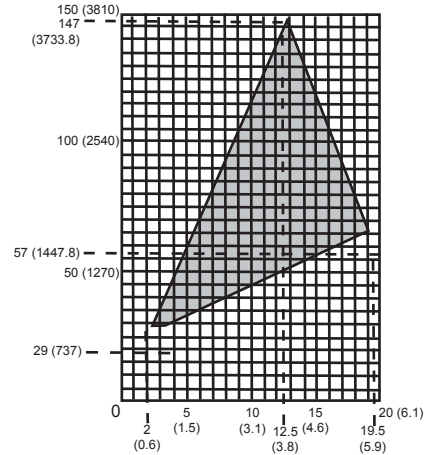
$$(H_T) > (V_T)$$

Simple venting configuration (only one 90° elbow)

See graph to determine the required vertical rise V_T for the required horizontal run H_T .



REQUIRED VERTICAL RISE IN INCHES (MILLIMETERS) V_T



HORIZONTAL VENT RUN PLUS OFFSET IN FEET (METERS) H_T

The shaded area within the lines represents acceptable values for H_T and V_T

For vent configurations requiring more than one 90° elbow, the following formulas apply:

Formula 1: $H_T \leq 4.2 V_T$

Formula 2: $H_T + V_T \leq 24.75$ feet (7.5m)

Example:

$V_1 = V_T = 6$ FT (1.8m)

$H_1 = 3$ FT (0.9m)

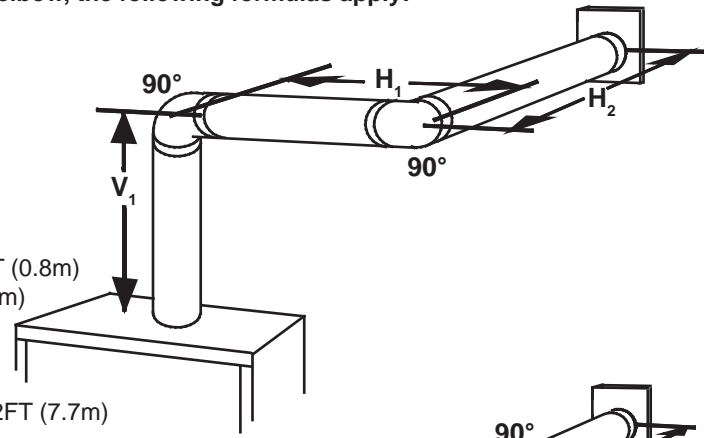
$H_2 = 5$ FT (1.5m)

$H_R = H_1 + H_2 = 3$ FT (0.9m) + 5 FT (1.5m) = 8 FT (2.4m)

$H_O = .03$ (two 90° elbows - 90°) = .03 (180° - 90°) = 2.7 FT (0.8m)

$H_T = H_R + H_O = 8$ FT (2.4m) + 2.7 FT (0.8m) = 10.7 FT (3.3m)

$H_T + V_T = 10.7$ FT (3.3m) + 6 FT (1.8m) = 16.7 FT (5.1m)



Formula 1: $H_T \leq 4.2 V_T$

$4.2 V_T = 4.2$ FT (1.3m) x 6 FT (1.8m) = 25.2 FT (7.7m)

10.7 FT (3.3m) \leq 25.2 FT (7.7m)

Formula 2: $H_T + V_T \leq 24.75$ FT (7.5m)

16.7 FT (5.1m) \leq 24.75 (7.5m)

Since both formulas are met, this vent configuration is acceptable.

Example:

$V_1 = 4$ FT (1.2m)

$V_2 = 1.5$ FT (0.5m)

$V_T = V_1 + V_2 = 4$ FT (1.2m) + 1.5 FT (0.5m) = 5.5 FT (1.7m)

$H_1 = 2$ FT (0.6m)

$H_2 = 1$ FT (0.3m)

$H_3 = 1$ FT (0.3m)

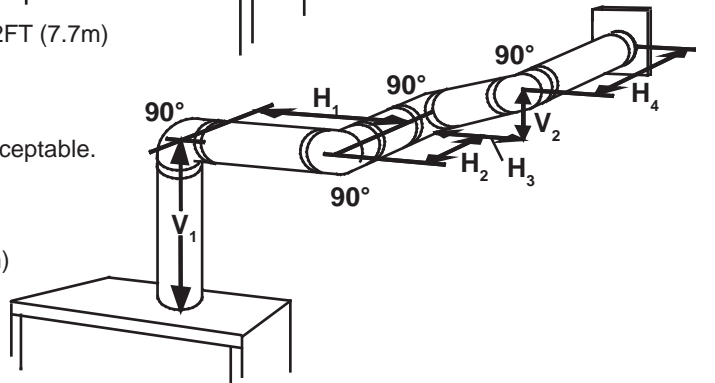
$H_4 = 1.5$ FT (0.5m)

$H_R = H_1 + H_2 + H_3 + H_4 = 2$ FT (0.6m) + 1 FT (0.3m) + 1 FT (0.3m) + 1.5 FT (0.5m) = 5.5 FT (1.7m)

$H_O = .03$ (four 90° elbows - 90°) = .03 (360° - 90°) = 8.1 FT (2.5m)

$H_T = H_R + H_O = 5.5$ FT (1.7m) + 8.1 FT (2.5m) = 13.6 FT (4.2m)

$H_T + V_T = 13.6$ FT (4.2m) + 5.5 FT (1.7m) = 19.1 FT (5.8m)



Formula 1:

$H_T \leq 4.2 V_T$

$4.2 V_T = 4.2$ FT (1.3m) x 5.5 FT (1.7m) = 23.1 FT (7m)

13.6 FT (4.2m) \leq 23.1 FT (7m)

Formula 2:

$H_T + V_T \leq 24.75$ FT (7.5m)

19.1 FT (5.8m) \leq 24.75 FT (7.5m)

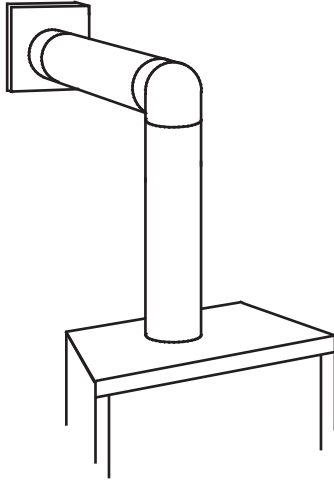
Since both formulas are met, this vent configuration is acceptable.

3.9 TOP EXIT HORIZONTAL TERMINATION

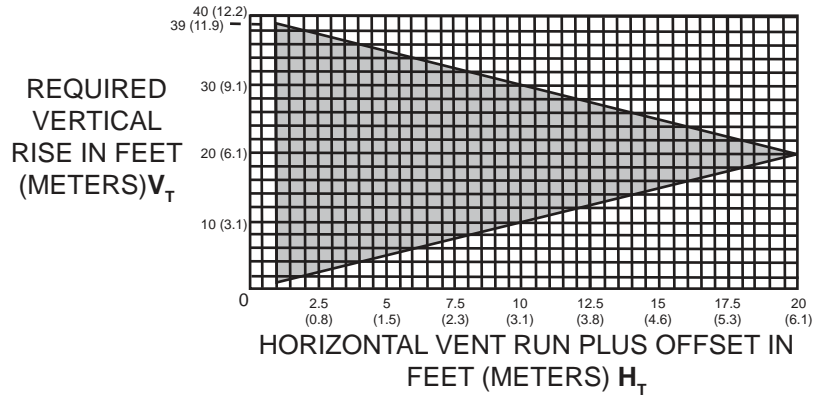
EN

$(H_T) \leq (V_T)$

Simple venting configuration (only one 90° elbow)



See graph to determine the required vertical rise V_T for the required horizontal run H_T



The shaded area within the lines represents acceptable values for H_T and V_T

For vent configurations requiring more than one 90° elbow, the following formulas apply:

Formula 1: $H_T \leq V_T$

Formula 2: $H_T + V_T \leq 40 \text{ feet (12.2m)}$

Example:

$V_1 = 3 \text{ FT (0.9m)}$

$V_2 = 8 \text{ FT (2.4m)}$

$V_T = V_1 + V_2 = 3 \text{ FT (0.9m)} + 8 \text{ FT (2.4m)} = 11 \text{ FT (3.4m)}$

$H_1 = 2.5 \text{ FT (0.8m)}$

$H_2 = 2 \text{ FT (0.6m)}$

$H_R = H_1 + H_2 = 2.5 \text{ FT (0.8m)} + 2 \text{ FT (0.6m)} = 4.5 \text{ FT (1.4m)}$

$H_O = .03 \text{ (three } 90^\circ \text{ elbows - } 90^\circ) = .03 \text{ (} 270^\circ - 90^\circ) = 5.4 \text{ FT (1.7m)}$

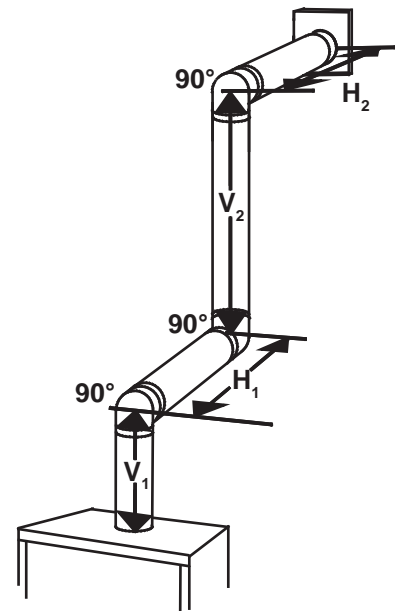
$H_T = H_R + H_O = 4.5 \text{ FT (1.4m)} + 5.4 \text{ FT (1.6m)} = 9.9 \text{ FT (3m)}$

$H_T + V_T = 9.9 \text{ FT (3m)} + 11 \text{ FT (3.4m)} = 20.9 \text{ FT (6.4m)}$

Formula 1: $H_T \leq V_T$
 $9.9 \text{ FT (3m)} \leq 11 \text{ FT (3.4m)}$

Formula 2: $H_T + V_T \leq 40 \text{ FT (12.2m)}$
 $20.9 \text{ FT (6.4m)} \leq 40 \text{ FT (12.2m)}$

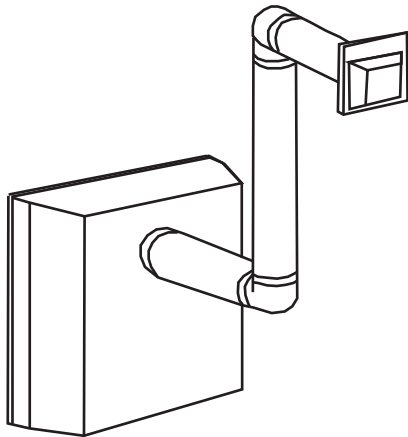
Since both formulas are met, this vent configuration is acceptable.



16.1B

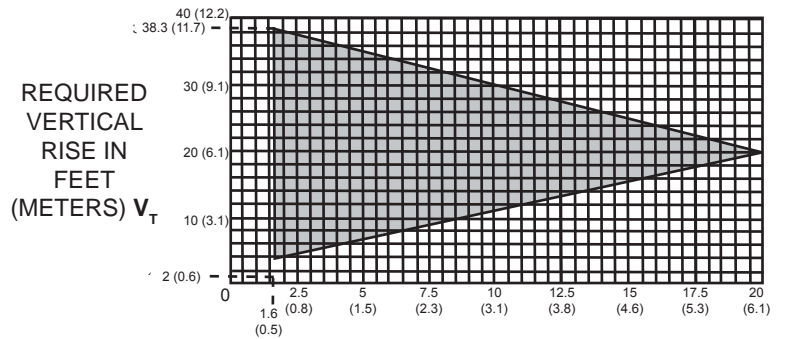
3.10 REAR EXIT HORIZONTAL TERMINATION

**Simple venting configuration
(only two 90° elbows)**



$$(H_T) \leq (V_T)$$

See graph to determine the required vertical rise V_T for the required horizontal run H_T .



HORIZONTAL VENT RUN PLUS OFFSET IN FEET (METERS) H_T
The shaded area within the lines represents acceptable values for H_T and V_T

For vent configurations requiring more than two 90° elbows, the following formulas apply:

Formula 1: $H_T \leq V_T$

Formula 2: $H_T + V_T \leq 40 \text{ feet (12.2m)}$

Example:

$V_1 = 9 \text{ FT (2.7m)}$

$V_2 = 6 \text{ FT (1.8m)}$

$V_T = V_1 + V_2 = 9\text{FT (2.7m)} + 6\text{FT (1.8m)} = 15\text{FT (4.6m)}$

$H_1 = 3 \text{ FT (0.9m)}$

$H_2 = 2 \text{ FT (0.6m)}$

$H_3 = 1.5 \text{ FT (0.5m)}$

$H_R = H_1 + H_2 + H_3 = 3\text{FT (0.9m)} + 2\text{FT (0.6m)} + 1.5\text{FT (0.5m)} = 6.5\text{FT (2m)}$

$H_O = .03 (\text{four } 90^\circ \text{ elbows} - 90^\circ) = .03 (360^\circ - 90^\circ) = 8.1 \text{ FT (2.5m)}$

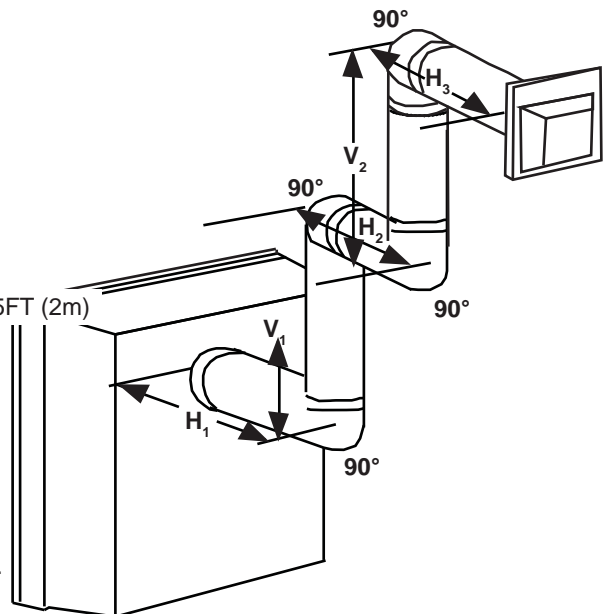
$H_T = H_R + H_O = 6.5\text{FT (2m)} + 8.1\text{FT (2.5m)} = 14.6\text{FT (4.5m)}$

$H_T + V_T = 14.6\text{FT (4.5m)} + 15\text{FT (4.6m)} = 29.6 \text{ FT (9m)}$

Formula 1: $H_T \leq V_T$
 $14.6 \text{ FT (4.5m)} \leq 15 \text{ FT (4.6m)}$

Formula 2: $H_T + V_T \leq 40 \text{ FT (12.2m)}$
 $29.6 \text{ FT (9m)} \leq 40 \text{ FT (12.2m)}$

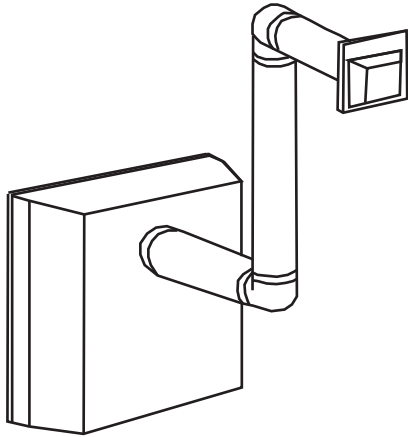
Since both formulas are met, this vent configuration is acceptable.



16.3A

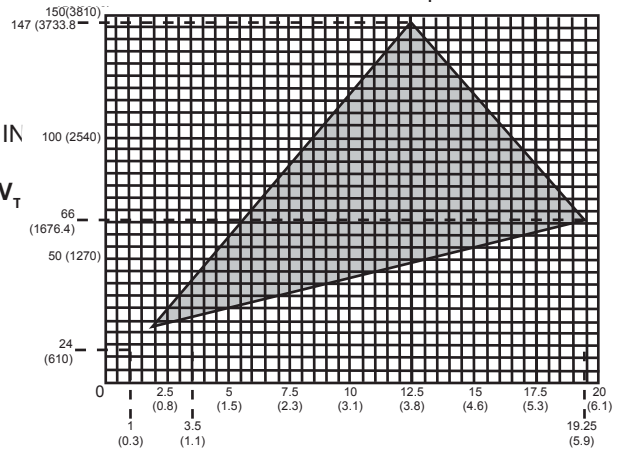
$$(H_T) > (V_T)$$

**Simple venting configuration
(only two 90° elbows)**



See graph to determine the required vertical rise V_T for the required horizontal run H_T .

REQUIRED VERTICAL RISE IN INCHES (MILLIMETERS) V_T



HORIZONTAL VENT RUN PLUS OFFSET IN FEET (METERS) H_T
The shaded area within the lines represents acceptable values for H_T and V_T

For vent configurations requiring more than two 90° elbows, the following formulas apply:

Formula 1: $H_T \leq 3.5V_T$

Formula 2: $H_T + V_T \leq 24.75 \text{ feet (7.5m)}$

Example:

$V_1 = 4 \text{ FT (1.2m)}$

$V_2 = 1.5 \text{ FT (0.5m)}$

$V_T = V_1 + V_2 = 4\text{ FT (1.2m)} + 1.5\text{ FT (0.5m)} = 5.5 \text{ FT (1.7m)}$

$H_1 = 2 \text{ FT (0.6m)}$

$H_2 = 1 \text{ FT (0.3m)}$

$H_3 = 1 \text{ FT (0.3m)}$

$H_4 = 1.5 \text{ FT (0.5m)}$

$H_R = H_1 + H_2 + H_3 + H_4 = 2\text{ FT (0.6m)} + 1\text{ FT (0.3m)} + 1\text{ FT (0.3m)} + 1.5\text{ FT (0.5m)} = 5.5 \text{ FT (1.7m)}$

$H_O = .03$ (four 90° elbows + one 45° elbow - 90°)

$= .03 (90 + 90 + 90 + 90 + 45 - 90) = 9.45 \text{ FT (2.9m)}$

$H_T = H_R + H_O = 5.5\text{ FT (1.7m)} + 9.45\text{ FT (2.9m)} = 14.95\text{ FT (4.6m)}$

$H_T + V_T = 14.95\text{ FT (4.6m)} + 5.5\text{ FT (1.7m)} = 20.45\text{ FT (6.2m)}$

Formula 1: $H_T \leq 3.5V_T$

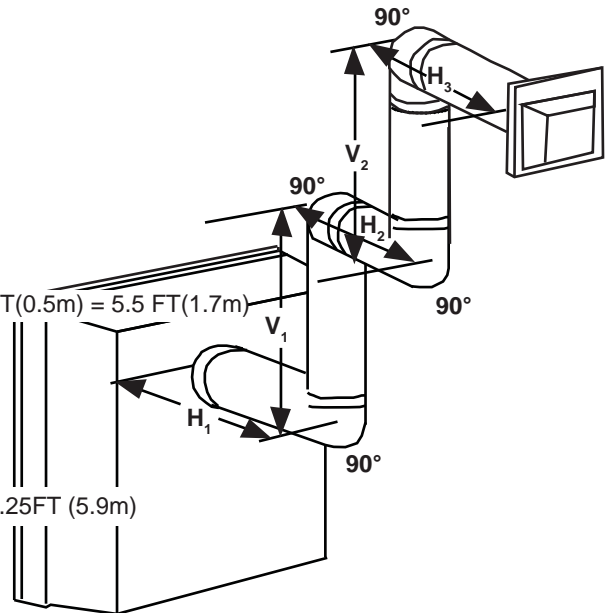
$3.5V_T = 3.5\text{ FT (1.1m)} \times 5.5\text{ FT (1.7m)} = 19.25\text{ FT (5.9m)}$

$14.95 \text{ FT (4.6m)} \leq 19.25 \text{ FT (5.9m)}$

Formula 2: $H_T + V_T \leq 24.75 \text{ FT (7.5m)}$

$20.45 \text{ FT (6.2m)} \leq 24.75 \text{ FT (7.5m)}$

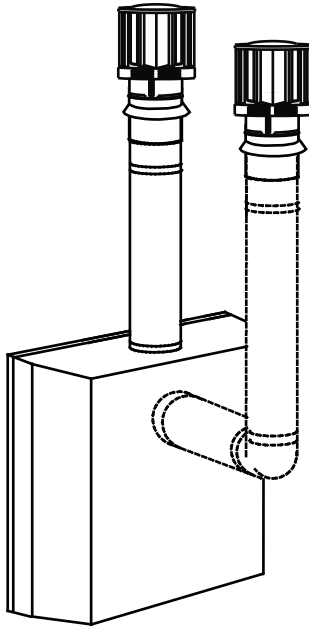
Since both formulas are met, this vent configuration is acceptable.



3.11 TOP OR REAR EXIT VERTICAL TERMINATION

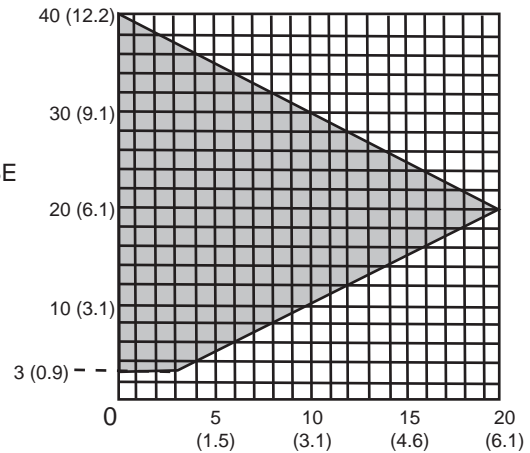
$$(H_T) \leq (V_T)$$

Simple venting configurations.



See graph to determine the required vertical rise V_T for the required horizontal run H_T .

REQUIRED VERTICAL RISE IN FEET (METERS) V_T



HORIZONTAL VENT RUN PLUS OFFSET IN FEET (METERS) H_T

The shaded area within the lines represents acceptable values for H_T and V_T

For vent configurations requiring one or more 90° elbows (top exit) or one or more 90° elbows (rear exit), the following formulas apply:

Formula 1: $H_T \leq V_T$

Formula 2: $H_T + V_T \leq 40 \text{ feet (12.2m)}$

Example:

$V_1 = 5 \text{ FT (1.5m)}$

$V_2 = 6 \text{ FT (1.8m)}$

$V_3 = 10 \text{ FT (3.1m)}$

$V_T = V_1 + V_2 + V_3 = 5\text{FT (1.5m)} + 6\text{FT (1.8m)} + 10\text{FT (3.1m)} = 21 \text{ FT (6.4m)}$

$H_1 = 8 \text{ FT (2.4m)}$

$H_2 = 2.5 \text{ FT (0.8m)}$

$H_R = H_1 + H_2 = 8\text{FT (2.4m)} + 2.5\text{FT (0.8m)} = 10.5\text{FT (3.2m)}$

$H_O = .03 \text{ (four } 90^\circ \text{ elbows} - 90^\circ)$

$= .03 (360^\circ - 90^\circ) = 8.1 \text{ FT (2.5m)}$

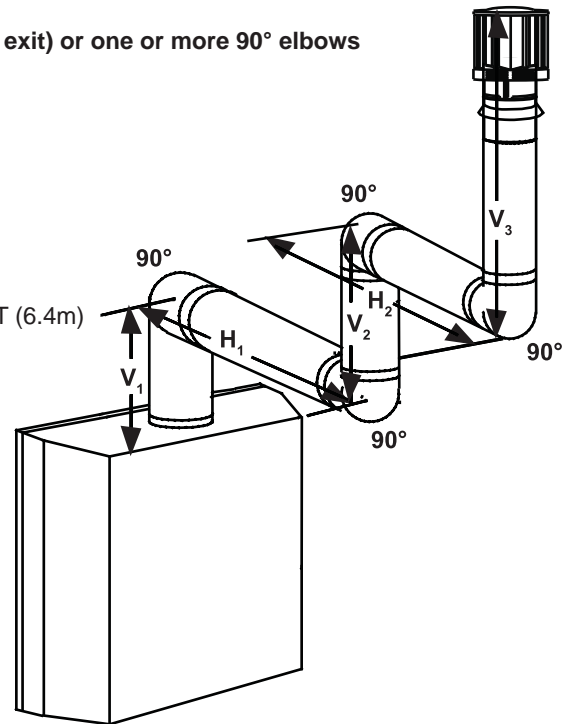
$H_T = H_R + H_O = 10.5\text{FT (3.2m)} + 8.1\text{FT (2.5m)} = 18.6\text{FT (5.7m)}$

$H_T + V_T = 18.6\text{FT (5.7m)} + 21\text{FT (6.4m)} = 39.6\text{FT (12.1m)}$

Formula 1: $H_T \leq 3.5V_T$
 $18.6 \text{ FT (5.7m)} \leq 21 \text{ FT (6.4m)}$

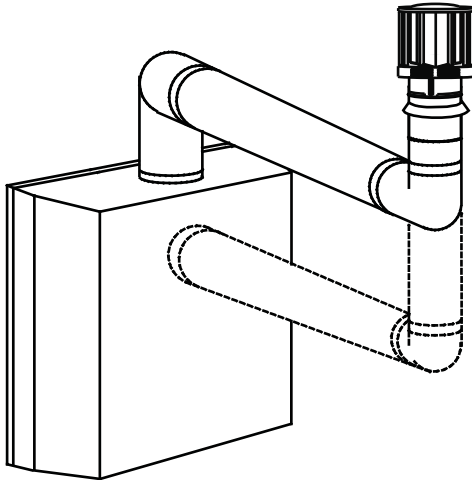
Formula 2: $H_T + V_T \leq 40 \text{ FT (12.2m)}$
 $39.6\text{FT (12.1m)} \leq 40 \text{ FT (12.2m)}$

Since both formulas are met, this vent configuration is acceptable.



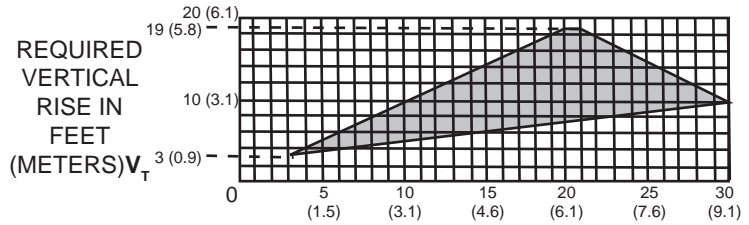
18.2A

Simple venting configurations.



$$(H_T) > (V_T)$$

See graph to determine the required vertical rise V_T for the required horizontal run H_T .



HORIZONTAL VENT RUN PLUS OFFSET IN FEET (METERS) H_T

The shaded area within the lines represents acceptable values for H_T and V_T

For vent configurations requiring more than two 90° elbows (top exit) or one 90° elbow (rear exit), the following formulas apply:

Formula 1: $H_T \leq 3 V_T$

Formula 2: $H_T + V_T \leq 40$ feet (12.2m)

Example:

$V_1 = 2$ FT (0.6m)

$V_2 = 1$ FT (0.3m)

$V_3 = 1.5$ FT (0.5m)

$V_T = V_1 + V_2 + V_3 = 2$ FT (0.6m) + 1 FT (0.3m) + 1.5 FT (0.5m) = 4.5 FT (1.4m)

$H_1 = 6$ FT (1.8m)

$H_2 = 2$ FT (0.6m)

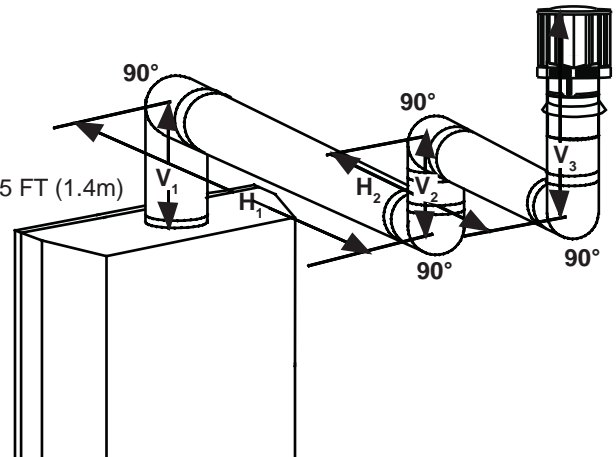
$H_R = H_1 + H_2 = 6$ FT (1.8m) + 2 FT (0.6m) = 8 FT (2.4m)

$H_O = .03$ (four 90° elbows - 90°)

= .03 (360° - 90°) = 8.1 FT (2.5m)

$H_T = H_R + H_O = 8$ FT (2.4m) + 8.1 FT (2.5m) = 16.1 FT (4.9m)

$H_T + V_T = 16.1$ FT (4.9m) + 4.5 FT (1.4m) = 20.6 FT (6.3m)



Formula 1: $H_T \leq 3.5 V_T$

$3.5 V_T = 3$ FT (0.9m) x 4.5 FT (1.4m) = 13.5 FT (4.1m)

16.1 FT (4.9m) \leq 13.5 FT (4.1m)

Since this formula is not met, this vent configuration is **unacceptable**.

Formula 2: $H_T + V_T \leq 40$ FT (12.2m)

16.1 FT (4.9m) \leq 13.5 FT (4.1m)

Since only formula 2 is met, this vent configuration is unacceptable and a new fireplace location or vent configuration will need to be established to satisfy both formulas.

Example:

$$V_1 = 1.5 \text{ FT (0.5m)}$$

$$V_2 = 5 \text{ FT (1.5m)}$$

$$V_T = V_1 + V_2 = 1.5\text{FT (0.5m)} + 5\text{FT (1.5m)} = 6.5 \text{ FT (2m)}$$

$$H_1 = 1 \text{ FT (0.3m)}$$

$$H_2 = 1 \text{ FT (0.3m)}$$

$$H_3 = 10.75 \text{ FT (3.3m)}$$

$$H_R = H_1 + H_2 + H_3 = 1\text{FT (0.3m)} + 1\text{FT (0.3m)} + 10.75\text{FT (3.3m)} = 12.75\text{FT (3.9m)}$$

$$H_o = .03 \text{ (four } 90^\circ \text{ elbows + one } 45^\circ \text{ elbow - } 90^\circ)$$

$$= .03 (360^\circ + 45^\circ - 90^\circ) = 6.75 \text{ FT (2.1m)}$$

$$H_T = H_R + H_o = 12.75\text{FT (3.9m)} + 6.75\text{FT (2.1m)} = 19.5 \text{ FT (5.9m)}$$

$$H_T + V_T = 19.5\text{FT (5.9m)} + 6.5\text{FT (2m)} = 26 \text{ FT (7.9m)}$$

Formula 1:

$$H_T \leq 3 V_T$$

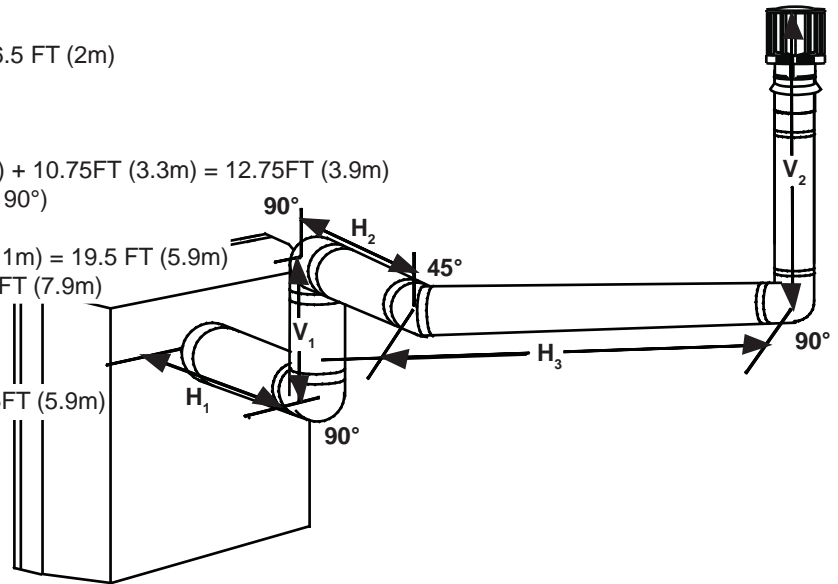
$$3 V_T = 3\text{FT (0.9m)} \times 6.5\text{FT (2m)} = 19.5\text{FT (5.9m)}$$

$$19.5\text{FT (5.9m)} = 19.5\text{FT (5.9m)}$$

Formula 2:

$$H_T + V_T \leq 40 \text{ FT (12.2m)}$$

$$26 \text{ FT (7.9m)} \leq 40 \text{ FT (12.2m)}$$



Since both formulas are met, this vent configuration is acceptable.

18.2_3A

4.0 INSTALLATION PREPARATION - MODEL GDS60-1

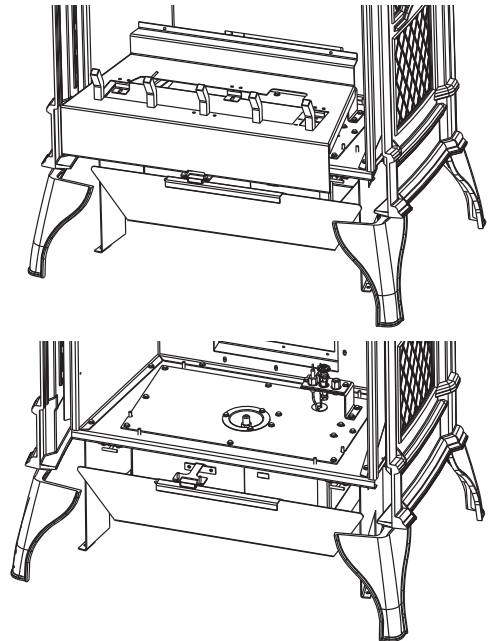
4.1 ORIFICE REPLACEMENT

REAR VENT TERMINATION:

In rear exit installations with no vertical vent run, the BTU input must be reduced to 21,000 BTU by changing the orifice (supplied), for horizontal exits off the rear only.

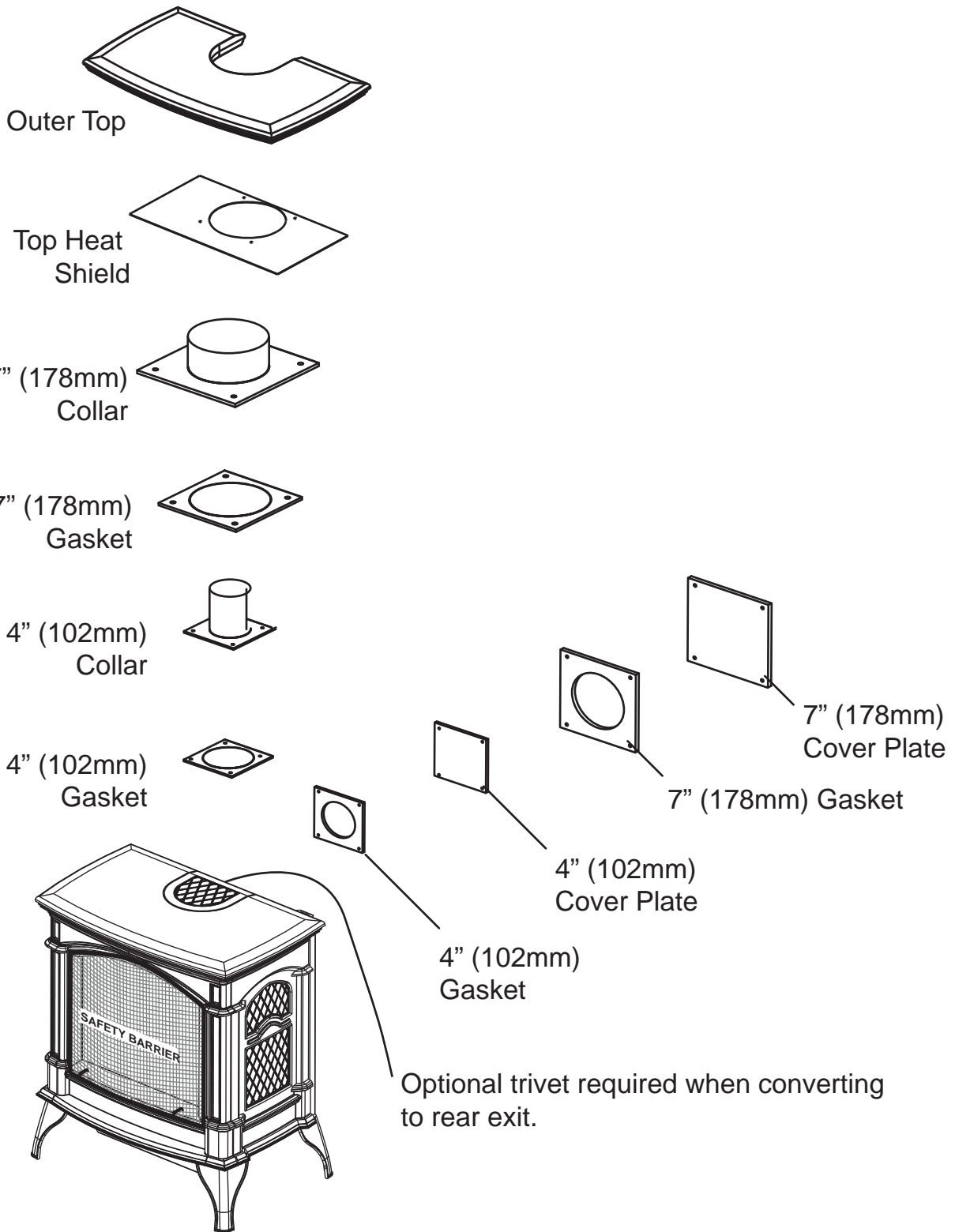
In order to access the orifice, the log support secured by two screws, must be removed.

Care should be taken not to damage the manifold gas pipe. When removing the orifice, using a socket wrench, a back-up wrench must be used on the manifold, located below the housing, to ensure that the aluminum tubing does not twist or kink.



4.2 CHANGING A TOP VENT TO A REAR VENT

In order to convert the venting configuration from a top exit to a rear exit, remove components as illustrated. When reinstalling in the alternate position: Check gaskets for tears, replace if necessary to ensure a proper seal.



5.0 INSTALLATION

! WARNING
ENSURE TO UNPACK ALL LOOSE MATERIALS FROM INSIDE THE FIREBOX PRIOR TO HOOKING UP THE GAS AND ELECTRICAL SUPPLY.
IF YOUR APPLIANCE IS SUPPLIED WITH A REMOTE ENSURE THE REMOTE RECEIVER IS IN THE "OFF" POSITION PRIOR TO HOOKING UP THE GAS AND ELECTRICAL SUPPLY TO THE APPLIANCE.
FOR SAFE AND PROPER OPERATION OF THE APPLIANCE, FOLLOW THE VENTING INSTRUCTIONS EXACTLY.
ALL INNER EXHAUST AND OUTER INTAKE VENT PIPE JOINTS MAY BE SEALED USING EITHER RED RTV HIGH TEMP SILICONE SEALANT W573-0002 (NOT SUPPLIED) OR BLACK HIGH TEMP MILL PAC W573-0007 (NOT SUPPLIED) WITH THE EXCEPTION OF THE APPLIANCE EXHAUST FLUE COLLAR WHICH MUST BE SEALED USING MILL PAC.
IF USING PIPE CLAMPS TO CONNECT VENT COMPONENTS, 3 SCREWS MUST ALSO BE USED TO ENSURE THE CONNECTION CANNOT SLIP OFF.
DO NOT CLAMP THE FLEXIBLE VENT PIPE.
RISK OF FIRE, EXPLOSION OR ASPHYXIATION. IMPROPER SUPPORT OF THE ENTIRE VENTING SYSTEM MAY ALLOW VENT TO SAG AND SEPARATE. USE VENT RUN SUPPORTS AND CONNECT VENT SECTIONS PER INSTALLATION INSTRUCTIONS.
RISK OF FIRE, DO NOT ALLOW LOOSE MATERIALS OR INSULATION TO TOUCH THE VENT PIPE. REMOVE INSULATION TO ALLOW FOR THE INSTALLATION OF THE ATTIC SHIELD AND TO MAINTAIN CLEARANCES TO COMBUSTIBLES.

68.2B

5.1 MINIMUM CLEARANCE TO COMBUSTIBLES

GDS60-1:

HORIZONTAL VENT SECTIONS: A minimum clearance of 2" (50.8mm) at the top and 1" (25.4mm) at the bottom and sides of the vent pipe on all horizontal runs is required.

VERTICAL VENT SECTIONS: A minimum of 1" (25.4mm) all around the vent pipe on all vertical runs to combustibles is required.

GS60-1:

A minimum of 1" (25.4mm) all around the B vent pipe on both horizontal and vertical runs to combustibles is required.

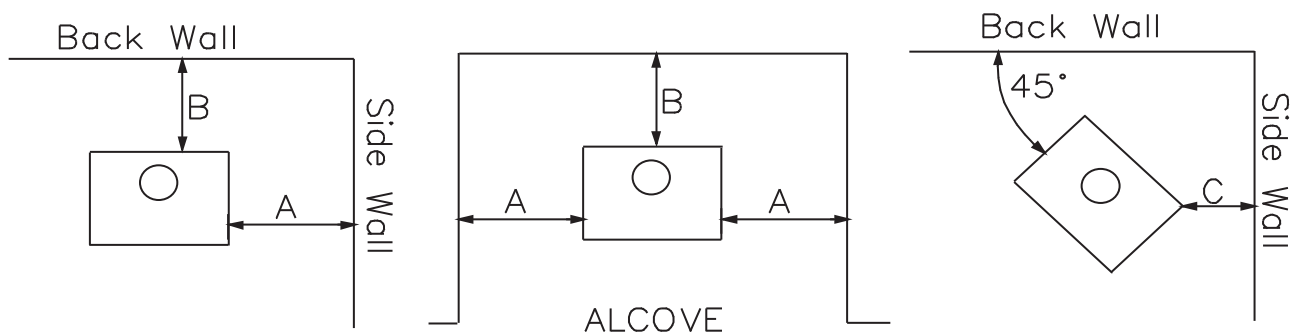
MAINTAIN THESE MINIMUM CLEARANCES TO COMBUSTIBLES:

A. 6" (152.4mm) **B.** 6" (152.4mm) **C.** 2" (50.8mm)*

Minimum 20" (508mm) from appliance top to ceiling.

6" (152.4mm) to single wall connector.

*At a distance of 2" (50.8mm) from the wall, access to the blower switch, on-off switch or the blower power cord may not be practical.



5.2 WALL AND CEILING PROTECTION

! WARNING

DO NOT FILL THE SPACE BETWEEN THE VENT PIPE AND ENCLOSURE WITH ANY TYPE OF MATERIAL. DO NOT PACK INSULATION OR COMBUSTIBLES BETWEEN CEILING FIRESTOPS. ALWAYS MAINTAIN SPECIFIED CLEARANCES AROUND VENTING AND FIRESTOP SYSTEMS. INSTALL WALL SHIELDS AND FIRESTOPS AS SPECIFIED. FAILURE TO KEEP INSULATION OR OTHER MATERIALS AWAY FROM VENT PIPE MAY CAUSE FIRE.

70.1

For optimum performance, it is recommended that all horizontal runs have a minimum 1/4" (6.4mm) rise per foot when venting. For safe and proper operation of the appliance, follow the venting instructions exactly.

5.2.1 HORIZONTAL INSTALLATION

! WARNING

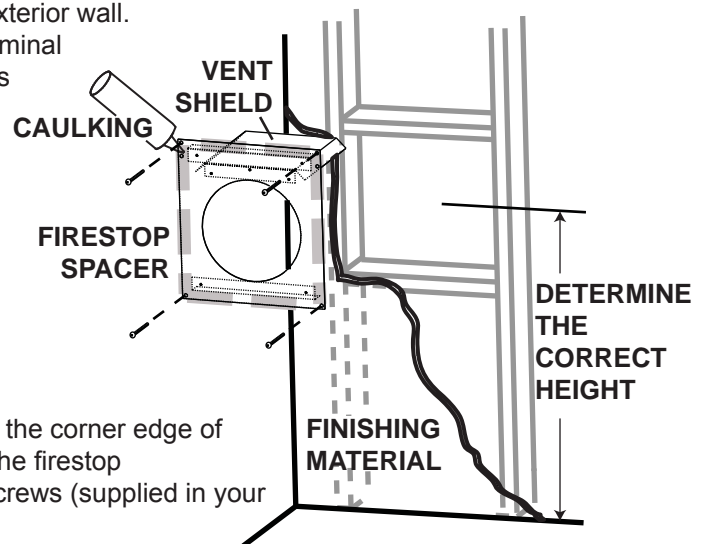
THE FIRESTOP ASSEMBLY MUST BE INSTALLED WITH THE VENT SHIELD TO THE TOP.

TERMINALS MUST NOT BE RECESSED INTO A WALL OR SIDING MORE THAN THE DEPTH OF THE RETURN FLANGE OF THE MOUNTING PLATE.

This application occurs when venting through an exterior wall. Having determined the correct height for the air terminal location, cut and frame a hole in the exterior wall as illustrated to accommodate the firestop assembly. Dry fit the firestop assembly before proceeding to ensure the brackets on the rear surface fit to the inside surface of the horizontal framing.

The length of the vent shield may be cut shorter for combustible walls that are less than 8 1/2" (215.9mm) thick but the vent shield must extend the full depth of the combustible wall.

- A. Apply a bead of caulking (not supplied) around the corner edge of the inside surface of the firestop assembly, fit the firestop assembly to the hole and secure using the 4 screws (supplied in your manual baggie).
- B. Once the vent pipe is installed in its final position, apply high temperature sealant W573-0007 (not supplied) between the pipe and the firestop.

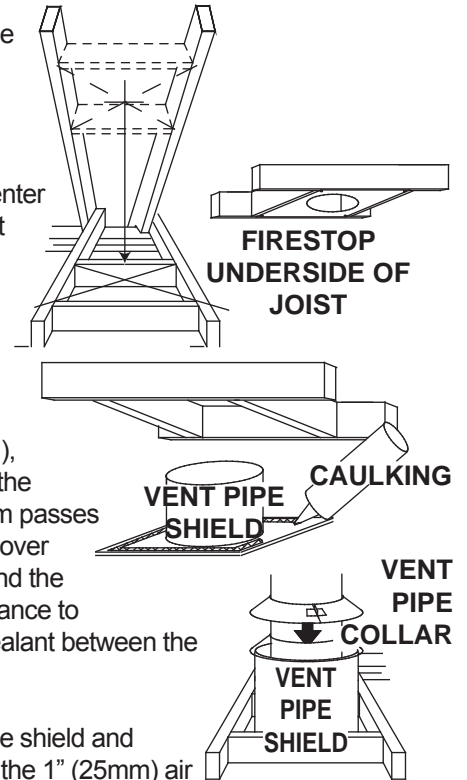


20.2A

5.2.2 VERTICAL INSTALLATION

This application occurs when venting through a roof. Installation kits for various roof pitches are available from your authorized dealer / distributor. See accessories to order specific kits required.

- A. Determine the air terminal location, cut and frame a square opening as illustrated in the ceiling and the roof to provide the minimum 1" (25mm) clearance between the vent pipe and any combustible material. Try to center the vent pipe location midway between two joists to prevent having to cut them. Use a plumb bob to line up the center of the openings. A vent pipe shield will prevent any materials such as insulation, from filling up the 1" (25mm) air space around the pipe. Nail headers between the joist for extra support.
- B. Apply a bead of caulking (not supplied) to the framework or to the Wolf Steel vent pipe shield plate or equivalent (in the case of a finished ceiling), and secure over the opening in the ceiling. A firestop must be placed on the bottom of each framed opening in a roof or ceiling that the venting system passes through. Apply a bead of caulking all around and place a firestop spacer over the vent shield to restrict cold air from being drawn into the room or around the fireplace. Ensure that both spacer and shield maintain the required clearance to combustibles. Once the vent pipe is installed in its final position, apply sealant between the pipe and the firestop assembly.
- C. In the attic, slide the vent pipe collar down to cover up the open end of the shield and tighten. This will prevent any materials, such as insulation, from filling up the 1" (25mm) air space around the pipe.



 21.1

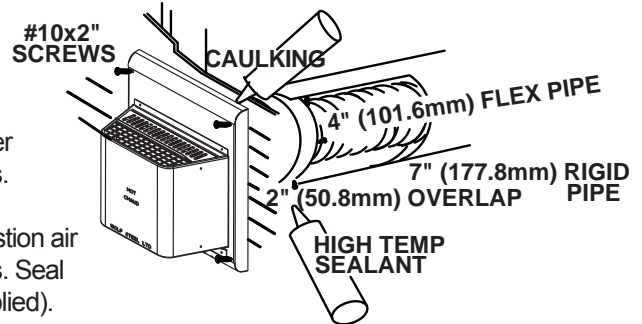
5.2.3 HORIZONTAL AIR TERMINAL INSTALLATION - MODEL GDS60-1

EN

! WARNING

TERMINALS MUST NOT BE RECESSED INTO A WALL OR SIDING MORE THAN THE DEPTH OF THE RETURN FLANGE OF THE MOUNTING PLATE.

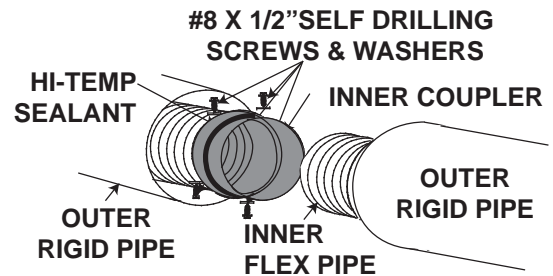
- A. Stretch the inner flex pipe to the required length taking into account the additional length needed for the finished wall surface. Apply a heavy bead of the high temperature sealant W573-0007 Mill Pac (not supplied) to the inner sleeve of the air terminal. Slip the vent pipe a minimum of 2" (50.8mm) over the inner sleeve of the air terminal and secure with 3 #8 screws.



- B. Using the outer rigid pipe, slide over the outer combustion air sleeve of the air terminal and secure with 3 #8 screws. Seal using high temperature sealant W573-0002 (not supplied).
- C. Insert the vent pipes through the firestop maintaining the required clearance to combustibles. Holding the air terminal (lettering in an upright, readable position), secure to the exterior wall and make weather tight by sealing with caulking (not supplied).

- D. From inside the house, using silicone, seal between the vent pipe and the firestop. Then slide the black trim collar over the vent pipe up to the firestop.

- E. If more vent pipe needs to be used to reach the appliance, couple them together as illustrated. The vent system must be supported approximately every 3 feet (0.9m) for both vertical and horizontal runs. Use noncombustible strapping to maintain the minimum clearance to combustibles.



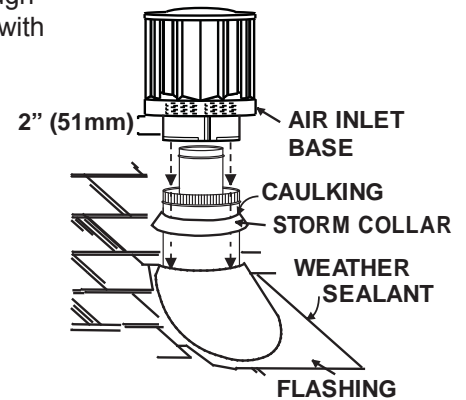
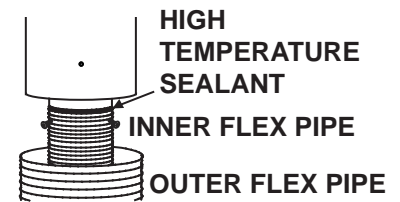
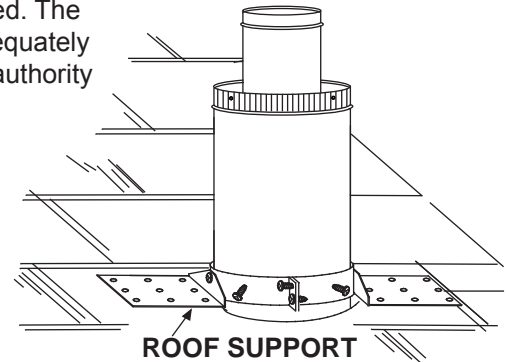
The air terminal mounting plate may be recessed into the exterior wall or siding no greater than the depth of its return flange.

23.7C

5.2.4 VERTICAL AIR TERMINAL INSTALLATION - MODEL GDS60-1

! WARNING**MAINTAIN A MINIMUM 2" (51mm) SPACE BETWEEN THE AIR INLET BASE AND THE STORM COLLAR.**

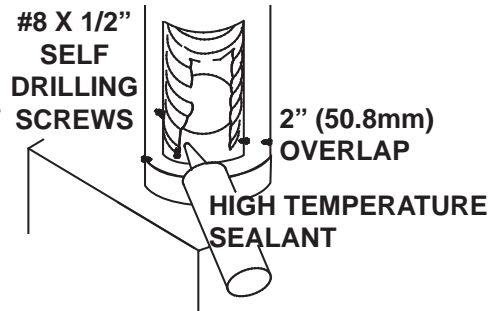
- A.** Fasten the roof support to the roof using the screws provided. The roof support is optional. In this case the venting is to be adequately supported using either an alternate method suitable to the authority having jurisdiction or the optional roof support.
- B.** Stretch the inner flex pipe to the required length. Slip the inner flex pipe a minimum of 2" (51mm) over the inner pipe of the air terminal connector and secure with 3 #8 screws. Seal using a heavy bead of high temperature sealant W573-0007 (not supplied).
- C.** Repeat using the outer flex pipe, using a heavy bead of high temperature sealant W573-0002 (not supplied).
- D.** Thread the air terminal connector / vent pipe assembly down through the roof. The air terminal must be positioned vertically and plumb. Attach the air terminal connector to the roof support, ensuring that the top of the air terminal is 16" (406mm) above the highest point that it penetrates the roof.
- E.** Remove nails from the shingles, above and to the sides of the air terminal connector. Place the flashing over the air terminal connector leaving a min. 3/4" (19mm) of the air terminal connector showing above the top of the flashing. Slide the flashing underneath the sides and upper edge of the shingles. Ensure that the air terminal connector is properly centred within the flashing, giving a 3/4" (19mm) margin all around. Fasten to the roof. Do not nail through the lower portion of the flashing. Make weather-tight by sealing with caulking. Where possible, cover the sides and top edges of the flashing with roofing material.
- F.** Aligning the seams of the terminal and air terminal connector, place the terminal over the air terminal connector making sure the vent pipe goes into the hole in the terminal. Secure with the three screws provided.
- G.** Apply a heavy bead of weatherproof caulking 2" (51mm) above the flashing. Install the storm collar around the air terminal and slide down to the caulking. Tighten to ensure that a weather-tight seal between the air terminal and the collar is achieved.
- H.** If more vent pipe needs to be used to reach the appliance see "HORIZONTAL AIR TERMINAL INSTALLATION" section.



24.1A

5.3 APPLIANCE VENT CONNECTION - MODEL GDS60-1

- A. Attach the adjustable pipe to the last section of rigid pipe. Secure with screws and seal.
- B. Install the inner flex pipe to the appliance. Secure with 3 screws and flat washers. Seal the joint and screw holes using the high temperature sealant W573-0007 Mill-Pac (not supplied).
- C. Run a bead of high temperature sealant (not supplied) around the inside of the air intake collar. Pull the adjustable pipe a minimum 2" (50.8mm) into the air intake collar.



NOTE: Ensure that the sealant is not visible on the exterior pipes once installation is completed. An optional decorative black band is available for this use. In the event that the venting must be disassembled, care must be taken to reseal the venting.

28.3A

5.4 VERTICAL THROUGH EXISTING CHIMNEY

! WARNING**RISK OF FIRE!**

CO-AXIAL TO CO-LINEAR VENTING CONFIGURATIONS MUST ONLY BE USED IN A NON-COMBUSTIBLE CHIMNEY OR ENCLOSURE. INSTALLATION IN A COMBUSTIBLE ENCLOSURE COULD RESULT IN A FIRE.

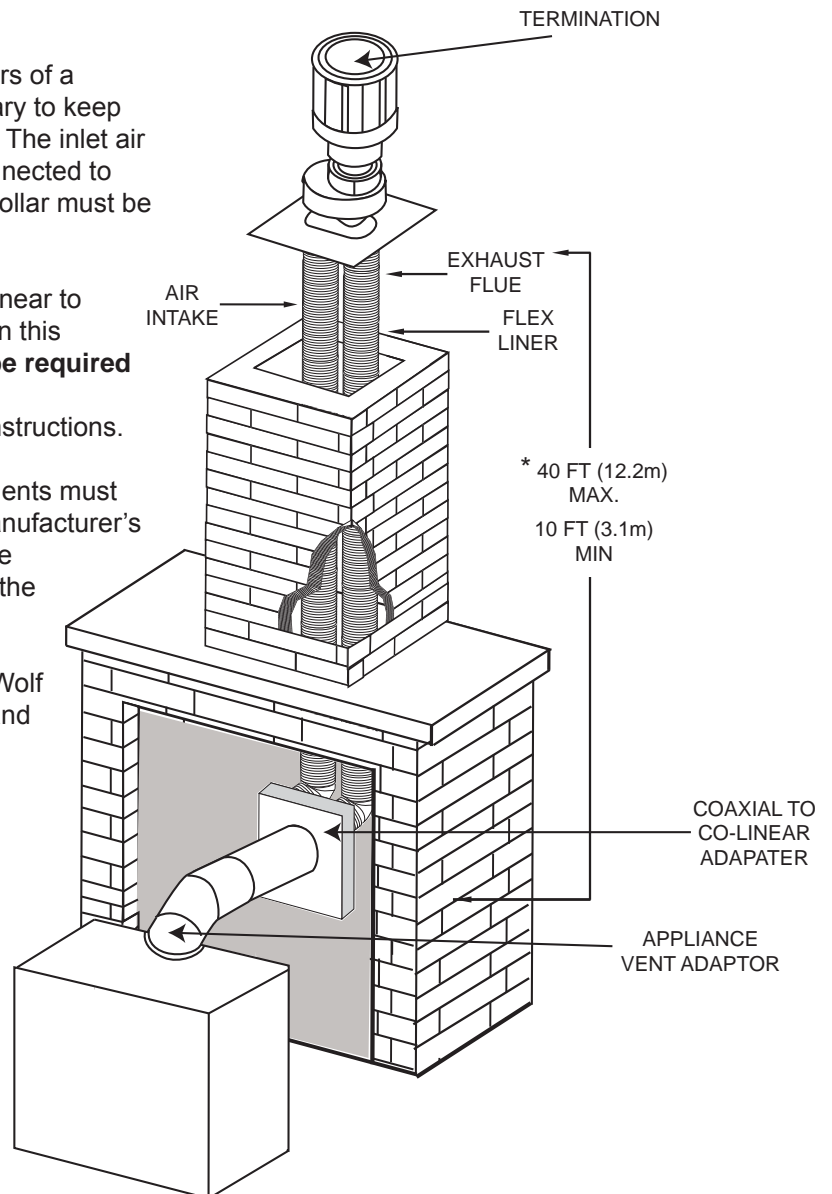
This appliance is designed to be attached to a 3" (76.2mm) co-linear aluminum flex vent system running the full length of a masonry chimney.

The flex liners accommodate any contours of a masonry chimney, however, it is necessary to keep the flexible liners as straight as possible. The inlet air collar of the termination cap must be connected to the air intake flex liner and the exhaust collar must be connected to the exhaust flexible liner.

Both Simpson Duravent and Selkirk co-linear to co-axial adaptors have been approved on this appliance (**NOTE: A vent adaptor will be required directly off the appliance**). Follow vent manufacturer's installation instructions.

Different manufacturer's venting components must not be combined. Once the preferred manufacturer's appliance adaptor has been attached, the remainder of the system must be that of the same manufacturer.

The only exception to this rule is to use Wolf Steel's approved 3" (76.2mm) flex liner and co-linear termination.



* Measured from appliance flue collar to termination flue collar


7.6A

5.5 MOBILE HOME INSTALLATION - MODEL GDS60-1

In Canada, mobile home installation may be vented horizontally or vertically. In the United States, it may only be installed vertically. See "VERTICAL VENTING" or "HORIZONTAL AIR TERMINAL INSTALLATION" section for installation.

For mobile home installations, the appliance must be fastened in place. It is recommended that the appliance be secured in all installations. Use the levelling / securing kit, GDSLL-KT for this purpose.

5.6 GAS INSTALLATION

 WARNING
RISK OF FIRE, EXPLOSION OR ASPHYXIATION. ENSURE THERE ARE NO IGNITION SOURCES SUCH AS SPARKS OR OPEN FLAMES.
SUPPORT GAS CONTROL WHEN ATTACHING GAS SUPPLY PIPE TO PREVENT DAMAGING GAS LINE.
ALWAYS LIGHT THE PILOT WHETHER FOR THE FIRST TIME OR IF THE GAS SUPPLY HAS RUN OUT WITH THE GLASS DOOR OPENED OR REMOVED. PURGING OF THE GAS SUPPLY LINE SHOULD BE PERFORMED BY A QUALIFIED SERVICE TECHNICIAN. ASSURE THAT A CONTINUOUS GAS FLOW IS AT THE BURNER BEFORE CLOSING THE DOOR. ENSURE ADEQUATE VENTILATION. FOR GAS AND ELECTRICAL LOCATIONS, SEE "DIMENSION" SECTION.
ALL GAS CONNECTIONS MUST BE CONTAINED WITHIN THE APPLIANCE WHEN COMPLETE.
HIGH PRESSURE WILL DAMAGE VALVE. DISCONNECT GAS SUPPLY PIPING BEFORE TESTING GAS LINE AT TEST PRESSURES ABOVE 1/2 PSIG.
VALVE SETTINGS HAVE BEEN FACTORY SET, DO NOT CHANGE.

Installation and servicing to be done by a qualified installer. **Do not use open flame.**

- Move the appliance into position and secure.
- If equipped with a flex connector the appliance is designed to accept a 1/2" (13mm) gas supply. Without the connector it is designed to accept a 3/8" (9.5mm) gas supply. The appliance is equipped with a manual shut off valve to turn off the gas supply to the appliance.
- Connect the gas supply in accordance to local codes. In the absence of local codes, install to the current CAN/CSA-B149.1 Installation Code in Canada or to the current National Fuel Gas Code, ANSI Z223.1 / NFPA 54 in the United States.
- When flexing any gas line, support the gas valve so that the lines are not bent or kinked.
- Check for gas leaks by brushing on a soap and water solution.

30.1

5.7 OPTIONAL WALL SWITCH

For ease of accessibility, an optional remote wall switch may be installed in a convenient location. Route 2 strand solid core millivolt wire from the gas appliance to the wall switch. The recommended maximum lead length depends on the wire size:

WIRE SIZE	MAX. LENGTH
14 gauge (1.8mm)	100 feet (30m)
16 gauge (1.5mm)	60 feet (18m)
18 gauge (1.2mm)	40 feet (12m)

DIRECT VENT MODEL GDS60-1: Disconnect one of the wire leads to the on/off switch then connect the wire leads from the optional wall switch / remote. See "WIRING DIAGRAM" section.

B-VENT MODEL GS60-1: Disconnect one of the wire leads to the on/off switch then connect the wire leads from the optional wall switch / remote / spill switch to "B" vent adaptor. See "WIRING DIAGRAM" section.

5.8 NATURAL VENT SPECIFICS - MODEL GS60-1

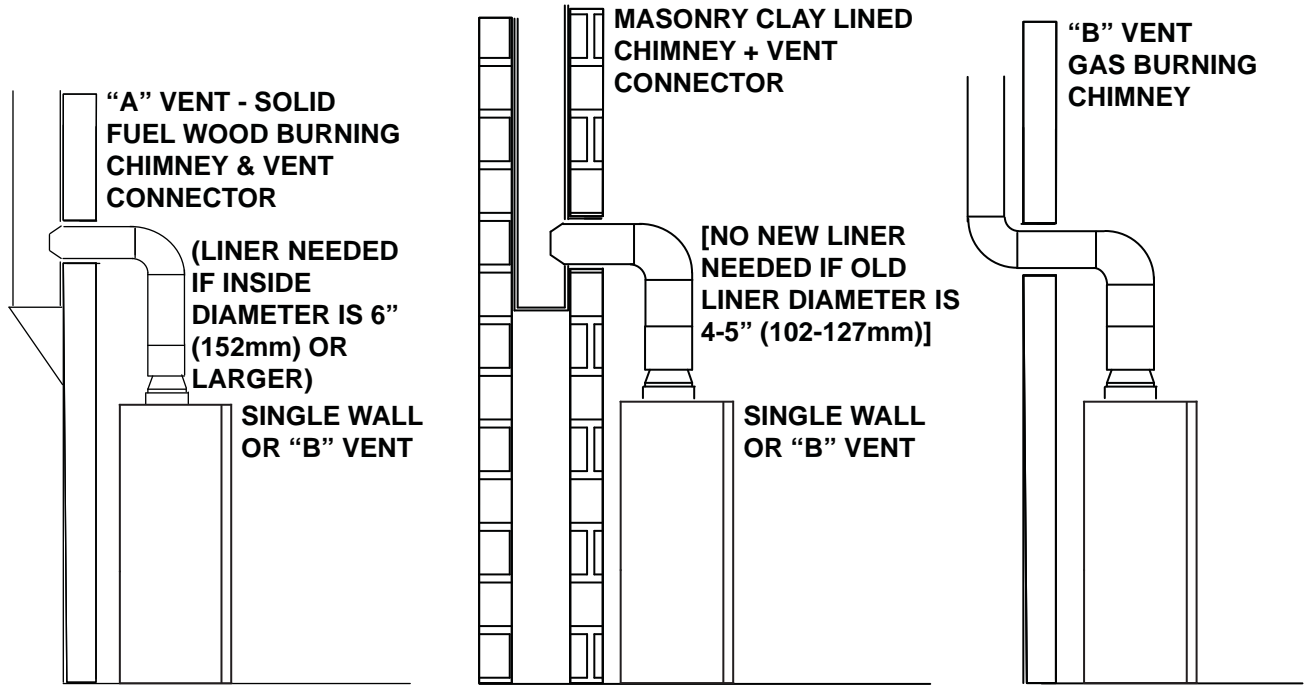
5.8.1 CHIMNEY INSTALLATION

EN

! WARNING

A CHIMNEY VENTING THIS APPLIANCE SHALL NOT VENT ANY SOLID FUEL BURNING APPLIANCE.

Three types of chimney systems may be used with this appliance.



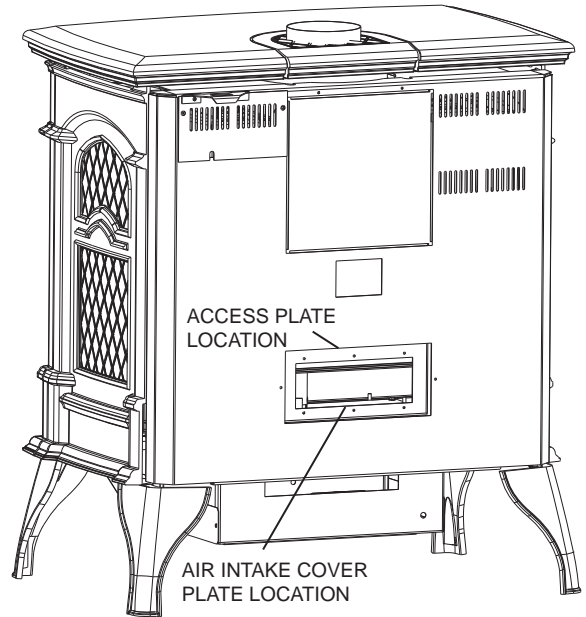
A chimney venting this appliance shall not vent any solid fuel burning appliance. All horizontal runs must have a 1/4" (6.4mm) rise per foot (0.3m).

63.7B

5.8.2 INSTALLING NATURAL VENT

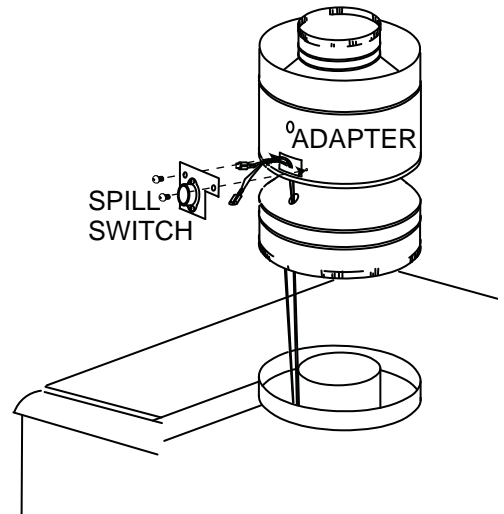
Follow the instructions of the "B" vent manufacturer for chimney installation.

- A. Remove the access plate. Remove and discard the air intake cover plate located directly behind the access plate.
 - B. Feed the 2 wires, supplied, through the 7" (178mm) collar at the top of the unit, bring them out the air intake opening but behind the rear panel as shown.
- NOTE:** Ensure that 2 female ends remain at the top. Re-secure the access plate.
- C. Remove the spill switch bracket from the rear of the adapter. Unscrew the spill switch and discard the bracket. Attach the spill switch to the bracket supplied with the appliance and secure onto the adapter.
 - D. Bring the wires through the lower hole in the adapter. To pass the wires through the hole more easily, temporarily tape the two terminals together.



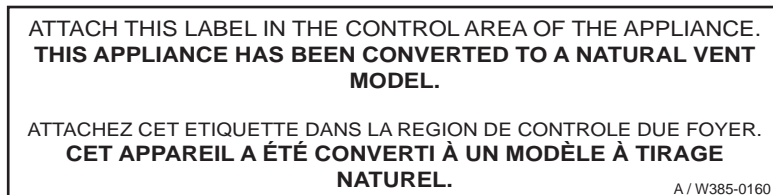
- E. With the spill switch opening aligned to the back of the appliance, take hold of the adapter base and push the crimped edge into the appliance flue collar.
- F. Connect the upper wire terminals to the spill switch.
- G. Disconnect one of the wire leads to the on/off switch then connect the wire leads from the optional wall switch / remote / spill switch to "B" vent adaptor. See "WIRING DIAGRAM" section.

For aesthetics, the adapter has been designed to accept a standard matte black 7" (178mm) appliance pipe and the Napoleon® decorative brass band (standard with the GS-150KT). Both are available from your local authorized dealer / distributor.



5.8.3 NATURAL VENT

Attach the natural vent label, shown, in the control area of the appliance.

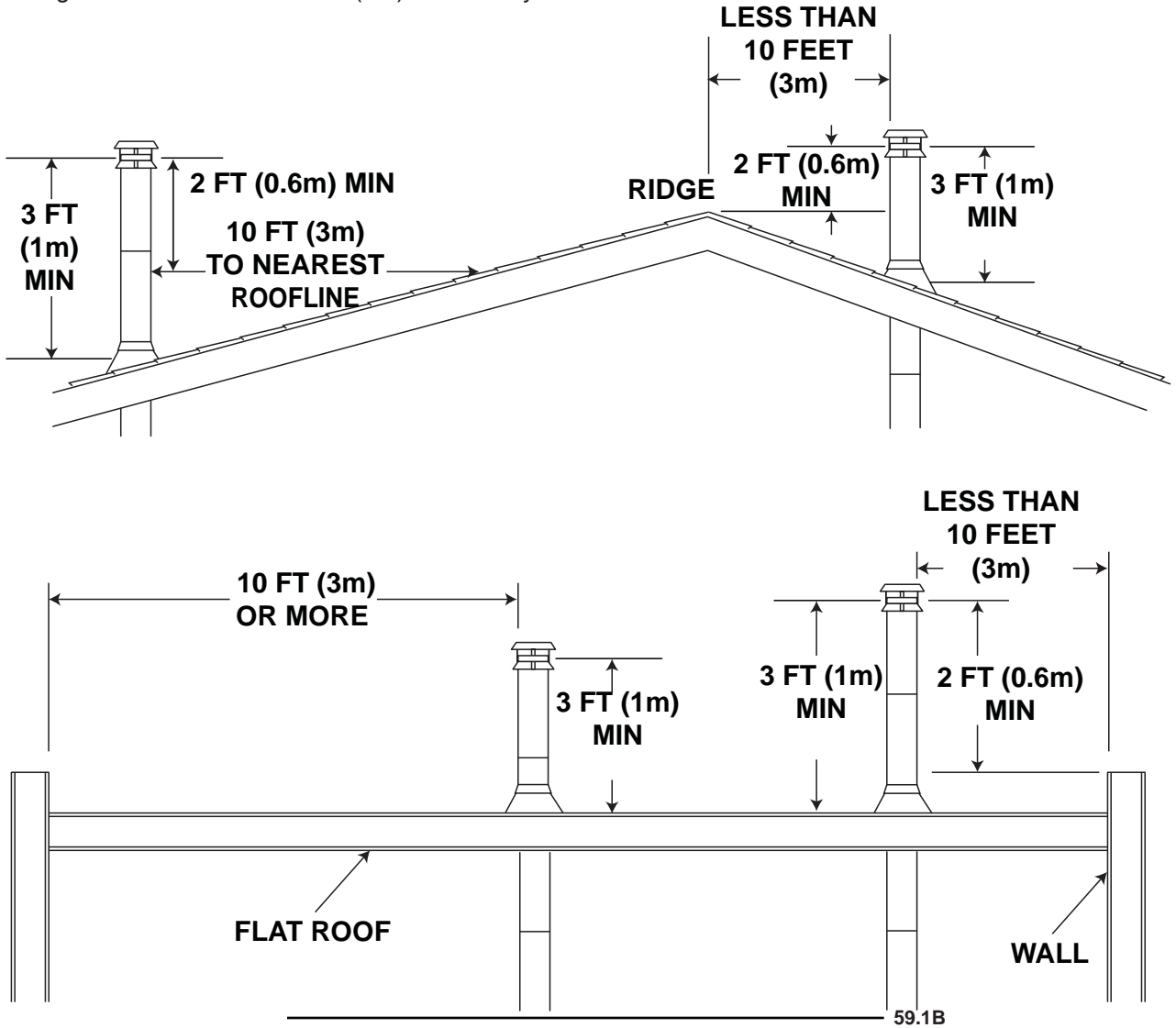


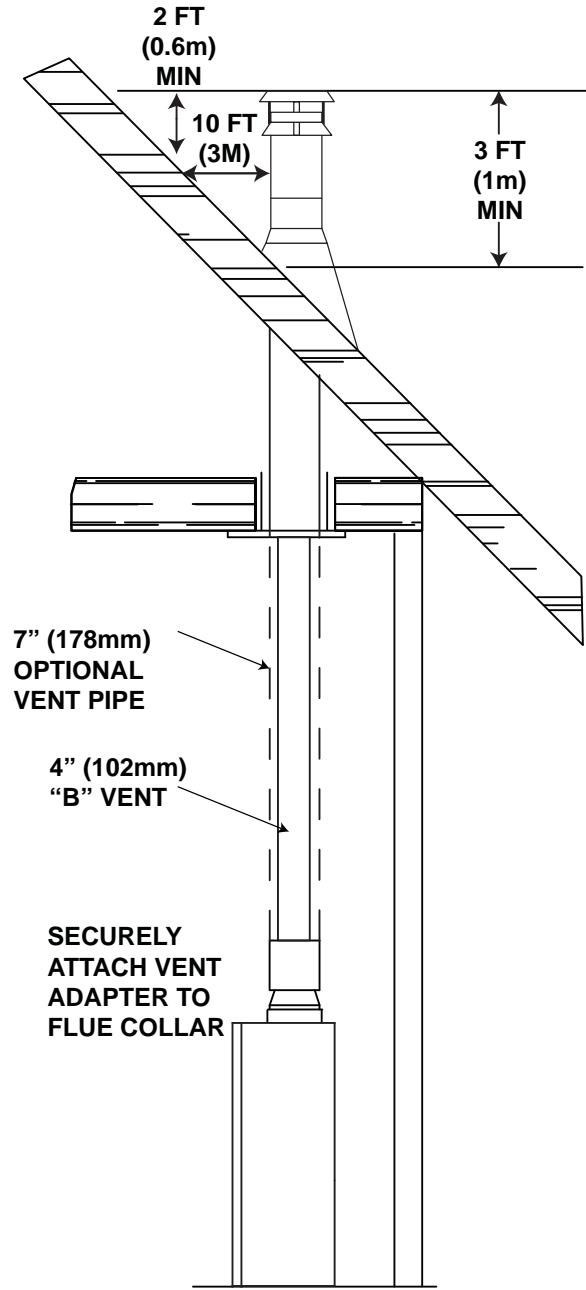
5.8.4 COMBUSTION AIR

This appliance needs air for safe operation and must be installed in such a way that adequate combustion air is available.

5.8.5 ADDING VENT SECTIONS

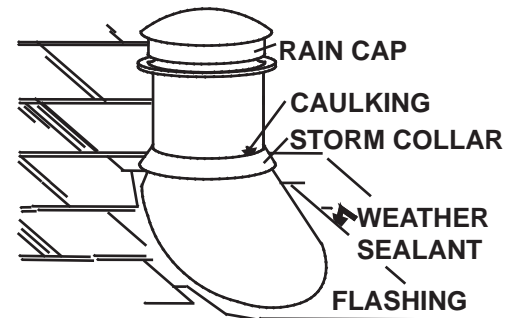
Add chimney sections, according to the manufacturers installation instructions. The chimney must extend at least, 3 feet (1m) above its point of contact with the roof and at least 2 feet (0.6m) higher than any wall, roof, building or obstacle within 10 feet (3m) horizontally.





5.8.6 INSTALLING FLASHING AND STORM COLLAR

Remove the nails from the shingles above and to the sides of the chimney. Place the flashing over the chimney pipe and slide underneath the sides and upper edge of the shingles. Ensure that the chimney pipe is properly centered within the flashing, giving a 3/4" (19.1mm) margin all around. Fasten to the roof on the top and sides. **DO NOT NAIL** through the lower portion of the flashing. Make weather-tight by sealing with caulking. Where possible, cover the sides and top edges of the flashing with roofing material. Apply waterproof caulking, provided with the flashing, around the chimney, 1" (25.4mm) above the top of the flashing and push the storm collar down into the caulking. Insert a rain cap onto the top of the last chimney section.



88.1A

6.0 FINISHING

6.1 FRONT CAST REMOVAL

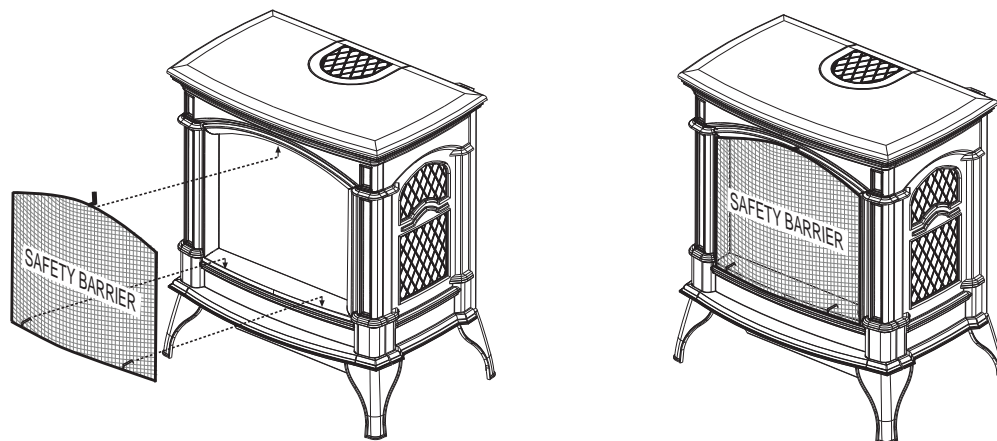
- A. Lift the top casting off the unit.
- B. Loosen the securing bolts on the cast front (located at either side on the top). Lift up and out.
- C. To install the front, repeat in reverse order.



6.3 SAFETY BARRIER INSTALLATION AND REMOVAL

A barrier designed to reduce the risk of burns from the hot viewing glass, is provided with the appliance and shall be installed.

- A. Remove the safety barrier by lifting up slightly, swing out bottom then lower screen. Remove and discard plastic wrap.
- B. Tilt the top of the safety barrier toward the appliance and hook under the top arch of the front casting.
- C. Swing the bottom of the safety barrier into position and lower, allowing the bottom clips to rest on the bottom opening. Careful not to scratch the bottom casting.



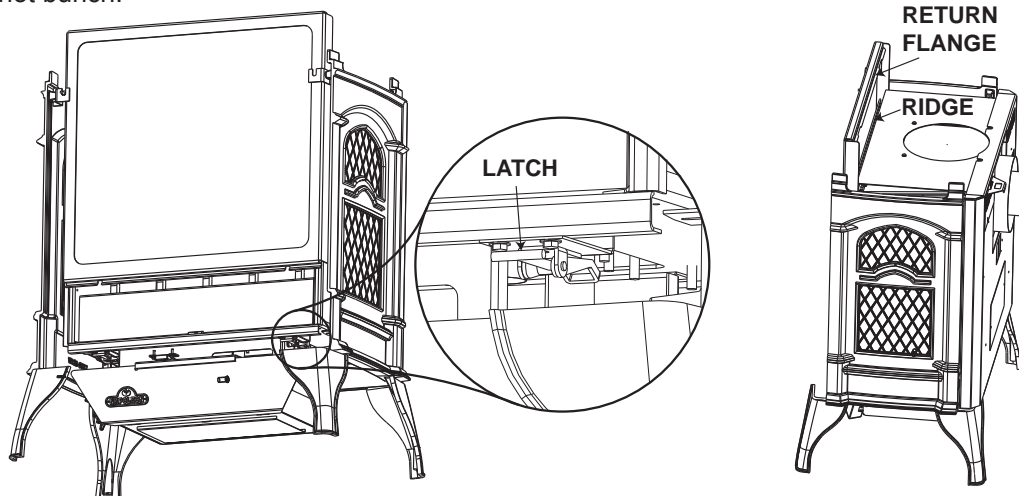
6.2 GLASS DOOR INSTALLATION AND REMOVAL

When installing the glass door, a simple procedure must be followed in order to not damage the door.

- A. Lift the top casting off and remove the safety screen.
- B. Lift the cast front out of its retainers (located at either side on the top).
- C. Open the valve control cover. Pull the latch handles forward to release. The door may now be safely removed by swinging the bottom out and lifting it off. To install the door, repeat in reverse order.

The return flange must fit over the top of the ridge so that it rests on top of the firebox.

The 'T' latch portion is threaded and can be loosened or tightened to adjust for an effective door seal. Care must be taken when re-installing the door to ensure that the gasket at the top of the door does not bunch.

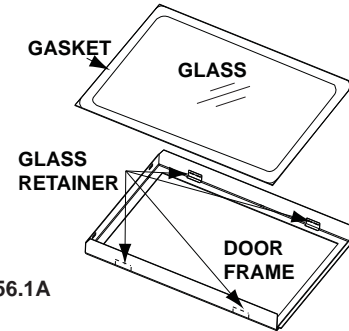


6.4 GLASS / DOOR REPLACEMENT

EN

! WARNING**DO NOT USE SUBSTITUTE MATERIALS.****GLASS MAY BE HOT, DO NOT TOUCH GLASS UNTIL COOLED.****CARE MUST BE TAKEN WHEN REMOVING AND DISPOSING OF ANY BROKEN DOOR GLASS OR DAMAGED COMPONENTS. BE SURE TO VACUUM UP ANY BROKEN GLASS FROM INSIDE THE APPLIANCE BEFORE OPERATION.****DO NOT STRIKE, SLAM OR SCRATCH GLASS. DO NOT OPERATE APPLIANCE WITH GLASS REMOVED, CRACKED, BROKEN OR SCRATCHED.**

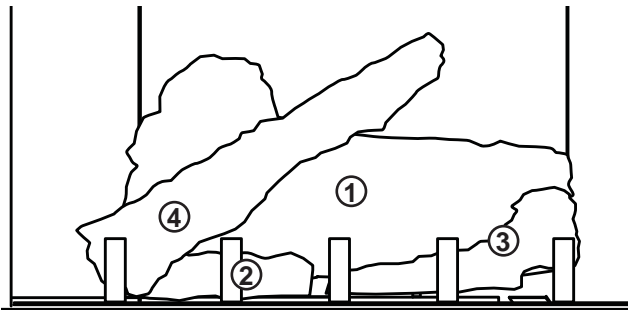
- A. Place the door frame face down careful not to scratch the paint.
- B. Center the gasketed glass inside the door frame with the thick side of the gasket facing up.
- C. Bend the glass retainers located along the edge of the door frame over the gasket holding the glass in place. Careful not to break the glass.



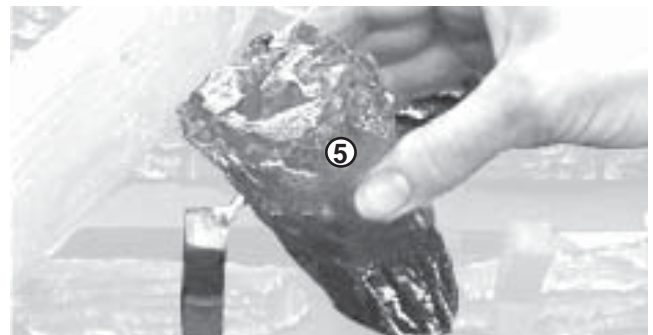
56.1A

6.5 LOG PLACEMENT

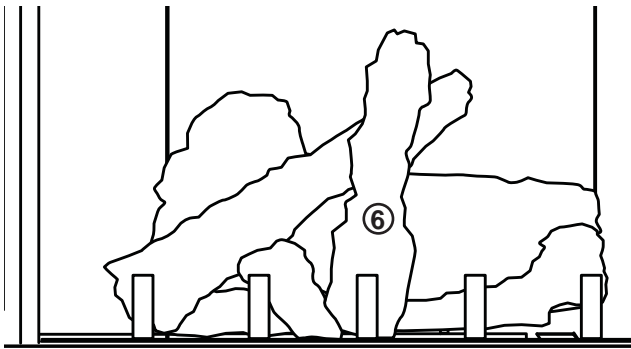
Blocked burner ports can cause an incorrect flame pattern, carbon deposits and delayed ignition. Phazer™ logs glow when exposed to direct flame and provide a unique and realistic glowing effect. Use only certified phazer™ logs available from your Napoleon® dealer.



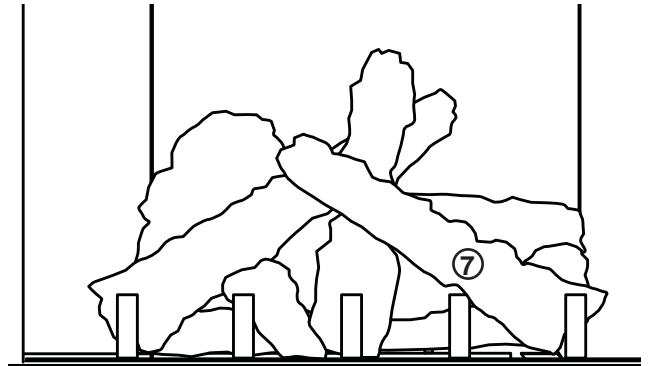
Place log #1 onto the burner, centering it onto the burner tray and pushing it as close to the rear wall of the firebox as possible. Move logs # 2 and 3 into position, lining up the studs located on the burner with the holes on the bottom of the logs. Sit the notch at the bottom of log #4 against the left outermost grate post and position the top of the log into the pocket provided on the rear log (#1).



The notch in log #5 should be pressed down onto the skewering pin located at the end of the grate as shown to prevent it from rocking.



Position the notch located in log #6 against the grate post.



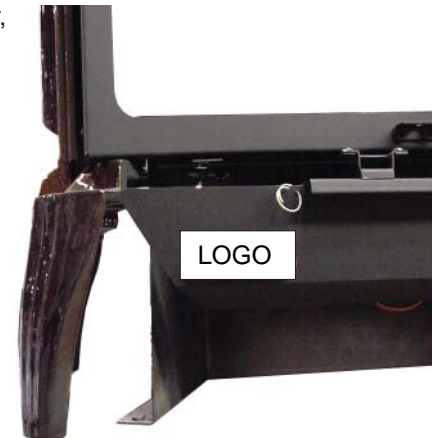
Place the bottom of log #7 against the right outermost grate post and the top into the pocket provided on the center log (#6). Bend up the tab in the log support to cradle log #7. Tear the glowing embers into pieces and place onto the front of the burner. Care should be taken to shred the embers into *thin, small irregular pieces* as only the exposed edges of the fibre hairs will glow when exposed to direct flame; however care should be taken to not block the burner ports. Blocked ports can cause an incorrect flame pattern, carbon deposits and delayed ignition.

Log colours may vary. During the initial use of the appliance, the colours will become more uniform as colour pigments burn in during the heat activated curing process.

POSITIONING THE LOGS IMPROPERLY WILL CAUSE FLAME IMPINGEMENT AND CARBONING.

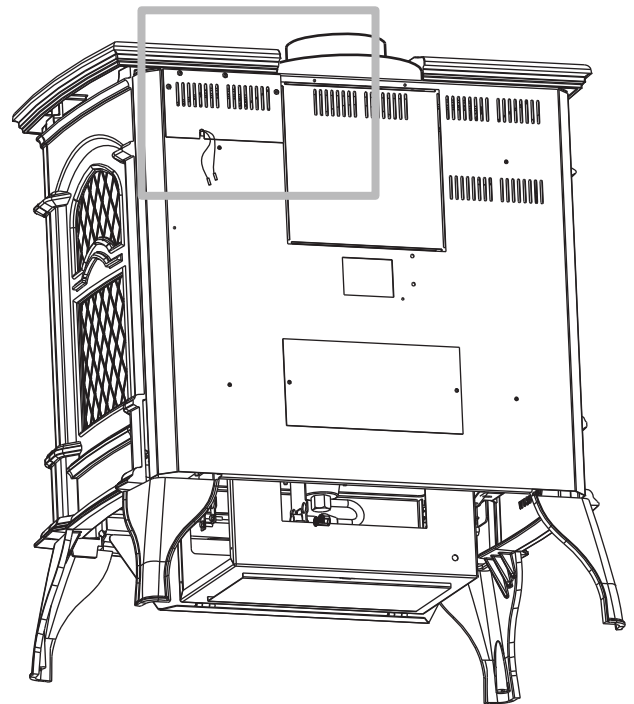
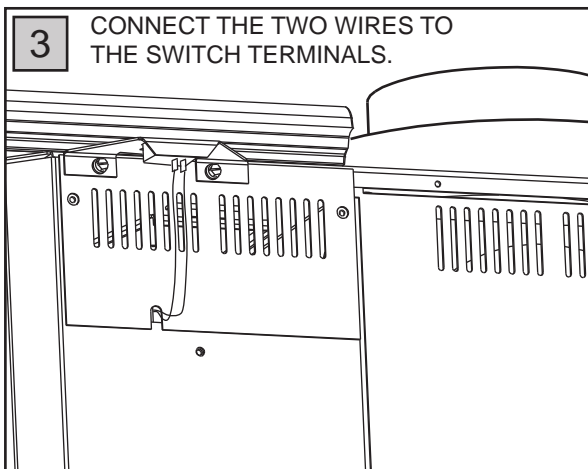
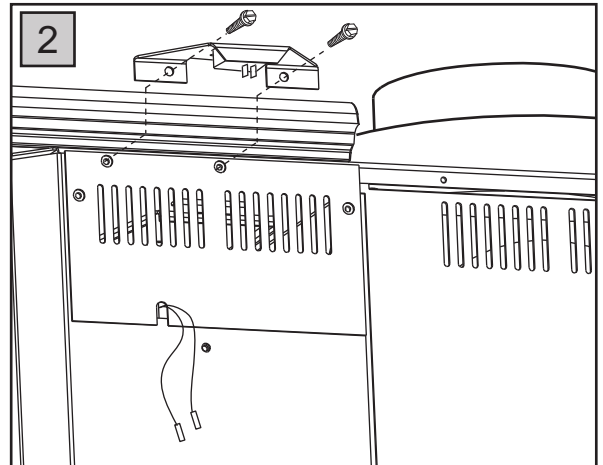
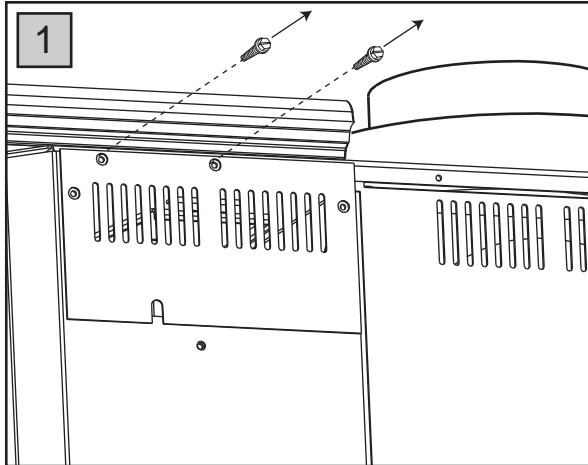
6.6 LOGO PLACEMENT

Remove the backing of the logo supplied and place on the glass viewing door, as indicated.



6.7 SWITCH AND BRACKET INSTALLATION

EN



7.0 OPTIONAL BLOWER INSTALLATION

- A. Ensure that the access cover plate has been installed. For location, see "SWITCH AND BRACKET INSTALLATION" section.
- B. Remove the on/off switch bracket and the cover plate below it. The switch spacers and cover plate may now be discarded.
- C. Decide which side of the blower housing you prefer the on/off switch to be located on.
- D. Remove the top 2 screws from the left outer edge of the rear appliance panel.
- E. Mount and secure the blower housing using 4 screws (two of which were removed in previous step). Ensure that the on/off switch wires pass through the appropriate slot located on either side of the blower housing.

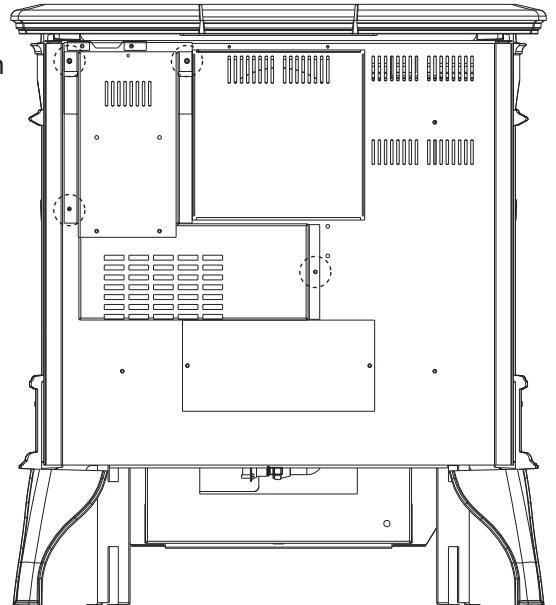


- F. Remove the 2 screws from the side of the blower housing that you want the switch to be located on and re-secure the on/off switch.

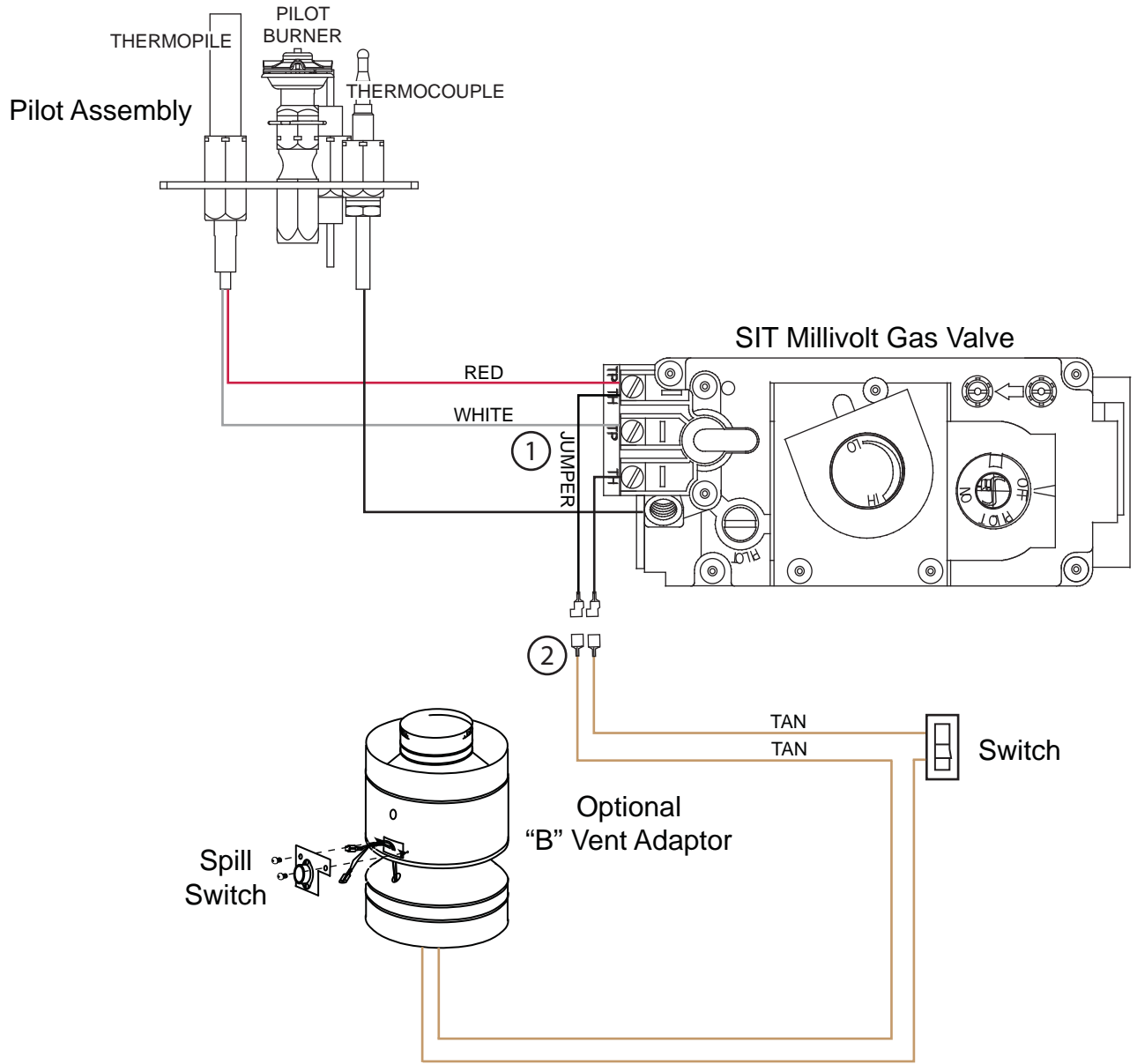
Because the blower is thermally activated, when turned on, it will automatically start approximately 15-30 minutes after lighting the appliance and will run for approximately 30-45 minutes after the appliance has been turned off. Use of the fan increases the output of heat.

Drywall dust will penetrate into blower bearings causing irreparable damage and must be prevented from coming into contact with the blower or its compartment.


Any damage resulting from this condition is not covered by the warranty policy.



8.0 WIRING DIAGRAM



9.0 OPERATION

 WARNING
IF YOU DO NOT FOLLOW THESE INSTRUCTIONS EXACTLY, A FIRE OR EXPLOSION MAY RESULT CAUSING PROPERTY DAMAGE, PERSON INJURY OR LOSS OF LIFE.
ALWAYS LIGHT THE PILOT WHETHER FOR THE FIRST TIME OR IF THE GAS SUPPLY HAS RAN OUT WITH THE GLASS DOOR OPENED OR REMOVED.
TAMPERING WITH THE SPILL SWITCH CAN RESULT IN CARBON MONOXIDE (CO) POISONING AND POSSIBLE DEATH (GS60 ONLY).

MODEL GS60-1 ONLY: SPILL SWITCH

This is a thermally activated switch, attached to the back of the chimney adaptor, which senses the change in temperature and shuts down the gas valve in the event of a blocked or disconnected vent. It acts as a safety shut-off to prevent a build up of carbon monoxide or an explosion of unburned gases during start up. If the flue is blocked or has no "draw", the spill switch will automatically shut off the supply of gas within about 5-10 minutes.

MODEL GS60-1 ONLY: VENTING ACTION CHECK

A CHECK FOR CORRECT VENTING ACTION MUST BE MADE BEFORE THE INSTALLED APPLIANCE IS LEFT WITH THE CUSTOMER. Test in the following manner:

- A. Close all doors and windows in the room / start exhaust fans in the home / turn appliance blower off (if equipped).
- B. Set controls to "high" and light the unit.
- C. Wait 5 minutes. Light a match and extend it 1" (50.8mm) into the hole located above the spill switch bracket on the adaptor.
- D. Venting action is satisfactory if the flame stays lit. Venting action is unsatisfactory if the flame extinguishes.
- E. If venting action is unsatisfactory, turn the unit off, wait 10 minutes and try again. If the match does not stay lit, turn the unit off and check for vent blockage or restriction. If necessary, consult with a qualified inspector.

9.1 OPERATING INSTRUCTIONS

The on-off switch is located on the back of the unit at the top left corner on models GDS60-1P and GS60-1P.

NOTE: The upper firebox baffle of your new cast appliance has intentionally been left unpainted. Its shiny appearance will quickly transform to a dull black finish during the curing process.

When lit for the first time, the appliance will emit a slight odour for a few hours. This is a normal temporary condition caused by the "burn-in" of internal paints and lubricants used in the manufacturing process and will not occur again. Simply open a window to sufficiently ventilate the room. After extended periods of non-operation such as following a vacation or a warm weather season, the appliance may emit a slight odour for a few hours. This is caused by dust particles in the heat exchanger burning off. Open a window to sufficiently ventilate the room.

OPERATING INSTRUCTIONS / INSTRUCTIONS D'OPERATION

FOR YOUR SAFETY READ BEFORE OPERATING / POUR VOTRE SECURITE LIRE AVANT DE FAIRE FONCTIONNER

WARNING: DO NOT TURN ON IF CHILDREN OR OTHER AT RISK INDIVIDUALS ARE NEAR THE FIREPLACE. IF YOU DO NOT FOLLOW THESE INSTRUCTIONS EXACTLY, A FIRE OR EXPLOSION MAY RESULT, CAUSING PROPERTY DAMAGE, PERSONAL INJURY OR LOSS OF LIFE. INITIAL LIGHTING OF THE PILOT AND MAIN BURNERS MUST BE DONE WITH THE GLASS DOOR OFF.

ATTENTION : NE PAS ALLUMER SI DES ENFANTS OU D'AUTRES INDIVIDUS A RISQUE SONT A PROXIMITE DU FOYER. QUICONQUE NE RESPECTE PAS A LA LETTRE LES INSTRUCTIONS DANS LA PRESENTE NOTICE RISQUE DE DECLENCHER UN INCENDIE OU UN EXPLOSION ENTRAINANT DES DOMMAGES, DES BLESSURES OU LA MORT. L'ALLUMAGE INITIAL DE LA VEILLEUSE ET DU BRULEUR PRINCIPAL DOIT SE FAIRE AVEC LA PORTE VITREE ENLEVEE.

DO NOT CONNECT VALVE OR WALL SWITCH TO ELECTRICITY. SEE INSTALLATION INSTRUCTIONS.

NE RACCORDEZ PAS LA SOUPEPE OU L'INTERRUPTEUR MURAL A L'ELECTRICITE. CONSULTEZ LES INSTRUCTIONS D'INSTALLATION.

A. THIS APPLIANCE IS EQUIPPED WITH A PILOT WHICH MUST BE LIT BY HAND WHILE FOLLOWING THESE INSTRUCTIONS EXACTLY.
 B. BEFORE OPERATING SMELL ALL AROUND THE APPLIANCE AREA FOR GAS AND NEXT TO THE FLOOR BECAUSE SOME GAS IS HEAVIER THAN AIR AND WILL SETTLE ON THE FLOOR.

A. CET APPAREIL EST MUNI D'UNE VEILLEUSE QUI DOIT ETRE ALLUMEE MANUELLEMENT. RESPECTEZ LES INSTRUCTIONS CI-DESSOUS A LA LETTRE.
B. AVANT D'ALLUMER LA VEILLEUSE, RENIFLEZ TOUT AUTOUR DE L'APPAREIL POUR DECELER UNE ODEUR DE GAZ, RENIFLEZ PRES DU PLANCHER, CAR CERTAINS GAZ SONT PLUS LOURDS QUE L'AIR ET PEUVENT S'ACCUMULER AU NIVEAU DU SOL.

WHAT TO DO IF YOU SMELL GAS:

- TURN OFF ALL GAS TO THE FIREPLACE.
- OPEN WINDOWS.
- DO NOT TRY TO LIGHT ANY APPLIANCE.
- DO NOT TOUCH ANY ELECTRIC SWITCH; DO NOT USE ANY PHONE IN YOUR BUILDING.
- IMMEDIATELY CALL YOUR GAS SUPPLIER FROM A NEIGHBOUR'S PHONE. FOLLOW THE GAS SUPPLIER'S INSTRUCTIONS.
- IF YOU CANNOT REACH YOUR GAS SUPPLIER, CALL THE FIRE DEPARTMENT.

QUE FAIRE SI VOUS SENTEZ UN ODEUR DE GAZ :

- COUPEZ ENTIEREMENT L'ALIMENTATION DE GAZ PRINCIPALE.
- OUVREZ LES FENETRES.
- NE PAS TENTER D'ALLUMER D'APPAREIL.
- NE TOUCHEZ PAS A AUCUN INTERRUPTEUR ; NE PAS VOUS SERVIR DES TELEPHONE SE TROUVANT DANS LE BATIMENT.
- APPELEZ IMMEDIATEMENT VOTRE FOURNISSEUR DE GAZ DEPUIS UN VOISIN. SUIVEZ LES INSTRUCTIONS DU FOURNISSEUR.
- SI VOUS NE POUVEZ REJOINDRE LE FOURNISSEUR, APPELEZ LE SERVICE DES INCENDIES.

C. USE ONLY YOUR HAND TO TURN THE GAS CONTROL KNOB / MANUAL SHUT-OFF KNOB. NEVER USE TOOLS. IF THE KNOB WILL NOT TURN BY HAND, DO NOT TRY TO REPAIR IT. CALL A QUALIFIED SERVICE TECHNICIAN. FORCE OR ATTEMPTED REPAIR MAY RESULT IN A FIRE OR EXPLOSION.
 D. DO NOT USE THIS APPLIANCE IF ANY PART HAS BEEN UNDER WATER. IMMEDIATELY CALL A QUALIFIED SERVICE TECHNICIAN TO INSPECT THE APPLIANCE AND REPLACE ANY PART OF THE CONTROL SYSTEM AND ANY GAS CONTROL WHICH HAS BEEN UNDER WATER.

C. NE POUSSER OU TOURNER LA MANETTE D'ADMISSION DU GAZ QU'A LA MAIN. NE JAMAIS EMPLOYER D'OUTIL A CETTE FIN. SI LA MANETTE RESTE COINCÉE, NE TENTEZ PAS DE LA REPARER. APPELEZ UN TECHNICIEN QUALIFIE. QUICONQUE TENTE DE FORCER LA MANETTE QUI DE LA REPARER PEUT PROVOQUER UN EXPLOSION OU UN INCENDIE.
D. N'UTILISEZ PAS CET APPAREIL S'IL A ÉTÉ PLONGÉ DANS L'EAU, MÊME PARTIELLEMENT. FAITES INSPECTER L'APPAREIL PAR UN TECHNICIEN QUALIFIÉ ET REMPLACEZ TOUTE PARTIE DU SYSTEME DE CONTRÔLE ET TOUTE COMMANDE QUI ONT ÉTÉ PLONGÉS DANS L'EAU.

W385-0173 / C

9.3 LIGHTING INSTRUCTIONS

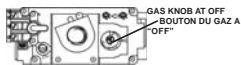
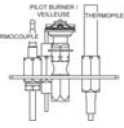
LIGHTING INSTRUCTIONS / INSTRUCTIONS D'ALLUMAGE

WARNING: THE GAS VALVE HAS AN INTERLOCK DEVICE WHICH WILL NOT ALLOW THE PILOT BURNER TO BE LIT UNTIL THE THERMOCOUPLE HAS COOLED. ALLOW APPROXIMATELY 60 SECONDS FOR THE THERMOCOUPLE TO COOL. WHEN LIGHTING AND RE-LIGHTING, THE GAS KNOB CANNOT BE TURNED FROM PILOT TO OFF UNLESS THE KNOB IS DEPRESSED.

AVERTISSEMENT: LA SOUPEPE DE GAZ A UN ENCLICHEMENT QUI NE PERMETTRA PAS A LA VEILLEUSE D'ETRE ALLUMEE PENDANT QUE LE THERMOCOUPLE SE RAFRAICHIT. ATTENDEZ ENVIRON 60 SECONDS POUR QUE LE THERMOCOUPLE SOIT RAFRAICHIT. LORSQUE LE GAZ EST ALLUME OU RE-ALLUME, LE BOUTON DE GAZ NE PEUT PAS ETRE TOURNE DE PILOTE A FERME A MOINS QU'IL SOIT ENFONCE.

1. STOP! READ THE SAFETY INFORMATION ON THE OPERATING LABEL.
2. TURN OFF ALL ELECTRIC POWER TO THE FIREPLACE.
3. TURN THE GAS KNOB CLOCKWISE TO OFF.
4. WAIT FIVE (5) MINUTES TO CLEAR OUT ANY GAS. IF YOU SMELL GAS INCLUDING NEAR THE FLOOR, STOP! FOLLOW "B" ON THE OPERATING LABEL. IF YOU DON'T SMELL GAS GO TO THE NEXT STEP.
5. FIND PILOT LOCATED IN FRONT OF BACK LOG.
6. TURN GAS KNOB COUNTER-CLOCKWISE TO PILOT.
7. DEPRESS AND HOLD GAS KNOB WHILE LIGHTING THE PILOT WITH THE PUSH BUTTON IGNITOR. KEEP KNOB FULLY DEPRESSED FOR ONE MINUTE, THEN RELEASE. IF PILOT DOES NOT CONTINUE TO BURN REPEAT STEPS 3 THROUGH 6.
8. WITH PILOT LIT, TURN GAS KNOB COUNTER-CLOCKWISE TO ON.
9. IF EQUIPPED WITH REMOTE ON-OFF SWITCH, MAIN BURNER MAY NOT COME ON WHEN YOU TURN THE VALVE TO ON. REMOTE SWITCH MUST BE IN THE ON POSITION TO IGNITE BURNER. TURN ON ALL ELECTRIC POWER TO THE FIREPLACE.
10. TURN ON ALL ELECTRIC POWER TO THE FIREPLACE.

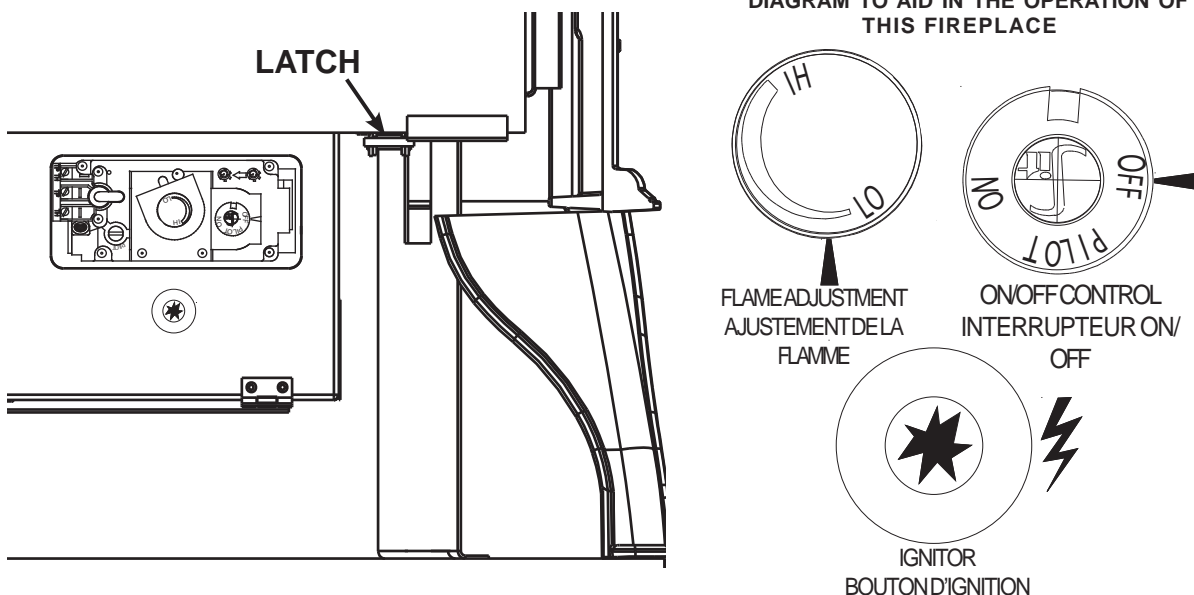
1. ARRETEZ! LISEZ LES INSTRUCTIONS DE SECURITE SUR L'ETIQUETTE DE FONCTIONNEMENT.
2. COUPEZ L'ALIMENTATION ELECTRIQUE AU FOYER.
3. TOURNEZ LE BOUTON DE CONTROLE DU GAZ VERS LA DROITE A "OFF".
4. ATTENDEZ CINQ (5) MINUTES AFIN D'EVACUER TOUT LES GAZ. SI VOUS SENTEZ LE GAZ PRES DU REVETEMENT, ARRETEZ! OBSERVEZ L'ITEM "B" SUR L'ETIQUETTE DE FONCTIONNEMENT. SI VOUS NE SENTEZ PAS LE GAZ, CONTINUEZ L'ETAPE SUIVANTE.
5. LOCALISEZ LA VEILLEUSE DEVANT LA BUCHE ARRIERE.
6. TOURNEZ LE BOUTON DU GAZ VERS LA GAUCHE A PILOTE.
7. ENFONCEZ ET GARDEZ LE BOUTON DU GAZ ENFONCE PENDANT QUE VOUS ALLUMEZ LA VEILLEUSE EN PRESSANT LE BOUTON-PRESSION. GARDEZ LE BOUTON DU GAZ COMPLETEMENT ENFONCE PENDANT UNE MINUTE ET RE-LACHEZ-LE. SI LA VEILLEUSE NE RESTE PAS ALLUMEE, REPETEZ LES ETAPES DE 3 A 6.
8. LORSQUE LA VEILLEUSE EST ALLUMEE, TOURNEZ LE BOUTON DU GAZ VERS LA GAUCHE A "ON".
9. SI L'APPAREIL EST MUNI D'UNE INTERRUPTEUR OUVERT/FERME A DISTANCE, LE BRULEUR PRINCIPAL PEUT NE PAS S'ALLUMER QUAND VOUS TOURNEZ LA SOUPEPE A OUVERT. L'INTERRUPTEUR A DISTANCE DOIT ETRE EN POSITION OUVERT POUR LE BRULEUR PRINCIPAL S'ALLUME.
10. RE-ALIMENTEZ L'APPAREIL EN ELECTRICITE.

TO TURN OFF GAS / COUPER L'ALIMENTATION EN GAZ

1. TURN OFF ALL ELECTRIC POWER TO THE FIREPLACE IF SERVICE IS TO BE PERFORMED.
2. PUSH IN GAS CONTROL KNOB SLIGHTLY AND TURN CLOCKWISE TO OFF. DO NOT FORCE.
1. COUPEZ L'ALIMENTATION ELECTRIQUE AU FOYER SI LE SERVICE EST EFFECTUE.
2. ENFONCEZ LEGEREMENT LE BOUTON DE CONTROLE DU GAZ ET TOURNEZ VERS LA DROITE A "OFF". NE FORCEZ PAS.

DIAGRAM TO AID IN THE OPERATION OF THIS FIREPLACE



10.0 ADJUSTMENT

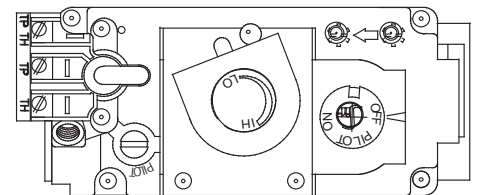
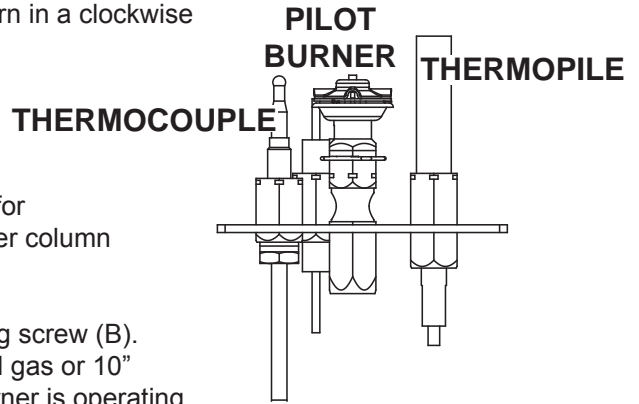
10.1 PILOT BURNER ADJUSTMENT

Adjust the pilot screw to provide properly sized flame. Turn in a clockwise direction to reduce the gas flow.

Inlet pressure can be checked by turning screw (A) counter-clockwise until loosened and then placing pressure gauge tubing over the test point. Gauge should read 7" (178mm) (minimum 4.5"(114mm)) water column for natural gas or 13" (330mm) (11" minimum (279mm)) water column for propane. Check that main burner is operating on "HI".

Outlet pressure can be checked the same as above using screw (B). Gauge should read 3.5" (89mm) water column for natural gas or 10" (254mm) water column for propane. Check that main burner is operating on "HI".

AFTER TAKING PRESSURE READINGS, TIGHTEN SCREWS FIRMLY TO SEAL. DO NOT OVER TORQUE. LEAK TEST.

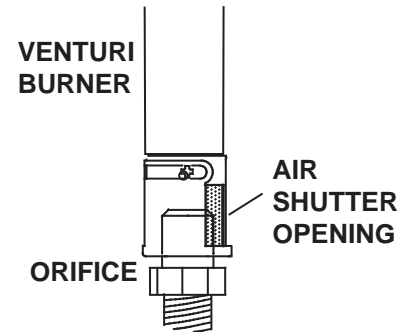


10.2 VENTURI ADJUSTMENT

This appliance has an air shutter that has been factory set open according to the chart below:

Regardless of venturi orientation, closing the air shutter will cause a more yellow flame, but can lead to carboning. Opening the air shutter will cause a more blue flame, but can cause flame lifting from the burner ports. The flame may not appear yellow immediately; allow 15 to 30 minutes for the final flame colour to be established.

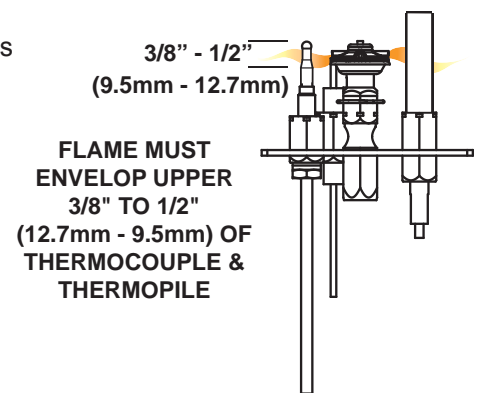
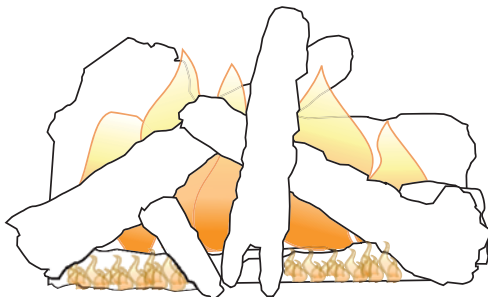
AIR SHUTTER ADJUSTMENT MUST ONLY BE DONE BY A QUALIFIED INSTALLER!



GDS60-1	
NG	3/8" (9.5mm)
LP	5/16" (7.9mm)

10.3 FLAME CHARACTERISTICS

It's important to periodically perform a visual check of the pilot and burner flames. Compare them to the illustrations provided. If any flames appear abnormal call a service person.




10.4 RESTRICTING VERTICAL VENTS - MODEL GDS60-1P

Vertical installations may display a very active flame. If this appearance is not desirable, the vent exit must be restricted using a restrictor vent kit. Refer to "ACCESORIES" in the "REPLACEMENTS" section for the appropriate kit. This will reduce the velocity of the exhaust gases, slowing down the flame pattern and creating a more traditional gentle flame appearance. Specific instructions are included with the kit.

77.3

11.0 MAINTENANCE

 WARNING
TURN OFF THE GAS AND ELECTRICAL POWER BEFORE SERVICING THE APPLIANCE.
APPLIANCE MAY BE HOT, DO NOT SERVICE UNTIL APPLIANCE HAS COOLED.
DO NOT USE ABRASIVE CLEANERS.
DO NOT PAINT THE PILOT ASSEMBLY.

CAUTION: Label all wires prior to disconnection when servicing controls. Wiring errors can cause improper and dangerous operation. Verify proper operation after servicing. This appliance and its venting system should be inspected before use and at least annually by a qualified service person. The appliance area must be kept clear and free of combustible materials, gasoline or other flammable vapors and liquids. The flow of combustion and ventilation air must not be obstructed.

- A. In order to properly clean the burner and pilot assembly, remove the logs, rocks and/or glass to expose both assemblies.
- B. Keep the control compartment, media, burner, air shutter opening and the area surrounding the logs clean by vacuuming or brushing, at least once a year.
- C. Check to see that all burner ports are burning. Clean out any of the ports which may not be burning or are not burning properly.
- D. Check to see that the pilot flame is large enough to engulf the flame sensor and/or thermocouple / thermopile as well as reaches the burner.
- E. Replace the cleaned logs, rocks or glass. Failure to properly position the media may cause carboning which can be distributed in the surrounding living area.
- F. Check to see that the main burner ignites completely on all openings when turned on. A 5 to 10 second total light-up period is satisfactory. If ignition takes longer, consult your local authorized dealer / distributor.
- G. Check that the gasketing on the sides, top and bottom of the door is not broken or missing. Replace if necessary.
- H. If for any reason the vent air intake system is disassembled, re-install and re-seal per the instructions provided for the initial installation.
- I. Cleaning the safety barrier may be necessary due to excessive lint / dust from carpeting, pets, etc. simply vacuum using the brush attachment.

40.1C



11.1 ANNUAL MAINTENANCE

! WARNING

THE FIREBOX BECOMES VERY HOT DURING OPERATION. LET THE APPLIANCE COOL COMPLETELY OR WEAR HEAT RESISTANT GLOVES BEFORE CONDUCTING SERVICE.

NEVER VACUUM HOT EMBERS.

DO NOT PAINT THE PILOT ASSEMBLY.

- This appliance will require maintenance which should be planned on an annual basis.
- Service should include cleaning, battery replacement, venting inspection and inspection of the burner, media and firebox. Refer to the door removal section and remove the door as instructed.
- Carefully remove media if necessary (logs, glass, brick panels etc).
- Using a vacuum with a soft brush attachment, gently remove any dirt, debris or carbon build up from the logs, firebox and burner. For glass media, follow the installation instructions for pre-cleaning.
- Also gently remove any build-up on the pilot assembly including, if equipped; thermopile, thermocouple, flame sensor and igniter. **NOTE: The flame sensor may require to be cleaned using a fine steel wool or Scotch-Brite™ scrubbing pad to remove any oxides. Clean the pilot assembly using a vacuum with a soft brush attachment. It is important that the pilot assembly is not painted.**
- Inspect all accessible gaskets and replace as required.
- Access the blower, if equipped and clean using a soft brush and vacuum.
- Re-assemble the various components in reverse order.
- Inspect the relief system. The appliance relieves through the main glass door or through the flaps on the firebox top. Ensure they open freely, and close sealed.

37.1B

11.2 CARE OF GLASS

DO NOT CLEAN GLASS WHEN HOT! DO NOT USE ABRASIVE CLEANERS TO CLEAN GLASS.

Buff lightly with a clean dry soft cloth. Clean both sides of the glass after the first 10 hours of operation with a recommended fireplace glass cleaner. Thereafter clean as required. If the glass is not kept clean permanent discoloration and / or blemishes may result.



5.1

This appliance is factory equipped with 5mm ceramic glass. Use only replacement glass available from your Napoleon® dealer. DO NOT SUBSTITUTE MATERIALS.

5.5.1

12.0 REPLACEMENTS

Contact your dealer or the factory for questions concerning prices and policies on replacement parts. Normally all parts can be ordered through your Authorized dealer / distributor.

FOR WARRANTY REPLACEMENT PARTS, A PHOTOCOPY OF THE ORIGINAL INVOICE WILL BE REQUIRED TO HONOUR THE CLAIM.

When ordering replacement parts always give the following information:

- Model & Serial Number of appliance
- Installation date of appliance
- Part number
- Description of part
- Finish

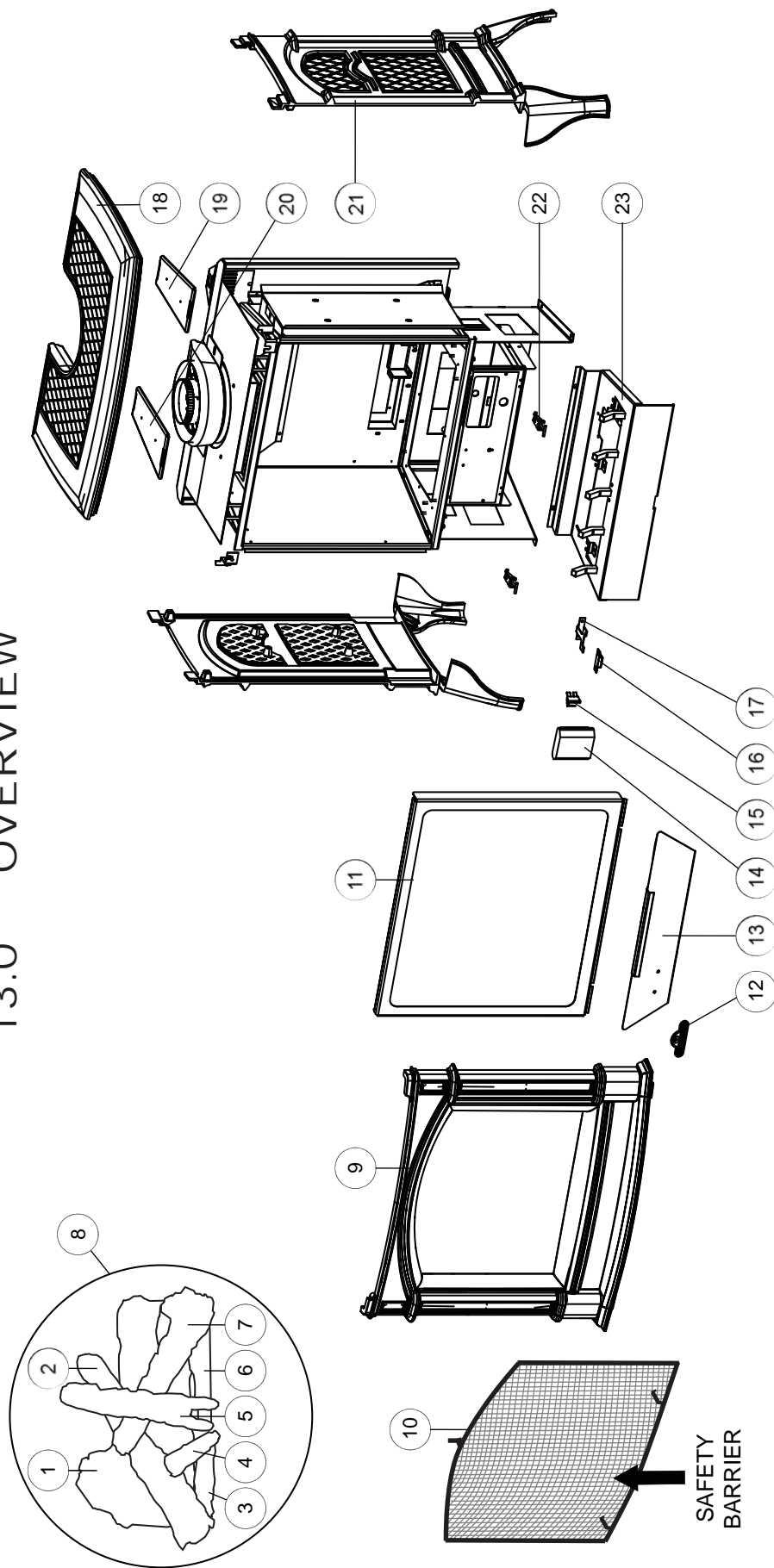
*** IDENTIFIES ITEMS WHICH ARE NOT ILLUSTRATED. FOR FURTHER INFORMATION, CONTACT YOUR AUTHORIZED DEALER.**

WARNING

FAILURE TO POSITION THE PARTS IN ACCORDANCE WITH THIS MANUAL OR FAILURE TO USE ONLY PARTS SPECIFICALLY APPROVED WITH THIS APPLIANCE MAY RESULT IN PROPERTY DAMAGE OR PERSONAL INJURY.

41.1

13.0 OVERVIEW

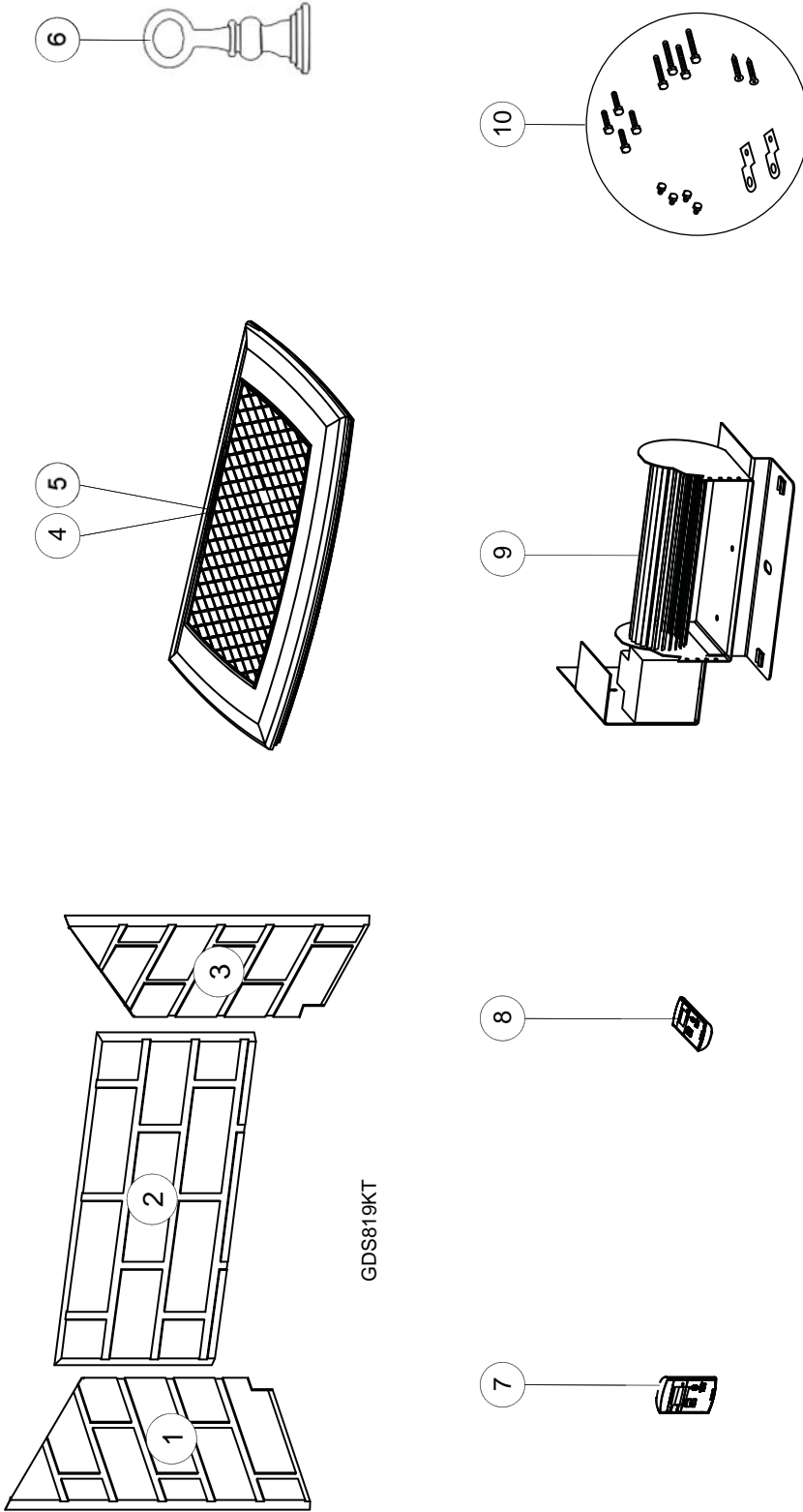


ITEMS MAY NOT APPEAR EXACTLY AS ILLUSTRATED

REF. NO.	PART NUMBER	DESCRIPTION
1	W135-0209	REAR LOG (GL-646)
2	W135-0210	LEFT CROSSOVER LOG (GL-646)
3	W135-0082	LEFT CHARCOAL LOG (GL-646)
4	W135-0211	SMALL RIGHT LOG (GL-646)
5	W135-0212	MIDDLE CROSSOVER LOG (GL-646)
6	W135-0182	RIGHT CHARCOAL LOG (GL-646)
7	W135-0213	RIGHT CROSSOVER LOG (GL-646)
8	GL-646	LOG SET
9	W135-0376	FRONT CASTING
10	W010-3296	SAFETY BARRIER ASSEMBLY
11	W010-2136	DOOR ASSEMBLY
12	W385-0351	NAPOLEON LOGO

REF. NO.	PART NUMBER	DESCRIPTION
13	W010-2114	CONTROL PANEL ASSEMBLY
14	W350-0342	BATTERY HOUSING
15	W660-0009	ON / OFF SWITCH
16	W430-0013	DOOR CATCH MAGNET ASSEMBLY
17	W080-1009	MAGNET BRACKET
18	W135-0375	TOP CASTING
19	W010-1596	(RS) RELIEF DOOR ASSEMBLY
20	W010-1607	(LS) RELIEF DOOR ASSEMBLY
21	W135-0377	SIDE CASTING (X2)
22	W390-0001	DOOR LATCHES (X2)
23	W010-3074	LOG SUPPORT ASSEMBLY

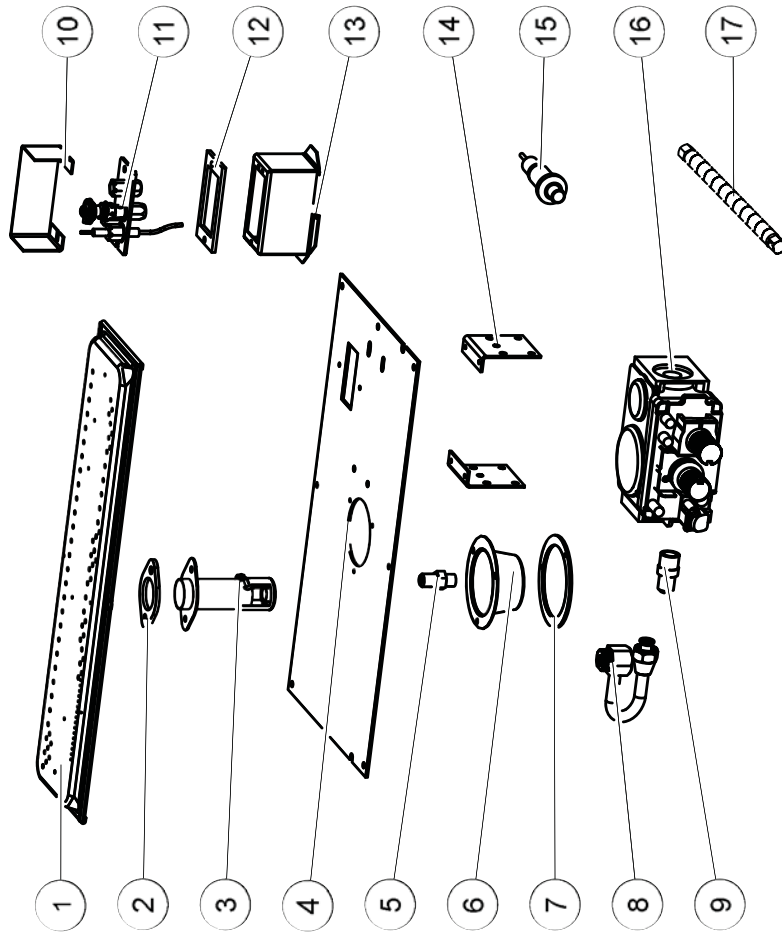
14.0 ACCESSORIES



ITEMS MAY NOT APPEAR EXACTLY AS ILLUSTRATED

REF. NO.	PART NUMBER	DESCRIPTION	REF. NO.	PART NUMBER	DESCRIPTION
1	W475-0433	(LS) SANDSTONE BRICK PANEL (GDS819KT)	6	ANI-K	CAST IRON ANDIRONS (X2)
2	W475-0431	REAR SANDSTONE BRICK PANEL (GDS819KT)	7	W660-0081	WALL MOUNTED THERMOSTAT
3	W475-0432	(RS) SANDSTONE BRICK PANEL (GDS819KT)	8	F45 / F60	HANDHELD REMOTE CONTROL
4	GS831K	TRIVET (BLACK)	9	GS-64KT	BLOWER KIT
5	GS831C	TRIVET (CHROME)	10	GDSLL-KT	LEG LEVELLING / SECURING KIT

15.0 VALVE TRAIN ASSEMBLY

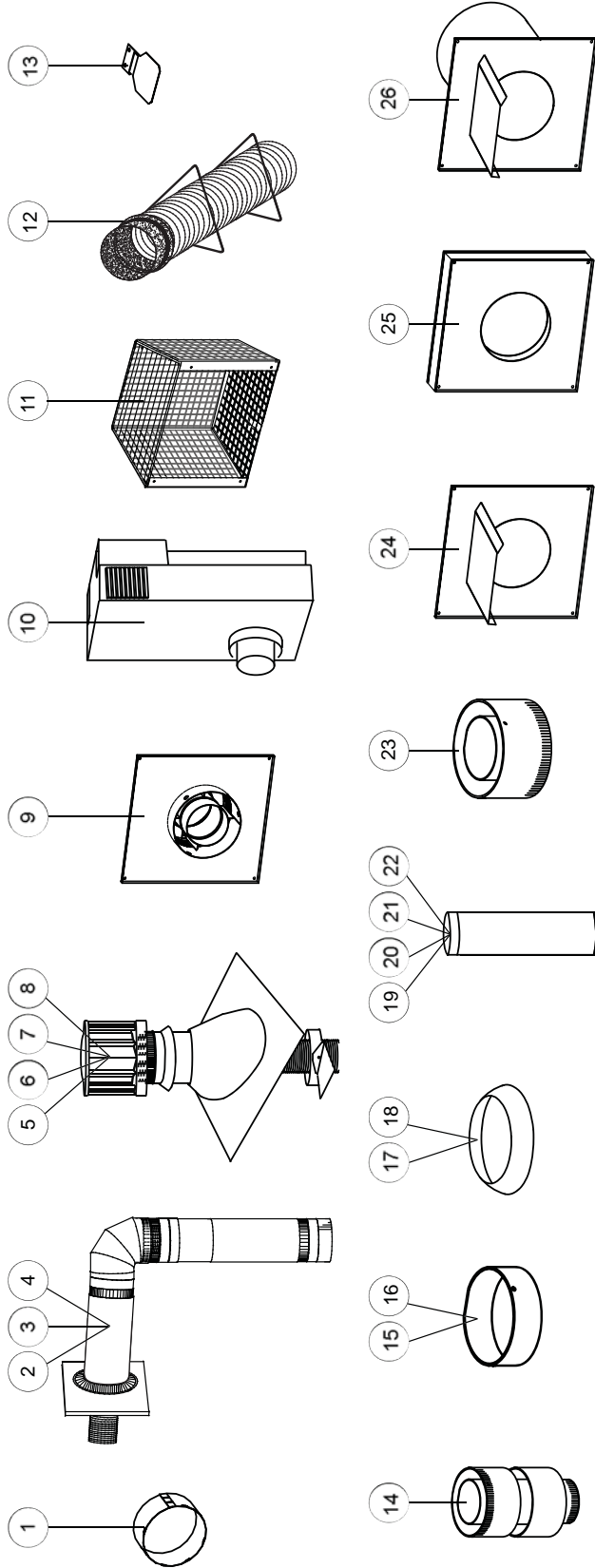


ITEMS MAY NOT APPEAR EXACTLY AS ILLUSTRATED

REF.NO.	PART NUMBER	DESCRIPTION
1	W100-0071	BURNER ASSEMBLY
2	W290-0018	VENTURI GASKET
3	W720-0069	VENTURI
4	W035-0289	BURNER BASE
5	W456-0035	BURNER ORIFICE #35
6	W350-0417	VENTURI HOUSING
7	W290-0127	VENTURI HOUSING GASKET
8	W432-0062	3/8" MANIFOLD
9	W445-0021	3/8" CONNECTOR
10	W585-0806	PILOT SHIELD

REF.NO.	PART NUMBER	DESCRIPTION
11	W010-0798	PILOT ASSEMBLY
12	W290-0029	PILOT GASKET
13	W350-0227	PILOT HOUSING
14	W080-0261	VALVE BRACKET
15	W357-0001	PIEZO IGNITER
16	W725-0035	GAS VALVE
17	W175-0227	FLEX CONNECTOR
18*	W175-0138	CONVERSION KIT (NG-LP)
19*	W175-0139	CONVERSION KIT (LP-NG)


16.0 VENTING

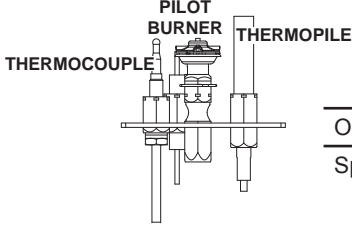
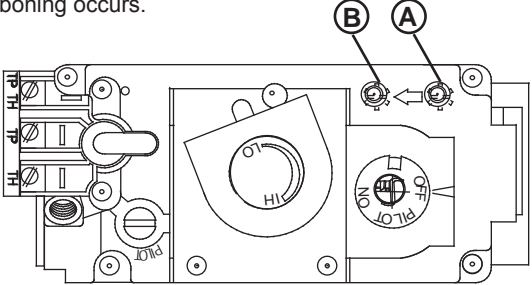


ITEMS MAY NOT APPEAR EXACTLY AS ILLUSTRATED

REF. NO.	PART NUMBER	DESCRIPTION	REF. NO.	PART NUMBER	DESCRIPTION
1	W175-0001	4" COUPLER	14	GS-150KT	B-VENT ADAPTOR KIT
2	GD-175	WALL TERMINAL KIT	15	W025-0001	DECORATIVE BRASS BAND
3	GD-176	VENT KIT (C/W TERMINAL)	16	W025-0003	DECORATIVE BLACK BAND
4	GD-180	VENT KIT (C/W GD201 PERISCOPE)	17	BRTC7	7" BRASS TRIM COLLAR
5	GD110	ROOF TERMINAL KIT (1/12 - 7/12 PITCH)	18	BM3730	7" BLACK TRIM COLLAR
6	GD111	ROOF TERMINAL KIT (8/12 - 12/12 PITCH)	19	BM6724	STOVE PIPE (7" x 24")
7	GD112	ROOF TERMINAL KIT (FLAT ROOF)	20	BM67ADJ	STOVE PIPE (7" x 28" - 54" ADJUSTABLE)
8	GD113	ROOF TERMINAL KIT (C/W STORM COLLAR)	21	BM6745	STOVE PIPE (7" - 45° ELBOW)
9	GD177	VENT KIT (C/W TERMINAL)	22	BM6790	STOVE PIPE (7" - 90° ELBOW)
10	GD-201	PERISCOPE	23	GDS942N	DURAVENT ADAPTOR
11	GD-301	HEAT GUARD	24	W500-0077	FIRESTOP / CEILING PLATE
12	W010-0300	4" x 10" FLEX LINER (C/W SPACERS)	25	W500-0103	TERMINAL EXTENSION PLATE
13	RP4	RESTRICTOR PLATE 4"	26	AVS47KT	ATTIC FIRESTOP / VENT SLEEVE ASSEMBLY

17.0 TROUBLESHOOTING

 WARNING		
ALWAYS LIGHT THE PILOT WHETHER FOR THE FIRST TIME OR IF THE GAS SUPPLY HAS RAN OUT, WITH THE GLASS DOOR OPEN OR REMOVED.		
TURN OFF THE GAS AND ELECTRICAL POWER BEFORE SERVICING THE APPLIANCE.		
APPLIANCE MAY BE HOT, DO NOT SERVICE UNTIL APPLIANCE HAS COOLED.		
DO NOT USE ABRASIVE CLEANERS.		
SYMPTOM	PROBLEM	TEST SOLUTION
Main burner goes out; pilot stays on.	Pilot flame is not large enough or not engulfing the thermopile.	<ul style="list-style-type: none"> - Turn up the pilot flame. - Replace pilot assembly.
	Thermopile shorting.	<ul style="list-style-type: none"> - Clean thermopile connection to the valve. Reconnect. - Replace thermopile / valve.
	Remote wall switch wire is too long; too much resistance in the system.	<ul style="list-style-type: none"> - Shorten wire to correct length or wire gauge.
	Faulty thermostat or switch.	<ul style="list-style-type: none"> - Replace.
Main burner goes out; pilot goes out.	Refer to "MAIN BURNER GOES OUT; PILOT STAYS ON"	
	Vent is blocked	<ul style="list-style-type: none"> - Check for vent blockage.
	Vent is re-circulating	<ul style="list-style-type: none"> - Check joint seals and installation
	Flexible vent has become disconnected from appliance.	<ul style="list-style-type: none"> - Re-attach to appliance. - Cap was not replaced.
Pilot goes out when the gas knob is released. The gas valve has an interlock device which will not allow the pilot burner to be lit until the thermocouple has cooled. Allow approximately 60 seconds for the thermocouple to cool.	System is not correctly purged	<ul style="list-style-type: none"> - Purge the gas line.
	Out of propane gas.	<ul style="list-style-type: none"> - Fill the tank.
	Pilot flame is not large enough.	<ul style="list-style-type: none"> - Turn up the pilot flame.
	Pilot flame is not engulfing the thermocouple	<ul style="list-style-type: none"> - Gently twist the pilot head to improve the flame pattern around the thermocouple.
	Thermocouple shorting / faulty.	<ul style="list-style-type: none"> - Loosen and tighten thermocouple. - Clean thermocouple and valve connection. - Replace thermocouple. - Replace valve.
	Faulty valve.	<ul style="list-style-type: none"> - Replace.
Pilot burning; no gas to main burner; gas knob is on 'HI'; wall switch / thermostat is on.	Thermostat or switch is defective	<ul style="list-style-type: none"> - Connect a jumper wire across the wall switch terminals; if main burner lights, replace switch / thermostat.
	Wall switch wiring is defective.	<ul style="list-style-type: none"> - Disconnect the switch wires & connect a jumper wire across terminals 1 & 3; if the main burner lights, check the wires for defects and/or replace wires.
	Main burner orifice is plugged.	<ul style="list-style-type: none"> - Remove stoppage in orifice.
	Faulty valve.	<ul style="list-style-type: none"> - Replace.
Pilot goes out while standing; Main burner is in 'OFF' position.	Gas piping is undersized.	<ul style="list-style-type: none"> - Turn on all gas appliances and see if pilot flame flutters, diminishes or extinguishes, especially when main burner ignites. Monitor appliance supply working pressure. - Check if supply piping size is to code. Correct all undersized piping.
Main burner flame is a blue, lazy, transparent flame.	Blockage in vent.	<ul style="list-style-type: none"> - Remove blockage. In really cold conditions, ice buildup may occur on the terminal and should be removed as required. To minimize this from happening again, it is recommended that the vent lengths that pass through unheated spaces (attics, garages, crawl spaces) be wrapped with an insulated mylar sleeve. Prevent sleeve from sagging. Contact your local authorized dealer for more information.

SYMPTOM	PROBLEM	TEST SOLUTION													
Pilot will not light. 	No spark at pilot burner.	<ul style="list-style-type: none"> - Check if pilot can be lit by a match. - Check that the wire is connected to the push button igniter. - Check if the push button igniter needs tightening. - Replace the wire if the wire insulation is broken or frayed. - Replace the electrode if the ceramic insulator is cracked or broken. - Replace the push button ignitor 													
	Out of propane gas.	<ul style="list-style-type: none"> - Fill the tank. 													
	Spark gap is incorrect.	<ul style="list-style-type: none"> - Spark gap should be 0.150" (3.8mm) to 0.175" (4.5mm) from the electrode tip and the pilot burner. To ensure proper electrode location, tighten securing nut (finger tight plus 1/4 turn). 													
	No gas at the pilot burner.	<ul style="list-style-type: none"> - Check that the manual valve is turned on. - Check the pilot orifice for blockage. - Replace the valve. - Call the gas distributor. 													
Flames are consistently too large or too small. Carboning occurs.	Unit is over-fired or underfired. 	<ul style="list-style-type: none"> - Check pressure readings: - Inlet pressure can be checked by turning screw (A) counter-clockwise 2 or 3 turns and then placing pressure gauge tubing over the test point. Gauge should read as described on the chart below. Check with main burner is operating on 'HI'. - Outlet pressure can be checked the same as above using screw (B). Gauge should read as described on the chart below. Check that main burner is operating on 'HI'. - AFTER TAKING PRESSURE READINGS, BE SURE TO TURN SCREWS CLOCKWISE FIRMLY TO RESEAL. DO NOT OVER TORQUE. - Leak test with a soap and water solution. 													
		<table border="1"> <thead> <tr> <th>Pressure</th> <th>Natural Gas (inches)</th> <th>Natural Gas (millibars)</th> <th>Propane (inches)</th> <th>Propane (millibars)</th> </tr> </thead> <tbody> <tr> <td>Inlet</td> <td>7" (MIN. 4.5")</td> <td>17.4mb (MIN. 11.2mb)</td> <td>13" (MIN. 11")</td> <td>32.4mb (MIN. 27.4mb)</td> </tr> <tr> <td>Outlet</td> <td>3.5"</td> <td>8.7mb</td> <td>10"</td> <td>24.9mb</td> </tr> </tbody> </table>	Pressure	Natural Gas (inches)	Natural Gas (millibars)	Propane (inches)	Propane (millibars)	Inlet	7" (MIN. 4.5")	17.4mb (MIN. 11.2mb)	13" (MIN. 11")	32.4mb (MIN. 27.4mb)	Outlet	3.5"	8.7mb
Pressure	Natural Gas (inches)	Natural Gas (millibars)	Propane (inches)	Propane (millibars)											
Inlet	7" (MIN. 4.5")	17.4mb (MIN. 11.2mb)	13" (MIN. 11")	32.4mb (MIN. 27.4mb)											
Outlet	3.5"	8.7mb	10"	24.9mb											
Flames are very aggressive.	Door is ajar.	<ul style="list-style-type: none"> - Ensure the mechanical means of securing the door is providing a tight seal. 													
	Venting action is too great.	<ul style="list-style-type: none"> - Check to ensure venting is properly sealed. - If restriction is required see "RESTRICTING VERTICAL VENT" section. 													
Carbon is being deposited on glass, logs or combustion chamber surfaces.	Air shutter has become blocked.	<ul style="list-style-type: none"> - Ensure air shutter opening is free of lint or other obstructions. 													
	Flame is impinging on the logs or combustion chamber.	<ul style="list-style-type: none"> - Check that the logs are correctly positioned. - Open air shutter to increase the primary air. - Check the input rate: check the manifold pressure and orifice size as specified by the rating plate values. - Check that the door gasketing is not broken or missing and that the seal is tight. - Check that both vent liners are free of holes and well sealed at all joints. - Check that minimum rise per foot (meter) has been adhered to for any horizontal venting. 													

SYMPTOM	PROBLEM	TEST SOLUTION
White / grey film forms.	Sulphur from fuel is being deposited on glass, logs or combustion chamber surfaces.	<ul style="list-style-type: none"> - Clean the glass with a recommended gas appliance glass cleaner. - DO NOT CLEAN GLASS WHEN HOT. - If deposits are not cleaned off regularly, the glass may become permanently marked.
Exhaust fumes smelled in room, headaches.	Appliance is spilling.	<ul style="list-style-type: none"> - Ensure exhaust bracket gasket seal. - Check door seal and relief flap seal. - Check for chimney blockage. - Check that chimney is installed to building code. - Room is in negative pressure; increase fresh air supply. - Check cap gasket on the flue pipe assembly.
Remote wall switch is in 'OFF' position; main burner comes on when gas knob is turned to 'ON' position.	Wall switch is mounted upside down.	- Reverse.
	Remote wall switch is grounding.	- Replace.
	Remote wall switch wire is grounding.	- Check for ground (short); repair ground or replace wire.
	Faulty valve.	- Replace.
42.3_3		
Main burner and pilot cycles on and off.	Venting is spilling.	<ul style="list-style-type: none"> - Test with spill switch bypassed. Replace if defective. - Check for vent blockage.

18.0 WARRANTY

NAPOLEON® products are manufactured under the strict Standard of the world recognized ISO 9001 : 2008 Quality Assurance Certificate.

NAPOLEON® products are designed with superior components and materials assembled by trained craftsmen who take great pride in their work. The burner and valve assembly are leak and test-fired at a quality test station. The complete appliance is again thoroughly inspected by a qualified technician before packaging to ensure that you, the customer, receives the quality product that you expect from NAPOLEON®.

NAPOLEON® GAS APPLIANCE PRESIDENT'S LIFETIME LIMITED WARRANTY

The following materials and workmanship in your new NAPOLEON® gas appliance are warranted against defects for as long as you own the appliance. This covers: combustion chamber, heat exchanger, stainless steel burner, phazer™ logs and embers, rocks, ceramic glass (thermal breakage only), gold plated parts against tarnishing, porcelainized enameled components and aluminum extrusion trims.*

Electrical (110V and millivolt) components and wearable parts such as blowers, gas valves, thermal switch, switches, wiring, remote controls, ignitor, gasketing, and pilot assembly are covered and NAPOLEON® will provide replacement parts free of charge during the first year of the limited warranty.*

Labour related to warranty repair is covered free of charge during the first year. Repair work, however, requires the prior approval of an authorized company official. Labour costs to the account of NAPOLEON® are based on a predetermined rate schedule and any repair work must be done through an authorized NAPOLEON® dealer.

* Construction of models vary. Warranty applies only to components included with your specific appliance.

CONDITIONS AND LIMITATIONS

NAPOLEON® warrants its products against manufacturing defects to the original purchaser only. Registering your warranty is not necessary. Simply provide your proof of purchase along with the model and serial number to make a warranty claim. NAPOLEON® reserves the right to have its representative inspect any product or part thereof prior to honouring any warranty claim. Provided that the purchase was made through an authorized NAPOLEON® dealer your appliance is subject to the following conditions and limitations:

Warranty coverage begins on the date of original installation.

This factory warranty is non-transferable and may not be extended whatsoever by any of our representatives.

The gas appliance must be installed by a licensed, authorized service technician or contractor. Installation must be done in accordance with the installation instructions included with the product and all local and national building and fire codes.

This limited warranty does not cover damages caused by misuse, lack of maintenance, accident, alterations, abuse or neglect and parts installed from other manufacturers will nullify this warranty.

This limited warranty further does not cover any scratches, dents, corrosion or discoloring caused by excessive heat, abrasive and chemical cleaners nor chipping on porcelain enamel parts, mechanical breakage of PHAZER™ logs and embers.

This warranty extends to the repair or replacement of warranted parts which are defective in material or workmanship provided that the product has been operated in accordance with the operation instructions and under normal conditions.

After the first year, with respect to this President's Lifetime Limited Warranty, NAPOLEON® may, at its discretion, fully discharge all obligations with respect to this warranty by refunding to the original warranted purchaser the wholesale price of any warranted but defective part(s).

NAPOLEON® will not be responsible for installation, labour or any other expenses related to the reinstallation of a warranted part and such expenses are not covered by this warranty.

Notwithstanding any provisions contained in the President's Lifetime Limited Warranty, NAPOLEON'S responsibility under this warranty is defined as above and it shall not in any event extend to any incidental, consequential or indirect damages.

This warranty defines the obligations and liability of NAPOLEON® with respect to the NAPOLEON® gas appliance and any other warranties expressed or implied with respect to this product, its components or accessories are excluded.

NAPOLEON® neither assumes, nor authorizes any third party to assume, on its behalf, any other liabilities with respect to the sale of this product.

NAPOLEON® will not be responsible for: over-firing, downdrafts, spillage caused by environmental conditions such as rooftops, buildings, nearby trees, hills, mountains, inadequate vents or ventilation, excessive venting configurations, insufficient makeup air, or negative air pressures which may or may not be caused by mechanical systems such as exhaust fans, furnaces, clothes dryers, etc.

Any damages to the appliance, combustion chamber, heat exchanger, plated trim or other components due to water, weather damage, long periods of dampness, condensation, damaging chemicals or cleaners will not be the responsibility of NAPOLEON®.

All parts replaced under the President's Limited Lifetime Warranty Policy are subject to a single claim.

During the first 10 years NAPOLEON® will replace or repair the defective parts covered by the lifetime warranty at our discretion free of charge. From 10 years to life, NAPOLEON® will provide replacement parts at 50% of the current retail price.

All parts replaced under the warranty will be covered for a period of 90 days from the date of their installation.

The manufacturer may require that defective parts or products be returned or that digital pictures be provided to support the claim. Returned products are to be shipped prepaid to the manufacturer for investigation. If a product is found to be defective, the manufacturer will repair or replace such defect.

Before shipping your appliance or defective components, your dealer must obtain an authorization number. Any merchandise shipped without authorization will be refused and returned to sender.

Shipping costs are not covered under this warranty.

Additional service fees may apply if you are seeking warranty service from a dealer.

Warranty labour allowance is only for the replacement of the warranted part. Travel, diagnostic tests, shipping and other related charges are not covered by this warranty.

ALL SPECIFICATIONS AND DESIGNS ARE SUBJECT TO CHANGE WITHOUT PRIOR NOTICE DUE TO ON-GOING PRODUCT IMPROVEMENTS. NAPOLEON® IS A REGISTERED TRADEMARK OF WOLF STEEL LTD.

AS REQUIRED BY THE DEPARTMENT OF ENERGY IN THE UNITED STATES, 10 CFR PART 430, THE WARRANTY IS VOID IF THIS PRODUCT IS USED WITH A THERMOSTAT. THIS APPLIES TO PRODUCT INSTALLED IN THE UNITED STATES, ONLY.

Other Napoleon Products



Fireplace Inserts • Charcoal Grills • Gas Fireplaces • Waterfalls • Wood Stoves
Heating & Cooling • Electric Fireplaces • Outdoor Fireplaces • Gourmet Grills



24 Napoleon Road, Barrie, Ontario, Canada L4M 0G8
214 Bayview Drive, Barrie, Ontario, Canada L4N 4Y8
103 Miller Drive, Crittenden, Kentucky, USA 41030
7200 Trans Canada Highway, Montreal, Quebec, Canada H4T 1A3

Fireplaces / Heating & Cooling call: 705-721-1212 • Grills call: 705-726-4278
napoleonproducts.com

INSTALLATEUR : LAISSEZ CE MANUEL AVEC L'APPAREIL.
PROPRIÉTAIRE : CONSERVEZ CE MANUEL POUR CONSULTATION ULTÉRIEURE.
NE LAISSEZ PAS LES ENFANTS OU AUTRES INDIVIDUS À RISQUE SEULS À PROXIMITÉ DE L'APPAREIL.



INSTRUCTIONS D'INSTALLATION ET D'OPÉRATION

FR

CONFORME AUX LES NORMES NATIONALES AMÉRICAINES: ANSI Z21.50, CERTIFIÉ CANADIENNES: CSA 2.22 FOYER À GAZ VENTILÉ

CERTIFIÉ POUR LE CANADA ET LES ÉTATS-UNIS SELON LES MÉTHODES ANSI/CSA.

CONSIGNES DE SÉCURITÉ

! AVERTISSEMENT

Si ces instructions ne sont pas suivies à la lettre, un incendie ou une explosion pourraient s'ensuivre, causant des dommages matériels, des blessures corporelles ou des pertes de vie.

- N'entreposez pas et n'utilisez pas d'essence ou autres liquides et vapeurs inflammables à proximité de cet appareil ou tout autre appareil.
- QUE FAIRE SI VOUS DÉTECTEZ UNE ODEUR DE GAZ :
 - N'allumez aucun appareil.
 - Ne touchez à aucun interrupteur électrique; n'utilisez aucun téléphone dans votre immeuble.
 - Appelez immédiatement votre fournisseur de gaz d'un téléphone voisin. Suivez ses instructions.
 - Si vous ne pouvez pas rejoindre votre fournisseur de gaz, appelez le service des incendies.
- L'installation et l'entretien doivent être faits par un installateur qualifié, une agence d'entretien ou le fournisseur.

Cet appareil peut être installé dans une maison préfabriquée (mobile) déjà installée à demeure si les règlements locaux le permettent.

Cet appareil doit être utilisé uniquement avec le type de gaz indiqué sur la plaque signalétique. Cet appareil ne peut être converti à d'autres gaz, sauf si une trousse de conversion est utilisée.

Produit décoratif : Ne pas utiliser comme appareil de chauffage.



ÉCRAN DE PROTECTION

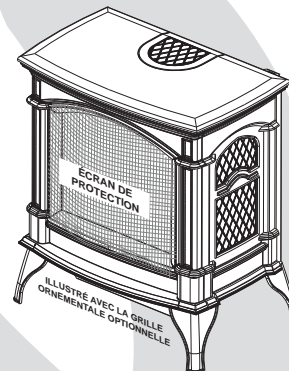


Système de qualité certifié
ISO
9001-2008



**GDS60-1NSP &
GS60-1NSP**
GAZ NATUREL

**GDS60-1NNSP &
GS60-1NNSP**
GAZ PROPANE



! AVERTISSEMENT



**LA VITRE CHAUDE CAUSERA
DES BRÛLURES.**

**NE PAS TOUCHER LA VITRE
AVANT QU'ELLE AIT REFROIDI.**

**NE JAMAIS LAISSER LES
ENFANTS TOUCHER LA VITRE.**

**Une barrière conçu à réduire le risque de brûlures à
partir de le chaude la vitre est à condition que avec
l'appareil et sera être installés.**

Wolf Steel Ltd., 24 Napoleon Rd., Barrie, ON, L4M 0G8 Canada /
103 Miller Drive, Crittenden, Kentucky, USA, 41030

Téléphone 705-721-1212 • Télécopieur 705-722-6031 • www.napoleonfoyers.com • ask@napoleon.on.ca

TABLE DES MATIÈRES

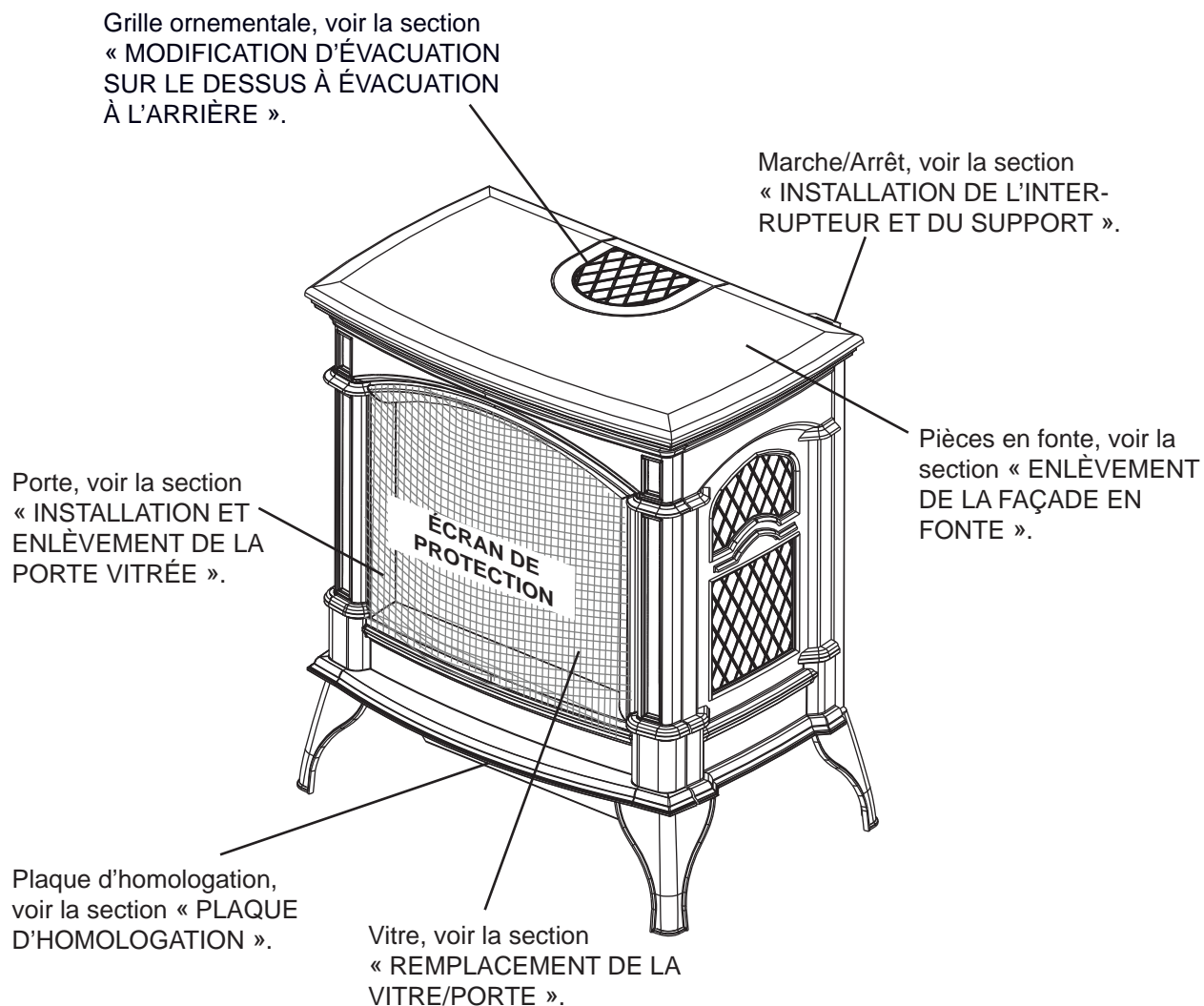


NOTE: L'icône du camera indique que les vidéos sont disponibles comme une référence supplémentaire, visitez <http://www.napoleonfireplaces.com/category/product-support/support-centre/>

1.0	VUE D'ENSEMBLE DE L'INSTALLATION	63
2.0	INTRODUCTION	64
2.1	DIMENSIONS	65
2.2	INSTRUCTIONS GÉNÉRALES	65
2.3	INFORMATION GÉNÉRALE	66
2.4	INFORMATION À PROPOS DE LA PLAQUE D'HOMOLOGATION	67
2.5	SUPPORT DE TRANSPORT	68
3.0	ÉVACUATION - MODÈLE GDS60-1	69
3.1	LONGUEURS DES CONDUITS D'ÉVACUATION ET COMPOSANTS	70
3.2	INSTALLATIONS TYPIQUES D'ÉVÉNEMENTS	71
3.3	INSTALLATIONS PARTICULIÈRES D'ÉVÉNEMENTS	73
3.3.1	ENSEMBLE PÉRISCOPIQUE	73
3.3.2	INSTALLATION EN COIN	73
3.4	DÉGAGEMENTS DE LA TERMINAISON	74
3.5	CHARTRE D'APPLICATION DES ÉVACUATIONS	75
3.6	LÉGENDE	76
3.7	VALEUR DU COUDE EN LONGUEUR D'ÉVÉNEMENT	76
3.8	ÉVACUATION SUR LE DESSUS/TERMINAISON HORIZONTALE	77
3.9	ÉVACUATION SUR LE DESSUS/TERMINAISON HORIZONTALE	78
3.10	ÉVACUATION À L'ARRIÈRE/TERMINAISON HORIZONTALE	79
3.11	ÉVACUATION SUR LE DESSUS OU À L'ARRIÈRE/TERMINAISON VERTICALE	81
4.0	PRÉPARATIFS POUR L'INSTALLATION - MODÈLE GDS60-1	83
4.1	REMPLACEMENT DE L'INJECTEUR DE BRÛLEUR	83
4.2	MODIFICATION D'ÉVACUATION SUR LE DESSUS À ÉVACUATION À L'ARRIÈRE	84
5.0	INSTALLATION	85
5.2	DÉGAGEMENTS MINIMAUX AUX MATÉRIAUX COMBUSTIBLES	86
5.1	PROTECTION DU MUR ET DU PLAFOND	86
5.2.2	INSTALLATION HORIZONTALE	87
5.2.1	INSTALLATION VERTICALE	87
5.2.3	INSTALLATION DE LA TERMINAISON HORIZONTALE - MODÈLE GDS60-1	88
5.2.4	INSTALLATION DE LA TERMINAISON VERTICALE - MODÈLE GDS60-1	89
5.3	RACCORDEMENT DES ÉVÉNEMENTS À L'APPAREIL - MODÈLE GDS60-1	90
5.4	TERMINAISON VERTICALE À TRAVERS UNE CHEMINÉE EXISTANTE	91
5.6	INSTALLATION DANS UNE MAISON MOBILE - MODÈLE GDS60-1	92
5.5	BRANCHEMENT DU GAZ	92
5.8	INTERRUPTEUR / THERMOSTAT MURAL OPTIONNEL	93
5.7	SPÉCIFICATION POUR LE TIRAGE NATUREL - MODÈLE GS60-1	93
5.7.1	INSTALLATION DE LA CHEMINÉE	93
5.8.1	INSTALLATION DU TIRAGE NATUREL	94
5.8.2	TIRAGE NATUREL	94
5.8.3	AIR COMBURANT	94
5.8.4	AJOUT DE SECTIONS D'ÉVÉNEMENTS	95
5.8.5	INSTALLATION DU SOLIN ET DU COLLET DE SOLIN	96
6.0	FINITION	97
6.1	ENLÈVEMENT DE LA FAÇADE EN FONTE	97
6.3	INSTALLATION ET ENLÈVEMENT DE L'ÉCRAN DE PROTECTION	97
6.2	ENLÈVEMENT ET INSTALLATION DE LA PORTE VITRÉE	97
6.4	REMPLACEMENT DE LA VITRE DE PORTE	98
6.5	DISPOSITION DES BÛCHES	98
6.6	MISE EN PLACE DU LOGO	99
6.7	INSTALLATION DE L'INTERRUPTEUR ET DU SUPPORT	100
7.0	INSTALLATION DE LA SOUFFLERIE	101
8.0	SCHÉMA DE CÂBLAGE	102
9.0	FONCTIONNEMENT	103
9.1	INSTRUCTIONS DE FONCTIONNEMENT	103
9.2	INSTRUCTIONS DE FONCTIONNEMENT - POUR VOTRE SÉCURITÉ, LISEZ CE QUI SUIT AVANT D'ALLUMER L'APPAREIL	104
9.3	INSTRUCTIONS D'ALLUMAGE	104
10.0	RÉGLAGES	105
10.1	RÉGLAGE DE LA VEILLEUSE	105
10.2	RÉGLAGE DU VENTURI	105
10.3	CARACTÉRISTIQUES DE LA FLAMME	106
10.4	ÉTRANGLEMENT DES ÉVÉNEMENTS VERTICAUX - MODÈLE GDS60-1	106
11.0	ENTRETIEN	107
11.1	SOINS DE LA VITRE	108
11.2	ENTRETIEN ANNUEL	108
12.0	RECHANGES	109
13.0	VUE D'ENSEMBLE	110
14.0	ACCESSOIRES	111
15.0	L'ASSEMBLAGE DE LA SOUPAPE	112
16.0	VENTILATION	113
17.0	GUIDE DE DÉPANNAGE	114
18.0	GARANTIE	117
19.0	HISTORIQUE D'ENTRETIEN	118
20.0	NOTES	119

NOTE : Les changements autres que de nature éditoriale sont dénotés par une ligne verticale dans la marge.

1.0 VUE D'ENSEMBLE DE L'INSTALLATION

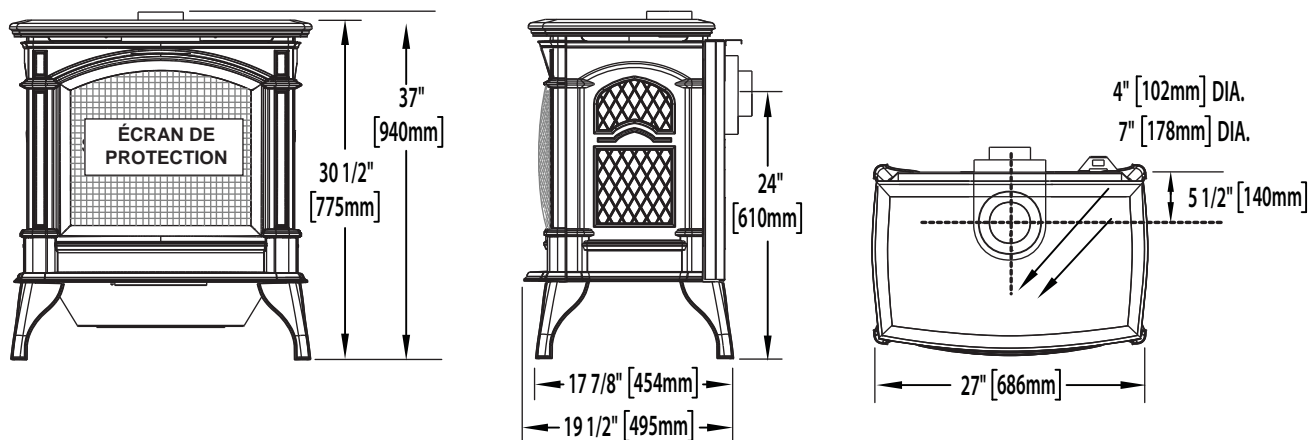


FR

! AVERTISSEMENT

- **CET APPAREIL EST CHAUD LORSQU'IL FONCTIONNE ET PEUT CAUSER DE GRAVES BRÛLURES EN CAS DE CONTACT.**
- **TOUTE MODIFICATION APPORTÉE À CET APPAREIL OU AUX CONTRÔLES PEUT ÊTRE DANGEREUX ET EST INTERDIT.**
- Ne faites pas fonctionner l'appareil avant d'avoir lu et compris les instructions d'opération. Omettre d'utiliser l'appareil selon les instructions d'opération pourrait causer un incendie ou des blessures.
- Risque d'incendie ou d'asphyxie. Ne faites pas fonctionner l'appareil avec la vitre retirée.
- Ne branchez pas la soupape à du courant 110 volts.
- Risque de brûlures. L'appareil doit être éteint et refroidi avant d'effectuer un entretien.
- N'installez pas de composants endommagés ou incomplets ni des composants substitués.
- Risque de coupures et d'éraflures. Portez des gants protecteurs et des lunettes de sécurité lors de l'installation. Les bordures des pièces de métal peuvent être coupantes.
- Ne brûlez pas de bois ou autres matériaux dans cet appareil.
- Les enfants et les adultes devraient être informés des dangers que posent les températures de surface élevées et se tenir à distance afin d'éviter des brûlures ou que leurs vêtements ne s'enflamment.
- Les jeunes enfants doivent être supervisés attentivement lorsqu'ils sont dans la même pièce que l'appareil. Les jeunes enfants et autres personnes sont sujets aux brûlures accidentelles. Une barrière de protection est recommandée si des individus à risque se trouvent dans la maison. Afin de restreindre l'accès à l'appareil, installez une barrière de protection ajustable pour garder les jeunes enfants ou autres personnes à risque hors de la pièce et loin des surfaces chaudes.
- Les vêtements et autres matériaux combustibles ne doivent pas être posés sur l'appareil ou à proximité.
- En raison des températures élevées, l'appareil devrait être placé loin des endroits passants et loin des meubles et des rideaux.
- Assurez-vous de disposer de mesures de sécurité adéquates pour empêcher les jeunes enfants de toucher aux surfaces chaudes.
- Même une fois que l'appareil est éteint, la vitre et/ou le pare-étincelles demeureront chauds pendant un temps prolongé.
- Consultez votre détaillant local de foyer pour connaître les grillages de sécurité et les écrans offerts pour protéger les enfants des surfaces chaudes. Ces grillages de sécurité et ces écrans doivent être fixés au plancher.
- Tout grillages de sécurité, écrans ou barrière enlevés pour faire l'entretien devront être remis en place avant d'utiliser l'appareil.
- Cet appareil est un appareil à gaz ventilé. Ne brûlez pas de bois ou autres matériaux dans cet appareil.
- Il est primordial de garder propres les compartiments de contrôle, les brûleurs, la soufflerie, les bouches d'air de l'appareil ainsi que le système d'évacuation. L'appareil et son système d'évacuation doivent être inspectés avant la première utilisation et au moins une fois l'an par un spécialiste en entretien. Un entretien plus fréquent pourrait être nécessaire en raison des peluches provenant des tapis, literie, etc. L'emplacement de l'appareil doit être gardé libre de tous matériaux combustibles, essence ou autres liquides et vapeurs inflammables.
- Cet appareil ne devra être modifié en aucun cas.
- Cet appareil ne doit pas être raccordé au conduit d'une cheminée desservant un autre appareil de chauffage à combustible solide.
- N'utilisez pas cet appareil si une partie quelconque a été submergée. Contactez immédiatement un technicien de service qualifié pour inspecter l'appareil et pour remplacer toute pièce du système de contrôle et du contrôle du gaz qui aurait été submergée.
- Ne pas opérer l'appareil lorsque la porte vitrée est enlevée, fissurée ou brisée. Le remplacement de la vitre devra être effectué par un technicien de service certifié ou qualifié.
- Ne frappez pas et ne claquez pas la porte vitrée de l'appareil.
- Lorsque l'appareil est muni de portes d'évacuation de pression, elles doivent demeurer fermées pendant le fonctionnement de l'appareil afin d'empêcher les gaz de combustion contenant du monoxyde de carbone de s'infiltrer dans la maison.
- Seules les portes/façades certifiées pour cet appareil peuvent être utilisées avec cet appareil.
- Gardez les matériaux d'emballage hors de la portée des enfants et mettez ces matériaux au rebut de façon sécuritaire. Comme tous les emballages de plastique, ces matériaux ne sont pas des jouets et doivent demeurer hors de la portée des enfants et des bébés.
- Comme dans le cas de tout appareil à combustion, il est recommandé de faire inspecter et entretenir votre appareil régulièrement. De même, installez un détecteur de monoxyde de carbone dans la pièce pour vous protéger, ainsi que votre famille, contre les intoxications.
- Assurez-vous de respecter les dégagements aux matériaux combustibles lorsque vous installez un manteau ou des tablettes au-dessus de l'appareil. Les téléviseurs et autres composants électroniques soumis à des températures élevées peuvent fondre, se déformer, se décolorer et entraîner des défaillances prématurées de ces appareils.
- Cet appareil utilise et requiert un thermocouple à action rapide. Remplacez uniquement par un thermocouple à action rapide de Wolf Steel Itée.
- Une barrière conçu à réduire le risque de brûlures causées par le verre chaud est fourni avec l'appareil et sera installé.
- Si la barrière est endommagée, elle devra être remplacée par la barrière conçu par le fabricant pour cet appareil.
- L'installation et la réparation devraient être effectuées par un technicien qualifié. L'appareil et son système d'évacuation devraient être inspectés avant l'utilisation initiale et au moins une fois l'an par un professionnel qualifié. Un nettoyage plus réquent peut être requis en raison de la poussière excessive laissée par les moquettes, les couvertures, etc. Il est impératif que les compartiments de contrôle, le brûleur et les passages de circulation d'air soient gardés propres afin de fournir une combustion et une circulation d'air adéquates.

2.1 DIMENSIONS



2.2 INSTRUCTIONS GÉNÉRALES

! AVERTISSEMENT
ALLUMEZ TOUJOURS LA VEILLEUSE, QUE CE SOIT POUR LA PREMIÈRE FOIS OU LORSQUE L'APPROVISIONNEMENT EN GAZ EST ÉPUISÉ, AVEC LA PORTE VITRÉE OUVERTE OU RETIRÉE.
PRÉVOYEZ UN ACCÈS SUFFISANT POUR ENTREtenir ET OPÉRER L'APPAREIL. ASSUREZ-VOUS D'UNE QUANTITÉ SUFFISANTE D'AIR DE VENTILATION.
N'OBSTRUEZ JAMAIS L'OUVERTURE DE L'APPAREIL.
LES OBJETS PLACÉS DEVANT L'APPAREIL DOIVENT ÊTRE GARDÉS À UNE DISTANCE D'AU MOINS 48" (1219.2mm) DE LA FACE VITRÉE DE L'APPAREIL.
LES SURFACES AUTOUR ET SURTOUT AU-DESSUS DE L'APPAREIL PEUVENT DEVENIR CHAUDES. NE TOUCHEZ PAS L'APPAREIL QUAND IL FONCTIONNE.
RISQUE D'INCENDIE OU D'EXPLOSION.
LES PRESSIONS ÉLEVÉES ENDOMMAGERONT LA SOUPAPE. L'ALIMENTATION EN GAZ DOIT ÊTRE DÉBRANCHÉE PENDANT LES ESSAIS DE PRESSIOn DE CE SYSTÈME LORSQUE LES PRESSIONS D'ESSAI EXCÈDENT 1/2 LB/PO² (3,5 KPA). FERMEZ LA SOUPAPE D'ARRÊT MANUELLE PENDANT TOUT ESSAI DE PRESSIOn DU SYSTÈME D'ALIMENTATION EN GAZ LORSQUE LA PRESSIOn EST DE 1/2 LB/PO² (3,5 mb) OU MOINS.
N'UTILISEZ QUE LES ACCESSOIRES OPTIONNELS ET LES PIÈCES DE RECHANGE APPROUVÉS PAR WOLF STEEL POUR CET APPAREIL. L'UTILISATION D'ACCESSOIRES NON LISTÉS (SOUFFLERIE, PORTES, PERSIENNES, MOULURES, COMPOSANTS DE GAZ, COMPOSANTS D'ÉVACUATION, ETC.) POURRAIT ÊTRE NON SÉCURITAIRE ET ANNULERA LA GARANTIE ET LA CERTIFICATION.

CET APPAREIL AU GAZ DEVRAIT ÊTRE INSTALLÉ ET ENTRETENU PAR UN INSTALLATEUR QUALIFIÉ en se conformant aux codes locaux. Les pratiques d'installation peuvent varier d'une région à l'autre. Il est donc important de connaître les normes spécifiques qui s'appliquent à votre région. Par exemple dans l'état du Massachusetts:

- Ce produit doit être installé par un plombier certifié ou un installateur pour le gaz lorsque installé dans le Commonwealth du Massachusetts.
- Le registre de l'appareil doit être enlevé ou bloqué en le soudant en position ouverte avant d'installer un encastré ou un ensemble de bûches à gaz.
- La soupape d'arrêt doit être un robinet à gaz avec une poignée en T.
- Le raccord flexible ne doit pas mesurer plus que 36 pouces (914.4mm).
- Un détecteur de monoxyde de carbone est requis dans toutes les pièces contenant des appareils alimentés au gaz.
- L'appareil n'est pas approuvé pour installation dans une chambre à coucher ou une salle de bain à moins d'être un appareil avec une chambre de combustion scellée à évacuation directe.

L'installation doit se conformer aux codes locaux. En l'absence de codes locaux, l'installation doit être conforme au Code d'installation du gaz naturel et du propane CSA B149.1 au Canada ou au National Fuel Gas Code, ANSI Z223.1/ NFPA 54 aux États-Unis. Cet appareil convient pour installation dans une maison mobile si l'installation est conforme aux normes actuelles pour les maisons mobiles équipées au gaz CAN/CSA Z240 SÉRIE MM au Canada ou selon les normes ANSI Z223.1 et NFPA 54 aux États-Unis.

Tant que les distances requises pour les dégagements aux matériaux combustibles sont respectées, le meilleur endroit pour un appareil est le centre de la maison, car ceci permet une meilleure utilisation de la chaleur fournie. L'emplacement des fenêtres, des portes et la circulation dans la pièce où se trouve l'appareil devront être pris en considération. Si possible, vous devriez choisir un emplacement où le système d'évent peut passer à travers la maison sans avoir à découper des solives de plancher ou de toit.

Si l'appareil est installé directement sur un tapis, sur une surface de vinyle ou tout autre revêtement de plancher combustible autre que le bois, l'appareil devra être monté sur un panneau continu de métal ou de bois se prolongeant sur toute la largeur et la profondeur.

Certains appareils ont une soufflerie ou un ensemble de deux souffleries optionnel. Si la soufflerie ou l'ensemble de deux souffleries optionnel est installé, la boîte de dérivation doit être branchée au circuit électrique et mise à la terre conformément aux codes locaux. Utilisez la version courante du Code canadien de l'électricité CSA C22.1 au Canada ou le National Electrical Code ANSI/NFPA 70 aux États-Unis.

4.1B

Lorsque l'appareil est installé directement sur un tapis, sur une surface de vinyle ou tout autre revêtement de plancher combustible autre que le bois, l'appareil devra être monté sur un panneau continu de métal ou de bois se prolongeant sur toute la largeur et la profondeur.

S'il est équipé d'une soufflerie, l'appareil doit être branché au circuit électrique et mis à la terre conformément aux codes locaux. En l'absence de codes locaux, utilisez la version courante du CODE CANADIEN DE L'ÉLECTRICITÉ CSA C22.1 au Canada ou du NATIONAL ELECTRICAL CODE ANSI/NFPA 70-1996 aux États-Unis. Le cordon d'alimentation de la soufflerie doit être branché dans une prise adéquatement mise à la terre. Ne retirez pas la pointe de mise à la terre de la fiche du cordon d'alimentation.

2.3 INFORMATION GÉNÉRALE

POUR VOTRE SATISFACTION, CET APPAREIL A ÉTÉ MIS À L'ESSAI POUR CONFIRMER SON FONCTIONNEMENT ET SA QUALITÉ !

	GDS60-1		GS60-1	
	GN	PL	GN	PL
Altitude (PI)	0-4500	0-4500	0-4500	0-4500
Débit minimal (BTU/H)	35000 (Évac. dessus) *21000 (Évac. arrière)	31500 (Évac. dessus) *16380 (Évac. arrière)	35000	31500
Débit maximal (BTU/H)	27300	24570	27300	24570
Efficacité maximale à régime continu (souf. allumée)	78 %	78 %	78 %	78 %
Max. A.F.U.E.	72 %	71 %	72 %	71 %
Pression minimale d'alimentation en gaz	4,5" Colonne d'eau (11mb)	11" Colonne d'eau (27mb)	4,5" Colonne d'eau (11mb)	11" Colonne d'eau (27mb)
Pression maximale d'alimentation en gaz	7" Colonne d'eau (17mb)	13" Colonne d'eau (32mb)	7" Colonne d'eau (17mb)	13" Colonne d'eau (32mb)
Pression au collecteur (lorsque le gaz circule)	3,5" Colonne d'eau (9mb)	10" Colonne d'eau (25mb)	3,5" Colonne d'eau (9mb)	10" Colonne d'eau (25mb)

***Pour les sorties horizontales au large de l'arrière seulement.**



NATIONAL FIREPLACE INSTITUTE
NFI
CERTIFIED
www.nficertified.org

Nous suggérons que nos appareils au gaz soient installés et que l'entretien soit effectué par des professionnels certifiés par le National Fireplace Institute® (NFI) comme spécialiste du gaz NFI.

Lorsque l'appareil est installé à des élévations dépassant 4500 pieds (1371m), et en l'absence de recommandations spécifiques de l'autorité compétente locale, l'indice certifié du débit à haute altitude devra être réduit au taux de 4 % pour chaque 1000 pieds (308m) supplémentaires.

Le changement de l'apparence de la flamme de « H » à « LO » est plus apparent pour le gaz naturel que pour le propane.


Les bruits causés par l'expansion et la contraction lors des cycles de chauffage et de refroidissement sont tout à fait normaux et il faut s'y attendre.

Cet appareil ne doit fonctionner qu'avec le gaz spécifié sur la plaque d'homologation. Cet appareil ne peut être converti à un autre type de gaz à moins d'utiliser un ensemble de conversion certifié.

GDS60-1 - Cet appareil n'est pas approuvé pour installation dans un placard ou en retrait. Il est approuvé pour installation dans les salles de bain, les chambres à coucher et les chambres studio. Cet appareil peut être installé dans une maison mobile installée en permanence dans les endroits où les codes locaux ne l'interdisent pas. (**Évacuation arrière**) Cette configuration nécessite le remplacement de l'injecteur de brûleur principal, pour les sorties horizontales au large de l'arrière seulement.

GS60-1 - Cet appareil est approuvé pour installation dans les salles de bain et les chambres studio.

2.4 INFORMATION À PROPOS DE LA PLAQUE D'HOMOLOGATION



CONFORMS TO / CONFORME AUX: ANSI Z21.50-2014, CERTIFIED TO / CERTIFIEE CSA 2.22-2014
VENTED GAS FIREPLACE / FOYER À GAZ VENTILÉ.

**NOT FOR USE WITH SOLID FUEL
UN COMBUSTIBLE SOLIDE NE DOIT
PAS ETRE UTILISE AVEC CET APPAREIL**

MODEL CDVS600-1/GDS60-1 APPROVED FOR BEDROOM, BATHROOM & BEDSITTING ROOM INSTALLATION. SUITABLE FOR MOBILE HOME INSTALLATION IF INSTALLED IN ACCORDANCE WITH THE CURRENT STANDARD CAN/CSA Z240MH SERIES GAS EQUIPPED MOBILE HOMES IN CANADA OR IN THE UNITED STATES THE MANUFACTURED HOME CONSTRUCTION AND SAFETY STANDARD, TITLE 24 CFR, PART 3280. WHEN THIS US STANDARD IS NOT APPLICABLE USE THE STANDARD FOR FIRE SAFETY CRITERIA FOR MANUFACTURED HOME INSTALLATIONS, SITES AND COMMUNITIES, ANSI/NFPA 501A. FOR USE WITH BARRIER W010-3296. FOLLOW THE INSTALLATION INSTRUCTIONS LOCATED IN THE INSTALLATION MANUAL.

HOMOLOGUÉ POUR INSTALLATION DANS UNE CHAMBRE À COUCHER, UNE SALLE DE BAIN, UN STUDIO APPROPRIÉ POUR INSTALLATION DANS UNE MAISON MOBILE SI SON INSTALLATION CONFORME AUX EXIGENCES DE LA NORME CAN/CSA Z240MH SERIE DE MAISONS MOBILES EQUIPEES AU GAZ. EN VIGUEUR AU CANADA OU AUX ETATS-UNIS DE LA NORME DE SECURITE ET DE CONSTRUCTION DE MAISONS MANUFACTUREES, TITRE 24 CFR, SECTION 3280. DANS LE CAS OU CETTE NORME D'ETATS-UNIS NE PEUT ETRE APPLIQUEE, SE REFERER A LA NORME RELATIVE AU CRITERE DE MESURES DE SECURITE CONTRE L'INCENDIE POUR LES INSTALLATIONS DANS LES MAISONS MANUFACTUREES, LES SITES ET LES COMMUNAUTES, ANS/NFPA 501A. POUR UNE UTILISER AVEC BARRIERE W010-3296. SUIVEZ LES INSTRUCTIONS D'INSTALLATION SE TROUVENT DANS LE MANUEL D'INSTALLATION.

MODEL NATURAL GAS/GAZ NATURAL

DIRECT VENT		B-VENT	
■ GDS60-1N	■ GS60-1N	■ GS60-1N	■ GS60-1N
■ CDVS600-1N	■ CS600-1N	■ CS600-1N	■ CS600-1N
TOP VENT		REAR VENT	
0-4500	0-4500	0-4500	0-4500
35,000	*21,000	35,000	35,000
21,000	12,000	21,000	21,000
24,500	*14,700		
		63.1%	

ALTITUDE (FT/PT) ELEVATION
INPUT (BTU/H) ALIMENTATION
REDUCED INPUT (BTU/H) ALIMENTATION REDUITE
OUTPUT (BTU/H) RENDEMENT

P4

*WHEN VENTING OFF THE REAR OF THE UNIT AND TERMINATING HORIZONTALLY

MODEL PROPANE/PROPANE MODÈLE

B-VENT		DIRECT VENT	
■ GS60-1P	■ GDS60-1P	■ GDS60-1P	■ GDS60-1P
■ CS600-1P	■ CDVS600-1P	■ CDVS600-1P	■ CDVS600-1P
TOP VENT		REAR VENT	
0-4500	0-4500	0-4500	0-4500
31,500	31,500	*21,000	*21,000
22,000	22,000	*13,000	*13,000
		22,060	*14,700
		63.1%	

ALTITUDE (FT/PT) ELEVATION
INPUT (BTU/H) ALIMENTATION
REDUCED INPUT (BTU/H) ALIMENTATION REDUITE
OUTPUT (BTU/H) RENDEMENT

P4

MANIFOLD PRESSURE: 3.5" W.C. (NG) / 10" INCHES W.C. (LP)
PRESSION AU COLLECTEUR: 3.5" (GN) / 10" (PG) D'UNE COLONNE D'EAU
MIN SUPPLY PRESSURE: 4.5" W.C. (NG) / 11" (LP)
PRESSION D'ALIMENTATION MIN: 4.5" (GN) / 11" (PG) D'UNE COLONNE D'EAU
MAX. SUPPLY PRESSURE: 7" W.C. (NG) / 13" W.C. (LP)
PRESSION D'ALIMENTATION MAX: 7" (GN) / 13" (PG) D'UNE COLONNE D'EAU
FOR USE WITH GLASS DOORS CERTIFIED WITH THIS UNIT ONLY.
UTILISER AVEC LES PORTES VITREES HOMOLOGUEES SEULEMENT AVEC CETTE UNITE.

WARNING: DO NOT ADD ANY MATERIAL TO THE APPLIANCE, WHICH WILL COME IN CONTACT WITH THE FLAMES, OTHER THAN THAT SUPPLIED BY THE MANUFACTURER WITH THE APPLIANCE.
DECORATIVE PRODUCT: NOT FOR USE AS A HEATING APPLIANCE
OPTIONAL BLOWER KIT / ENSEMBLE DE VENTILATEUR FACULTATIF: GS64-KT

AVERTISSEMENT: N'AJOUTEZ PAS A CET APPAREIL AUCUN MATERIAU DEVANT ENTRER EN CONTACT AVEC LES FLAMMES AUTRE QUE CELUI QUI EST FOURNI AVEC CET APPAREIL PAR LE FABRICANT.
PRODUIT DECORATIF: NE PAS UTILISER COMME APPAREIL DE CHAUFFAGE
MINIMUM CLEARANCE TO COMBUSTIBLE MATERIAL / DEGAGEMENTS MINIMAUX DES MATERIAUX COMBUSTIBLES:

A 6"

B 6"

C 2"

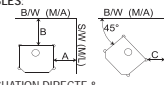
20" TO CEILING FROM STOVE TOP

1" TO DIRECT VENT AND B-VENT / L'EVACUATION DIRECTE & L'EVACUATION B

6" TO C-VENT / A L'EVACUATION C

20" ENTRE LE DESSUS DU FOYER ET LE PLAFOND

ELECTRICAL RATING/CLASS: 115V 1.5AMP 60HZ



LES LONGUEURS HORIZONTALES MINIMALE ET MAXIMALE SONT 25 POUCES ET 20 PIEDS RESPECTIVEMENT POUR UN EVACUATION VERTICALE ET 13 POUCES ET 20 PIEDS RESPECTIVEMENT POUR UN EVACUATION HORIZONTALE.
THE APPLIANCE MUST BE VENTED USING THE APPROPRIATE NAPOLEON VENT KITS. SEE OWNERS INSTALLATION MANUAL FOR VENTING SPECIFICS.
PROPER REINSTALLATION AND RESEALING IS NECESSARY AFTER SERVICING THE VENT-AIR INTAKE SYSTEM.
L'APPAREIL DOIT EVACUER SES GAZ EN UTILISANT L'ENSEMBLE D'EVACUATION PROPRE A NAPOLEON. REFERER AU MANUEL D'INSTALLATION DE PROPRIETAIRE POUR L'EVACUATION PRECISE. IL EST IMPORTANT D'INSTALLER ET RESCELLER L'EVENT APRES AVOIR ASSURE LE MAINTIEN DU SYSTEME DE PRISE D'AIR.

MODEL CS600-1/GS60-1
APPROVED FOR BEDROOM, & BEDSITTING ROOM INSTALLATION. HOMOLOGUE POUR INSTALLATION DANS UNE CHAMBRE À COUCHER, & UN STUDIO. THIS APPLIANCE MUST BE INSTALLED USING AN ADAPTER KIT GS-150KT. CET APPAREIL DOIT ETRE INSTALLE EN UTILISANT UN ENSEMBLE ADAPTEUR GS-150KT.

WOLF STEEL LTD.
24 NAPOLEON ROAD, BARRIE, ON, L4M 0G8 CANADA

SERIAL NUMBER NO. DE SERIE **GDS60-1**

W385-1961

INSTALLATEUR : Il est de votre responsabilité de cocher les cases appropriées sur la plaque d'homologation correspondant au modèle, au type d'évacuation et au type de gaz de l'appareil.

Pour connaître l'emplacement de la plaque d'homologation, voir la section « VUE D'ENSEMBLE DE L'INSTALLATION ».

Cette illustration est à titre de référence seulement. Consultez la plaque d'homologation pour obtenir l'information précise.

NOTE: La plaque d'homologation doit rester avec l'appareil à tout le temps. Il ne doit pas être enlevé.

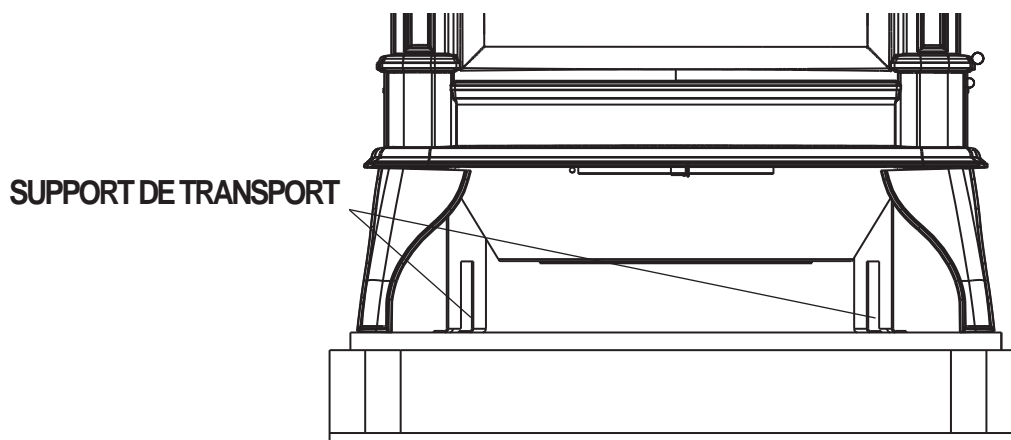
Une barrière conçu à réduire le risque de brûlures à partir de la chaude la vitre est à condition que avec l'appareil et sera être installés.

! AVERTISSEMENT

LE DESSUS DU POÊLE N'EST PAS FIXÉ À L'APPAREIL. IL REPOSE SUR L'APPAREIL, TEL UN COUVERCLE. À DES FINS DE TRANSPORT, IL EST MAINTENU EN PLACE À L'AIDE DE COURROIES DE PLASTIQUE. UNE FOIS LES COURROIES COUPÉES, LE DESSUS DU POÊLE DOIT ÊTRE SOULEVÉ MINUTIEUSEMENT ET RANGÉ DANS UN ENDROIT SÉCURITAIRE POUR ÉVITER DE L'ENDOMMAGER DURANT L'INSTALLATION DE L'APPAREIL. POUR ÉVITER TOUS DOMMAGES À L'APPAREIL DURANT LE TRANSPORT, UN SUPPORT DE TRANSPORT A ÉTÉ INSTALLÉ ET DOIT ÊTRE RETIRÉ AVANT L'INSTALLATION DE L'APPAREIL.

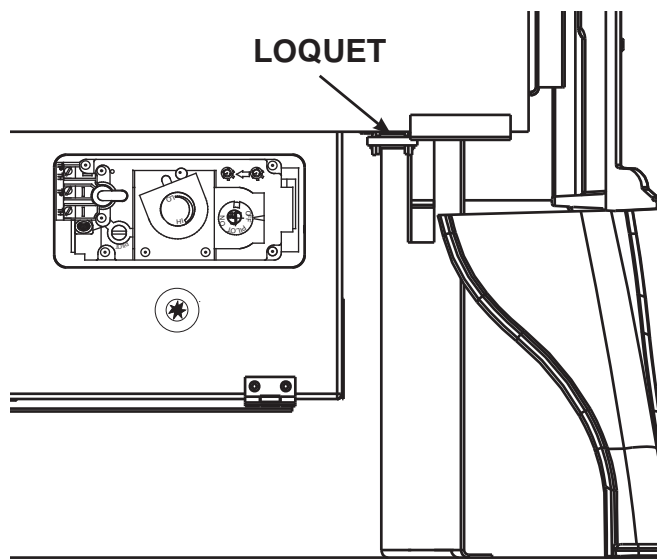
ENLÈVEMENT DU SUPPORT DE TRANSPORT

- A. Enlevez les 4 vis retenant le support de transport au bas de l'appareil.
- B. Soulevez l'appareil hors de la palette et placez-le sur une surface plate.
- C. Jetez les vis, le support et la palette.



ENLÈVEMENT DE LA PORTE VITRÉE

- A. Retirez la pièce moulée supérieure de l'appareil.
- B. Ouvrez la porte de contrôle de la soupape. Tirez la poignée des loquets vers l'avant pour ouvrir. La porte peut maintenant être enlevée en toute sécurité, en tirant sur le bas et en la soulevant.



3.0 ÉVACUATION - MODÈLE GDS60-1

AVERTISSEMENT

RISQUE D'INCENDIE. CONSERVEZ LES DÉGAGEMENTS NÉCESSAIRES AU CONDUIT D'ÉVENT ET À L'APPAREIL.

SI LE SYSTÈME D'ÉVENT EST FOURNI AVEC DES ESPACEURS, LES COURSES HORIZONTALES ET VERTICALES DU SYSTÈME DOIVENT ÊTRE SUPPORTÉES À TOUS LES 3 PI (0,9m). UTILISEZ DES SUPPORTS OU DES ATTACHES INCOMBUSTIBLES ÉQUIVALENTS AFIN DE MAINTENIR LE DÉGAGEMENT AUX MATÉRIAUX COMBUSTIBLES. UTILISEZ L'ENSEMBLE DE SUPPORT MURAL WOLF STEEL W010-0370 OU DES SUPPORTS INCOMBUSTIBLES ÉQUIVALENTS AFIN DE CONSERVER LE DÉGAGEMENT MINIMAL AUX MATÉRIAUX COMBUSTIBLES POUR LES COURSES VERTICALES ET HORIZONTALES. DES ESPACEURS SONT FIXÉS AU CONDUIT INTÉRIEUR À INTERVALLES PRÉDÉTERMINÉS AFIN DE GARDER UN ESPACE VIDE AVEC LE CONDUIT EXTÉRIEUR. POUR QUE LE FONCTIONNEMENT SOIT SÉCURITAIRE, UN ESPACE VIDE EST REQUIS. UN ESPACEUR EST REQUIS AU DÉBUT, AU MILIEU ET À LA FIN DE CHAQUE COUDE AFIN DE MAINTENIR CET ESPACE VIDE. N'ENLEVEZ PAS CES ESPACEURS.

CET APPAREIL UTILISE UN SYSTÈME DE CONDUITS DE 4" (102mm) POUR L'ÉVACUATION ET DE 7" (178mm) POUR LA PRISE D'AIR.

Veillez consulter la section qui correspond à votre installation.

Afin d'assurer un fonctionnement sécuritaire et adéquat de l'appareil, vous devez observer les instructions d'évacuation à la lettre. Un changement à la longueur verticale minimale de l'évacuation pourrait entraîner des problèmes d'allumage du brûleur et/ou des accumulations de carbone. Sous des configurations d'évacuation extrêmes, allouez de 5 à 15 minutes pour que la flamme se stabilise après l'allumage. Il est suggéré fortement de les événements qui passent à travers des espaces non chauffés (greniers, garages, espaces réduits) devraient être recouverts d'un manchon isolant pour minimiser la condensation. Prévoyez un moyen d'inspecter visuellement le raccord des événements à l'appareil après que ce dernier a été installé. Utilisez un espaceur coupe-feu, un protecteur de conduit d'évacuation ou un écran thermique de grenier lorsque les murs intérieurs, le plancher ou le plafond sont traversés.

NOTE : Si, pour une raison quelconque, le système d'évents de prise d'air est démonté, réinstallez-le selon les instructions fournies dans l'installation initiale.

7.1C

Une terminaison ne doit pas être installée directement au-dessus d'un trottoir ou d'une entrée pavée, située entre deux maisons unifamiliales et servant aux deux maisons. Les codes ou réglementations locaux peuvent exiger des dégagements différents.

Ne laissez pas le conduit intérieur se tasser contre les courses horizontales ou verticales et les coudes. Gardez-le tendu. Pour que le fonctionnement soit sécuritaire, un espace vide de 1 ¼" (32mm) est requis tout autour, entre le conduit intérieur et le conduit extérieur. Utilisez un espaceur coupe-feu lorsque les murs intérieurs, le plancher ou le plafond sont traversés.

Utilisez uniquement des composants d'évacuation Wolf Steel, Simpson Dura-Vent, Selkirk Direct Temp ou American Metal Amerivent. Les minimums et maximums des longueurs d'évent, pour les installations verticales et horizontales, et les emplacements des terminaisons pour les deux systèmes sont précisés dans ce manuel et doivent être respectés.

3.1 LONGUEURS DES CONDUITS D'ÉVACUATION ET COMPOSANTS

Utilisez seulement des composants d'évacuation Wolf Steel, Simpson Dura-Vent, Selkirk Direct Temp, American Metal Amerivent ou Metal-Fab. Les minimums et maximums des longueurs d'évent, pour les installations verticales et horizontales, et les emplacements des terminaisons pour les systèmes sont précisés dans ce manuel et doivent être respectés. Pour le Simpson Dura-Vent, le Selkirk Direct Temp, l'American Metal Amerivent et le Metal-Fab, suivez la procédure d'installation fournie avec les composants d'évacuation.

Un adaptateur de départ est nécessaire et peut être acheté chez le fournisseur correspondant :

PIÈCE	4"/7"	FABRICANT	SITE WEB
Duravent	GDS924N	Wolf Steel	www.duravent.com
Amerivent	4DSC-N2	American Metal	www.americanmetalproducts.com
Direct Temp	4DT-AAN	Selkirk	www.selkirkcorp.com
SuperSeal	4DNA	Metal-Fab	www.mtlfab.com

***Pour le Simpson Dura-Vent, le Selkirk Direct Temp, l'American Metal Amerivent et le Metal-Fab, suivez la procédure d'installation se trouvant sur le site Internet du fabricant.**

Pour les systèmes d'événements dont le conduit intérieur d'évacuation possède déjà des joints scellés, seuls les joints du conduit extérieur de prise d'air doivent être scellés avec un scellant de silicone rouge à haute température (RTV). Ce même scellant peut être utilisé sur les joints des conduits intérieurs et extérieurs de tous les autres systèmes d'événements approuvés à l'exception du raccordement du conduit d'évacuation à la buse de l'appareil qui doit être scellé avec le scellant noir à haute température Mill Pac.

Lorsque vous utilisez les composants d'évacuation Wolf Steel, n'utilisez que des composants d'évacuation Wolf Steel conjointement avec les ensembles de terminaison suivants : ensemble de terminaison murale **GD175** (7 1/2' de conduits inclus), ou ensemble de terminaison pour toit de pente 1/12 à 7/12 **GD110**, ensemble de terminaison pour toit de pente 8/12 à 12/12 **GD111**, ensemble de terminaison pour toit plat **GD112** ou ensemble périscopique **GD180** (pour pénétration des murs sous le niveau du sol).

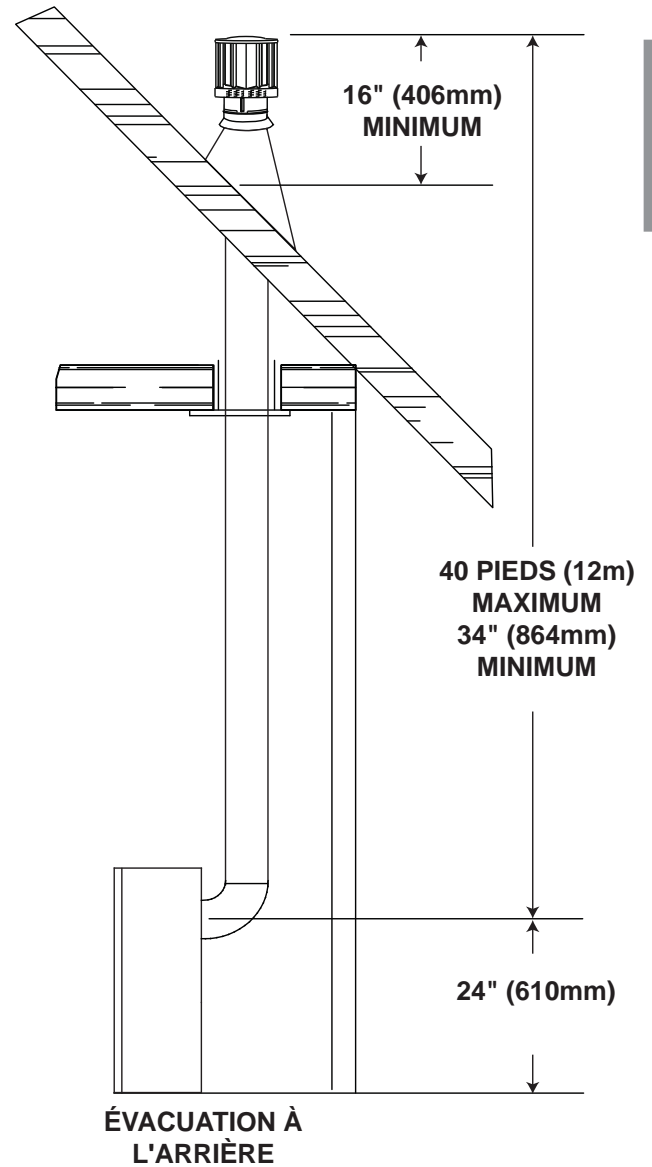
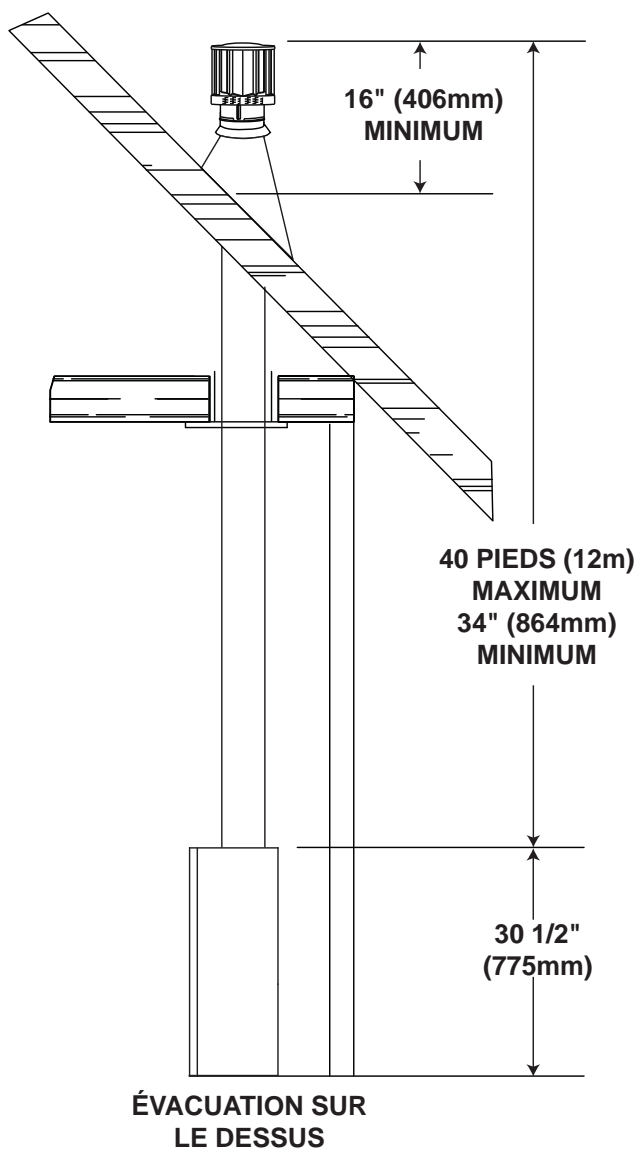
Pour une performance optimale de l'appareil et une apparence optimale des flammes, gardez la longueur des événements et le nombre de coudes au minimum. Toutes les courses horizontales devraient avoir une élévation minimale de 1/4" (6,4mm) par pied/mètre. La prise d'air de la terminaison extérieure doit demeurer dégagée en tout temps. Vérifiez la prise d'air de la terminaison au moins une fois l'an pour vous assurer qu'elle n'est pas obstruée ni endommagée. Ne combinez pas de composants rigides ou flexibles ni de composants d'évacuation provenant de fabricants différents.

Ces ensembles d'événements permettent soit une évacuation verticale, soit une évacuation horizontale de l'appareil. La course horizontale doit être conservée à un maximum de 20 pieds (6,1m). La hauteur totale permise pour un événement vertical est de 40 pieds (12,2m). Lorsque vous utilisez des composants flexibles, le nombre maximal de raccordements est de deux horizontalement ou trois verticalement (excluant les raccordements à l'appareil et à la section de terminaison).

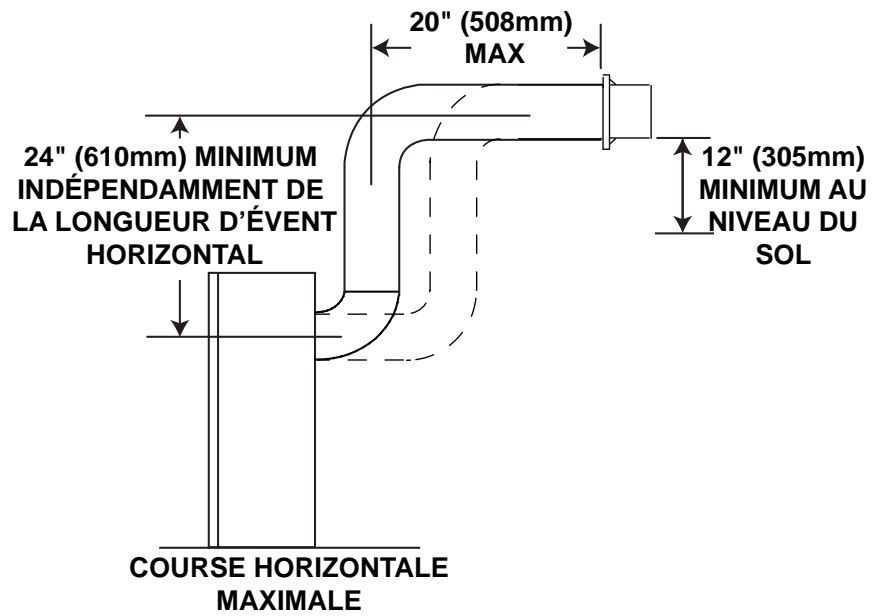
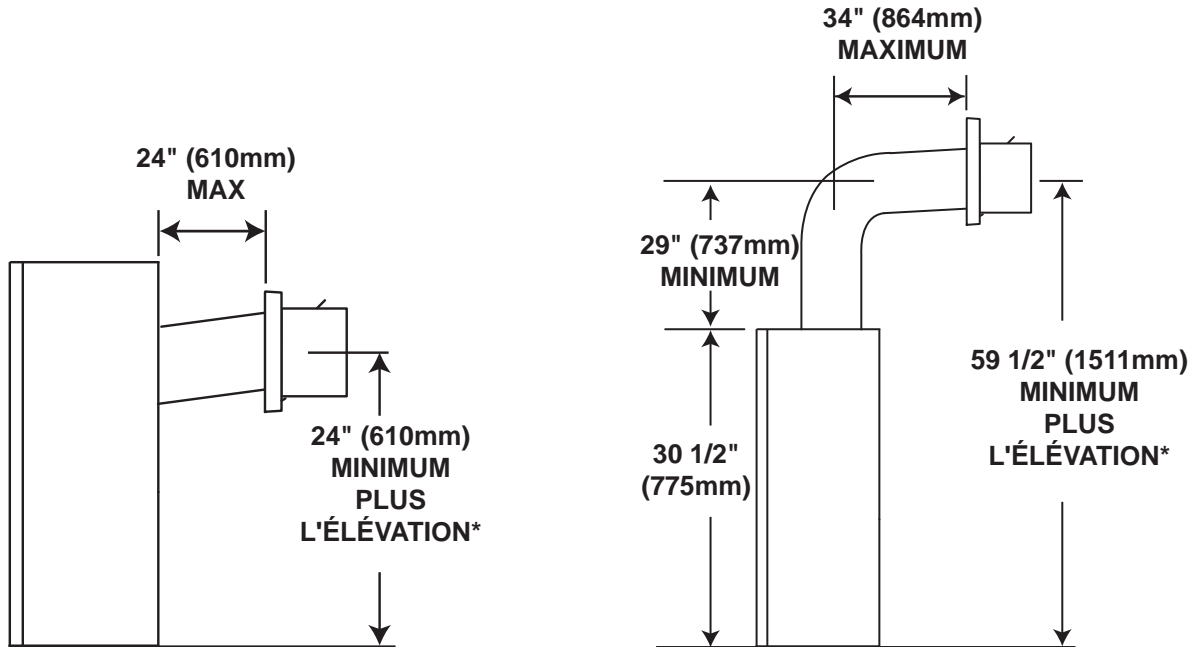
Un changement à la longueur verticale minimale de l'évacuation pourrait entraîner des problèmes d'allumage du brûleur et/ou des accumulations de carbone. Pour faciliter l'installation, utilisez un tuyau ajustable comme dernière pièce de tuyau rigide à l'appareil.

8.5A

3.2 INSTALLATIONS TYPIQUES D'ÉVENTS



FR

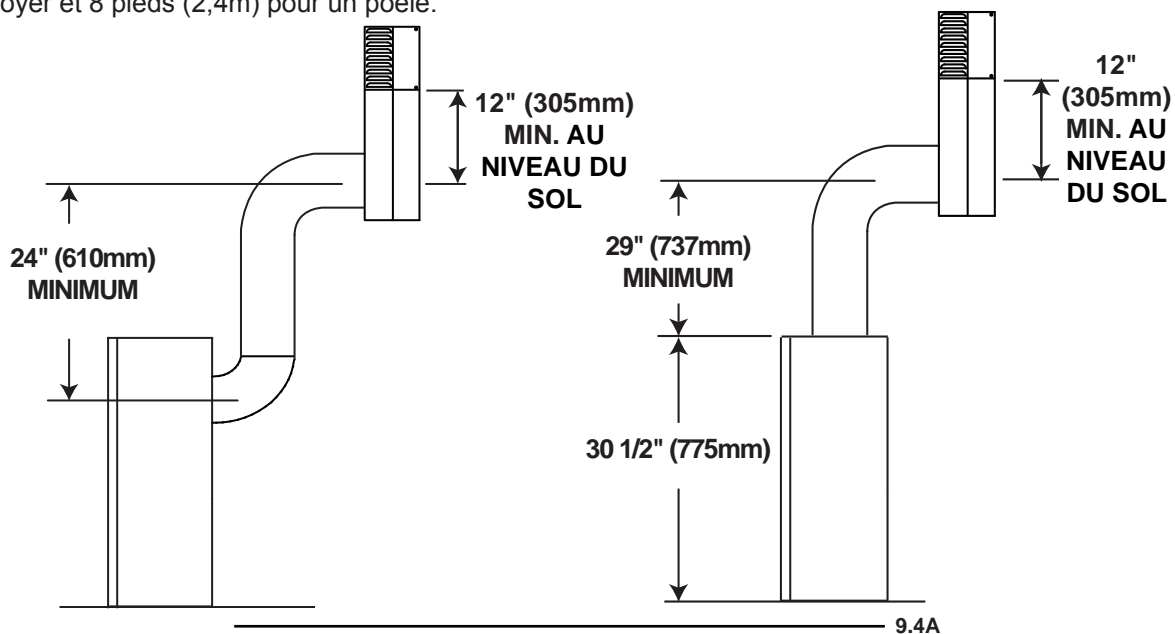


* Voir la section « ÉVACUATION ».

3.3 INSTALLATIONS PARTICULIÈRES D'ÉVENTS

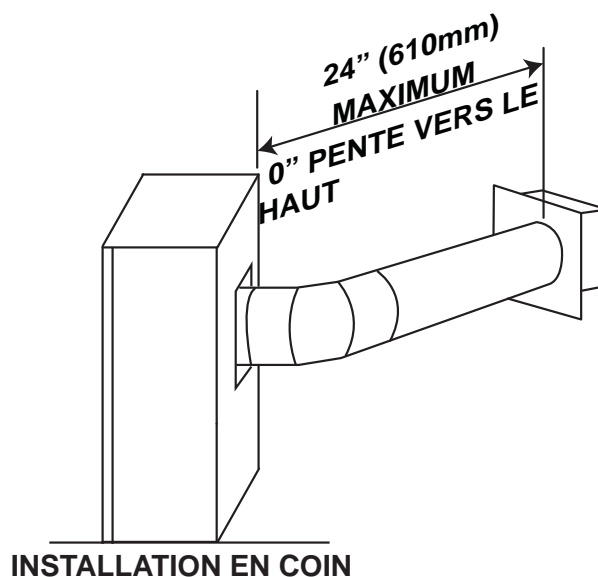
3.3.1 ENSEMBLE PÉRISCOPIQUE

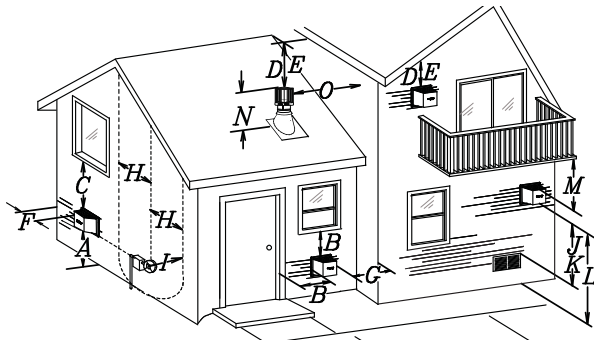
Utilisez l'ensemble périscopique afin de positionner la terminaison au-dessus du niveau du sol. L'ensemble périscopique doit être installé de façon à ce que la fente d'air du bas soit située à un minimum de 12 pouces (304,8mm) au-dessus du niveau du sol. La longueur maximale permise de l'évent est de 10 pieds (3,1m) pour un foyer et 8 pieds (2,4m) pour un poêle.



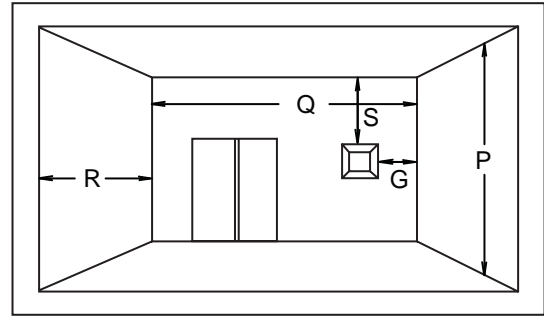
3.3.2 INSTALLATION EN COIN

Lorsque l'évent est installé en coin, la longueur maximale du conduit d'évacuation est de 24" (610mm).





APPLICATIONS POUR BALCON COUVERT ††*



$$Q_{\text{MIN}} = 3 \text{ pieds (0,9m)} \quad R_{\text{MAX}} = 2 \times Q_{\text{RÉELLE}} \quad R_{\text{MAX}} \leq 15 \text{ pieds (4,6m)}$$

	INSTALLATION		
	CANADA	É.-U.	
A	12" (304,8mm)	12" (304,8mm)	Dégagement au-dessus du sol, d'une véranda, d'une terrasse en bois ou d'un balcon.
B	12" (304,8mm) ^Δ	9" (228,6mm) ^Δ	Dégagement des fenêtres ou des portes qui ouvrent.
C	12" (304,8mm)*	12" (304,8mm)*	Dégagement des fenêtres fermées en permanence.
D	18" (457,2mm)**	18" (457,2mm)**	Dégagement vertical d'un soffite ventilé situé au-dessus de la terminaison si la distance horizontale est de moins de 2' (0,6m) de la ligne médiane de la terminaison.
E	12" (304,8mm)**	12" (304,8mm)**	Dégagement d'un soffite non ventilé.
F	0" (0mm)	0" (0mm)	Dégagement des murs faisant coin extérieur.
G	0" (0mm)***	0" (0mm)***	Dégagement des murs extérieurs incombustibles faisant coin intérieur ou aux obstructions incombustibles (cheminée, etc.).
	2" (50,8mm)***	2" (50,8mm)***	Dégagement des murs extérieurs combustibles faisant coin intérieur ou aux obstructions combustibles (habillage extérieur, etc.).
H	3' (0,9m)	3' (0,9m)****	Dégagement horizontal de chaque côté depuis la ligne verticale tirée du centre d'un ensemble de régulateur/compteur pour une distance verticale maximale de 15' (4,6m).
I	3' (0,9m)	3' (0,9m)****	Dégagement de l'évent du régulateur.
J	12" (304,8mm)	9" (228,6mm)	Dégagement d'une prise d'air de ventilation non mécanique de la maison ou d'une prise d'air de combustion de tout autre appareil.
K	6' (1,8m)	3' (0,9m) †	Dégagement d'une prise d'air mécanique.
L	7' (2,1m) ‡	7' (2,1m) ****	Dégagement au-dessus d'un trottoir ou d'une entrée pavée situés sur une propriété publique.
M	12" (304,8mm) ††	12" (304,8mm) ****	Dégagement sous une véranda ou une terrasse en bois.
N	16" (406,4mm)	16" (406,4mm)	Dégagement au-dessus du toit.
O	2' (0,6m) †*	2' (0,6m) †*	Dégagement des murs adjacents, incluant les maisons voisines.
P	8' (2,4m)	8' (2,4m)	Le toit doit être incombustible et sans ouvertures.
Q	3' (0,9m)	3' (0,9m)	Voir le tableau pour les dimensions d'un mur plus large
R	6' (1,8m)	6' (1,8m)	Voir le tableau pour les dimensions d'un mur plus profond. La terminaison ne doit pas être installée sur quelconque mur ayant une ouverture entre la terminaison et le côté ouvert de la structure.
S	12" (304,8mm)	12" (304,8mm)	Dégagement sous un balcon couvert.

Δ Pour les structures comportant trois murs et un toit, la terminaison doit être située à plus de 6 pieds (1,8m) sous une fenêtre s'ouvrant sur un plan horizontal.

* Recommandé afin de prévenir la formation de buée dans les fenêtres et les cassures thermiques.

** Il est recommandé d'utiliser un protecteur de chaleur et de maximiser la distance au soffite de plastique.

*** L'ensemble périscopique requiert un dégagement minimal de 18 pouces (457,2m) d'un mur extérieur faisant coin intérieur.

**** Ceci est une distance recommandée. Vérifiez les codes locaux pour connaître les contraintes additionnelles.

† Trois pieds au-dessus si la distance horizontale est de moins de 10 pieds (3,1m).

‡ Une terminaison d'évacuation ne doit pas être installée à un endroit où elle pourrait causer une formation dangereuse de givre ou de glace sur les surfaces d'une propriété adjacente.

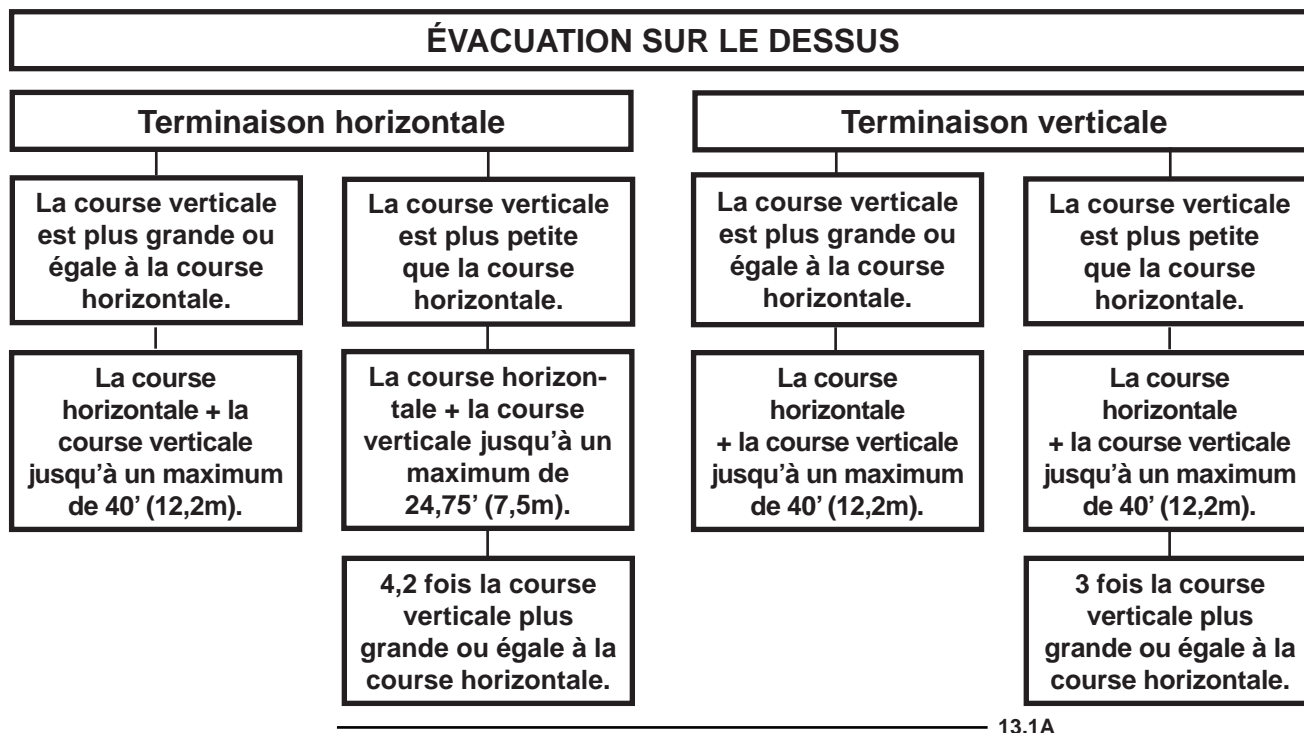
†† Permis seulement si la véranda ou la terrasse en bois sont complètement ouverts sur un minimum de deux côtés sous le plancher.

†* Recommandé afin d'éviter la recirculation des produits d'échappement. Vérifiez les codes locaux pour connaître les contraintes additionnelles.

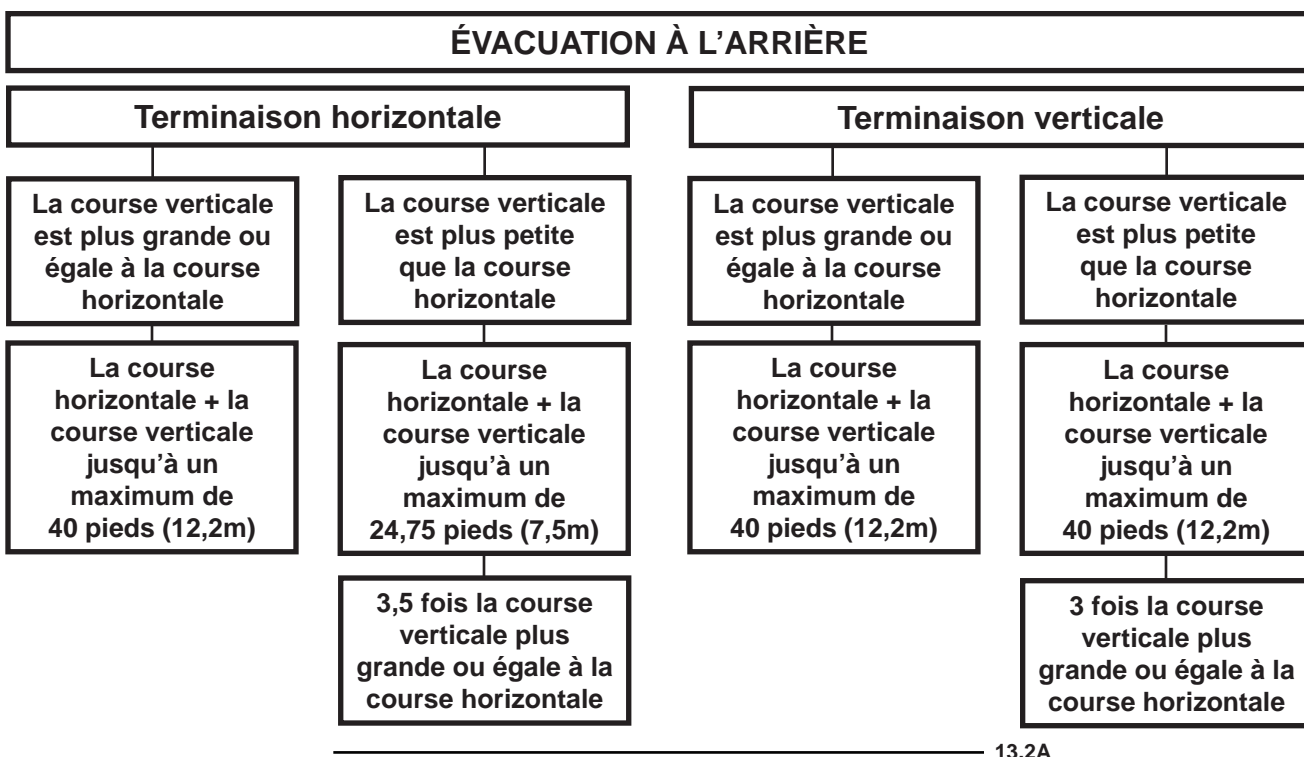
††* Permis seulement si le balcon est complètement ouvert sur au moins un côté.

NOTE : Les dégagements sont en conformité avec les codes d'installation locaux et les exigences du fournisseur de gaz.

3.5 CHARTE D'APPLICATION DES ÉVACUATIONS



13.1A



13.2A

FR

3.6 LÉGENDE

Les symboles suivants sont utilisés dans le calcul et les exemples d'évacuation :

> - plus grand que

≥ - plus grand ou égal à

< - plus petit que

≤ - plus petit ou égal à

H_T - total de la longueur des courses horizontales (H_r) et des déviations (H_o) en pieds

H_R - longueur des courses horizontales combinées en pieds

H_O - facteur de la valeur d'une déviation : 0,03 (du total des degrés de déviation - 90°*) en pieds

V_T - longueur des courses verticales combinées en pieds

 14.1

3.7 VALEUR DU COUDE EN LONGUEUR D'ÉVENT

	<u>PIEDS</u>	<u>POUCES</u>	<u>MILLIMÈTRES</u>
1°	0,03	0,5	12,7
15°	0,45	6,0	152,4
30°	0,9	11,0	279,4
45°	1,35	16,0	406,4
90°*	2,7	32,0	812,8

* La première déviation de 90° a une valeur zéro et est illustrée dans la formule comme - 90°

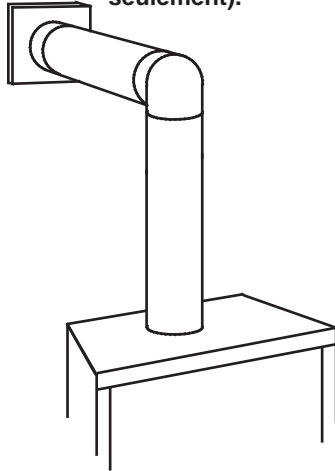
 15.1A

3.8 ÉVACUATION SUR LE DESSUS/TERMINAISON HORIZONTALE

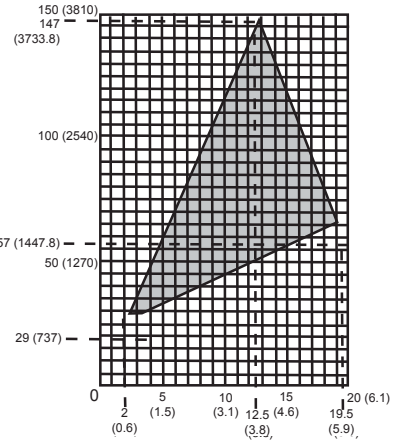
$$(H_T) > (V_T)$$

Configuration d'évacuation simple (un coude de 90° seulement).

Consultez le graphique pour déterminer la course verticale nécessaire V_T par rapport à la course horizontale requise H_T .



COURSE VERTICALE REQUISE EN POUCHES (MILLIMÈTRES) V_T



LONGUEUR DES COURSES HORIZONTALES PLUS LES DÉVIATIONS EN PIEDS (MÈTRES) H_T

La section ombragée à l'intérieur des lignes représente des valeurs acceptables pour H_T et V_T .

Lorsque la configuration de l'évacuation exige plus d'un coude de 90°, les formules suivantes s'appliquent :

Formule 1: $H_T \leq 4,2 V_T$

Formule 2: $H_T + V_T \leq 24,75$ pieds (7,5m)

Exemple:

$$V_1 = V_T = 6 \text{ PI (1,8m)}$$

$$H_1 = 3 \text{ PI (0,9m)}$$

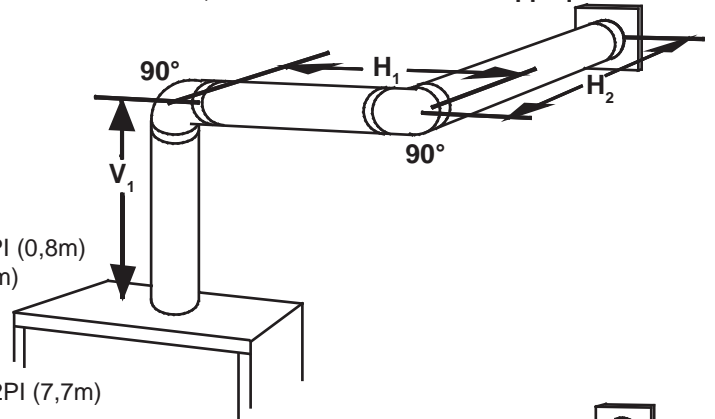
$$H_2 = 5 \text{ PI (1,5m)}$$

$$H_R = H_1 + H_2 = 3\text{PI (0,9m)} + 5\text{PI (1,5m)} = 8\text{PI (2,4m)}$$

$$H_O = .03 \text{ (two } 90^\circ \text{ elbows - } 90^\circ) = .03 \text{ (} 180^\circ - 90^\circ) = 2,7\text{PI (0,8m)}$$

$$H_T = H_R + H_O = 8\text{PI (2,4m)} + 2,7\text{PI (0,8m)} = 10,7\text{PI (3,3m)}$$

$$H_T + V_T = 10,7\text{PI (3,3m)} + 6\text{PI (1,8m)} = 16,7\text{PI (5,1m)}$$



Formule 1: $H_T \leq 4,2 V_T$

$$4,2 V_T = 4,2\text{PI (1,3m)} \times 6\text{PI (1,8m)} = 25,2\text{PI (7,7m)}$$

$$10,7\text{PI (3,3m)} \leq 25,2\text{PI (7,7m)}$$

Formule 2: $H_T + V_T \leq 24,75$ PI (7,5m)

$$16,7\text{PI (5,1m)} \leq 24,75\text{PI (7,5m)}$$

Puisque les deux formules sont respectées, cette configuration d'évacuation est acceptable.

Exemple:

$$V_1 = 4 \text{ PI (1,2m)}$$

$$V_2 = 1,5 \text{ PI (0,5m)}$$

$$V_T = V_1 + V_2 = 4\text{PI (1,2m)} + 1,5\text{PI (0,5m)} = 5,5 \text{ PI (1,7m)}$$

$$H_1 = 2 \text{ PI (0,6m)}$$

$$H_2 = 1 \text{ PI (0,3m)}$$

$$H_3 = 1 \text{ PI (0,3m)}$$

$$H_4 = 1,5 \text{ PI (0,5m)}$$

$$H_R = H_1 + H_2 + H_3 + H_4 = 2\text{PI (0,6m)} + 1\text{PI (0,3m)} + 1\text{PI (0,3m)} + 1,5\text{PI (0,5m)} = 5,5 \text{ PI (1,7m)}$$

$$H_O = 0,03 \text{ (quatre coudes } 90^\circ - 90^\circ) = 0,03 \text{ (} 360^\circ - 90^\circ) = 8,1 \text{ PI (2,5m)}$$

$$H_T = H_R + H_O = 5,5\text{PI (1,7m)} + 8,1 \text{ PI (2,5m)} = 13,6 \text{ PI (4,2m)}$$

$$H_T + V_T = 13,6 \text{ PI (4,2m)} + 5,5\text{PI (1,7m)} = 19,1\text{PI (5,8m)}$$

Formule 1: $H_T \leq 4,2 V_T$

$$4,2 V_T = 4,2 \text{ PI (1,3m)} \times 5,5\text{PI (1,7m)} = 23,1 \text{ PI (7m)}$$

$$13,6 \text{ PI (4,2m)} \leq 23,1 \text{ PI (7m)}$$

Formule 2: $H_T + V_T \leq 24,75$ PI (7,5m)

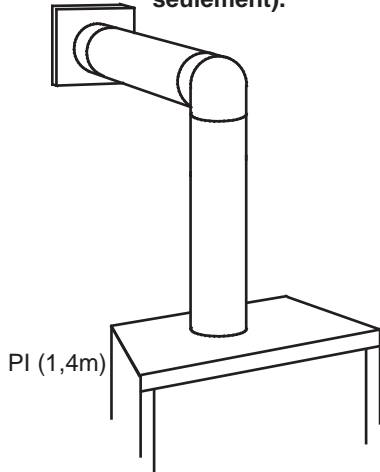
$$19,1\text{PI (5,8m)} \leq 24,75 \text{ PI (7,5m)}$$

Puisque les deux formules sont respectées, cette configuration d'évacuation est acceptable.

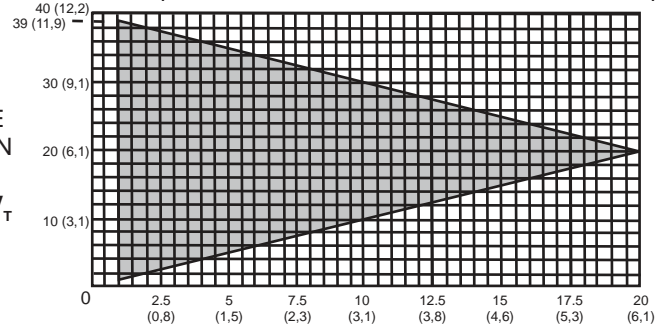
3.9 ÉVACUATION SUR LE DESSUS/TERMINAISON HORIZONTALE

$$(H_T) \leq (V_T)$$

Configuration d'évacuation simple (un coude de 90° seulement).



Consultez le graphique pour déterminer la course verticale nécessaire V_T par rapport à la course horizontale requise H_T .



LONGUEUR DES COURSES HORIZONTALES PLUS LES DÉVIATIONS EN PIEDS (MÈTRES) H_T

La section ombragée à l'intérieur des lignes représente des valeurs acceptables pour H_T et V_T .

Lorsque la configuration de l'évacuation exige plus d'un coude de 90°, les formules suivantes s'appliquent :

Formule 1 : $H_T \leq V_T$

Formule 2 : $H_T + V_T \leq 40 \text{ pieds (12,2m)}$

Exemple :

$V_1 = 3 \text{ PI (0,9m)}$

$V_2 = 8 \text{ PI (2,4m)}$

$V_T = V_1 + V_2 = 3\text{PI (0,9m)} + 8\text{PI (2,4m)} = 11\text{PI (3,4m)}$

$H_1 = 2,5 \text{ PI (0,8m)}$

$H_2 = 2 \text{ PI (0,6m)}$

$H_R = H_1 + H_2 = 2,5\text{PI (0,8m)} + 2\text{PI (0,6m)} = 4,5 \text{ PI (1,4m)}$

$H_O = 0,03 \text{ (trois coudes } 90^\circ - 90^\circ) = 0,03 (270^\circ - 90^\circ) = 5,4 \text{ PI (1,6m)}$

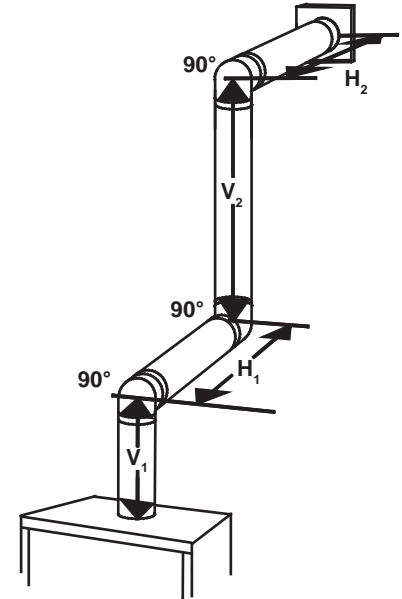
$H_T = H_R + H_O = 4,5\text{PI (1,4m)} + 5,4\text{PI (1,6m)} = 9,9 \text{ PI (3m)}$

$H_T + V_T = 9,9\text{PI (3m)} + 11\text{PI (3,4m)} = 20,9 \text{ PI (6,4m)}$

Formule 1 : $H_T \leq V_T$
 $9,9\text{PI (3m)} \leq 11\text{PI (3,4m)}$

Formule 2 : $H_T + V_T \leq 40 \text{ PI (12,2m)}$
 $20,9\text{PI (6,4m)} \leq 40 \text{ PI (12,2m)}$

Puisque les deux formules sont respectées, cette configuration d'évacuation est acceptable.

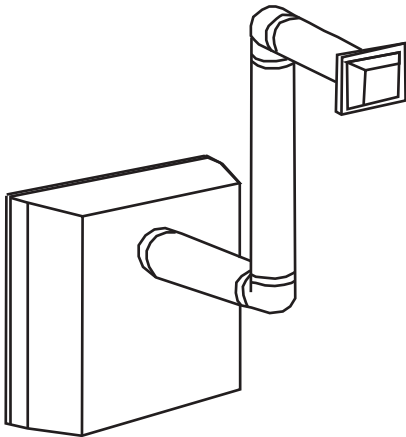


16.1B

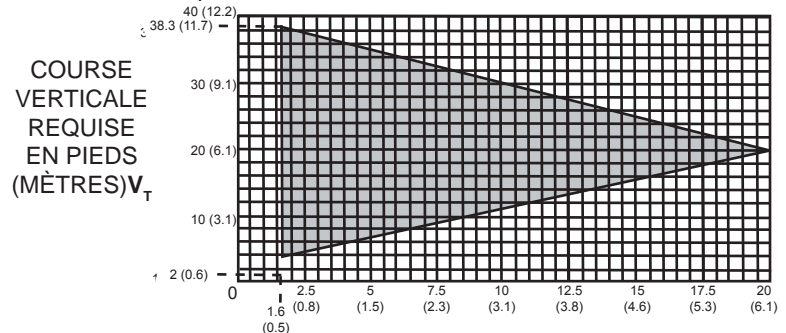
3.10 ÉVACUATION À L'ARRIÈRE/TERMINAISON HORIZONTALE

$$(H_T) \leq (V_T)$$

**Configuration d'évacuation simple
(deux coudes de 90° seulement)**



Consultez le graphique pour déterminer la course verticale nécessaire V_T par rapport à la course horizontale requise H_T .



La section ombragée à l'intérieur des lignes représente des valeurs acceptables pour H_T et V_T

Lorsque la configuration de l'évacuation exige plus qu'un coude de 90°, les formules suivantes s'appliquent :

Formule 1: $H_T \leq V_T$

Formule 2: $H_T + V_T \leq 40$ pieds (12,2m)

Exemple:

$$V_1 = 9 \text{ PI (2,7m)}$$

$$V_2 = 6 \text{ PI (1,8m)}$$

$$V_T = V_1 + V_2 = 9 \text{ PI (2,7m)} + 6 \text{ PI (1,8m)} = 15 \text{ PI (4,6m)}$$

$$H_1 = 3 \text{ PI (0,9m)}$$

$$H_2 = 2 \text{ PI (0,6m)}$$

$$H_3 = 1,5 \text{ PI (0,5m)}$$

$$H_R = H_1 + H_2 + H_3 = 3\text{PI (0,9m)} + 2\text{PI (0,6m)} + 1,5\text{PI (0,5m)} = 6,5\text{PI (2m)}$$

$$H_O = 0,03 \text{ (quatre coudes } 90^\circ - 90^\circ) = 0,03 \text{ (} 360^\circ - 90^\circ) = 8,1 \text{ PI (2,5m)}$$

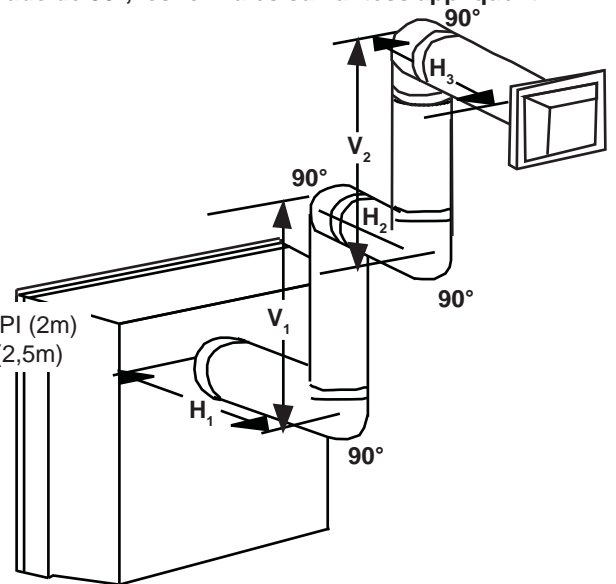
$$H_T = H_R + H_O = 6,5\text{PI (2m)} + 8,1\text{PI (2,5m)} = 14,6\text{PI (4,5m)}$$

$$H_T + V_T = 14,6\text{PI (4,5m)} + 15\text{PI (4,6m)} = 29,6\text{PI (9m)}$$

Formule 1: $H_T \leq V_T$
 $14,6 \text{ PI (4,5m)} \leq 15 \text{ PI (4,6m)}$

Formule 2: $H_T + V_T \leq 40 \text{ PI (12,2m)}$
 $29,6\text{PI (9m)} \leq 40\text{PI (12,2m)}$

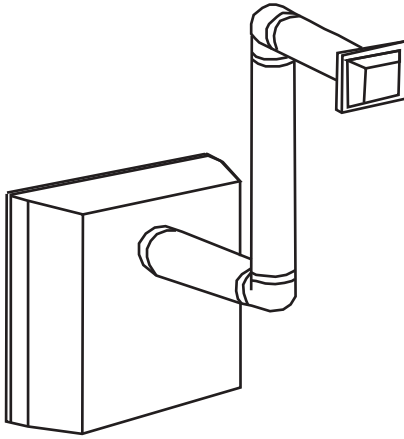
Puisque les deux formules sont respectées, cette configuration d'évacuation est acceptable.



16.3A

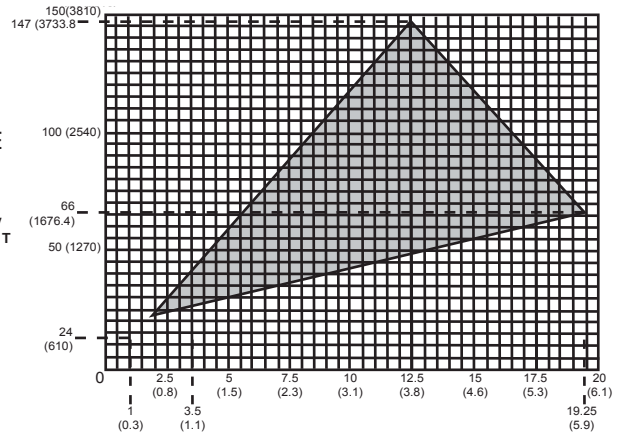
$$(H_T) > (V_T)$$

Configuration d'évacuation simple (deux coudes de 90° seulement)



COURSE
VERTICALE
REQUISE
EN PIEDS
(MÈTRES) V_T

Consultez le graphique pour déterminer la course verticale nécessaire V_T par rapport à la course horizontale requise H_T .



LONGUEUR DES COURSES HORIZONTALES PLUS
LES DÉVIATIONS EN PIEDS (MÈTRES) H_T

La section ombragée à l'intérieur des lignes représente
des valeurs acceptables pour H_T et V_T

Lorsque la configuration de l'évacuation exige plus qu'un coude de 90°, les formules suivantes s'appliquent :

Formule 1 : $H_T \leq 3,5V_T$

Formule 2 : $H_T + V_T \leq 24,75$ pieds (7,5m)

Exemple :

$V_1 = 4$ PI (1,2m)

$V_2 = 1,5$ PI (0,5m)

$V_T = V_1 + V_2 = 4$ PI (1,2m) + 1,5PI (0,5m) = 5,5 PI (1,7m)

$H_1 = 2$ PI (0,6m)

$H_2 = 1$ PI (0,3m)

$H_3 = 1$ PI (0,3m)

$H_4 = 1,5$ PI (0,5m)

$H_R = H_1 + H_2 + H_3 + H_4 = 2$ PI(0,6m) + 1PI(0,3m) + 1PI(0,3m) + 1,5PI(0,5m) = 5,5PI(1,7m)

$H_o = 0,03$ (quatre coudes 90° + un coude 45° - 90°)
= 0,03 (90 + 90 + 90 + 90 + 45 - 90) = 9,45 PI (2,9m)

$H_T = H_R + H_o = 5,5$ PI (1,7m) + 9,45PI (2,9m) = 14,95PI (4,6m)

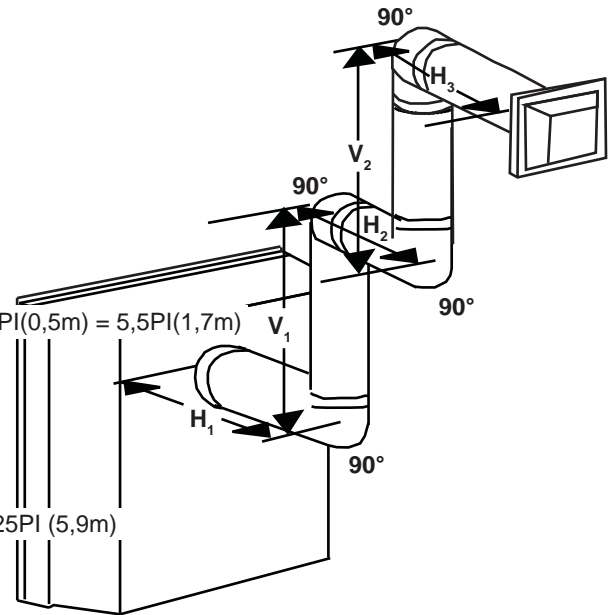
$H_T + V_T = 14,95$ PI (4,6m) + 5,5PI (1,7m) = 20,45PI (6,2m)

Formule 1 : $H_T \leq 3,5V_T$
 $3,5V_T = 3,5$ PI (1,1m) x 5,5PI (1,7m) = 19,25PI (5,9m)

14,95 PI (4,6m) \leq 19,25 PI (5,9m)

Formule 2 : $H_T + V_T \leq 24,75$ PI (7,5m)

20,45 PI (6,2m) \leq 24,75 PI (7,5m)



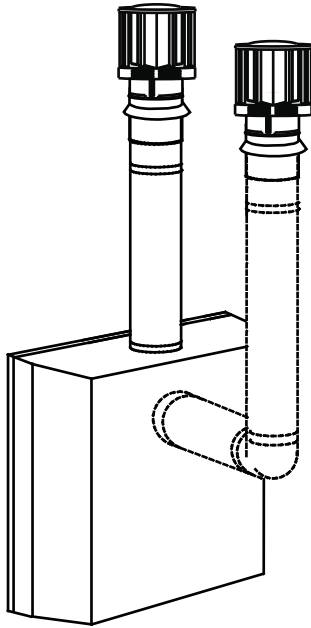
Puisque les deux formules sont respectées, cette configuration d'évacuation est acceptable.

16.3_2B

3.11 ÉVACUATION SUR LE DESSUS OU À L'ARRIÈRE/TERMINAISON VERTICALE

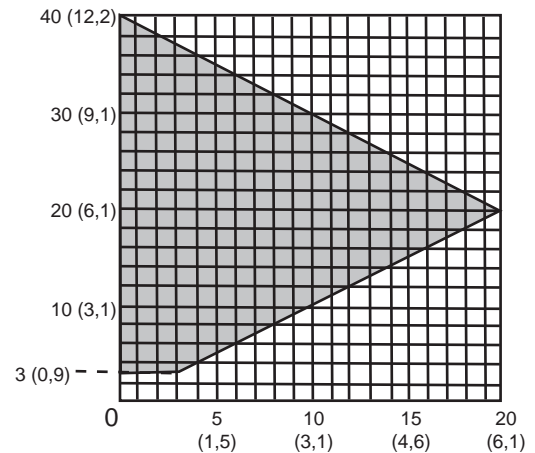
$$(H_T) \leq (V_T)$$

Configurations d'évacuation simples.



Consultez le graphique pour déterminer la course verticale nécessaire V_T par rapport à la course horizontale requise H_T .

COURSE
VERTICALE
REQUISE EN
PIEDS
(MÈTRES) V_T



LONGUEUR DES COURSES HORIZONTALES PLUS
LES DÉVIATIONS EN PIEDS (MÈTRES) H_T

La section ombragée à l'intérieur des lignes représente
des valeurs acceptables pour H_T et V_T

Lorsque les configurations de l'évacuation exigent plus que zéro coude de 90° (évacuation sur le dessus) ou un coude de 90° (évacuation à l'arrière), les formules suivantes s'appliquent :

Formule 1: $H_T \leq V_T$

Formule 2: $H_T + V_T \leq 40$ pieds (12,2m)

Exemple:

$$V_1 = 5 \text{ PI (1,5m)}$$

$$V_2 = 6 \text{ PI (1,8m)}$$

$$V_3 = 10 \text{ PI (3,1m)}$$

$$V_T = V_1 + V_2 + V_3 = 5\text{PI (1,5m)} + 6\text{PI (1,8m)} + 10\text{PI (3,1m)} = 21\text{PI (6,4m)}$$

$$H_1 = 8 \text{ PI (2,4m)}$$

$$H_2 = 2,5 \text{ PI (0,8m)}$$

$$H_R = H_1 + H_2 = 8\text{PI (2,4m)} + 2,5\text{PI (0,8m)} = 10,5\text{PI (3,2m)}$$

$$H_O = 0,03 \text{ (quatre coudes } 90^\circ - 90^\circ)$$

$$= 0,03 (360^\circ - 90^\circ) = 8,1 \text{ PI (2,5m)}$$

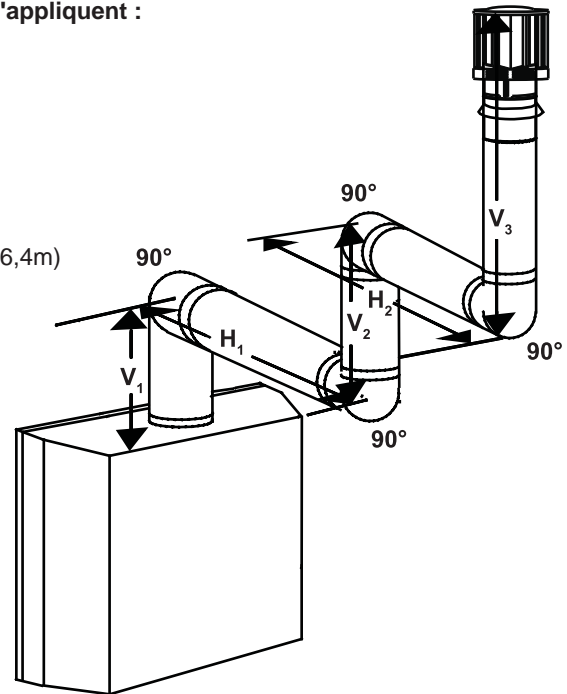
$$H_T = H_R + H_O = 10,5\text{PI (3,2m)} + 8,1\text{PI (2,5m)} = 18,6\text{PI (5,7m)}$$

$$H_T + V_T = 18,6\text{PI (5,7m)} + 21\text{PI (6,4m)} = 39,6\text{PI (12,1m)}$$

Formule 1: $H_T \leq 3,5V_T$
 $18,6 \text{ PI (5,7m)} \leq 21 \text{ PI (6,4m)}$

Formule 2: $H_T + V_T \leq 40 \text{ PI (12,2m)}$
 $39,6\text{PI (12,1m)} \leq 40 \text{ PI (12,2m)}$

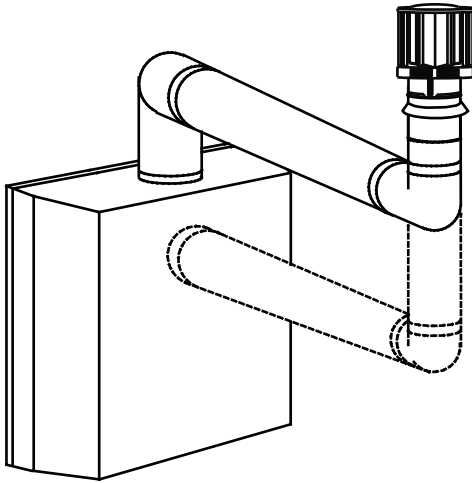
Puisque les deux formules sont respectées, cette configuration d'évacuation est acceptable



18.2A

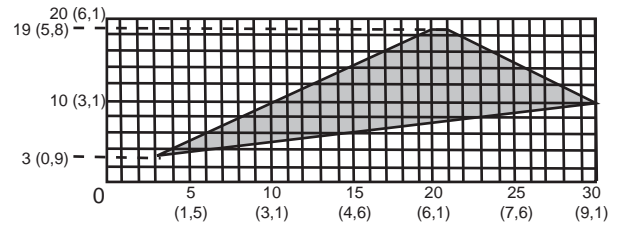
$$(H_T) > (V_T)$$

Configurations d'évacuation simples.



COURSE
VERTICALE
REQUISE EN
PIEDS
(MÈTRES) V_T

Consultez le graphique pour déterminer la course verticale nécessaire V_T par rapport à la course horizontale requise H_T .



LONGUEUR DES COURSES HORIZONTALES PLUS
LES DÉVIATIONS EN PIEDS (MÈTRES) H_T

La section ombragée à l'intérieur des lignes représente
des valeurs acceptables pour H_T et V_T

Lorsque les configurations de l'évacuation exigent plus que zéro coude de 90° (évacuation sur le dessus) ou un coude de 90° (évacuation à l'arrière), les formules suivantes s'appliquent :

Formule 1 : $H_T \leq 3 V_T$

Formule 2 : $H_T + V_T \leq 40$ pieds (12,2m)

Exemple :

$$V_1 = 2 \text{ PI (0,6m)}$$

$$V_2 = 1 \text{ PI (0,3m)}$$

$$V_3 = 1,5 \text{ PI (0,5m)}$$

$$V_T = V_1 + V_2 + V_3 = 2\text{PI (0,6m)} + 1\text{PI (0,3m)} + 1,5\text{PI (0,5m)} = 4,5\text{PI (1,4m)}$$

$$H_1 = 6 \text{ PI (1,8m)}$$

$$H_2 = 2 \text{ PI (0,6m)}$$

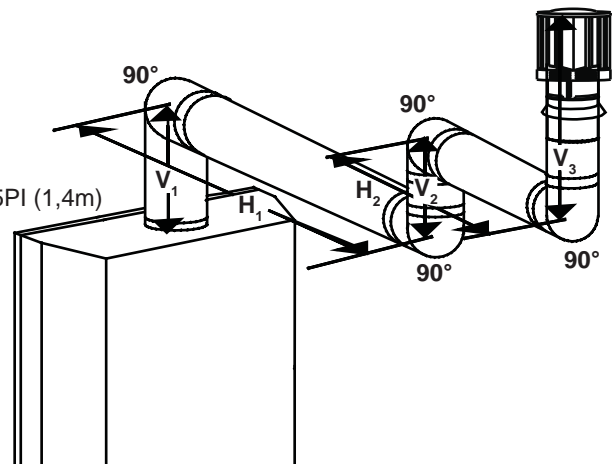
$$H_R = H_1 + H_2 = 6\text{PI (1,8m)} + 2\text{PI (0,6m)} = 8 \text{ PI (2,4m)}$$

$$H_o = 0,03 \text{ (quatre coudes } 90^\circ - 90^\circ)$$

$$= 0,03 (360^\circ - 90^\circ) = 8,1 \text{ PI (2,5m)}$$

$$H_T = H_R + H_o = 8\text{PI (2,4m)} + 8,1\text{PI (2,5m)} = 16,1 \text{ PI (4,9m)}$$

$$H_T + V_T = 16,1\text{PI (4,9m)} + 4,5\text{PI (1,4m)} = 20,6 \text{ PI (6,3m)}$$



Formule 1 : $H_T \leq 3V_T$
 $3V_T = 3 \text{ PI (0,9m)} \times 4,5 \text{ PI (1,4m)} = 13,5 \text{ PI (4,1m)}$
 $16,1\text{PI (4,9m)} > 13,5 \text{ PI (4,1m)}$

Puisque cette formule n'est pas respectée, cette configuration d'évacuation est **inacceptable**.

Formule 2 : $H_T + V_T \leq 40 \text{ PI (12,2m)}$
 $20,6 \text{ PI (4,9m)} \leq 40 \text{ PI (12,2m)}$

Puisque seulement la formule 2 est respectée, cette configuration est inacceptable et l'on devra trouver un autre endroit pour installer l'appareil ou trouver une configuration d'évacuation qui pourra respecter les deux formules.

Exemple :

$$V_1 = 1,5 \text{ PI (0,5m)}$$

$$V_2 = 5 \text{ PI (1,5m)}$$

$$V_T = V_1 + V_2 = 1,5\text{PI (0,5m)} + 5\text{PI (1,5m)} = 6,5 \text{ PI (2m)}$$

$$H_1 = 1 \text{ PI (0,3m)}$$

$$H_2 = 1 \text{ PI (0,3m)}$$

$$H_3 = 10,75 \text{ PI (3,3m)}$$

$$H_R = H_1 + H_2 + H_3 = 1\text{PI (0,3m)} + 1\text{PI (0,3m)} + 10,75\text{PI (3,3m)} = 12,75\text{PI (3,9m)}$$

$$H_o = 0,03 \text{ (quatre coudes } 90^\circ \text{ + un coude } 45^\circ - 90^\circ)$$

$$= 0,03 (360^\circ + 45^\circ - 90^\circ) = 6,75 \text{ PI (2,1m)}$$

$$H_T = H_R + H_o = 12,75\text{PI (3,9m)} + 6,75\text{PI (2,1m)} = 19,5\text{PI (5,9m)}$$

$$H_T + V_T = 19,5 \text{ PI (5,9m)} + 6,5 \text{ PI (2m)} = 26 \text{ PI (7,9m)}$$

Formule 1 :

$$H_T \leq 3 V_T$$

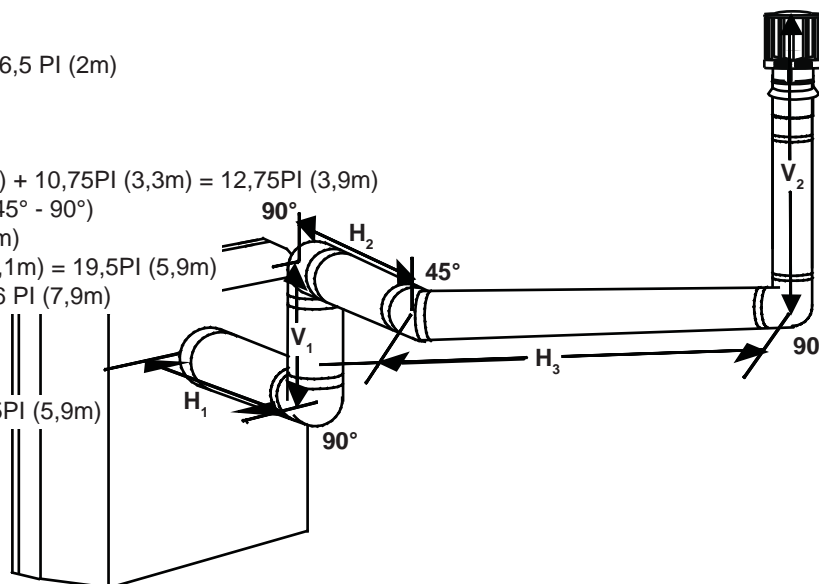
$$3 V_T = 3\text{PI (0,9m)} \times 6,5\text{PI (2m)} = 19,5\text{PI (5,9m)}$$

$$19,5 \text{ PI (5,9m)} = 19,5 \text{ PI (5,9m)}$$

Formule 2 :

$$H_T + V_T \leq 40 \text{ PI (12,2m)}$$

$$26 \text{ PI (7,9m)} \leq 40 \text{ PI (12,2m)}$$



Puisque les deux formules sont respectées, cette configuration d'évacuation est acceptable.

18.2_3A

4.0 PRÉPARATIFS POUR L'INSTALLATION MODÈLE GDS60-1

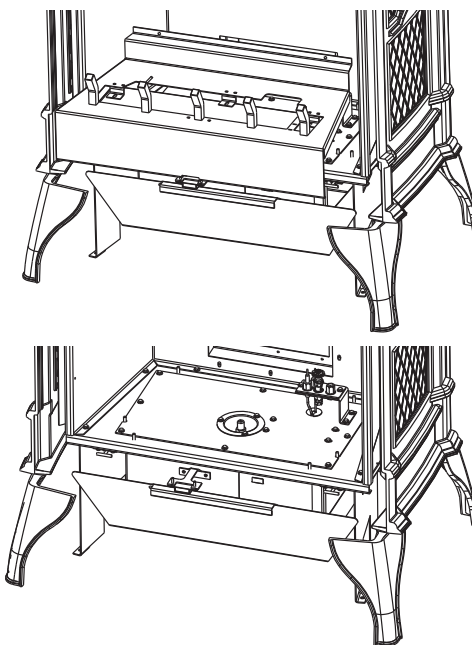
4.1 REMPLACEMENT DE L'INJECTEUR DE BRÛLEUR

TERMINAISON POUR UNE ÉVACUATION À L'ARRIÈRE :

Dans une installation avec évacuation à l'arrière, sans courses verticales, le débit doit être réduit à 21 000 BTU, en changeant l'injecteur (fourni), pour les sorties horizontales au large de l'arrière seulement.

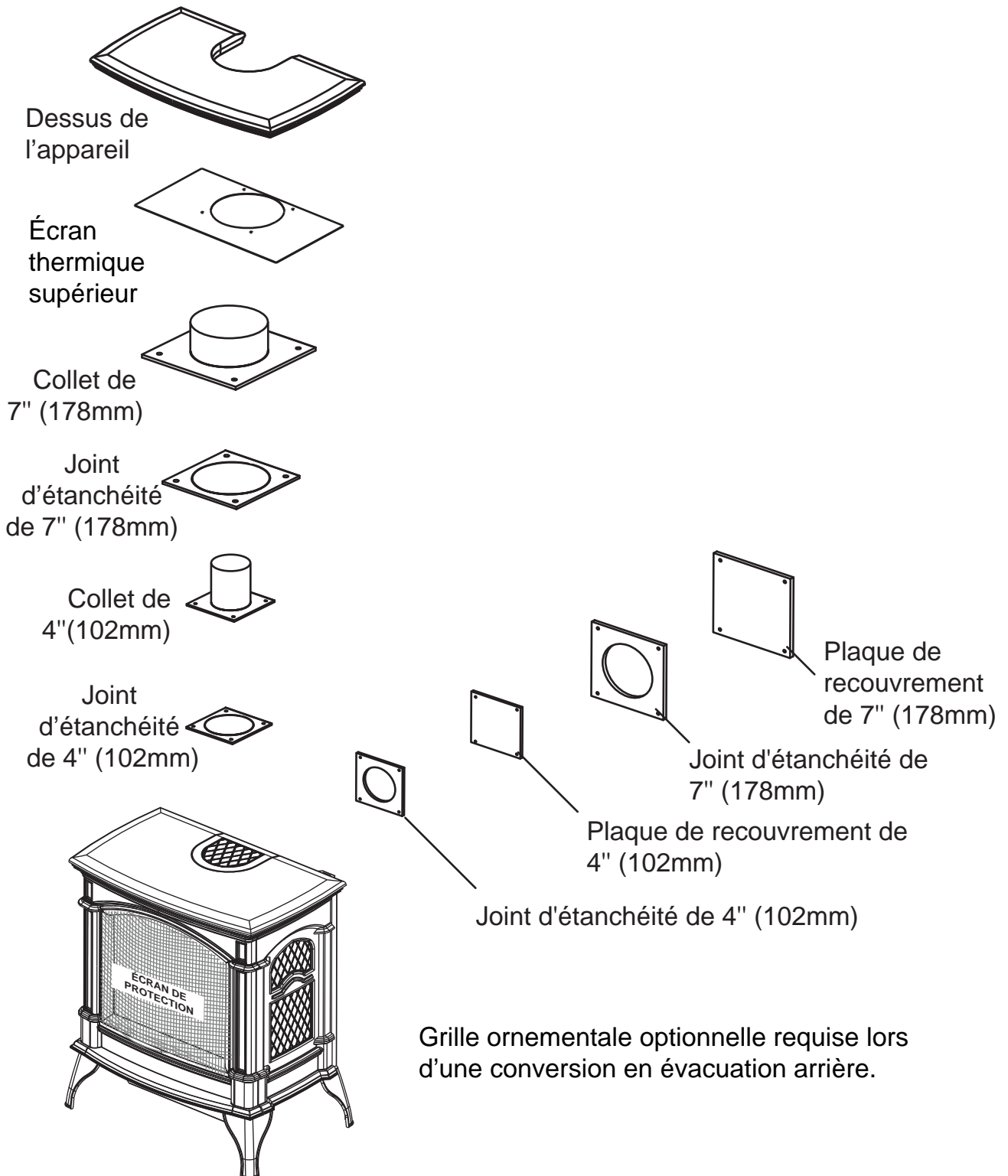
Afin d'accéder à l'injecteur, vous devez d'abord retirer le support à bûches qui est fixé par deux vis.

Prenez soin de ne pas endommager la conduite de gaz. Pour retirer l'injecteur, utilisez une clé et une que vous utiliserez sur le collecteur, situé sous le boîtier, pour vous assurer que le tube d'aluminium ne se torde ou ne se plie.



4.2 MODIFICATION D'ÉVACUATION SUR LE DESSUS À ÉVACUATION À L'ARRIÈRE

Afin de convertir le système d'évent à évacuation sur le dessus en évacuation à l'arrière, retirez les composants tel qu'illustré: Lors de la réinstallation à la position alternative : inspectez les joints d'étanchéité pour des déchirures, remplacez-les si nécessaire pour assurer une bonne étanchéité.



5.0 INSTALLATION

! AVERTISSEMENT

AVANT D'EFFECTUER LES BRANCHEMENTS POUR L'ALIMENTATION EN GAZ ET ÉLECTRIQUE, ASSUREZ-VOUS DE RETIRER TOUTE COMPOSANTE NON FIXÉE À L'INTÉRIEUR DE LA CHAMBRE DE COMBUSTION.

SI VOTRE APPAREIL COMPREND UN SYSTÈME DE TÉLÉCOMMANDE, ASSUREZ-VOUS QUE LE RÉCEPTEUR EST À LA POSITION « OFF » AVANT D'EFFECTUER LES BRANCHEMENTS POUR L'ALIMENTATION EN GAZ ET ÉLECTRIQUE.

AFIN D'ASSURER UN FONCTIONNEMENT SÉCURITAIRE ET ADÉQUAT DE L'APPAREIL, VOUS DEVEZ OBSERVER LES INSTRUCTIONS D'ÉVACUATION À LA LETTRE.

TOUS LES JOINTS DES CONDUITS INTÉRIEURS ET EXTÉRIEURS PEUVENT ÊTRE SCELLÉS AVEC DU SCELLANT DE SILICONE ROUGE À HAUTE TEMPÉRATURE RTV W573-0002 (NON FOURNI) OU DU SCELLANT NOIR À HAUTE TEMPÉRATURE MILL PAC W573-0007 (NON FOURNI) À L'EXCEPTION DU RACCORDEMENT DU CONDUIT D'ÉVACUATION À LA BUSE DE L'APPAREIL QUI DOIT ÊTRE SCELLÉ AVEC LE SCELLANT MILL PAC.

SI VOUS UTILISEZ DES COLLIERS POUR TUYAU POUR RACCORDER LES COMPOSANTS D'ÉVACUATION, VOUS DEVEZ AUSSI INSTALLER TROIS VIS POUR VOUS ASSURER QUE LE RACCORDEMENT NE SE DÉFASSE PAS.

NE SERREZ PAS LA GAINE FLEXIBLE.

RISQUE D'INCENDIE, D'EXPLOSION OU D'ASPHYXIE. SI L'ENSEMBLE DU SYSTÈME DE CONDUIT D'ÉVENT N'EST PAS ADÉQUATEMENT SOUTENU, IL RISQUE DE FLÉCHIR OU DE SE SÉPARER. UTILISEZ DES SUPPORTS DE CONDUIT ET RACCORDEZ LES SECTIONS DE CONDUITS SELON LES INSTRUCTIONS D'INSTALLATION.

RISQUE D'INCENDIE. ÉVITEZ QUE L'ISOLANT TOUCHE AU CONDUIT D'ÉVACUATION. RETIREZ L'ISOLANT POUR PERMETTRE L'INSTALLATION DE L'ÉCRAN PROTECTEUR DU GRENIER ET POUR MAINTENIR LES DÉGAGEMENTS AUX MATÉRIAUX COMBUSTIBLES.

FR

68.2B

5.2 DÉGAGEMENTS MINIMAUX AUX MATÉRIAUX COMBUSTIBLES

GDS60-1:

SECTIONS D'ÉVÉNEMENTS HORIZONTALES : Un dégagement minimal de 2" (51mm) au-dessus et 1" (25mm) au-dessous et sur les côtés de l'événement doit être maintenu sur toutes les courses horizontales.

SECTIONS D'ÉVÉNEMENTS VERTICALES : Un dégagement minimal aux matériaux combustibles de 1" (25mm) est requis sur toutes les courses verticales.

GS60-1:

Un dégagement minimal aux matériaux combustibles de 1" (25mm) tout autour de l'événement de type B est requis sur les courses horizontales et verticales.

CONSERVEZ CES DÉGAGEMENTS MINIMAUX AUX MATÉRIAUX COMBUSTIBLES :

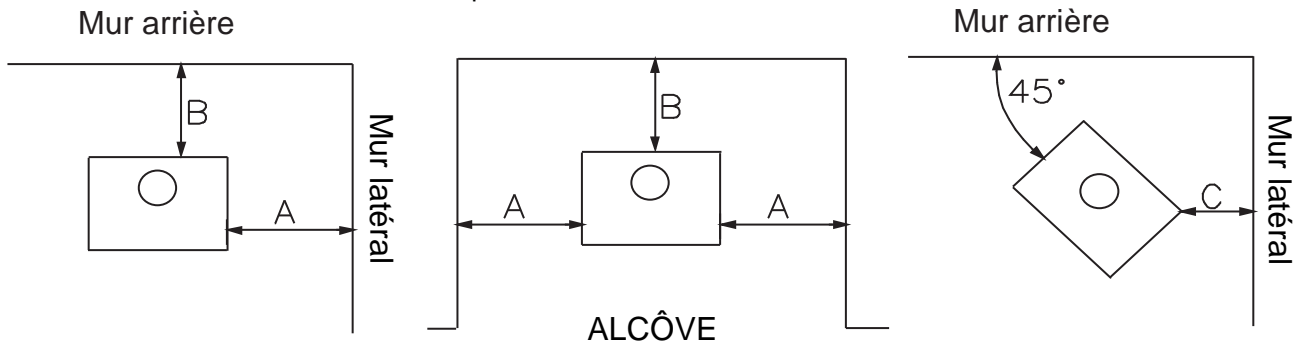
A. 6" (152mm) **B.** 6" (152mm) **C.** 2" (51mm)*

Aucune protection de plancher supplémentaire n'est nécessaire.

Un minimum de 20" (508mm) est requis entre le dessus de l'appareil et le plafond.

6" (152mm) d'un raccord à paroi simple.

*À une distance de 2" (51mm) du mur, l'accès à l'interrupteur de la soufflerie, à l'interrupteur marche/arrêt ou au cordon d'alimentation de la soufflerie peut s'avérer difficile.



5.1 PROTECTION DU MUR ET DU PLAFOND

! AVERTISSEMENT

NE REMPLISSEZ L'ESPACE ENTRE LE CONDUIT D'ÉVENT ET LA CHARPENTE AVEC AUCUN TYPE DE MATÉRIAU. NE BOURREZ PAS D'ISOLANT NI DE MATÉRIAUX COMBUSTIBLES ENTRE LES ESPACEURS COUPE-FEU DU PLAFOND. CONSERVEZ TOUJOURS LES DÉGAGEMENTS REQUIS AUTOUR DES CONDUITS D'ÉVENT ET L'ASSEMBLAGE DE L'ESPACEUR COUPE-FEU. INSTALLEZ LES ÉCRANS MURAUX ET LES ESPACEURS COUPE-FEU TEL QUE SPÉCIFIÉ. SI VOUS NE GARDEZ PAS L'ISOLANT OU TOUT AUTRE MATÉRIAU À L'ÉCART DU CONDUIT D'ÉVENT, UN RISQUE D'INCENDIE POURRAIT S'ENSUIVRE.

70.1

Pour une performance optimale de l'appareil, toutes les courses horizontales devraient avoir une élévation minimale de 1/4" (6,4mm) par pied lorsque vous utilisez des composants d'évacuation. Afin d'assurer un fonctionnement sécuritaire et adéquat de l'appareil, vous devez observer les instructions d'évacuation à la lettre.

5.2.2 INSTALLATION HORIZONTALE

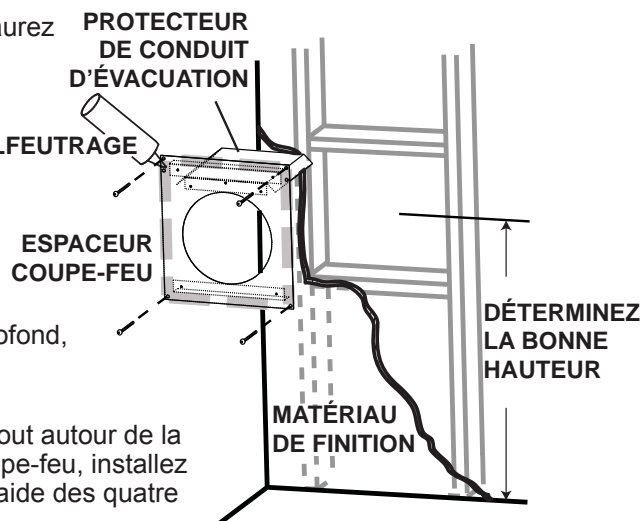
! AVERTISSEMENT

**L'ESPACEUR COUPE-FEU DOIT ÊTRE INSTALLÉ AVEC L'ÉCRAN PROTECTEUR ORIENTÉ VERS LE HAUT.
LA TERMINAISON NE DOIT PAS ÊTRE ENCHÂSSÉE DANS LE MUR OU LE REVÊTEMENT EXTÉRIEUR
PLUS QUE L'ÉPAISSEUR DE LA BRIDE DE LA PLAQUE DE MONTAGE.**

Cette configuration s'applique lorsque le conduit d'évent traverse un mur extérieur. Une fois que vous aurez déterminé la hauteur exacte pour l'emplacement de la terminaison, découpez et charpentez une ouverture dans le mur extérieur (comme illustré) pour permettre l'installation de l'espaceur coupe-feu. Avant de continuer, placez l'espaceur coupe-feu dans l'ouverture pour vous assurer que les supports sur la surface arrière soient placés contre la face intérieure de la pièce de charpente horizontale.

L'écran protecteur peut-être taillé pour des murs combustibles qui ont moins de 8 1/2" (215,9mm) de profond, mais doit se prolonger sur toute la profondeur du mur combustible.

- Appliquez un joint de calfeutrage (non fourni) tout autour de la bordure de la face intérieure de l'espaceur coupe-feu, installez l'espaceur coupe-feu contre le trou et fixez à l'aide des quatre vis (fournies dans le sac de votre manuel).
- Une fois que le conduit d'évent est en place, appliquez du scellant à haute température W573-0007 (non fourni) entre le conduit d'évent et l'espaceur coupe-feu.

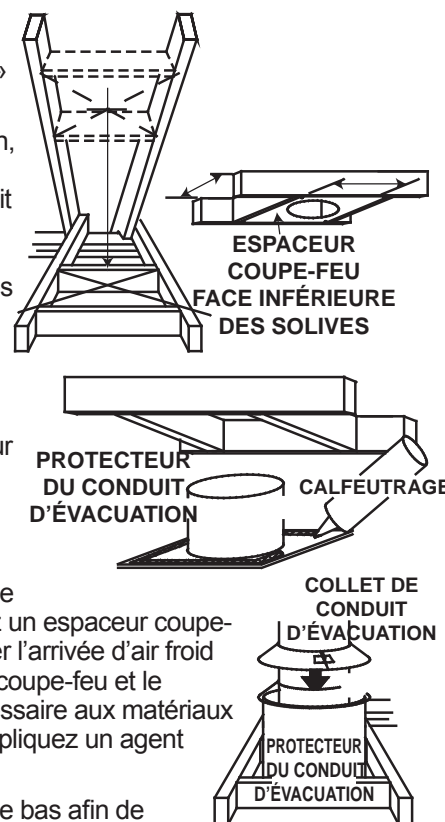


20.2A

5.2.1 INSTALLATION VERTICALE

Cette configuration s'applique lorsque l'évacuation se fait à travers un toit. Des ensembles d'installation pour les différentes pentes de toit sont disponibles chez votre détaillant autorisé. Voir la section « Accessoires » pour commander l'ensemble spécifique dont vous avez besoin.

- Une fois que vous aurez déterminé l'emplacement de la terminaison, découpez et charpentez une ouverture dans le plafond et le toit pour laisser le dégagement minimal de 1" (25,4mm) entre le conduit d'évent et tout matériau combustible. Essayez de positionner le conduit d'évent à mi-chemin entre deux solives pour ne pas être obligé de les couper. Utilisez du fil à plomb pour aligner le centre des ouvertures. Un protecteur de conduit d'évacuation empêchera tout matériau, tel que l'isolant, de remplir l'espace vide de 1" (25,4mm) autour de l'évent. Fixez des entretoises entre les solives pour assurer un support additionnel.
- Appliquez un joint de calfeutrage (non fourni) sur la charpente ou sur le protecteur de conduit d'évacuation Wolf Steel ou l'équivalent (dans le cas d'un plafond fini) et fixez le protecteur de conduit d'évacuation de façon à recouvrir l'ouverture dans le plafond. Un espaceur coupe-feu doit être fixé à la base de chaque ouverture charpentée dans un toit ou un plafond par lequel traverse le système d'évacuation. Appliquez un joint de calfeutrage tout autour et placez un espaceur coupe-feu par-dessus le protecteur de conduit d'évacuation pour empêcher l'arrivée d'air froid dans la pièce ou autour de l'appareil. Assurez-vous que l'espaceur coupe-feu et le protecteur de conduit d'évacuation conservent le dégagement nécessaire aux matériaux combustibles. Une fois que le conduit d'évacuation est en place, appliquez un agent d'étanchéité entre le conduit d'évacuation et l'espaceur coupe-feu.
- Dans le grenier, faites glisser le collet de conduit d'évacuation vers le bas afin de recouvrir l'extrémité ouverte du protecteur de conduit d'évacuation et serrez. Ceci empêchera tout matériau, tel que l'isolant, de remplir l'espace vide de 1 po (25,4mm) autour de l'évent.

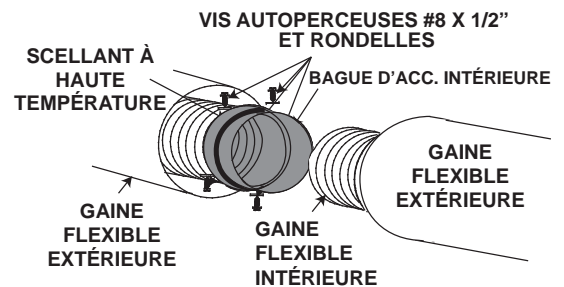
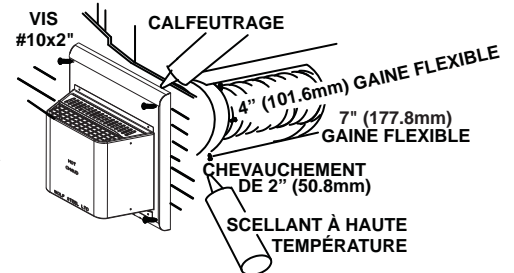


21.1A

! AVERTISSEMENT

LA TERMINAISON NE DOIT PAS ÊTRE ENCHÂSSÉE DANS UN MUR OU UN REVÊTEMENT EXTÉRIEUR À UNE PROFONDEUR EXCÉDANT CELLE DE LA BRIDE DE LA PLAQUE DE MONTAGE.

- A.** Étirez la gaine flexible intérieure à la longueur re-quire en tenant compte de la longueur additionnelle nécessaire pour la surface du mur fini. Appliquez un généreux joint de scellant à haute température W573-0007 Mill Pac (non fourni). Glissez la gaine flexible sur le manchon intérieur de la terminaison en assurant un chevauchement minimal de 2" (50.8mm) et fixez à l'aide de trois vis #8.
- B.** Installez la gaine rigide extérieure en la glissant sur le manchon extérieur de la terminaison et fixez à l'aide de trois vis #8. Scellez avec du scellant à haute température W573-0002 (non fourni).
- C.** Insérez les gaines dans le coupe-feu tout en conservant le dégagement nécessaire aux matériaux combustibles. En soutenant la terminaison (les inscriptions étant à l'endroit et lisibles), fixez-la au mur extérieur et rendez-la étanche en la scellant avec du calfeutrage (non fourni).
- D.** De l'intérieur de la maison, scellez en appliquant de la silicone entre le conduit d'évent et le coupe-feu. Glissez ensuite le collet de finition noir sur le conduit d'évent jusqu'au coupe-feu.
- E.** Si plus de sections de gaine doivent être utilisées pour atteindre l'appareil, raccordez-les ensemble tel qu'illustré. Les courses horizontales et verticales du système d'évacuation doivent être supportées chaque 3 pieds (0.9m) approximativement. Utilisez des supports incombustibles afin de maintenir le dégagement minimal aux matériaux combustibles.



La plaque de montage de la terminaison peut être enchâssée dans le mur ou le revêtement extérieur, n'excédant pas l'épaisseur de la bride.

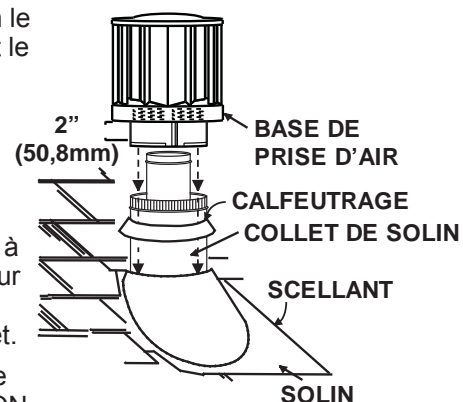
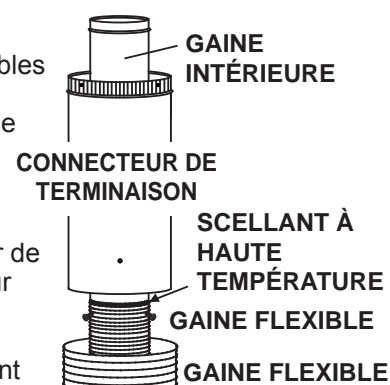
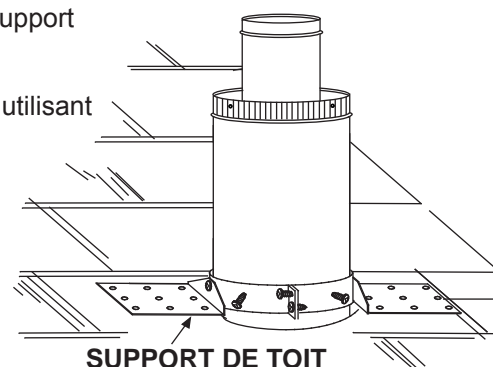
23.7C

5.2.4 INSTALLATION DE LA TERMINAISON VERTICALE - MODÈLE GDS60-1

! AVERTISSEMENT

CONSERVEZ UN ESPACE MINIMAL DE 2" (50,8mm) ENTRE LA BASE DE LA PRISE D'AIR ET LE COLLET DE SOLIN.

- A. Fixez le support de toit au toit à l'aide des vis fournies. Le support de toit est optionnel. Dans ce cas, l'évent doit être supporté adéquatement soit en utilisant une méthode alternative se conformant aux normes des autorités compétentes, soit en utilisant le support de toit optionnel.
- B. Étirez la gaine flexible intérieure à la longueur requise. Glissez la gaine flexible intérieure sur le manchon intérieur du connecteur de terminaison en assurant un chevauchement minimal de 2" (50,8mm) et fixez à l'aide de trois vis #8. Scellez en appliquant un généreux joint de scellant à haute température W573-0007 (non fourni).
- C. Installez la gaine flexible extérieure de la même façon et scellez en appliquant un généreux joint de scellant à haute température W573-0002 (non fourni).
- D. Faites passer le montage du connecteur de terminaison/gaines flexibles à travers le toit. La terminaison doit être verticale et d'aplomb. Fixez le connecteur de terminaison au support de toit en vous assurant que le dessus de la terminaison excède le côté le plus élevé du toit d'au moins 16" (406,4mm) une fois fixée.
- E. Enlevez les clous des bardeaux sur le dessus et les côtés du connecteur de terminaison. Placez le solin par-dessus le connecteur de terminaison en laissant un minimum de 3/4" (19,1mm) de connecteur de terminaison visible au-dessus du haut du solin. Glissez le solin sous les côtés et le bord supérieur des bardeaux. Assurez-vous que le connecteur de terminaison est bien centré dans le solin, en laissant une marge de 3/4" (19,1mm) tout autour. Fixez-le au toit. Ne clouez pas à travers la partie inférieure du solin. Imperméabilisez-le en le scellant avec du calfeutrage. Si possible, recouvrez les côtés et le bord supérieur du solin avec des matériaux de couverture.
- F. Alignez les joints de la terminaison et du connecteur de terminaison et placez la terminaison par-dessus le connecteur de terminaison en vous assurant que le manchon pénètre dans le trou de la terminaison. Fixez à l'aide des trois vis fournies.
- G. Appliquez un généreux joint de calfeutrage à l'épreuve de l'eau à 2" (50,8mm) au-dessus du solin. Installez le collet de solin autour de la terminaison et glissez-le jusqu'à la ligne de calfeutrage. Serrez afin d'assurer l'étanchéité entre la terminaison et le collet.
- H. Si plus de sections de gaine doivent être utilisées pour atteindre l'appareil, voir la section « INSTALLATION DE LA TERMINAISON HORIZONTALE ».

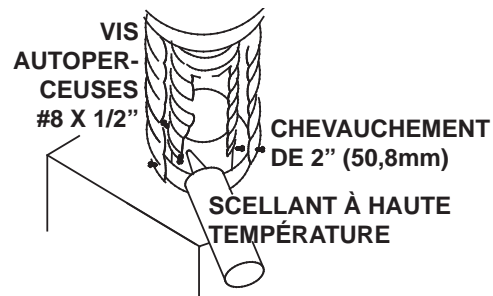


24.1A

FR

5.3 RACCORDEMENT DES ÉVÉNEMENTS À L'APPAREIL - MODÈLE GDS60-1

- A. Attachez le tuyau télescopique à la dernière section de conduit rigide. Fixez-le avec des vis et scellez.
- B. Raccordez la gaine flexible intérieure à l'appareil. Fixez-la à l'aide de trois vis et de trois rondelles. Scellez le joint et les têtes de vis avec du Mill-Pac W573-0007 (non fourni).
- C. Appliquez un joint de scellant à haute température (non fourni) à l'intérieur de la buse de prise d'air. Glissez le conduit télescopique à l'intérieur de la buse de prise d'air sur une longueur d'au moins 2" (50.8mm).



NOTE : Assurez-vous que le scellant n'est pas visible sur les tuyaux extérieurs une fois l'installation terminée. Une bande décorative noire optionnelle est disponible à cet effet. Dans l'éventualité où le système d'événements doit être démonté, il faudra prendre soin de sceller les événements à nouveau.

28.3A

5.4 TERMINAISON VERTICALE À TRAVERS UNE CHEMINÉE EXISTANTE

! AVERTISSEMENT**RISQUE D'INCENDIE!**

LES CONFIGURATIONS D'ÉVACUATION COAXIALES À COLINÉAIRES NE DOIVENT ÊTRE UTILISÉES QUE DANS UNE CHEMINÉE OU UNE ENCEINTE DE NATURE INCOMBUSTIBLE. UNE INSTALLATION DANS UNE ENCEINTE COMBUSTIBLE PEUT CAUSER UN INCENDIE.

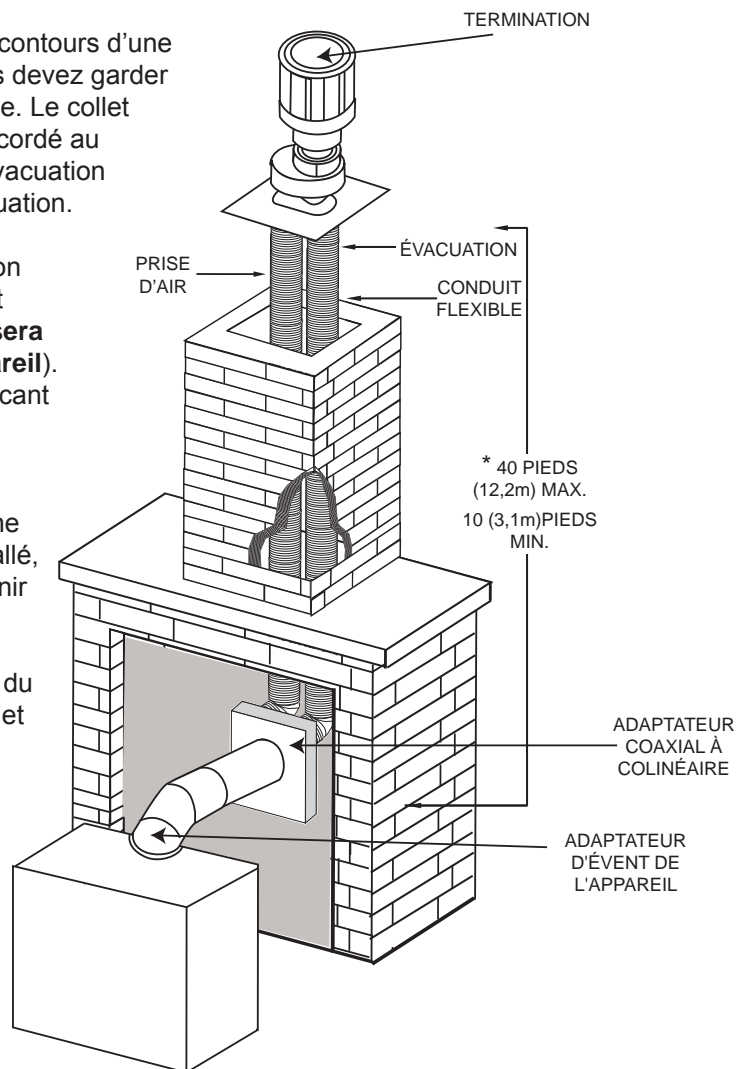
Cet appareil est conçu pour être raccordé à un système d'évent flexible colinéaire de 3" (76,2mm) en aluminium se prolongeant sur toute la longueur de la cheminée de maçonnerie.

Les conduits flexibles s'adaptent à tous les contours d'une cheminée de maçonnerie. Néanmoins, vous devez garder les conduits flexibles aussi droit que possible. Le collet de prise d'air de la terminaison doit être raccordé au conduit flexible de prise d'air et le collet d'évacuation de la terminaison au conduit flexible d'évacuation.

Les adaptateurs colinéaire à coaxial Simpson Duravent et Selkirk sont approuvés pour cet appareil (**NOTE : Un adaptateur d'évent sera nécessaire directement à partir de l'appareil**). Suivez les instructions d'installation du fabricant du système d'évacuation.

Des composants d'évacuation de différents fabricants ne doivent pas être combinés. Une fois que l'adaptateur de votre choix est installé, le reste du système d'évacuation doit provenir du même fabricant.

La seule exception à cette règle est l'usage du système de conduit flexible de 3" (76,2mm) et de terminaison colinéaire Wolf Steel.



* Mesurée à partir de la buse de l'appareil jusqu'au collet de la terminaison.

7.6A

5.6 INSTALLATION DANS UNE MAISON MOBILE - MODÈLE GDS60-1

Au Canada, l'installation de l'évacuation dans une maison mobile peut être horizontale ou verticale. Aux États-Unis, l'évacuation ne peut être que verticale. Voir les sections « ÉVACUATION VERTICALE » ou « INSTALLATION DE LA TERMINAISON HORIZONTALE » pour l'installation.

Pour une installation dans une maison mobile, l'appareil doit être fixé en place. Il est recommandé de fixer l'appareil dans tous les types d'installation. Utilisez l'ensemble de bride de fixation et de nivellement GDSLL-KT à cet effet.

FR

5.5 BRANCHEMENT DU GAZ

 AVERTISSEMENT
RISQUE D'INCENDIE, D'EXPLOSION OU D'ASPHYXIE. ASSUREZ-VOUS QU'IL N'Y AIT AUCUNE SOURCE D'ALLUMAGE COMME DES ÉTINCELLES OU UNE FLAMME NUE.
SOUTENEZ LE CONTRÔLE DU GAZ LORSQUE VOUS ATTACHEZ LE TUYAU POUR ÉVITER DE PLIER LA CONDUITE DE GAZ.
ALLUMEZ TOUJOURS LA VEILLEUSE, QUE CE SOIT POUR LA PREMIÈRE FOIS OU LORSQUE L'APPROVISIONNEMENT EN GAZ EST ÉPUISÉ, AVEC LA PORTE VITRÉE OUVERTE OU RETIRÉE. LA PURGE DOIT ÊTRE EFFECTUÉE PAR UN TECHNICIEN QUALIFIÉ. ASSUREZ-VOUS QUE L'ARRIVÉE DE GAZ AU BRÛLEUR EST CONTINUE AVANT DE FERMER LA PORTE. ASSUREZ-VOUS D'UNE VENTILATION ADÉQUATE. POUR LES EMPLACEMENTS DE L'ENTRÉE DU GAZ ET DE L'ENTRÉE ÉLECTRIQUE, VOIR LA SECTION « DIMENSIONS ».
LORSQUE LE BRANCHEMENT EST TERMINÉ, TOUS LES RACCORDS DE GAZ DOIVENT SE TROUVER À L'INTÉRIEUR DU FOYER.
LES PRESSIONS ÉLEVÉES ENDOMMAGERONT LA SOUPAPE. L'ALIMENTATION EN GAZ DOIT ÊTRE DÉBRANCHÉE PENDANT LES ESSAIS DE PRESSION DE CE SYSTÈME LORSQUE LES PRESSIONS D'ESSAI EXCÈDENT ½ LB/PO² (3,5 KPA).
LES RÉGLAGES DE LA SOUPAPE ONT ÉTÉ FAITS EN USINE; NE LES MODIFIEZ PAS.

L'installation et l'entretien doivent être effectués par un installateur qualifié.

- A.** Mettez l'appareil en place et fixez-le.
- B.** Si l'appareil est muni d'un raccord flexible, celui-ci est conçu pour recevoir une conduite de gaz de 1/2". Sans raccord flexible, l'appareil est conçu pour recevoir une conduite de gaz de 3/8". L'appareil est muni d'une soupape d'arrêt manuelle pour fermer l'alimentation en gaz.
- C.** Branchez le gaz en conformité avec les codes locaux. En l'absence de codes locaux, l'installation doit être conforme au Code d'installation du gaz CAN/CSA-B149.1 dans sa version pour le Canada ou le National Fuel Gas Code, ANSI Z223.1 / NFPA 54 pour les États-Unis.
- D.** Lorsque vous manipulez des conduites de gaz, soutenez la soupape de gaz pour éviter que les conduites ne se plient.
- E.** Le raccord flexible de l'alimentation en gaz devrait être suffisamment mobile pour permettre de placer l'assemblage du brûleur sur le côté.
- F.** Vérifiez pour des fuites de gaz en appliquant une solution d'eau savonneuse. **N'utilisez pas une flamme nue.**

30.1A

5.8 INTERRUPTEUR / THERMOSTAT MURAL OPTIONNEL

Pour faciliter l'accès, un interrupteur mural ou un thermostat millivolt optionnel peut être installé dans un endroit pratique. Passez un fil millivolt à deux brins (noyau solide) de l'appareil à l'interrupteur mural/thermostat millivolt. La longueur maximale dépend du calibre du fil :

DIAMÈTRE DU FIL	LONGUEUR MAX.
calibre 14	100 pieds (30m)
calibre 16	60 pieds (18m)
calibre 18	40 pieds (12m)

MODÈLE À ÉVACUATION DIRECTE GDS60-1P: Débranchez un des fils de l'interrupteur marche/arrêt puis branchez les fils aux fils de l'interrupteur mural/thermostat/récepteur du système de commande à distance. Voir la section « SCHÉMA DE CÂBLAGE ».

MODÈLE À ÉVACUATION DE TYPE « B » GS60 -1P: Débranchez un des fils de l'interrupteur marche/arrêt puis branchez les fils aux fils de l'interrupteur mural/thermostat/récepteur du système de commande à distance/interrupteur d'écoulement de l'adaptateur pour événement de type «B». Voir la section « SCHÉMA DE CÂBLAGE ».

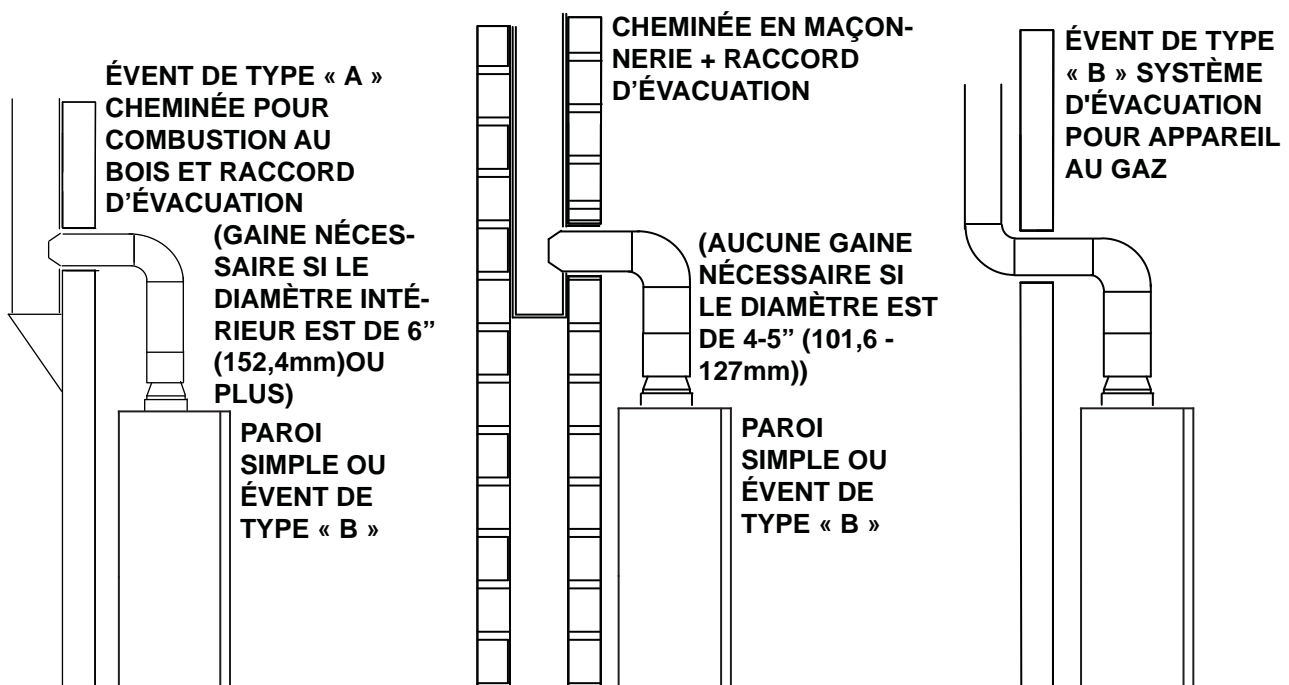
5.7 SPÉCIFICATION POUR LE TIRAGE NATUREL - MODÈLE GS60-1

5.7.1 INSTALLATION DE LA CHEMINÉE

! AVERTISSEMENT

UNE CHEMINÉE SERVANT D'ÉVACUATION À CET APPAREIL NE DOIT PAS SERVIR POUR UN APPAREIL DE CHAUFFAGE À COMBUSTIBLE SOLIDE.

Trois types de systèmes de cheminée peuvent être utilisés avec cet appareil.



Une cheminée servant d'évacuation à cet appareil ne doit pas servir pour un appareil de chauffage à combustible solide.

Toutes les courses horizontales doivent avoir une élévation minimale de 1/4" (6,4mm) par pied (0,3m).

63.7B

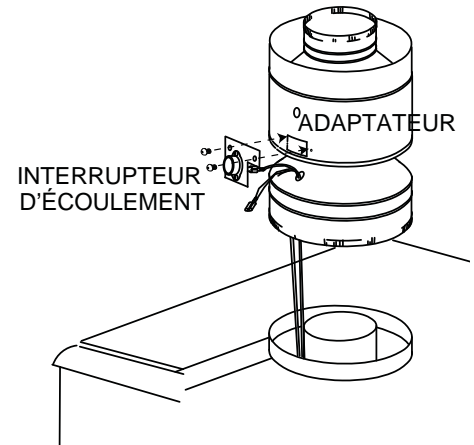
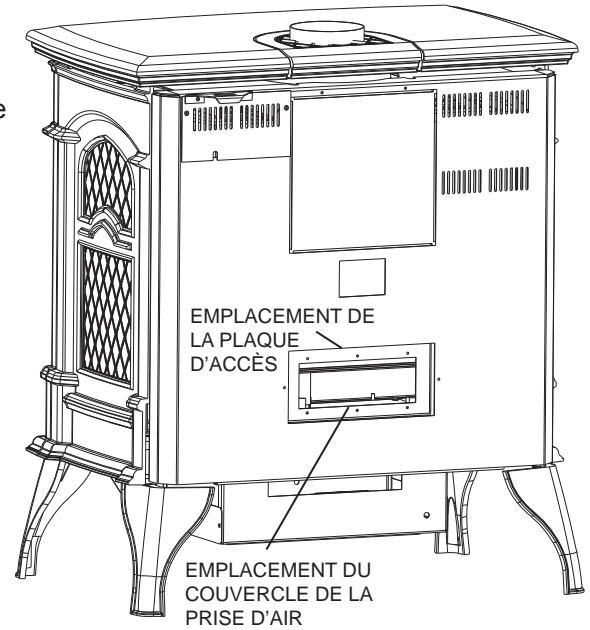
5.8.1 INSTALLATION DU TIRAGE NATUREL

Suivez les instructions du fabricant un tirage naturel pour l'installation de la cheminée.

- A. Enlevez la plaque d'accès. Retirez et jetez le couvercle de la prise d'air situé directement en arrière de la plaque d'accès.
- B. Passez les deux fils fournis à travers le collet de 7" (178mm) sur le dessus de l'appareil; sortez-les par l'ouverture de la prise d'air, mais tout en demeurant derrière le panneau arrière tel qu'illustré.

NOTE : Assurez-vous que les 2 extrémités femelles demeurent sur le dessus. Remettez en place la plaque d'accès.

- C. Retirez le support de l'interrupteur d'écoulement de l'arrière de l'adaptateur. Dévissez l'interrupteur d'écoulement et jetez le support. Fixez l'interrupteur d'écoulement au support fourni avec l'appareil et fixez-le sur l'adaptateur.
- D. Passez les fils dans le trou inférieur de l'adaptateur. Afin de passer les fils dans le trou plus facilement, attachez temporairement les deux connecteurs ensemble, avec du ruban adhésif.
- E. Avec l'ouverture de l'interrupteur d'écoulement alignée avec l'arrière de l'appareil, tenez l'adaptateur par la base et insérez le rebord gaufré de l'adaptateur dans le collet de la buse de l'appareil.
- F. Branchez les connecteurs à l'interrupteur d'écoulement.
- G. Débranchez les fils de l'interrupteur marche/arrêt, voir la section « SCHÉMA DE CÂBLAGE » et rebranchez-les à l'extrémité des fils de l'interrupteur d'écoulement. Placez tout excès de fils de façon ordonné.



Pour des raisons esthétiques, l'adaptateur a été conçu pour un tuyau d'appareil standard de 7" (178mm) de couleur noir mat et la bande décorative en laiton Napoléon® (standard avec le GS-150KT). Les deux sont disponibles auprès de votre détaillant autorisée

5.8.2 TIRAGE NATUREL

Appelez l'étiquette d'un tirage naturel, ci-dessous, près des contrôles de l'appareil.

ATTACH THIS LABEL IN THE CONTROL AREA OF THE APPLIANCE.
THIS APPLIANCE HAS BEEN CONVERTED TO A NATURAL VENT MODEL.

ATTACHEZ CET ÉTIQUETTE DANS LA RÉGION DE CONTRÔLE DUE FOYER.
CET APPAREIL A ÉTÉ CONVERTI À UN MODÈLE À TIRAGE NATUREL.

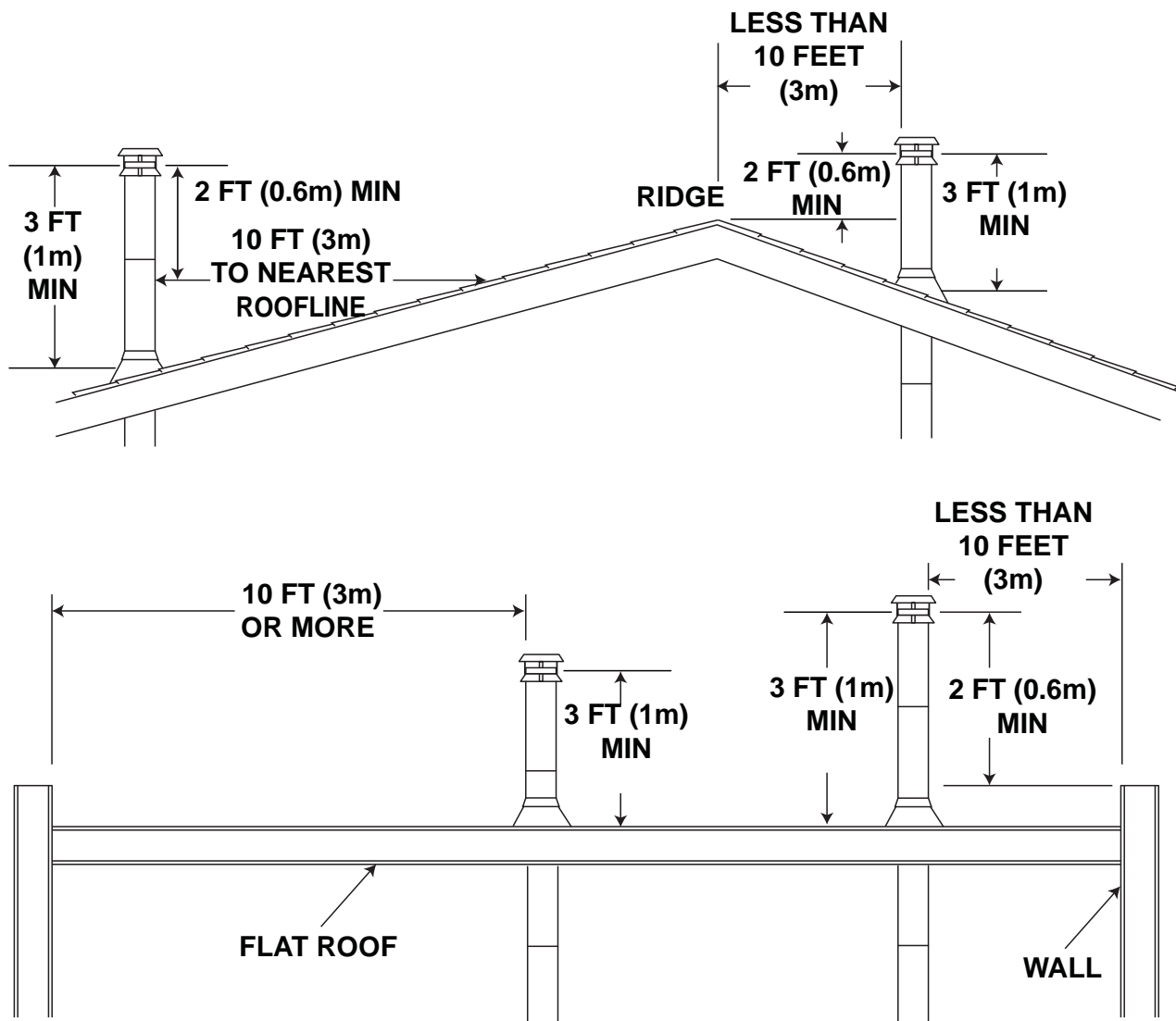
A / W385-0160

5.8.3 AIR COMBURANT

Cet appareil requiert de l'air pour fonctionner de façon sécuritaire et doit être installé dans un endroit où l'air comburant disponible sera suffisant.

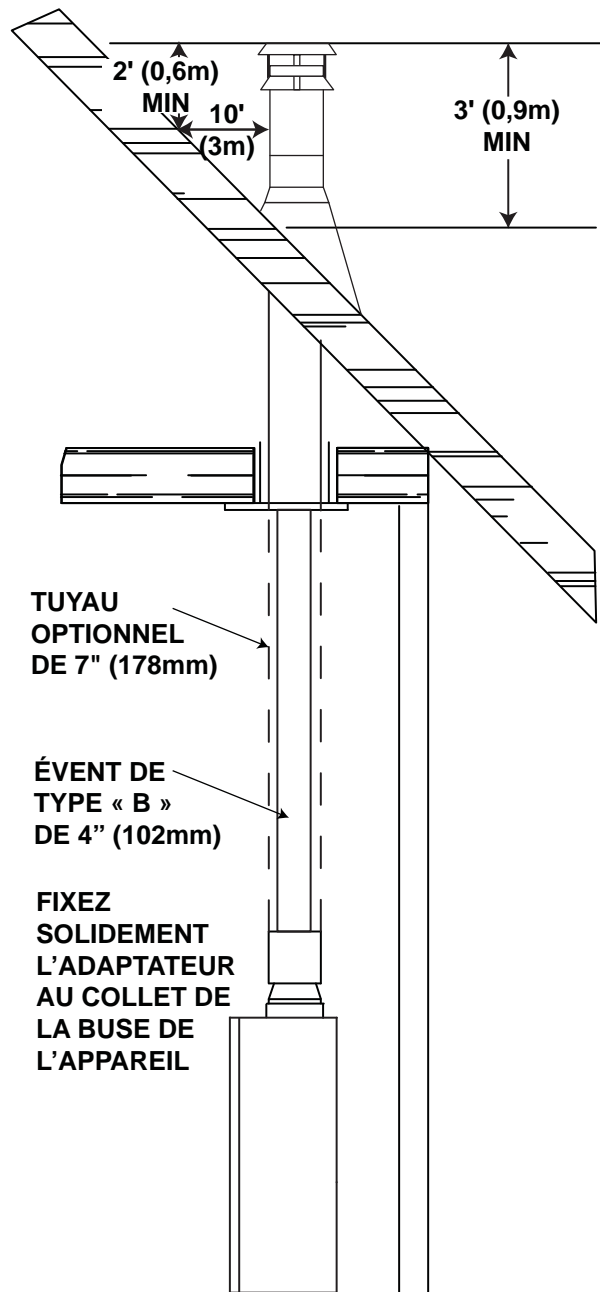
5.8.4 AJOUT DE SECTIONS D'ÉVENTS

Ajoutez des sections de cheminée, selon les instructions d'installation des manufacturiers. La cheminée doit dépasser le toit d'au moins 3' (0,9m) de son point de contact avec la toiture, et 2' (0,6m) de tout mur, toit ou édifice se trouvant à l'intérieur d'une distance horizontale de 10' (3,1m).



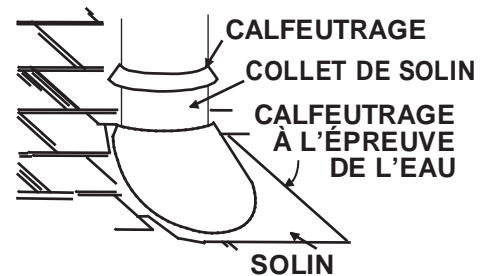
59.1B

FR



5.8.5 INSTALLATION DU SOLIN ET DU COLLET DE SOLIN

Enlevez les clous des bardeaux sur le dessus et les côtés de la cheminée. Placez le solin par-dessus le tuyau d'évacuation et glissez-le sous les côtés et le bord supérieur des bardeaux. Assurez-vous que le tuyau est bien centré dans le solin en laissant une marge de 3/4" (19,1mm) tout autour. Fixez-le au toit sur le dessus et les côtés. **NE CLOUEZ PAS** à travers la partie inférieure du solin. Imperméabilisez-le en le scellant avec du calfeutrage. Si possible, recouvrez les côtés et les bords supérieurs du solin avec des matériaux de couvertures. Appliquez un joint de calfeutrage à l'épreuve de l'eau autour de l'évacuation à 1" (25,4mm) au-dessus du haut du solin et glissez le collet de solin jusqu'à la ligne de calfeutrage. Fixez un chapeau vertical au sommet de la dernière section de l'évacuation.



88.1A

6.0 FINITION

6.1 ENLÈVEMENT DE LA FAÇADE EN FONTE

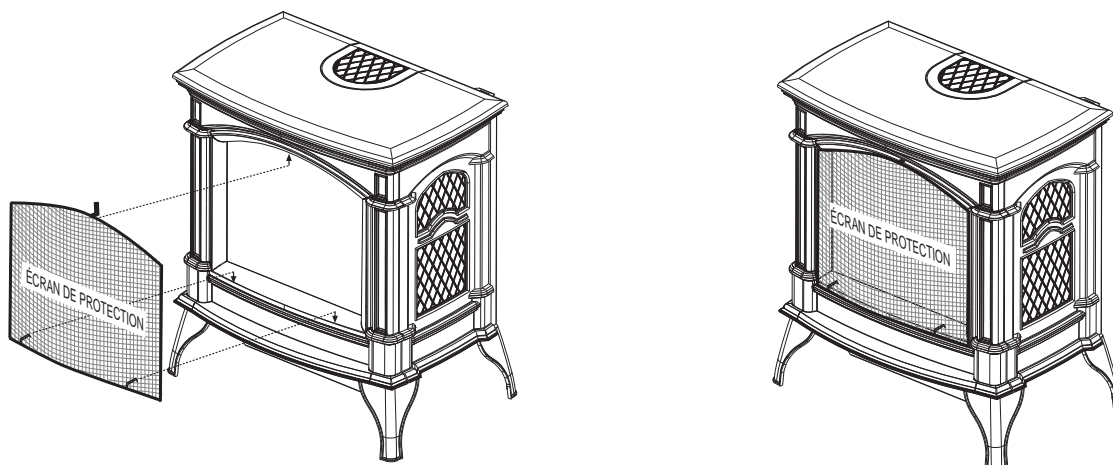
- A. Soulevez et retirez le dessus de l'appareil.
- B. Dévissez les boulons de fixation de la façade en fonte (situés de chaque côté dans le haut). Soulevez et retirez.
- C. Pour installer la façade, répétez la procédure en sens inverse.



6.3 INSTALLATION ET ENLÈVEMENT DE L'ÉCRAN DE PROTECTION

Une barrière conçu à réduire le risque de brûlures à partir de la chaude la vitre est à condition que avec l'appareil et sera être installés.

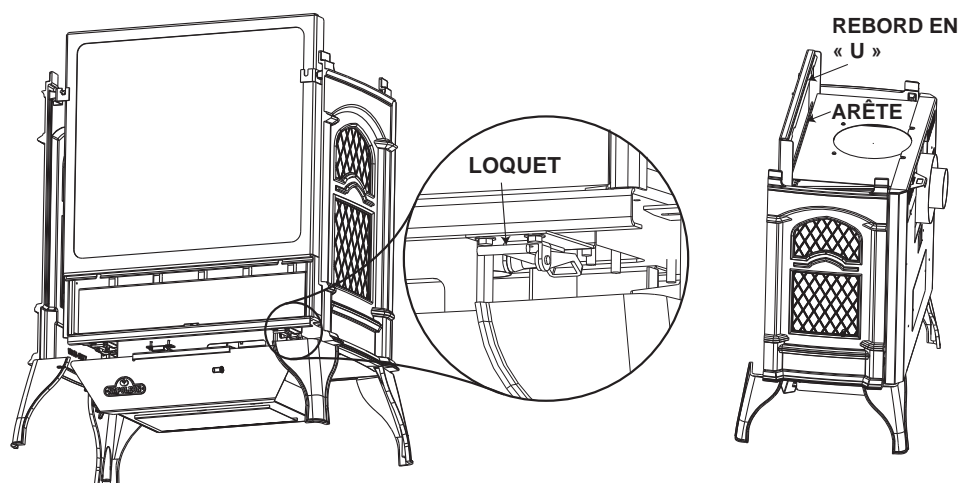
- A. Enlevez l'écran de protection en soulevant légèrement, enfoncez le bas alors inférieure de l'écran. Enlevez et jetez la plastique.
- B. Inclinez le dessus de l'écran de protection vers l'appareil et fixez sous la coulée haut.
- C. Faites basculer l'inférieure de l'écran de protection en position et inférieure, ce qui permet aux pinces de fond pour reposer sur l'ouverture du fond. Attention à ne pas rayer la coulée de fond.



6.2 ENLÈVEMENT ET INSTALLATION DE LA PORTE VITRÉE

Lorsque vous installez la porte vitrée, de simples instructions doivent être suivies afin de ne pas l'endommager.

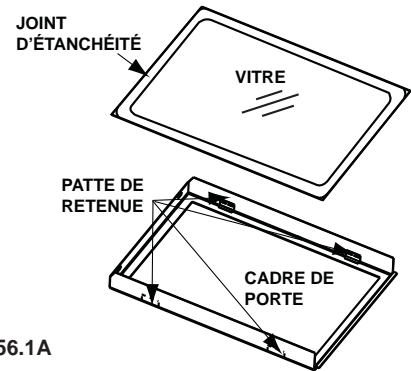
- A. Soulevez et retirez le dessus de l'appareil.
- B. Soulevez la façade de l'appareil hors de ses ancrages (situés de chaque côté dans le haut).
- C. Ouvrez la porte de contrôle de la soupape. Tirez la poignée des loquets vers l'avant pour ouvrir. La porte vitrée peut maintenant être enlevée en toute sécurité en tirant sur le bas et en la soulevant. Pour installer la porte, suivez les instructions en sens inverse. Le rebord en « U » de la porte doit s'insérer sur l'arête de l'appareil afin de s'appuyer sur le dessus du caisson. L'extrémité en « T » du loquet est filetée et peut être desserrée ou serrée afin de bien ajuster l'étanchéité de la porte. En réinstallant la porte, faites bien attention à ce que le joint d'étanchéité dans le haut de la porte ne s'entasse pas.



6.4 REMPLACEMENT DE LA VITRE DE PORTE

! AVERTISSEMENT**N'UTILISEZ PAS DE MATÉRIAUX DE SUBSTITUTION.****LA VITRE PEUT ÊTRE CHAUDE, NE TOUCHEZ PAS LA VITRE JUSQU'À CE QU'ELLE AIT REFROIDI.****USEZ DE PRUDENCE LORSQUE VOUS ENLEVEZ ET JETEZ DES DÉBRIS DE VERRE OU DES COMPOSANTS ENDOMMAGÉS. ASSUREZ-VOUS D'ASPIRER TOUS LES DÉBRIS DE VERRE À L'INTÉRIEUR DE L'APPAREIL AVANT DE LE FAIRE FONCTIONNER.****NE FRAPPEZ PAS, NE CLAQUEZ PAS ET N'ÉGRATIGNEZ PAS LA PORTE VITRÉE. NE FAITES PAS FONCTIONNER L'APPAREIL LORSQUE LA PORTE VITRÉE EST ENLEVÉE, FISSURÉE, BRISÉE OU ÉGRATIGNÉE.**

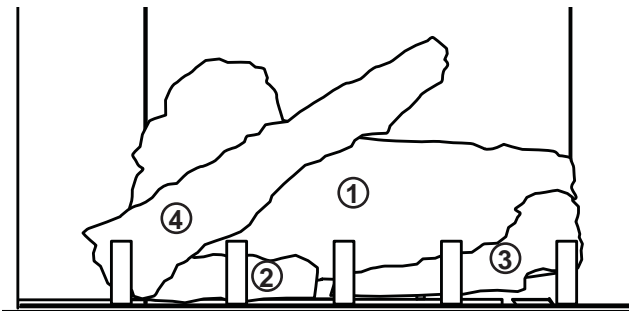
- A. Placez le cadre de la porte avec la devanture vers le bas en prenant soin de ne pas égratigner la peinture.
- B. Centrez la vitre avec joint d'étanchéité dans le cadre avec le côté épais du joint d'étanchéité orienté vers le haut.
- C. Pliez les pattes de retenue situées sur le cadre par-dessus le joint d'étanchéité pour retenir la vitre en place. Faites attention à ne pas casser la vitre.



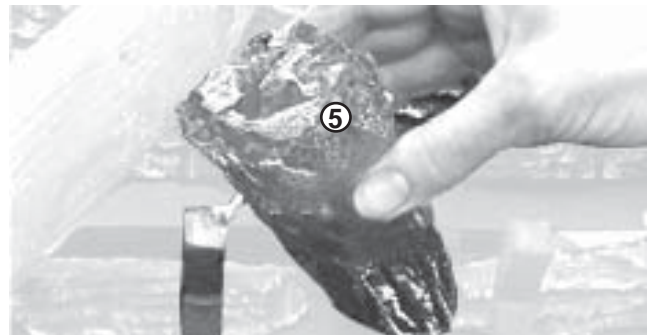
56.1A

6.5 DISPOSITION DES BÛCHES

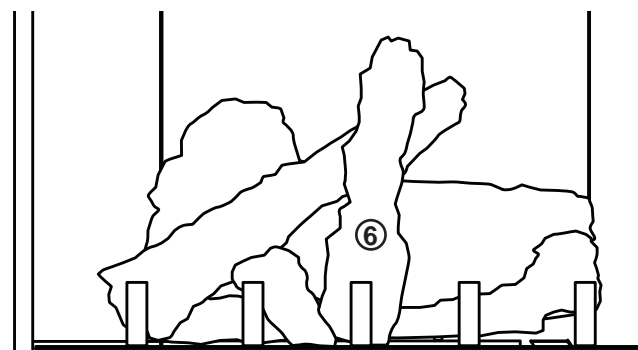
Le blocage des orifices du brûleur peut créer une flamme irrégulière, des dépôts de carbone et un retard d'allumage. Les bûches Phazer^{MD} rougeoient lorsqu'elles sont exposées à une flamme directe, créant un effet incandescent réaliste et unique. N'utilisez que des bûches certifiées Phazer^{MD}, disponibles chez votre détaillant Napoléon[®].



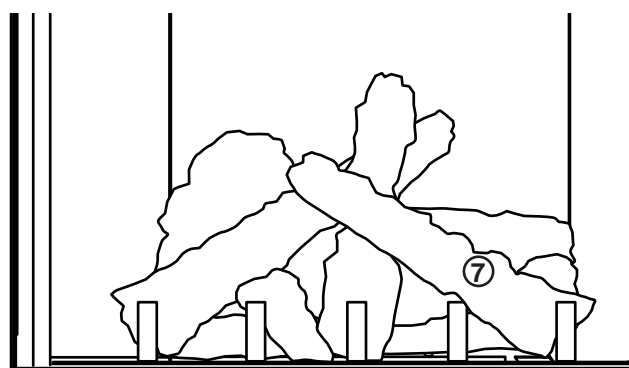
Placez la bûche #1 sur le brûleur, en prenant soin de la centrer sur le plateau du brûleur et en la poussant le plus près possible du mur arrière de la chambre de combustion. Placez les bûches # 2 et 3 à leur place, tout en alignant les tiges situées sur le brûleur avec les trous sous les bûches. Placez l'encoche située au bas de la bûche #4 contre le poteau le plus à gauche du chenet et placez le haut de la bûche dans la rainure qui se trouve sur la bûche arrière (#1).



L'encoche de la bûche #5 doit être placée sur la tige située sur le poteau de chenet tel qu'illustré afin d'empêcher la bûche de bouger.



Placez l'encoche de la bûche #6 contre le poteau du chenet.



Placez le bas de la bûche #7 contre le poteau le plus à droite du chenet et le haut dans la rainure située sur la bûche centrale (#6). Pliez légèrement le poteau vers l'intérieur afin de mieux supporter la bûche #7. Déchirez les braises incandescentes en morceaux et placez-les en avant du brûleur. Les braises devraient être déchirées très soigneusement en *petits morceaux minces irréguliers*, car seuls les côtés des fibres exposées à la flamme directe deviendront incandescents; cependant, prenez bien garde de ne pas boucher les orifices du brûleur. Le blocage des orifices du brûleur peut créer une flamme irrégulière, des dépôts de carbone et un retard d'allumage.

La couleur des bûches peut varier. Lors de la première utilisation de l'appareil, les couleurs deviendront plus uniformes à mesure que leurs pigments seront absorbés pendant le procédé de cuisson.

IL SE PRODUIRA DES DÉPÔTS DE CARBONE ET UNE DIMINUTION DE FLAMME SI LES BÛCHES NE SONT PAS PLACÉES CORRECTEMENT.

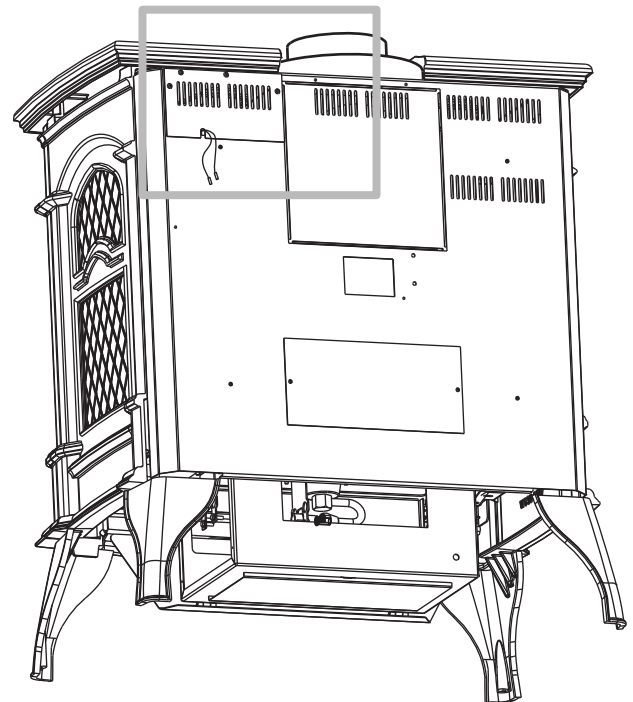
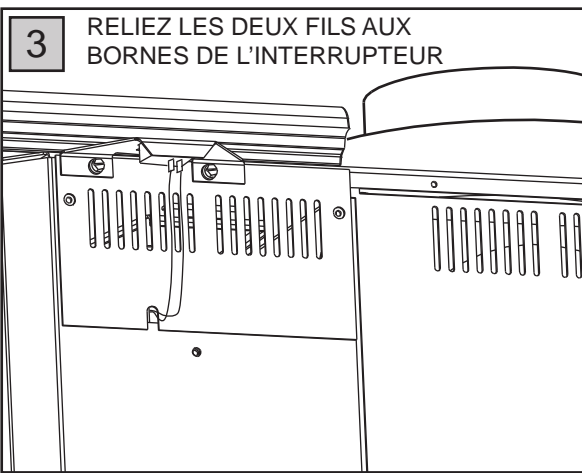
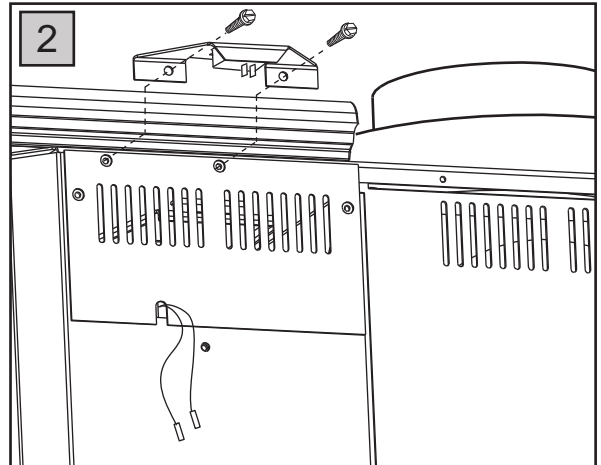
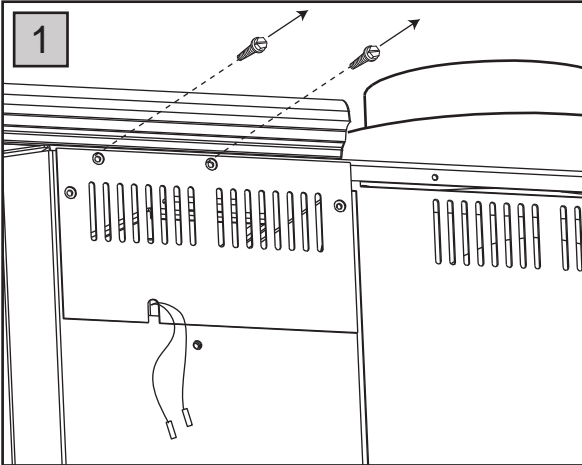
6.6 MISE EN PLACE DU LOGO

Retirez le papier dorsal du logo fourni et positionnez-le de façon à camoufler les trous.



6.7 INSTALLATION DE L'INTERRUPTEUR ET DU SUPPORT

FR



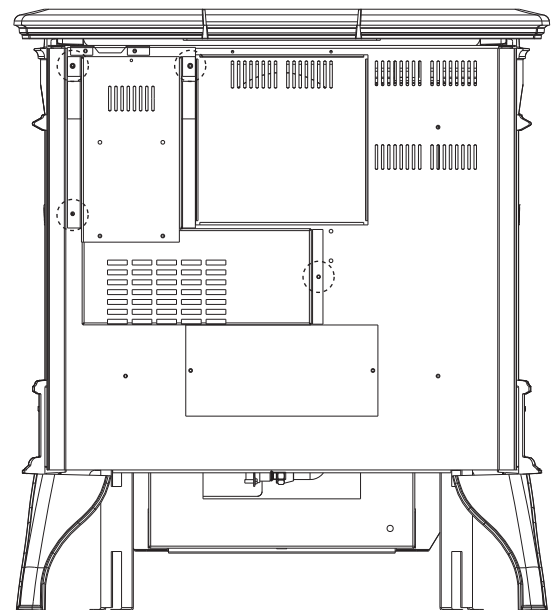
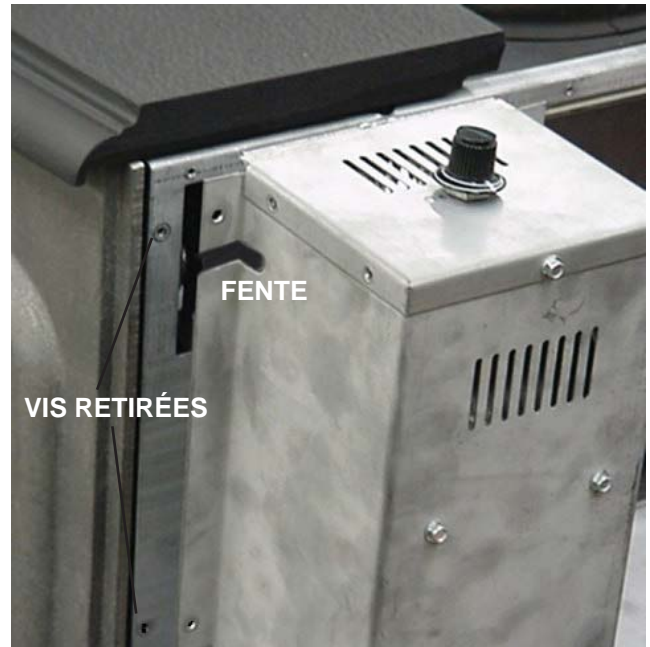
7.0 INSTALLATION DE LA SOUFFLERIE

- A. Assurez-vous que la plaque d'accès a été installée. Voir la section « INSTALLATION DE L'INTERRUPTEUR ET DU SUPPORT ».
- B. Retirez le support de l'interrupteur marche/arrêt et la plaque en dessous de celui-ci. Les espaceurs de l'interrupteur et la plaque peuvent être jetés.
- C. Décidez de quel côté du boîtier de la soufflerie vous préférez installer l'interrupteur marche/arrêt.
- D. Retirez les 2 vis supérieures du côté gauche de l'appareil.
- E. Installez et fixez le boîtier de la soufflerie à l'aide de 4 vis (dont 2 vis qui avaient été retirées à l'étape précédente). Assurez-vous que les fils de l'interrupteur marche/arrêt passent sur l'un ou l'autre côté du boîtier de la soufflerie.
- F. Retirez les 2 vis du côté du boîtier de la soufflerie sur lequel vous voulez installer l'interrupteur et refixez l'interrupteur marche/arrêt.

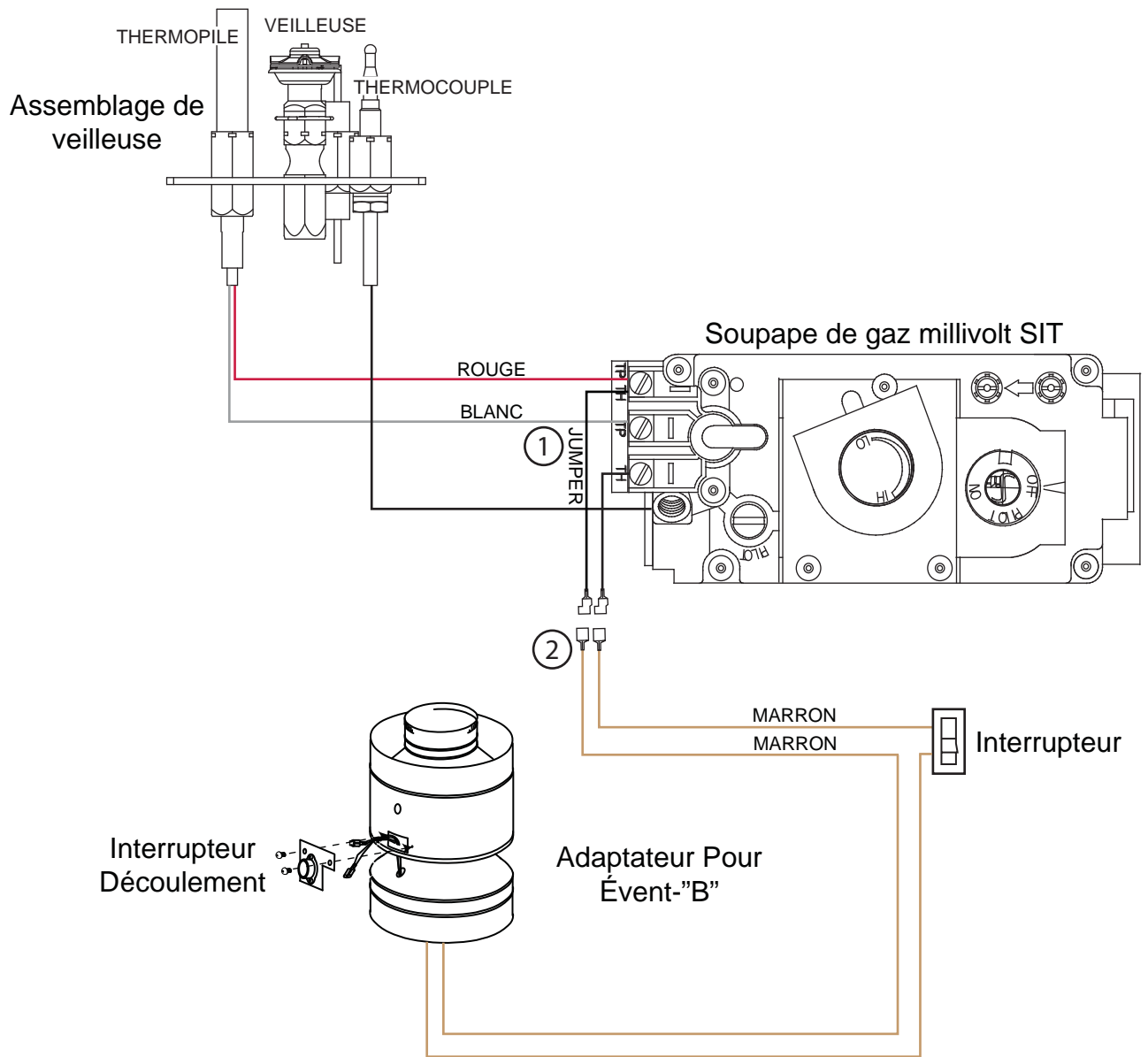
La soufflerie étant actionnée par la chaleur lorsque l'interrupteur est à « ON », elle se mettra automatiquement en marche, environ 15 à 30 minutes après l'allumage de l'appareil et fonctionnera de 30 à 45 minutes environ après l'arrêt de l'appareil. L'utilisation de la soufflerie accroît le débit de cha-leur.

La poussière de gypse pénétrera dans le roulement à billes de la soufflerie causant ainsi des dommages irréparables. Vous devez éviter que cette poussière n'entre en contact avec la soufflerie ou son compartiment.


Tout dommage causé par ce problème ne sera pas couvert par la garantie.



8.0 SCHÉMA DE CÂBLAGE



9.0 FONCTIONNEMENT

 AVERTISSEMENT
SI CES INSTRUCTIONS NE SONT PAS SUIVIES À LA LETTRE, UN INCENDIE OU UNE EXPLOSION POURRAIENT S'ENSUIVRE, CAUSANT DES DOMMAGES MATÉRIELS, DES BLESSURES CORPORELLES OU DES PERTES DE VIE.
ALLUMEZ TOUJOURS LA VEILLEUSE, QUE CE SOIT POUR LA PREMIÈRE FOIS OU LORSQUE L'APPROVISIONNEMENT EN GAZ EST ÉPUISÉ, AVEC LA PORTE VITRÉE OUVERTE OU RETIRÉE.
TOUTE MODIFICATION APPORTÉE À L'INTERRUPTEUR D'ÉCOULEMENT PEUT PROVOQUER UN EMPOISONNEMENT PAR MONOXYDE DE CARBONE ET PEUT ÊTRE MORTEL (GS60-1NSP SEULEMENT).

FR

MODÈLE GS60-1 SEULEMENT : INTERRUPTEUR D'ÉCOULEMENT

Ceci est un interrupteur activé par la chaleur qui est fixé à l'arrière de l'adaptateur de la cheminée et qui détecte les variations de température et ferme la soupape de gaz dans l'éventualité d'un tuyau de cheminée bloqué ou défectueux. Il agit comme un interrupteur de sécurité pour éviter une accumulation de monoxyde de carbone ou une explosion de gaz non brûlés durant l'allumage. Si le tuyau de cheminée est bouché ou ne tire pas, l'interrupteur d'écoulement coupera automatiquement l'arrivée du gaz dans les 5 à 10 minutes qui suivent.

MODÈLE GS60-1 SEULEMENT : VÉRIFICATION DU BON FONCTIONNEMENT DE L'ÉVACUATION

ON DOIT VÉRIFIER LE BON FONCTIONNEMENT DE L'ÉVACUATION DE L'APPAREIL APRÈS L'INSTALLATION ET AVANT DE QUITTER LE CLIENT. Testez de la manière suivante :

- A. Fermez toutes les portes et les fenêtres de la pièce/faites fonctionner les ventilateurs d'évacuation de la maison/éteignez la soufflerie de l'appareil (s'il y a lieu).
- B. Placez les boutons de contrôle à « HIGH » et allumez l'appareil.
- C. Attendez 5 minutes. Allumez une allumette et introduisez-la à une profondeur de 1" (25mm) à l'intérieur du trou situé au-dessus du support de l'interrupteur d'écoulement.
- D. Le fonctionnement de l'évacuation est satisfaisant si la flamme reste allumée, mais insatisfaisant si la flamme s'éteint.
- E. Si le fonctionnement de l'évacuation est insatisfaisant, éteignez l'appareil, attendez 10 minutes et essayez à nouveau. Si l'allumette ne reste pas allumée, éteignez l'appareil et vérifiez s'il n'y aurait pas un blocage ou une obstruction dans l'évacuation. Si nécessaire, consultez un inspecteur qualifié.

9.1 INSTRUCTIONS DE FONCTIONNEMENT

L'interrupteur du brûleur est situé à l'arrière de l'appareil au coin supérieur gauche sur les modèles GDS60-1 et GS60-1.

NOTE : Le déflecteur dans la chambre de combustion de votre nouvel appareil n'a pas été peint intentionnellement. Son apparence lustrée se transformera rapidement en un fini noir mat lors du procédé de « cuisson » initial de l'appareil.

Lorsqu'il est allumé pour la première fois, l'appareil dégagera une légère odeur pendant quelques heures. Cela est une condition normale temporaire causée par la cuisson de la peinture et l'évaporation des lubrifiants internes utilisés dans le processus de fabrication; elle ne se reproduira plus. Après de longues périodes sans utiliser l'appareil, comme à la suite de vacances ou à la fin de l'été, il se peut qu'une légère odeur se dégage pendant quelques heures. Ceci est causé par des particules de poussière brûlant dans l'échangeur de chaleur. Dans les deux cas, ouvrez une fenêtre pour aérer la pièce.

9.2 INSTRUCTIONS DE FONCTIONNEMENT - POUR VOTRE SÉCURITÉ, LISEZ CE QUI SUIT AVANT D'ALLUMER L'APPAREIL

FR

OPERATING INSTRUCTIONS / INSTRUCTIONS D'OPERATION

FOR YOUR SAFETY READ BEFORE OPERATING / POUR VOTRE SECURITE LIRE AVANT DE FAIRE FONCTIONNER

WARNING: DO NOT TURN ON IF CHILDREN OR OTHER AT RISK INDIVIDUALS ARE NEAR THE FIREPLACE. IF YOU DO NOT FOLLOW THESE INSTRUCTIONS EXACTLY, A FIRE OR EXPLOSION MAY RESULT, CAUSING PROPERTY DAMAGE, PERSONAL INJURY OR LOSS OF LIFE. INITIAL LIGHTING OF THE PILOT AND MAIN BURNERS MUST BE DONE WITH THE GLASS DOOR OFF.

ATTENTION : NE PAS ALLUMER SI DES ENFANTS OU D'AUTRES INDIVIDUS A RISQUE SONT A PROXIMITE DU FOYER. QUICONQUE NE RESPECTE PAS A LA LETTRE LES INSTRUCTIONS DANS LA PRESENTE NOTICE RISQUE DE DECLENCHER UN INCENDIE OU UN EXPLOSION ENTRAINANT DES DOMMAGES, DES BLESSURES OU LA MORT. L'ALLUMAGE INITIAL DE LA VEILLEUSE ET DU BRULEUR PRINCIPAL DOIT SE FAIRE AVEC LA PORTE VITREE ENLEVEE.

DO NOT CONNECT VALVE OR WALL SWITCH TO ELECTRICITY. SEE INSTALLATION INSTRUCTIONS.

NE RACCORDEZ PAS LA SOUPEPE OU L'INTERRUPTEUR MURAL A L'ELECTRICITE. CONSULTEZ LES INSTRUCTIONS D'INSTALLATION.

A. THIS APPLIANCE IS EQUIPPED WITH A PILOT WHICH MUST BE LIT BY HAND WHILE FOLLOWING THESE INSTRUCTIONS EXACTLY.

B. BEFORE OPERATING SMELL ALL AROUND THE APPLIANCE AREA FOR GAS AND NEXT TO THE FLOOR BECAUSE SOME GAS IS HEAVIER THAN AIR AND WILL SETTLE ON THE FLOOR.

WHAT TO DO IF YOU SMELL GAS:

- TURN OFF ALL GAS TO THE FIREPLACE.
- OPEN WINDOWS.
- DO NOT TRY TO LIGHT ANY APPLIANCE.
- DO NOT TOUCH ANY ELECTRIC SWITCH; DO NOT USE ANY PHONE IN YOUR BUILDING.
- IMMEDIATELY CALL YOUR GAS SUPPLIER FROM A NEIGHBOUR'S PHONE. FOLLOW THE GAS SUPPLIER'S INSTRUCTIONS.
- IF YOU CANNOT REACH YOUR GAS SUPPLIER, CALL THE FIRE DEPARTMENT.

C. USE ONLY YOUR HAND TO TURN THE GAS CONTROL KNOB / MANUAL SHUT-OFF KNOB. NEVER USE TOOLS. IF THE KNOB WILL NOT TURN BY HAND, DO NOT TRY TO REPAIR IT. CALL A QUALIFIED SERVICE TECHNICIAN. FORCE OR ATTEMPTED REPAIR MAY RESULT IN A FIRE OR EXPLOSION.

D. DO NOT USE THIS APPLIANCE IF ANY PART HAS BEEN UNDER WATER. IMMEDIATELY CALL A QUALIFIED SERVICE TECHNICIAN TO INSPECT THE APPLIANCE AND REPLACE ANY PART OF THE CONTROL SYSTEM AND ANY GAS CONTROL WHICH AS BEEN UNDER WATER.

A. CET APPAREIL EST MUNI D'UNE VEILLEUSE QUI DOIT ETRE ALLUMEE MANUELLEMENT. RESPECTEZ LES INSTRUCTIONS CI-DESSOUS A LA LETTRE.

B. AVANT D'ALLUMER LA VEILLEUSE, RENIFLEZ TOUT AROUND DE L'APPAREIL POUR DECELER UNE ODEUR DE GAZ. RENIFLEZ PRES DU PLANCHER, CAR CERTAINS GAZ SONT PLUS LOURDS QUE L'AIR ET PEUVENT S'ACCUMULER AU NIVEAU DU SOL.

QUE FAIRE SI VOUS SENTEZ UN ODEUR DE GAZ :

- COUPEZ ENTIEREMENT L'ALIMENTATION DE GAZ PRINCIPALE.
- OUVREZ LES FENETRES.
- NE PAS TENTER D'ALLUMER D'APPAREIL
- NE TOUCHEZ PAS A AUCUN INTERRUPTEUR ; NE PAS VOUS SERVIR DES TELEPHONE SE TROUVANT DANS LE BATIMENT.
- APPELEZ IMMEDIATEMENT VOTRE FOURNISSEUR DE GAZ DEPUIS UN VOISIN. SUIVEZ LES INSTRUCTIONS DU FOURNISSEUR.

C. SI VOUS NE POUVEZ REJOINDRE LE FOURNISSEUR, APPELEZ LE SERVICE DES INCENDIES. NE POUSSER OU TOURNER LA MANETTE D'ADMISSION DU GAZ QU'A LA MAIN. NE JAMAIS EMPLOYER D'OUTIL A CETTE FIN. SI LA MANETTE RESTE COINCEE, NE TENTEZ PAS DE LA REPARER; APPELEZ UN TECHNICIEN QUALIFIE. QUICONQUE TENTE DE FORCER LA MANETTE OU DE LA REPARER PEUT PROVOQUER UN EXPLOSION OU UN INCENDIE.

D. N'UTILISEZ PAS CET APPAREIL S'IL A ETÉ PLONGÉ DANS L'EAU, MÊME PARTIELLEMENT. FAITES INSPECTER L'APPAREIL PAR UN TECHNICIEN QUALIFIE ET REMPLACEZ TOUTE PARTIE DU SYSTÈME DE CONTRÔLE ET TOUTE COMMANDE QUI ONT ÉTÉ PLONGÉS DANS L'EAU.

W385-0173 / C

9.3 INSTRUCTIONS D'ALLUMAGE

LIGHTING INSTRUCTIONS / INSTRUCTIONS D'ALLUMAGE

WARNING: THE GAS VALVE HAS AN INTERLOCK DEVICE WHICH WILL NOT ALLOW THE PILOT BURNER TO BE LIT UNTIL THE THERMOCOUPLE HAS COOLED. ALLOW APPROXIMATELY 60 SECONDS FOR THE THERMOCOUPLE TO COOL WHEN LIGHTING AND RE-LIGHTING. THE GAS KNOB CANNOT BE TURNED FROM PILOT TO OFF UNLESS THE KNOB IS DEPRESSED.

AVERTISSEMENT: LA SOUPEPE DE GAZ A UN ENCLICHEMENT QUI NE PERMETTRA PAS A LA VEILLEUSE D'ETRE ALLUMEE PENDANT QUE LE THERMOCOUPLE SE RAFRAICHIT. ATTENDEZ ENVIRON 60 SECONDS POUR QUE LE THERMOCOUPLE SOIT RAFRAICHIT. LORSQUE LE GAZ EST ALLUME OU RE-ALLUME LE BOUTON DE GAZ NE PEUT PAS ETRE TOURNE DE PILOTE A FERME A MOINS QU'IL SOIT ENFONCE.

1. STOP! READ THE SAFETY INFORMATION ON THE OPERATING LABEL.
2. TURN OFF ALL ELECTRIC POWER TO THE FIREPLACE.
3. TURN THE GAS KNOB CLOCKWISE TO OFF.
4. WAIT FIVE (5) MINUTES TO CLEAR OUT ANY GAS. IF YOU SMELL GAS INCLUDING NEAR THE FLOOR, STOP! FOLLOW "B" ON THE OPERATING LABEL. IF YOU DON'T SMELL GAS GO TO THE NEXT STEP.
5. FIND PILOT LOCATED IN FRONT OF BACK LOG.
6. TURN GAS KNOB COUNTER-CLOCKWISE TO PILOT.
7. DEPRESS AND HOLD GAS KNOB WHILE LIGHTING THE PILOT WITH THE PUSH BUTTON IGNITOR. KEEP KNOB FULLY DEPRESSED FOR ONE MINUTE, THEN RELEASE. IF PILOT DOES NOT CONTINUE TO BURN REPEAT STEPS 3 THROUGH 6.
8. WITH PILOT LIT, TURN GAS KNOB COUNTER-CLOCKWISE TO ON.
9. IF EQUIPPED WITH REMOTE ON-OFF SWITCH, MAIN BURNER MAY NOT COME ON WHEN YOU TURN THE VALVE TO ON. REMOTE SWITCH MUST BE IN THE ON POSITION TO IGNITE BURNER.
10. TURN ON ALL ELECTRIC POWER TO THE FIREPLACE.

1. ARRETEZI LISEZ LES INSTRUCTIONS DE SECURITE SUR L'ETIQUETTE DE FONCTIONNEMENT.
2. COUPEZ L'ALIMENTATION ELECTRIQUE AU FOYER.
3. TOURNEZ LE BOUTON DE CONTROLE DU GAZ VERS LA DROITE "A OFF".
4. ATTENDEZ CINQ (5) MINUTES AFIN D'EVACUER TOUT LES GAZ. SI VOUS SENTEZ LE GAZ PRES DU REVETEMENT, ARRETEZI OBSERVEZ L'ITEM "B" SUR L'ETIQUETTE DE FONCTIONNEMENT. SI VOUS NE SENTEZ PAS LE GAZ, CONTINUEZ A L'ETAPE SUIVANTE.
5. LOCALISEZ LA VEILLEUSE DEVANT LA BUCHE ARRIERE.
6. TOURNEZ LE BOUTON DU GAZ VERS LA GAUCHE "A PILOTE".
7. ENFONCEZ ET GARDEZ LE BOUTON DU GAZ ENFONCE PENDANT QUE VOUS ALLUMEZ LA VEILLEUSE EN PRESSANT LE BOUTON-PRESSION. GARDEZ LE BOUTON DU GAZ COMPLETEMENT ENFONCE PENDANT UNE MINUTE ET RE-LACHEZ-LE. SI LA VEILLEUSE NE RESTE PAS ALLUMEE, REPETEZ LES ETAPES DE 3 A 6.
8. LORSQUE LA VEILLEUSE EST ALLUMEE, TOURNEZ LE BOUTON DU GAZ VERS LA GAUCHE "A ON".
9. SI L'APPAREIL EST MUNI D'UNE INTERRUPTEUR OUVERT/FERME A DISTANCE, LE BRULEUR PRINCIPAL PEUT NE PAS S'ALLUMER QUAND VOUS TOURNEZ LA SOUPEPE A OUVERT. L'INTERRUPTEUR A DISTANCE DOIT ETRE EN POSITION OUVERT POUR LE BRULEUR PRINCIPAL S'ALLUMER.
10. RE-ALIMENTEZ L'APPAREIL EN ELECTRICITE.

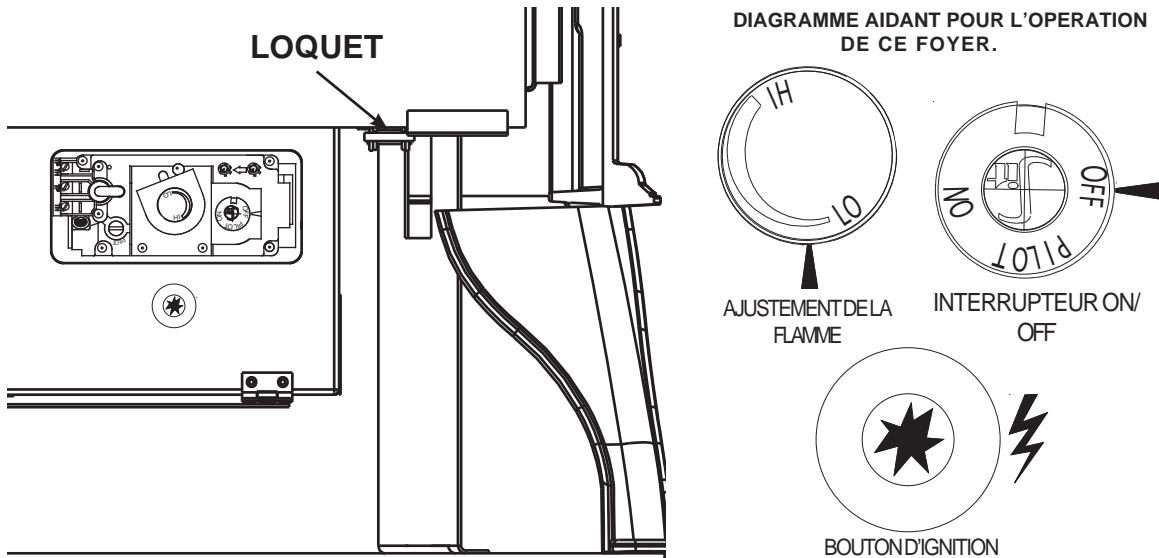
GAS KNOB AT OFF / BOUTON DU GAZ A OFF

PILOT BURNER / VEILLEUSE

TO TURN OFF GAS / COUPER L'ALIMENTATION EN GAZ

1. TURN OFF ALL ELECTRIC POWER TO THE FIREPLACE IF SERVICE IS TO BE PERFORMED.
2. PUSH IN GAS CONTROL KNOB SLIGHTLY AND TURN CLOCKWISE TO OFF. DO NOT FORCE.

1. COUPEZ L'ALIMENTATION ELECTRIQUE AU FOYER SI LE SERVICE EST EFFECTUE.
2. ENFONCEZ LEGEREMENT LE BOUTON DE CONTROLE DU GAZ ET TOURNEZ VERS LA DROITE "A OFF". NE FORCEZ PAS.



10.0 RÉGLAGES

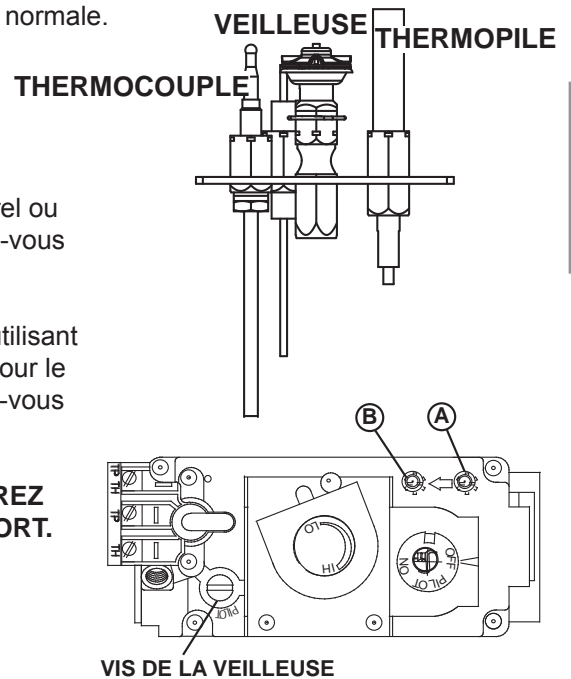
10.1 RÉGLAGE DE LA VEILLEUSE

Ajustez la vis de la veilleuse pour obtenir une flamme de taille normale. Tournez vers la droite pour réduire l'apport de gaz.

Pour vérifier la pression d'arrivée, tournez la vis (A) vers la gauche jusqu'à ce qu'elle soit desserrée, puis emboîtez le tube du manomètre sur la pointe d'essai. Le manomètre doit indiquer 7" (minimum 4,5") de colonne d'eau pour le gaz naturel ou 13" (minimum 11") de colonne d'eau pour le propane. Assurez-vous que le brûleur principal fonctionne à « HI ».

La pression de sortie peut être vérifiée de la même façon en utilisant la vis (B). Le manomètre doit indiquer 3,5" de colonne d'eau pour le gaz naturel ou 10" de colonne d'eau pour le propane. Assurez-vous que le brûleur principal fonctionne à « HI ».

APRÈS AVOIR PRIS LA LECTURE DES PRESSIONS, SERREZ BIEN LES VIS POUR SCELLER. NE SERREZ PAS TROP FORT. VÉRIFIEZ POUR DES FUITES.



VIS DE LA VEILLEUSE

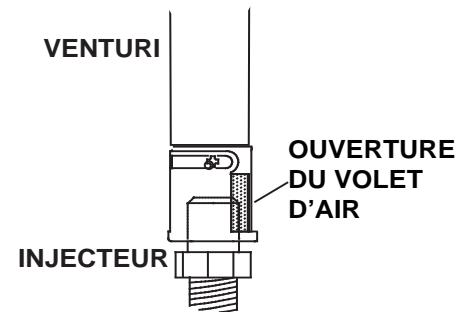
39.3

10.2 RÉGLAGE DU VENTURI

L'ouverture du volet d'air a été pré-réglée en usine selon le tableau ci-dessous :

Indépendamment de l'orientation du venturi, plus le volet est fermé, plus la flamme est jaune et aura tendance à causer des dépôts de carbone. Plus le volet est ouvert, plus la flamme est bleue et plus elle a tendance à se détacher des orifices du brûleur. La flamme peut ne pas être jaune immédiatement; allouez de 15 à 30 minutes pour que la couleur finale de la flamme se stabilise.

LE RÉGLAGE DU VOLET D'AIR DOIT ÊTRE EXÉCUTÉ PAR UN TECHNICIEN OU INSTALLATEUR QUALIFIÉ!

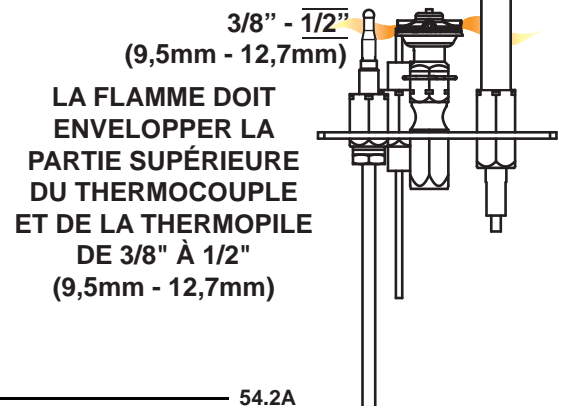
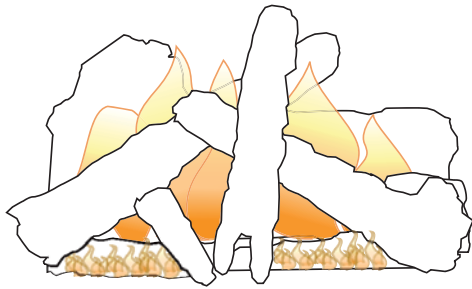


49.1

GDS60-1	
GN	3/8" (9,5mm)
PL	5/16" (7,9mm)

10.3 CARACTÉRISTIQUES DE LA FLAMME

Il est important d'effectuer périodiquement une inspection visuelle de la flamme de la veilleuse et du brûleur. Comparez-les à ces illustrations. Si des flammes paraissent anormales, contactez un technicien de service.



10.4 ÉTRANGLEMENT DES ÉVÉNEMENTS VERTICAUX - MODÈLE GDS60-1

Certaines configurations d'évacuation verticales peuvent avoir une flamme très active. Si cette apparence n'est pas désirée, la sortie du conduit d'évacuation doit être réduite en utilisant une plaque de restriction. Pour obtenir l'ensemble approprié, voir les « ACCESSOIRES » à la section « RECHANGES ». Ceci diminuera la vitesse des gaz de combustion, ralentissant ainsi le mouvement de la flamme et créant une apparence plus traditionnelle. Les instructions sont incluses avec l'ensemble.

77.3

11.0 ENTRETIEN

 AVERTISSEMENT
COUPEZ L'ALIMENTATION EN GAZ ET L'ALIMENTATION ÉLECTRIQUE AVANT DE PROCÉDER À L'ENTRETIEN DE L'APPAREIL.
L'APPAREIL PEUT ÊTRE CHAUD. ATTENDEZ QU'IL SOIT REFROIDI AVANT D'EN FAIRE L'ENTRETIEN.
N'UTILISEZ PAS DE PRODUITS ABRASIFS.
NE PEINTURE PAS L'ASSEMBLAGE DU VEILLEUSE.

FR

ATTENTION : Lors de l'entretien des contrôles, assurez-vous d'identifier chacun des fils avant de les débrancher. Une réinstallation incorrecte des fils peut occasionner un mauvais fonctionnement et être dangereuse. Assurez-vous que l'appareil fonctionne adéquatement une fois l'entretien terminé. Cet appareil et son système d'évacuation devraient être inspectés avant la première utilisation et au moins une fois l'an par un technicien de service qualifié. L'espace entourant l'appareil doit être gardé propre et libre de matériaux combustibles, d'essence ou autres liquides et vapeurs inflammables. Les apports d'air comburant et d'air de convection ne doivent pas être obstrués.

- A. Pour nettoyer le brûleur principal et la veilleuse adéquatement, il faut retirer les bûches, les roches ou la vitre afin de dégager les deux ensembles.
- B. Gardez le compartiment des contrôles, les composants décoratifs, le brûleur, le volet d'air et l'espace entourant les bûches propres en brossant ou en passant l'aspirateur au moins une fois l'an.
- C. Assurez-vous que tous les orifices des brûleurs produisent des flammes. Nettoyez tous les orifices qui n'ont pas de flamme ou dont la flamme ne brûle pas adéquatement.
- D. Assurez-vous que la flamme de la veilleuse est assez puissante pour envelopper la sonde de flamme et/ou le thermocouple/thermopile et qu'elle atteigne le brûleur.
- E. Remettez en place les bûches, les roches ou la vitre nettoyées, si équipé. Omettre de positionner les composants décoratifs adéquatement peut causer des dépôts de carbone qui peuvent se déposer dans des endroits de séjour avoisinants.
- F. Vérifiez si le brûleur principal allume sur tous les orifices lorsque le bouton de contrôle du gaz est à « ON ». Un temps d'allumage total de 5 à 10 secondes est satisfaisant. Si l'allumage prend plus de temps, consultez votre détaillant autorisé.
- G. Vérifiez si les joints d'étanchéité sur les côtés, le haut et le bas de la porte ne sont pas brisés ou manquants. Remplacez si nécessaire.
- H. Si pour une raison quelconque le système d'évents de prise d'air est démonté, réinstallez et rescellez-le selon les instructions fournies dans l'installation initiale.
- I. Il est possible que l'écran de protection (pare-étincelles) nécessite un nettoyage occasionnel en raison des peluches/poussières provenant des tapis, des animaux, etc. il suffit de passer l'aspirateur à l'aide de l'embout avec une brosse.

40.1C



! AVERTISSEMENT

LE CAISSON DEVIENT TRÈS CHAUD LORS DU FONCTIONNEMENT. LAISSEZ L'APPAREIL SE REFROIDIR COMPLÈTEMENT OU PORTEZ DES GANTS ANTICHALEUR AVANT D'EFFECTUER L'ENTRETIEN.

NE JAMAIS ASPIRER DES BRAISES QUI SONT CHAUDES.

NE PEINTUREZ PAS L'ASSEMBLAGE DE LA VEILLEUSE.

- Cet appareil nécessite un entretien qui devra être effectué sur une base annuelle.
- L'entretien devrait inclure un nettoyage, le remplacement des piles, une inspection du système d'évent, du brûleur, des éléments décoratifs internes et de la chambre de combustion. Consultez la section pour l'enlèvement de la porte et retirez la porte comme indiqué.
- Enlevez soigneusement les éléments décoratifs internes s'il y a lieu (bûches, braises de verre, panneaux de brique, etc.)
- À l'aide d'un aspirateur muni d'une brosse souple, aspirez les saletés, les débris et les dépôts de carbone sur les bûches, la chambre de combustion et le brûleur. Pour les braises de verre, suivez les instructions de prénettoyage.
- Enlevez aussi tout dépôt se trouvant sur l'assemblage de la veilleuse et aussi, s'il y a lieu, sur la thermopile, le thermocouple, le capteur de flamme et l'allumeur. **NOTE: Vous devrez possiblement nettoyer le capteur de flamme à l'aide d'un morceau de laine d'acier ou Scotch-Brite™ afin de retirer toute trace d'oxydation. Nettoyez l'assemblage du pilote à l'aide d'un aspirateur muni d'une brosse souple. Il est important de ne pas peindre l'assemblage de la veilleuse.**
- Inspectez tous les joints d'étanchéité accessibles et remplacez-les au besoin.
- Accédez à la soufflerie, s'il y a lieu, puis nettoyez à l'aide d'une brosse souple et d'un aspirateur.
- Réinstallez tous les composants dans l'ordre inverse.
- Inspectez le système de surpression. L'appareil dissipe la pression par la porte vitrée ou par les clapets sur le dessus du caisson. Assurez-vous qu'ils ouvrent sans restriction et qu'ils ferment de façon étanche.

37.1B

11.1 SOINS DE LA VITRE

NE PAS NETTOYER LA VITRE LORSQU'ELLE EST CHAUDE! N'EMPLOYEZ PAS DE DÉTERGENTS ABRASIFS POUR NETTOYER LA VITRE.

Polissez légèrement à l'aide d'un linge propre et sec. Nettoyez les deux côtés de la vitre avec un nettoyeur recommandé après les dix premières heures de fonctionnement. Par la suite, nettoyez aussi souvent qu'il le faudra, sinon la vitre risque de rester marquée en

AVERTISSEMENT

LA VITRE CHAUDE CAUSERA DES BRÛLURES.

NE PAS TOUCHER LA VITRE AVANT QU'ELLE AIT REFROIDI.

NE JAMAIS LAISSER LES ENFANTS TOUCHER LA VITRE.

5.1

L'appareil est muni d'une 4mm vitre en verre trempé. Remplacez uniquement avec une vitre certifiée pour le foyer disponible chez votre détaillant Napoléon. N'UTILISEZ PAS DE MATÉRIAUX SUBSTITUTS.

5.5

12.0 RECHANGES

Contactez votre détaillant ou le fabricant pour les questions concernant les prix et la disponibilité des pièces de rechange. Normalement, toutes les pièces peuvent être commandées chez votre détaillant autorisé.

POUR UN REMPLACEMENT DE PIÈCE SOUS GARANTIE, UNE PHOTOCOPIE DE LA FACTURE ORIGINALE SERA REQUISE AFIN DE POUVOIR HONORER LA DEMANDE.

Lorsque vous commandez des pièces, donnez toujours l'information suivante :

- Modèle et numéro de série de l'appareil
- Date d'installation de l'appareil
- Numéro de la pièce
- Description de la pièce
- Fini

*** IDENTIFIE LES ARTICLES QUI NE SONT PAS ILLUSTRÉS. POUR PLUS D'INFORMATION, CONTACTEZ VOTRE DÉTAILLANT AUTORISÉ.**



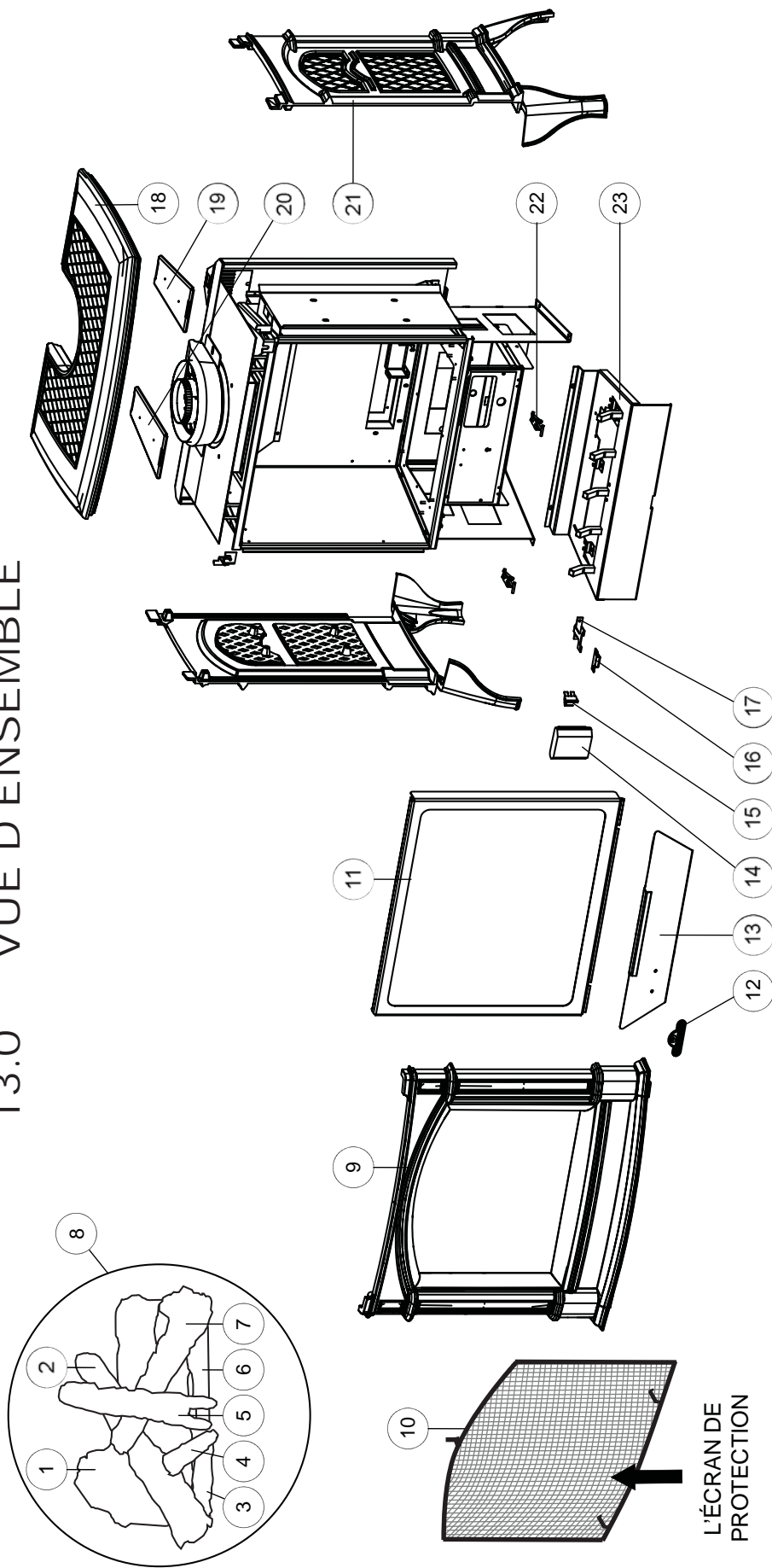
AVERTISSEMENT

OMETTRE DE POSITIONNER LES PIÈCES CONFORMÉMENT AU MANUEL OU D'UTILISER UNIQUEMENT DES PIÈCES SPÉCIFIQUEMENT APPROUVÉES POUR CET APPAREIL PEUT CAUSER DES DOMMAGES MATÉRIELS OU DES BLESSURES CORPORELLES.

FR

41.1

13.0 VUE D'ENSEMBLE

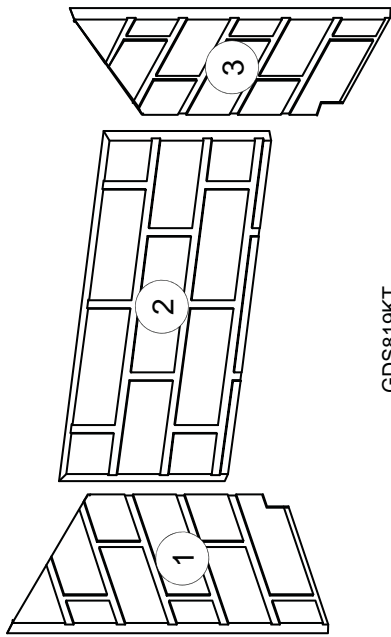


CES ARTICLES PEUT DIFFÉRER DE CELLE ILLUSTRÉ

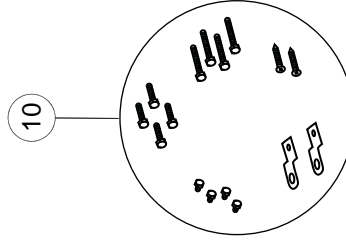
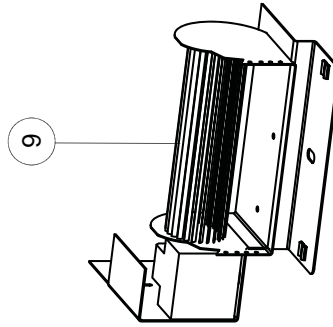
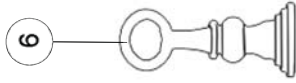
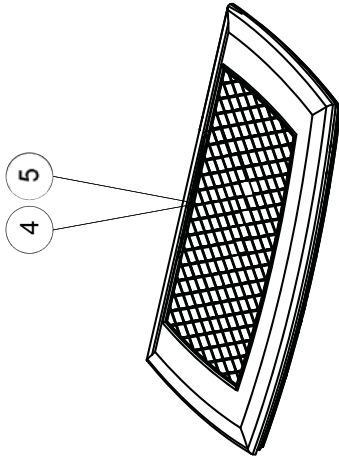
REF. NO.	PART #	DESCRIPTION
13	W010-2114	L'ASSEMBLAGE DU PANNEAU DE CONTRÔLE
14	W350-0342	BOÎTIER DE PILES
15	W660-0009	COMMUTATEUR «ON/OFF»
16	W430-0013	LOQUET DE PORTE AIMANTÉ (2)
17	W080-1009	SUPPORT DE AIMANT
18	W135-0375	DESSUS EN FONTE
19	W010-1596	ASSEMBLAGE DE DÉTENEUR DE PORTE (DROITE)
20	W010-1607	ASSEMBLAGE DE DÉTENEUR DE PORTE (GAUCHE)
21	W135-0377	CÔTE EN FONTE (X2)
22	W390-0001	LOQUET DE PORTE (X2)
23	W010-3074	L'ASSEMBLAGE DU SUPPORT DES BÛCHES

REF. NO.	PART #	DESCRIPTION
1	W135-0209	BÛCHE ARRIÈRE (GL-646)
2	W135-0210	BÛCHE CROISÉ GAUCHE (GL-646)
3	W135-0082	BÛCHE DE CHARBON GAUCHE (GL-646)
4	W135-0211	BÛCHE DE DROITE PETITE (GL-646)
5	W135-0212	BÛCHE DE CROISÉ CENTRALE (GL-646)
6	W135-0182	BÛCHE DE CHARBON DROITE (GL-646)
7	W135-0213	BÛCHE CROISÉ DROITE (GL-646)
8	GL-646	ENSEMBLE DE BÛCHES
9	W135-0376	FAÇADE EN FONTE
10	W010-3296	L'ÉCRAN DE PROTECTION
11	W010-2136	ASSEMBLAGE DE LA PORTE
12	W385-0351	LOGO NAPOLEON

14.0 ACCESSORIES



GDS819KT

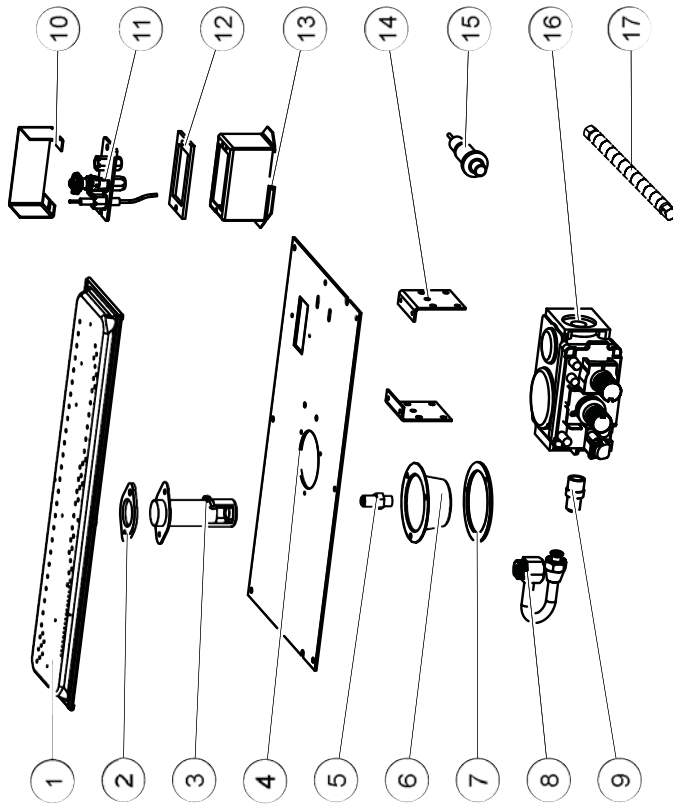


CES ARTICLES PEUT DIFFÉRER DE CELLE ILLUSTRÉ

REF. NO.	PART NO.	DESCRIPTION
1	W475-0433	PANNEAU BRIQUE VICTORIEN (CÔTÉ GAUCHE) (GDS819KT)
2	W475-0431	PANNEAU BRIQUE VICTORIEN (ARRIÈRE) (GDS819KT)
3	W475-0432	PANNEAU BRIQUE VICTORIEN (CÔTÉ DROITE) (GDS819KT)
4	GS831K	TRIVET (NOIR)
5	GS831C	TRIVET (CHROME)

REF. NO.	PART NO.	DESCRIPTION
6	ANI-K	CONTOUR EN FONTE (X2)
7	W660-0081	THERMOSTAT MURAL
8	F45 / F60	TÉLÉCOMMANDE MANUELLE
9	GS-64KT	SOUFFLERIE
10	GDSLL-KT	TROUSSE POUR MISE DE NIVEAU/FIXATION DE L'APPAREIL

15.0 L'ASSEMBLAGE DE LA SOUPE

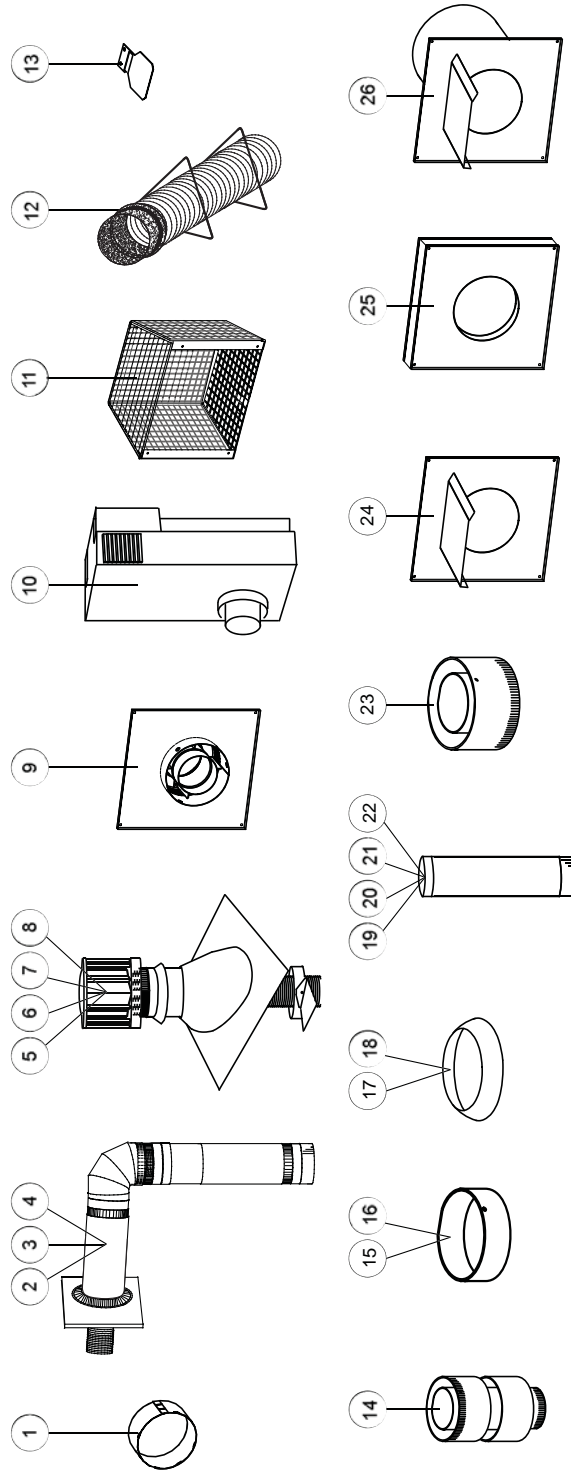


CES ARTICLES PEUT DIFFÉRER DE CELLE ILLUSTRÉ

REF.NO.	PART NO.	DESCRIPTION
1	W100-0071	ASSEMBLAGE DE BRÛLEUR
2	W290-0018	BOÎTIER DU VENTURI
3	W720-0069	VENTURI
4	W035-0289	BASE DU BRÛLEUR
5	W456-0035	INJECTEUR DE VEILLEUSE #35
6	W350-0417	BOÎTIER DU VENTURI
7	W290-0127	JOINT D'ÉTANCHÉITÉ DU BOÎTIER DU VENTURI
8	W432-0062	COLLECTEUR 3/8"
9	W445-0021	CONNECTEUR 3/8"
10	W585-0806	BOUCLEUR DU VEILLEUSE

REF.NO.	PART NO.	DESCRIPTION
11	W010-0798	ASSEMBLAGE DE VEILLEUSE
12	W290-0029	JOINT D'ÉTANCHÉITÉ DU VEILLEUSE
13	W350-0227	BOÎTIER DE VEILLEUSE
14	W080-0261	SUPPORT DU SOUPE
15	W357-0001	D'ALLUMEUR PIEZO
16	W725-0035	SOUPE DU GAZ
17	W175-0227	RACCORD FLEXIBLE
18*	W175-0138	TROUSSE DE CONVERSION (GN-PL)
19*	W175-0139	TROUSSE DE CONVERSION (PL-GN)

16.0 VENTILATION



CES ARTICLES PEUT DIFFÉRER DE CELLE ILLUSTRÉ

REF. NO.	PART NO.	DESCRIPTION	REF. NO.	PART NO.	DESCRIPTION
1	W175-0001	ATTELAGE 4"	14	GS-150KT	ADAPTEUR DES B-ÉVENTS
2	GD-175	ENSEMBLE DE TERMINAISON MURALE	15	W025-0001	BANDE DÉCORATIVE LAITON
3	GD-176	ENSEMBLE D'ÉVENTS (AVEC TERMINALE)	16	W025-0003	BANDE DÉCORATIVE NOIRE
4	GD-180	ENSEMBLE D'ÉVENTS (AVEC GD201 PÉRISCOPEIQUE)	17	BRTC7	COLLET DE FINITION LAITON 7"
5	GD110	TERMINAISON POUR TOIT (1/12 - 7/12 PENTE)	18	BM3730	COLLET DE FINITION NOIR 7"
6	GD111	TERMINAISON POUR TOIT (8/12 - 12/12 PENTE)	19	BM6724	TUYAU (7" x 24")
7	GD112	TERMINAISON POUR TOIT PLAT	20	BM67ADJ	TUYAU (7" x 28" - 54" AJUSTABLE)
8	GD113	TERMINAISON POUR TOIT (AVEC COLLET DE SOLIN)	21	BM6745	TUYAU (7" - 45° COUDE)
9	GD177	ENSEMBLE D'ÉVENTS (AVEC TERMINALE)	22	BM6790	TUYAU (7" - 90° COUDE)
10	GD-201	PÉRISCOPE	23	GDS942N	ADAPTEUR DURAVENT
11	GD-301	PROTECTEUR DE CHALEUR	24	W500-0077	COUPE-FEU / PLAQUE DE PLAFOND
12	W010-0300	GAINÉ FLEXIBLE 4" x 10" (AVEC ESPACEURS)	25	W500-0103	PLAQUE DU EXTENSION DE TERMINALE
13	RP4	PLAQUE DE RESTRICTION 4"	26	AVS47KT	COUPE-FEU / L'ASSEMBLAGE MANCHON DES ÉVENTS

17.0 GUIDE DE DÉPANNAGE

FR

! AVERTISSEMENT

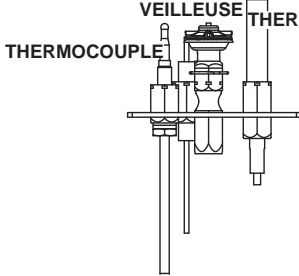
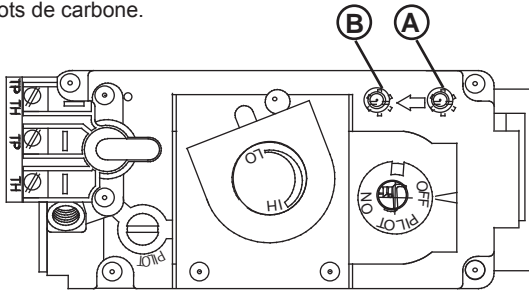
ALLUMEZ TOUJOURS LA VEILLEUSE, QUE CE SOIT POUR LA PREMIÈRE FOIS OU LORSQUE L'APPROVISIONNEMENT EN GAZ EST ÉPUISÉ, AVEC LA PORTE VITRÉE OUVERTE OU RETIRÉE.

COUPEZ L'ALIMENTATION EN GAZ ET L'ALIMENTATION ÉLECTRIQUE AVANT DE PROCÉDER À L'ENTRETIEN DE L'APPAREIL.

L'APPAREIL PEUT ÊTRE CHAUD. N'EFFECTUEZ AUCUN ENTRETIEN JUSQU'À CE QUE L'APPAREIL SOIT REFROIDI.

N'UTILISEZ PAS DE NETTOYANTS ABRASIFS.

SYMPTÔME	PROBLÈME	SOLUTIONS
Le brûleur principal s'éteint; la veilleuse reste allumée.	La flamme de la veilleuse n'est pas assez puissante ou n'enveloppe pas la thermopile.	- Augmentez la flamme de la veilleuse. - Remplacez l'assemblage de la veilleuse.
	La thermopile cause un court-circuit.	- Nettoyez la connexion de la thermopile à la borne de la soupape et reconnectez. - Remplacez la thermopile ou la soupape.
	Le fil de l'interrupteur mural est trop long; trop de résistance dans le système.	- Raccourcissez la longueur du fil ou changez le calibre du fil.
	Le thermostat ou l'interrupteur est défectueux.	- Remplacez.
Le brûleur principal s'éteint; la veilleuse s'éteint.	Référez-vous à « LE BRÛLEUR PRINCIPAL S'ÉTEINT; LA VEILLEUSE RESTE ALLUMÉE ».	
	L'évacuation est bloquée.	- Enlevez ce qui obstrue.
	L'évacuation recircule.	- Vérifiez l'étanchéité des joints et leur installation.
	La gaine flexible n'est plus branchée à l'appareil.	- Rebranchez à l'appareil. - Le couvercle d'évacuation n'a pas été remis en place.
La veilleuse s'éteint quand le bouton du gaz est relâché. La soupape de gaz a un dispositif d'enclenchement qui ne permet à la veilleuse de s'allumer que lorsque le thermocouple est refroidi. Attendez au moins 60 secondes pour permettre au thermocouple de se refroidir.	Le système n'est pas purgé correctement.	- Purgez la conduite de gaz.
	Plus de propane.	- Remplissez le réservoir.
	La flamme de la veilleuse n'est pas assez puissante.	- Augmentez la flamme de la veilleuse.
	La flamme de la veilleuse n'enveloppe pas le thermocouple.	- Tournez légèrement la tête de la veilleuse pour améliorer la flamme autour du thermocouple.
	Le thermocouple cause un court-circuit/est défectueux.	- Desserrez et resserrez le thermocouple. - Nettoyez le thermocouple et la connexion à la borne de la soupape. - Remplacez le thermocouple. - Remplacez la soupape.
La soupape est défectueuse.	- Remplacez la soupape.	
La veilleuse brûle; pas de gaz au brûleur principal; le bouton du gaz est à « HI »; l'interrupteur mural/ thermostat est à « ON ».	Le thermostat ou l'interrupteur sont défectueux.	- Reliez un fil de dérivation entre les bornes de l'interrupteur mural; si le brûleur principal s'allume, remplacez l'interrupteur/thermostat.
	Le raccordement de l'interrupteur est défectueux.	- Débranchez les fils de l'interrupteur et reliez un fil de dérivation entre les bornes 1 et 3; si le brûleur principal s'allume, vérifiez si les fils ne sont pas défectueux ou remplacez les fils.
	L'injecteur du brûleur principal est bloqué.	- Débloquez l'injecteur.
	La soupape est défectueuse.	- Remplacez la soupape.
La veilleuse s'éteint alors qu'elle est en attente; le brûleur principal est à « OFF ».	La conduite de gaz est trop petite.	- Allumez tous les appareils au gaz et vérifiez si la flamme de la veilleuse vacille, diminue ou s'éteint, surtout quand le brûleur principal s'allume. Vérifiez la pression d'alimentation. - Vérifiez si la grosseur de la conduite d'alimentation est conforme aux codes. Remplacez toutes les conduites trop petites.
	La flamme du brûleur principal est bleue, paresseuse et transparente.	Système d'évacuation bloqué. - Enlevez ce qui obstrue. Dans des conditions de froid extrême, une accumulation de glace peut se former sur la terminaison et devrait être enlevée lorsque nécessaire. Pour minimiser les chances que cela survienne de nouveau, il est recommandé que les événements qui passent à travers des espaces non chauffés (greniers, garages, espaces réduits) soient recouverts d'un manchon isolant en mylar. Assurez-vous que le manchon ne puisse pas s'affaisser. Pour plus de renseignements, contactez votre détaillant local autorisé.

SYMPTÔME	PROBLÈME	SOLUTIONS														
La veilleuse ne s'allume pas. 	Aucune étincelle au brûleur de la veilleuse.	<ul style="list-style-type: none"> - Vérifiez si la veilleuse peut être allumée avec une allumette. - Vérifiez si le fil est raccordé au bouton-poussoir d'ignition. - Vérifiez si le bouton-poussoir d'ignition doit être resserré. - Remplacez le fil si son isolant est brisé ou effiloché - Remplacez l'électrode si l'isolateur de céramique est craqué ou brisé. - Remplacez le bouton-poussoir d'ignition. 														
	Plus de propane.	<ul style="list-style-type: none"> - Remplissez le réservoir. 														
	La longueur de l'étincelle est incorrecte.	<ul style="list-style-type: none"> - La longueur de l'étincelle devrait être de 0,150" (3,8mm) à 1,175" (4,5mm) entre la pointe de l'électrode et le brûleur de la veilleuse. Pour que l'électrode soit bien placée, serrez l'écrou avec les doigts et tournez 1/4 de tour de plus.. 														
	Pas de gaz au brûleur de la veilleuse.	<ul style="list-style-type: none"> - Vérifiez si la soupape manuelle est ouverte. - Vérifiez si l'injecteur de la veilleuse est bloqué. - Remplacez la soupape. - Contactez le fournisseur de gaz. 														
Les flammes sont régulièrement trop grandes ou trop petites. Il y a des dépôts de carbone. 	La pression du gaz est trop faible ou trop forte.	<ul style="list-style-type: none"> - Vérifiez la pression: - Pour vérifier la pression d'arrivée, tournez deux ou trois fois la vis (A) vers a gauche, puis emboîtez le tube du manomètre sur la pointe d'essai. Le manomètre doit indiquer la pression comme décrit sur le diagramme ci-dessous. Assurez-vous que le brûleur principal fonctionne à 'HI'. - La pression de sortie peut être vérifiée de la même façon en utilisant la vis(B). Le manomètre doit indiquer la pression comme décrit sur le diagramme ci-dessous. Assurez-vous que le brûleur principal fonctionne à 'HI'. - APRÈS AVOIR PRIS LA LECTURE DES PRESSIONS, ASSUREZ-VOUS DE TOURNER FERMEMENT LA VIS VERS LA DROITE POUR SCELLER NE SERREZ PAS TROP FORT. - Vérifiez pour des fuites en appliquant une solution d'eau savonneuse. 														
		<table border="1"> <thead> <tr> <th>Pression</th> <th>Gaz Naturel (pouces)</th> <th>Gaz Naturel (millibars)</th> <th>Propane (pouces)</th> <th>Propane (millibars)</th> </tr> </thead> <tbody> <tr> <td>Arrivée</td> <td>7" (min.4,5")</td> <td>17,4 mb (min.11,2mb)</td> <td>13" (min.11")</td> <td>32,4 mb (min.27,4mb)</td> </tr> <tr> <td>Sortie</td> <td>3,5"</td> <td>8,7 mb</td> <td>10"</td> <td>24,9 mb</td> </tr> </tbody> </table>	Pression	Gaz Naturel (pouces)	Gaz Naturel (millibars)	Propane (pouces)	Propane (millibars)	Arrivée	7" (min.4,5")	17,4 mb (min.11,2mb)	13" (min.11")	32,4 mb (min.27,4mb)	Sortie	3,5"	8,7 mb	10"
Pression	Gaz Naturel (pouces)	Gaz Naturel (millibars)	Propane (pouces)	Propane (millibars)												
Arrivée	7" (min.4,5")	17,4 mb (min.11,2mb)	13" (min.11")	32,4 mb (min.27,4mb)												
Sortie	3,5"	8,7 mb	10"	24,9 mb												
Les flammes sont très actives.	La porte est entrouverte.	<ul style="list-style-type: none"> - Serrez les vis qui retiennent la porte en place. 														
	Forte action de ventilation.	<ul style="list-style-type: none"> - Assurez-vous que l'évacuation est adéquatement scellée. - Si aucune plaque de restriction n'est fournie avec l'appareil, étranglez la sortie de l'évacuation avec la plaque de restriction listée à la section 'ACCESSOIRES'. 														
Du carbone se dépose sur la vitre les bûches ou les parois de la chambre de combustion.	Le volet d'air est bloqué.	<ul style="list-style-type: none"> - Assurez-vous que l'ouverture du volet d'air n'est pas bloquée par des fibres ou autres obstructions. 														
		<ul style="list-style-type: none"> - Vérifiez si les bûches sont positionnées correctement. - Augmentez l'ouverture du volet d'air pour augmenter le volume d'air primaire. - Vérifiez le débit d'alimentation: vérifiez que la pression du collecteur et la grandeur de l'injecteur sont telles que spécifiées sur la plaque d'homologation. - Vérifiez si les joints de la porte ne sont pas brisés ou manquants et qu'ils sont étanches. - Vérifiez si les deux conduits d'évent ne sont pas troués et qu'ils sont bien scellés à tous les joints. - Vérifiez si l'élévation minimale par pied (mètre) est conforme pour toute évacuation horizontale. 														

SYMPTÔME	PROBLÈME	SOLUTIONS
Une pellicule blanche ou grise se forme.	Le souffre du combustible se dépose sur la vitre, les bûches ou les parois de la chambre de combustion.	<ul style="list-style-type: none"> - Nettoyez la vitre avec un nettoyeur recommandé. - NE PAS NETTOYER LORSQU'ELLE EST CHAUDE. - Si vous ne nettoyez pas les dépôts régulièrement, la vitre risque de rester marquée en permanence.
On détecte l'odeur des gaz de combustion dans la pièce; maux de tête.	L'appareil refoule les gaz de combustion dans la pièce.	<ul style="list-style-type: none"> - Assurez-vous de l'étanchéité de la buse d'évacuation amovible. - Vérifiez tous les joints scellés et la plaque d'expansion. - Vérifiez si la cheminée ne serait pas bloquée. - Vérifiez si la cheminée est installée selon les codes du bâtiment. - La pièce est sous pression négative; augmentez l'apport d'air frais. - Vérifiez le joint d'étanchéité du couvercle d'évacuation.
L'interrupteur mural est à « OFF » ; le brûleur principal s'allume lorsque le bouton du gaz est tourné à « ON ».	L'interrupteur mural est raccordé à l'envers.	- Raccordez à l'endroit.
	L'interrupteur mural cause un court-circuit.	- Remplacez.
	Le fil de l'interrupteur mural cause un court-circuit.	- Vérifiez si le fil est bien mis à la terre; réparez ou remplacez le fil.
	Soupape défectueuse.	- Remplacez.
42.3_3		
Le brûleur principal et la veilleuse s'allument et s'éteignent de façon cyclique.	L'interrupteur d'écoulement coupe le circuit.	<ul style="list-style-type: none"> - Testez avec l'interrupteur d'écoulement contourné. - Remplacez-le s'il est défectueux. - Enlevez ce qui obstrue.

18.0 GARANTIE

Les produits Napoléon® sont fabriqués conformément aux normes strictes du Certificat d'Assurance de la Qualité mondialement reconnu ISO 9001 : 2008.

Les produits Napoléon® sont conçus avec des composants et des matériaux de qualité supérieure, assemblés par des artisans qualifiés qui sont fiers de leur travail. Le brûleur et le montage de la soupape subissent un test de détection de fuite et d'allumage à une station de test de qualité. Une fois assemblé, chaque appareil est soigneusement inspecté par un technicien qualifié avant d'être emballé pour garantir que vous, le client, recevez le produit de qualité dont vous vous attendez de Napoléon®.

GARANTIE À VIE LIMITÉE DU PRÉSIDENT DES APPAREILS AU GAZ NAPOLÉON®

Les matériaux suivants et la fabrication de votre nouveau appareil au gaz Napoléon® sont garantis contre les défauts tant que vous en êtes le propriétaire. Ceci couvre : la chambre de combustion, l'échangeur de chaleur, le brûleur en acier inoxydable, les bûches PHAZER® et les braises, les roches, la vitre en céramique (cassure thermique seulement), les pièces plaquées or contre le ternissement, les composants en porcelaine émaillée et les moules d'extrusion en aluminium.*

Les composants électriques (110V et millivolt) et les pièces soumises à l'usure tels que les souffleries, les soupapes de gaz, l'interrupteur thermique, les interrupteurs, l'installation électrique, les télécommandes, l'allumeur, les joints d'étanchéité et l'assemblage de la veilleuse sont couverts et NAPOLÉON® fournira gratuitement les pièces de rechange durant la première année de la garantie limitée.*

Les coûts de main-d'oeuvre relatifs aux réparations garanties sont couverts gratuitement durant la première année. Cependant, les travaux de réparation nécessitent l'approbation préalable d'un représentant autorisé de la compagnie. Les coûts de main-d'oeuvre à la charge de Napoléon® sont basés sur un programme de tarifs prédéterminé et tout travail de réparation doit être accompli par l'entremise d'un représentant autorisé Napoléon®.

* La fabrication de chaque modèle varie. La garantie s'applique uniquement aux composants disponibles avec votre appareil.

FR

CONDITIONS ET LIMITATIONS

NAPOLÉON® garantit ses produits contre les défauts de fabrication à l'acheteur d'origine seulement. L'enregistrement de la garantie n'est pas nécessaire. Fournissez simplement une preuve d'achat ainsi que le modèle et le numéro de série afin d'effectuer une réclamation de garantie. Napoléon® se réserve le droit de demander à son représentant d'inspecter tous produits ou pièces avant d'honorer toute réclamation. L'achat doit avoir été fait par l'entremise d'un détaillant NAPOLÉON® autorisé et sous réserve des conditions et limitations suivantes :

La couverture de la garantie débute à partir de la date d'installation originale.

Cette garantie du fabricant n'est pas transférable et ne peut être prolongée ou étendue par aucun de nos représentants quelle qu'en soit la raison.

L'appareil au gaz doit être installé par un installateur ou entrepreneur qualifié. L'installation doit être faite conformément aux instructions d'installation incluses avec le produit et à tous les codes d'incendie et de construction locaux et nationaux.

Cette garantie limitée ne couvre pas les dommages causés par un mauvais usage, un manque d'entretien, un accident, des altérations, des abus ou de la négligence et l'installation de pièces d'autres fabricants annulera cette garantie.

Cette garantie limitée ne couvre pas non plus les égratignures, les bossellements, la corrosion ou la décoloration causés par une chaleur excessive, des produits d'entretien chimiques et abrasifs ou l'écaillage des pièces en porcelaine émaillée, le bris par manipulation des bûches PHAZER® et des braises.

NAPOLÉON® garantit à vie ses brûleurs en acier inoxydable contre les défauts de fabrication et de matériau sous réserve des conditions suivantes :

durant les dix premières années, NAPOLÉON® remplacera ou réparera selon notre option les pièces défectueuses gratuitement. Après les dix premières années, NAPOLÉON® fournira les brûleurs de rechange à 50 % du prix de détail courant.

Au cours de la première année seulement, cette garantie s'applique à la réparation ou au remplacement des pièces garanties dont les matériaux ou la fabrication sont défectueux à la condition que le produit ait été utilisé conformément aux instructions de fonctionnement et dans des conditions normales.

Après la première année, concernant cette Garantie à Vie Limitée du Président, NAPOLÉON® peut, à sa discrétion, se libérer entièrement de toutes obligations en ce qui concerne cette garantie en remboursant à l'acheteur d'origine le prix de gros de toute pièce garantie qui est défectueuse.

NAPOLÉON® ne sera pas responsable de l'installation, de la main-d'oeuvre ou autres dépenses relatives à la réinstallation d'une pièce garantie et de telles dépenses ne sont pas couvertes par cette garantie.

Nonobstant toutes les dispositions contenues dans cette Garantie à Vie Limitée du Président, la responsabilité de NAPOLÉON® sous cette garantie est définie comme ci-dessus et elle ne s'appliquera à aucun dommage accidentel, consécutif ou indirect.

Cette garantie définit l'obligation et la responsabilité de NAPOLÉON® en ce qui concerne l'appareil au gaz Napoléon®. Toute autre garantie énoncée ou implicite en ce qui concerne ce produit, ses composants ou accessoires est exclue.

NAPOLÉON® n'endosse ni n'autorise aucun tiers à assumer en son nom, toute autre responsabilité concernant la vente de ce produit. NAPOLÉON® ne sera pas responsable d'une surchauffe, des refoulements, des déversements causés par des conditions environnementales telles que des toits, des bâtiments, la proximité d'arbres, de collines, de montagnes, une ventilation ou des événements inadéquats, une configuration d'évacuation excessive, un apport d'air insuffisant ou des pressions négatives qui peuvent ou non être causés par des systèmes mécaniques tels que les ventilateurs d'évacuation, les fournaies, les sècheuses de linge, etc.

Tout dommage causé à l'appareil, à la chambre de combustion, à l'échangeur de chaleur, aux garnitures plaquées ou autres composants par l'eau, les dommages causés par les intempéries, de longues périodes d'humidité, la condensation, des produits chimiques ou produits d'entretien nuisibles ne seront pas la responsabilité de NAPOLÉON®.

Toutes les pièces remplacées en vertu de la politique de Garantie à vie limitée du Président ne peuvent faire l'objet que d'une seule réclamation.

Durant les dix premières années, NAPOLÉON® remplacera ou réparera les pièces défectueuses qui sont couvertes par la garantie à vie limitée à sa discrétion gratuitement. Après les dix premières années, NAPOLÉON® fournira les pièces de rechange à 50 % du prix de détail courant.

Toutes les pièces remplacées au titre de la garantie seront couvertes pour une période de 90 jours à partir de leur date d'installation.

Le fabricant peut exiger que les pièces défectueuses ou les produits soient retournés ou que des photos numériques soient fournies pour valider la réclamation. Les produits retournés doivent être expédiés port payé au fabricant pour une inspection en usine. Si un produit est déclaré défectueux, le fabricant le réparera ou le remplacera.

Avant d'expédier votre appareil ou les pièces défectueuses, votre détaillant doit obtenir un numéro d'autorisation. Toute marchandise expédiée à notre usine sans autorisation sera refusée et retournée à l'expéditeur.

Les coûts d'expédition ne sont pas couverts par cette garantie.

Des frais de service supplémentaires peuvent être appliqués si vous cherchez à obtenir des services au titre de la garantie auprès d'un détaillant. Les indemnités de main-d'oeuvre au titre de la garantie s'appliquent uniquement pour le remplacement d'une pièce garantie. Les frais de déplacement, de tests de diagnostic, d'expédition et autres frais afférents ne sont pas couverts par cette garantie.

TOUTES LES SPÉCIFICATIONS ET LES CONCEPTIONS SONT SUJETTES À MODIFICATIONS SANS PRÉAVIS EN RAISON DES AMÉLIORATIONS CONSTANTES APPORTÉES AUX PRODUITS. NAPOLÉON® EST UNE MARQUE DE COMMERCE DÉPOSÉE DE WOLF STEEL LTÉE.

COMME EXIGÉ PAR LE MINISTÈRE DE L'ÉNERGIE AUX ETATS-UNIS, 10 CFR SÉPARE 430, LA GARANTIE EST VIDE SI CE PRODUIT EST UTILISÉ AVEC UN THERMOSTAT. CECI S'APPLIQUE AU PRODUIT SEULEMENT INSTALLÉ AUX ETATS-UNIS.

2.1C

Autres produits Napoléon®



Foyers encastrés • Grills au charbon de bois • Foyers au gaz • Cascades d'eau
Poêles à bois • Produits HVAC • Foyers électriques • Foyers extérieurs • Grills à gaz de qualité



7200, Route Transcanadienne, Montréal, Québec H4T 1A3
24 Napoleon Road, Barrie, Ontario, Canada L4M 0G8
214 Bayview Drive, Barrie, Ontario, Canada L4N 4Y8
103 Miller Drive, Crittenden, Kentucky, USA 41030

Foyers / Chauffage et Climatisation / Grills composez : 514-737-6294
napoleonproducts.com