



Regency Horizon™ HZ54E Gas Fireplace

Owners & Installation Manual

MODELS: HZ54E-NG1 Natural Gas
HZ54E-LP1 Propane



www.regency-fire.com

Horizon HZ54E Product Video

WARNING:

If the information in these instructions are not followed exactly, a fire or explosion may result causing property damage, personal injury or loss of life.

FOR YOUR SAFETY

Do not store or use gasoline or other flammable vapors and liquids in the vicinity of this or any other appliance.

Installation and service must be performed by a qualified installer, service agency or the gas supplier.

FOR YOUR SAFETY

What to do if you smell gas:

- Do not try to light any appliance
- Do not touch any electrical switch: do not use any phone in your building.
- Immediately call your gas supplier from a neighbour's phone. Follow the gas supplier's instructions.
- If you cannot reach your gas supplier, call the fire department.

Tested by:



Installer: Please complete the details on the back cover and leave this manual with the homeowner.

Homeowner: Please keep these instructions for future reference.

To the New Owner:

Congratulations!

You are the owner of a state-of-the-art Gas Fireplace by REGENCY®. The HZ54E has been designed to provide you with all the warmth and charm of a wood fireplace at the flick of a switch. The model HZ54E has been approved by Warnock Hersey/Intertek for both safety and efficiency. As it also bears our own mark, it promises to provide you with economy, comfort and security for many trouble free years to follow. Please take a moment now to acquaint yourself with these instructions and the many features of your Regency® Fireplace.



WARNING!



**HOT GLASS WILL
CAUSE BURNS**

**DO NOT TOUCH GLASS
UNTIL COOLED**

**NEVER ALLOW CHILDREN
TO TOUCH GLASS**



*Regency Horizon
Gas Inserts Benefits Video*



Horizon HZ54 Product Video



**NATIONAL
FIREPLACE
INSTITUTE**
NFI
CERTIFIED
www.nficertified.org

We recommend that our products be installed and serviced by professionals who are certified in the U.S. by the National Fireplace Institute® (NFI) or in Canada by Wood Energy Technical Training (WETT).



*Wood Energy
Technical Training*



XXXXXXXXXX

MANUFACTURED MOBILE HOME REQUIREMENTS

INFORMATION FOR MOBILE/MANUFACTURED HOMES AFTER FIRST SALE

This Regency® product has been tested and listed by Warnock Hersey/Intertek as a Direct Vent Wall Furnace to the following standards: VENTED GAS FIREPLACE HEATERS ANSI Z21.88-2009 / CSA 2.33-2009 and GAS-FIRED APPLIANCES FOR USE AT HIGH ALTITUDES CAN / CGA 2.17-M91.

This appliance may only be installed in an aftermarket permanently located, manufactured (U.S.A only) or mobile home, where not prohibited by local codes.

This Direct Vent System Appliance must be installed in accordance with the manufacturer's installation instructions and the Manufactured Home Construction and Safety Standard, Title 24 CFR, Part 3280, or the current Standard of Fire Safety Criteria for Manufactured Home Installations, Sites, and Communities ANSI/NFPA 501A, and with CAN/CSA Z240-MH Mobile Home Standard in Canada.

This appliance installation must comply with the manufacturer's installation instructions and local codes, if any. In the absence of local codes follow the current National Fuel Gas Code, ANSI Z223.1 and the current National Electrical Code ANSI/NFPA 70 in the U.S.A., and the current CAN/CGA B149 Gas Installation Code and the current Canadian Electrical Code CSA C22.1 in Canada.

This appliance comes equipped with a dedicated #8 Ground Lug for attachment of the ground wire to the steel chassis as applicable to local codes.

The appliance, when installed, must be electrically grounded in accordance with local codes or, in the absence of local codes, with the National Electrical Code, ANSI/NFPA 70, or the Canadian Electrical Code, CSA C22.1.

This appliance can only be used with the type of gas indicated on the rating plate.
This appliance is not convertible for use with other gases.

Ensure that structural members are not cut or weakened during installation.

This appliance may be installed as an OEM installation in a manufactured home (USA only) or mobile home and must be installed in accordance with the manufacturer's instruction and the *Manufactured Home Construction and Safety Standard, Title 24 CFR, Part 3280*, in the United States, or the Standard for Installation in Mobile Homes, *CAN/CSA Z240 MH*, in Canada.

TABLE OF CONTENTS

SAFETY LABEL

| | |
|---------------------------|---|
| Copy of Safety Decal..... | 5 |
|---------------------------|---|

REQUIREMENTS

| | |
|----------------------------|---|
| MA Code - CO Detector..... | 6 |
|----------------------------|---|

DIMENSIONS

| | |
|-----------------------|---|
| Unit Dimensions | 7 |
|-----------------------|---|

INSTALLATION

| | |
|--|----|
| Faceplate & Door frame overlay Dimensions | 7 |
| Important Message | 8 |
| Before You Start | 8 |
| General Safety Information..... | 8 |
| Installation Checklist..... | 9 |
| Locating Your Gas Fireplace | 9 |
| Heatwave Duct System | 9 |
| Heat Release kit | 9 |
| Clearances | 10 |
| Non-Combustible Requirements | 10 |
| Non combustible facing board..... | 11 |
| Non combustible facing installation | 11 |
| Mantel Clearances..... | 12 |
| Mantel Leg Clearances..... | 12 |
| Framing & Finishing..... | 13 |
| Unit Assembly Prior To Installation | 15 |
| Standoff Assembly | 15 |
| Nailing Strips..... | 15 |
| Venting Introduction..... | 15 |
| Vent Restrictor Position | 16 |
| Exterior Vent Termination Requirements | 17 |
| Venting Arrangements | 18 |
| Horizontal Termination (Flex)..... | 18 |
| Rigid Pipe Venting Systems | 19 |
| Basic Horizontal & Vertical Terminations | 19 |
| 5" x 8" Rigid Pipe Cross Reference Chart | 20 |
| Venting Arrangements | 22 |
| Allowable Horizontal Terminations for HZ54E-ng | 22 |
| Venting Arrangements | 22 |
| Allowable Horizontal Terminations for HZ54E-lp | 22 |
| Venting Arrangements | 25 |
| Allowable Vertical Terminations for HZ54E-ng..... | 25 |
| Venting Arrangements | 26 |
| Allowable Vertical Terminations for HZ54E-lp..... | 26 |
| Unit Installation with Horizontal Termination..... | 27 |
| Unit Installation with Vertical Termination | 28 |
| Unit Installation | 29 |
| Horizontal Termination | 29 |
| with Flex Vent System | 29 |

| | |
|---|----|
| High Elevation | 30 |
| Gas Line Installation | 30 |
| Pilot Adjustment..... | 30 |
| Gas Pipe Pressure Testing | 30 |
| 886 S.I.T. Valve Description..... | 30 |
| Valve cover removal | 31 |
| Aeration Adjustment | 32 |
| Wiring Diagram..... | 32 |
| AC power adaptor installation (for surefire systems)... | 33 |
| Proflame system GTMF with optional fan..... | 34 |
| Optional fan Wiring Diagram | 35 |
| Without ProFlame GTMF system | 35 |
| Optional Wall Thermostat | 36 |
| Optional Remote Control..... | 36 |
| Wall Switch | 36 |
| Battery & on off switch installation | 38 |
| GT remote installation | 39 |
| GTM remote installation | 40 |
| GTMF remote installation | 42 |
| Optional Reflective Panel Installation | 44 |
| Glass Crystals or optional stones Installation..... | 45 |
| Optional Driftwood Log set Installation..... | 47 |
| Optional Log set Installation | 49 |
| Faceplate & Door frame overlay Installation..... | 52 |
| Optional fan installation | 54 |

OPERATING INSTRUCTIONS

| | |
|---|----|
| Operating Instructions | 57 |
| First Fire | 57 |
| Lighting Procedure | 57 |
| Shutdown Procedure..... | 57 |
| Normal Operating Sounds of Gas Appliances | 57 |
| Copy of Lighting Plate Instructions | 58 |

MAINTENANCE

| | |
|--------------------------------|----|
| Maintenance Instructions..... | 59 |
| General Vent Maintenance | 59 |
| Glass Gasket..... | 59 |
| Glass Door..... | 59 |
| Glass Replacement | 59 |
| Glass Door Removal | 60 |
| Valve Tray Replacement..... | 61 |
| HZ54E-NG unit..... | 62 |
| HZ54E-LP unit..... | 63 |

PARTS LIST

| | |
|---------------------|----|
| Main Assembly | 64 |
| Accessories | 65 |

WARRANTY

| | |
|--------------------------------------|----|
| The Warranty: Limited Lifetime | 67 |
|--------------------------------------|----|

This is a copy of the label that accompanies each HZ54E-NG and HZ54E-LP Direct Vent Gas Fireplace. We have printed a copy of the contents here for your review.

NOTE: Regency® units are constantly being improved. Check the label on the unit and if there is a difference, the label on the unit is the correct one.

COPY OF SAFETY DECAL

Duplicate S/N

363



Listed: VENTED GAS FIREPLACE HEATER / FOYER AU GAZ À ÉVACUATION
Certified for/Certifiée pour: CANADA and U.S.A.
Tested to: CAN/CGA-2.17-M91, ANSI Z21.88a-2007/CSA 2.33a-2007
 4001172
MAY BE INSTALLED IN MANUFACTURED (MOBILE) HOMES AFTER FIRST SALE.

DO NOT REMOVE THIS LABEL / NE PAS ENLEVER CETTE ÉTIQUETTE



Serial No./ No de serie

363

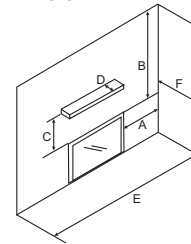
NATURAL GAS: Model HZ54E-NG1

| | | |
|---------------------------|--------------|------------|
| Min. Supply Pressure | 5" WC | (1.25 kpa) |
| Low Setting Man. Pressure | 1.6" WC | (0.40 kpa) |
| Max. Manifold Pressure | 3.5" WC | (0.87 kpa) |
| Orifice Size | #30DMS | |
| Minimum Input | 29,000 Btu/h | (8.50 kW) |
| Maximum Input | 41,500 Btu/h | (12.16 kW) |
| Altitude | 0-4500 ft/pi | (0-1372 m) |

**APPAREIL FONCTIONNANT AU NATURAL GAS
 CONCU POUR CET POELE: Modèle HZ54E-NG1**

| | |
|---|--|
| Pression d'alimentation minimum | |
| Pression à la tubulure d'échappement élevée | |
| Pression à la tubulure d'échappement basse | |
| Grandeur de l'injecteur | |
| Débit Calorifique minimum selon l'altitude | |
| Débit Calorifique maximum selon l'altitude | |

**Minimum Clearances to Combustibles /
 Degagement Minimum De Matériaux Combustibles**



| | |
|---------------------------|------------------|
| Side Walls | |
| A | 4" (102mm) |
| Ceiling | |
| B | 40-7/8" (1038mm) |
| Min. Mantel Height | |
| C | 20" (508mm) |
| Max. Mantel Depth | |
| D | 13" (330mm) |
| Alcove Width | |
| E | 83" (2108mm) |
| Alcove Depth | |
| F | 36" (914mm) |

DOOR SEAL: Please check that the door is properly sealed

(See Instruction Manual for detailed instructions)

FPI Fireplace Products International Ltd. Delta, BC, Canada

PROPANE GAS: Model HZ54E-LP1

| | | |
|---------------------------|--------------|------------|
| Min. Supply Pressure | 12" WC | (2.98 kpa) |
| Low Setting Man. Pressure | 6.4" WC | (1.59 kpa) |
| Max. Manifold Pressure | 10" WC | (2.49 kpa) |
| Orifice Size | #49 DMS | |
| Minimum Input | 30,000 Btu/h | (8.79 kW) |
| Maximum Input | 37,000 Btu/h | (10.84 kW) |
| Altitude | 0-4500 ft/pi | (0-1372 m) |

**ÉQUIPÉ A L'USINE POUR GAZ PROPANE
 CONCU POUR CET POELE: Modèle HZ54E-LP1**

| | |
|---|--|
| Pression d'alimentation minimum | |
| Pression à la tubulure d'échappement élevée | |
| Pression à la tubulure d'échappement basse | |
| Grandeur de l'injecteur | |
| Débit Calorifique minimum selon l'altitude | |
| Débit Calorifique maximum selon l'altitude | |

This appliance must be installed in accordance with local codes, if any; if none, follow the National Fuel Gas Code, ANSI Z223.1, or Natural Gas and Propane Installation Code, CSA B149.1. This appliance must be installed in accordance with the Standard CAN/CSA Z240 MH, Mobile Housing, in Canada, or with the Manufactured Home Construction and Safety Standard, Title 24 CFR, Part 3280, in the United States, or when such a standard is not applicable, ANSI/NCSCS A225.1/NFPA 501A, Manufactured Home Installations Standard or ANSI A119.2 ou NFPA 501C Standard for Recreational Vehicles. This appliance is only for use with the type of gas indicated on the rating plate and may be installed in an aftermarket, permanently located, manufactured (mobile) home where not prohibited by local codes. See owner's manual for details.

Installer l'appareil selon les codes ou règlements locaux, ou, en l'absence de tels règlements, selon les codes d'installation ANSI Z223.1, National Fuel Gas Code ou CSA-B149.1 en vigueur. Installer l'appareil selon la norme CAN/CSA-Z240, Série MM, Maison mobiles ou CAN/CSA-Z240 VC, Véhicules de camping, ou la norme 24 CFR Part 3280, Manufactured Home Construction and Safety Standard. Si ces normes ne sont pas pertinentes, utilisez la norme ANSI/NCSCS A225.1/NFPA 501A, Manufactured Home Installations Standard, ou ANSI A119.2 ou NFPA 501C Standard for Recreational Vehicles.

Cet appareil doit être utilisé uniquement avec le type de gaz indiqué sur la plaque signalétique. Cet appareil peut être installé dans une maison préfabriquée ou mobile (É.-U. seulement) installée à demeure si les règlements locaux le permettent. Voir la notice de l'utilisateur pour plus de renseignements.

This vented gas fireplace heater is not for use with air filters.

Ne pas utiliser de filtre à air avec ce foyer au gaz à évacuation.

FOR USE WITH GLASS DOORS CERTIFIED WITH THE APPLIANCE ONLY

POUR UTILISATION UNIQUEMENT AVEC LES PORTES EN VERRE CERTIFIÉES AVEC L'APPAREIL

NOT FOR USE WITH SOLID FUEL. / NE PAS UTILISER AVEC DU COMBUSTIBLE SOLIDE.

Made in Canada/ Fabriqué au Canada

919-268

For the State of Massachusetts, installation and repair must be done by a plumber or gasfitter licensed in the Commonwealth of Massachusetts.

For the State of Massachusetts, flexible connectors shall not exceed 36 inches in length.

For the State of Massachusetts, the appliances individual manual shut-off must be a t-handle type valve.

The State of Massachusetts requires the installation of a carbon monoxide alarm in accordance with NFPA 720 and a CO alarm with battery back up in the same room where the gas appliance is installed.

MA Code - CO Detector (for the State of Massachusetts only)

5.08: Modifications to NFPA-54, Chapter 10

(2) Revise 10.8.3 by adding the following additional requirements:

(a) For all side wall horizontally vented gas fueled equipment installed in every dwelling, building or structure used in whole or in part for residential purposes, including those owned or operated by the Commonwealth and where the side wall exhaust vent termination is less than seven (7) feet above finished grade in the area of the venting, including but not limited to decks and porches, the following requirements shall be satisfied:

1. **INSTALLATION OF CARBON MONOXIDE DETECTORS.** At the time of installation of the side wall horizontal vented gas fueled equipment, the installing plumber or gasfitter shall observe that a hard wired carbon monoxide detector with an alarm and battery back-up is installed on the floor level where the gas equipment is to be installed. In addition, the installing plumber or gasfitter shall observe that a battery operated or hard wired carbon monoxide detector with an alarm is installed on each additional level of the dwelling, building or structure served by the side wall horizontal vented gas fueled equipment. It shall be the responsibility of the property owner to secure the services of qualified licensed professionals for the installation of hard wired carbon monoxide detectors

a. In the event that the side wall horizontally vented gas fueled equipment is installed in a crawl space or an attic, the hard wired carbon monoxide detector with alarm and battery back-up may be installed on the next adjacent floor level.

b. In the event that the requirements of this subdivision can not be met at the time of completion of installation, the owner shall have a period of thirty (30) days to comply with the above requirements; provided, however, that during said thirty (30) day period, a battery operated carbon monoxide detector with an alarm shall be installed.

2. **APPROVED CARBON MONOXIDE DETECTORS.** Each carbon monoxide detector as required in accordance with the above provisions shall comply with NFPA 720 and be ANSI/UL 2034 listed and IAS certified.

3. **SIGNAGE.** A metal or plastic identification plate shall be permanently mounted to the exterior of the building at a minimum height of eight (8) feet above grade directly in line with the exhaust vent terminal for the horizontally vented gas fueled heating appliance or equipment. The sign shall read, in print size no less than one-half (1/2) inch in size, "**GAS VENT DIRECTLY BELOW. KEEP CLEAR OF ALL OBSTRUCTIONS**".

4. **INSPECTION.** The state or local gas inspector of the side wall horizontally vented gas fueled equipment shall not approve the installation unless, upon inspection, the inspector observes carbon monoxide detectors and signage installed in accordance with the provisions of 248 CMR 5.08(2)(a)1 through 4.

(b) **EXEMPTIONS:** The following equipment is exempt from 248 CMR 5.08(2)(a)1 through 4:

1. The equipment listed in Chapter 10 entitled "Equipment Not Required To Be Vented" in the most current edition of NFPA 54 as adopted by the Board; and

2. Product Approved side wall horizontally vented gas fueled equipment installed in a room or structure separate from the dwelling, building or structure used in whole or in part for residential purposes.

(c) **MANUFACTURER REQUIREMENTS - GAS EQUIPMENT VENTING SYSTEM PROVIDED.** When the manufacturer of Product Approved side wall horizontally vented gas equipment provides a venting system design or venting system components with the equipment, the instructions provided by the manufacturer for installation of the equipment and the venting system shall include:

1. Detailed instructions for the installation of the venting system design or the venting system components; and

2. A complete parts list for the venting system design or venting system.

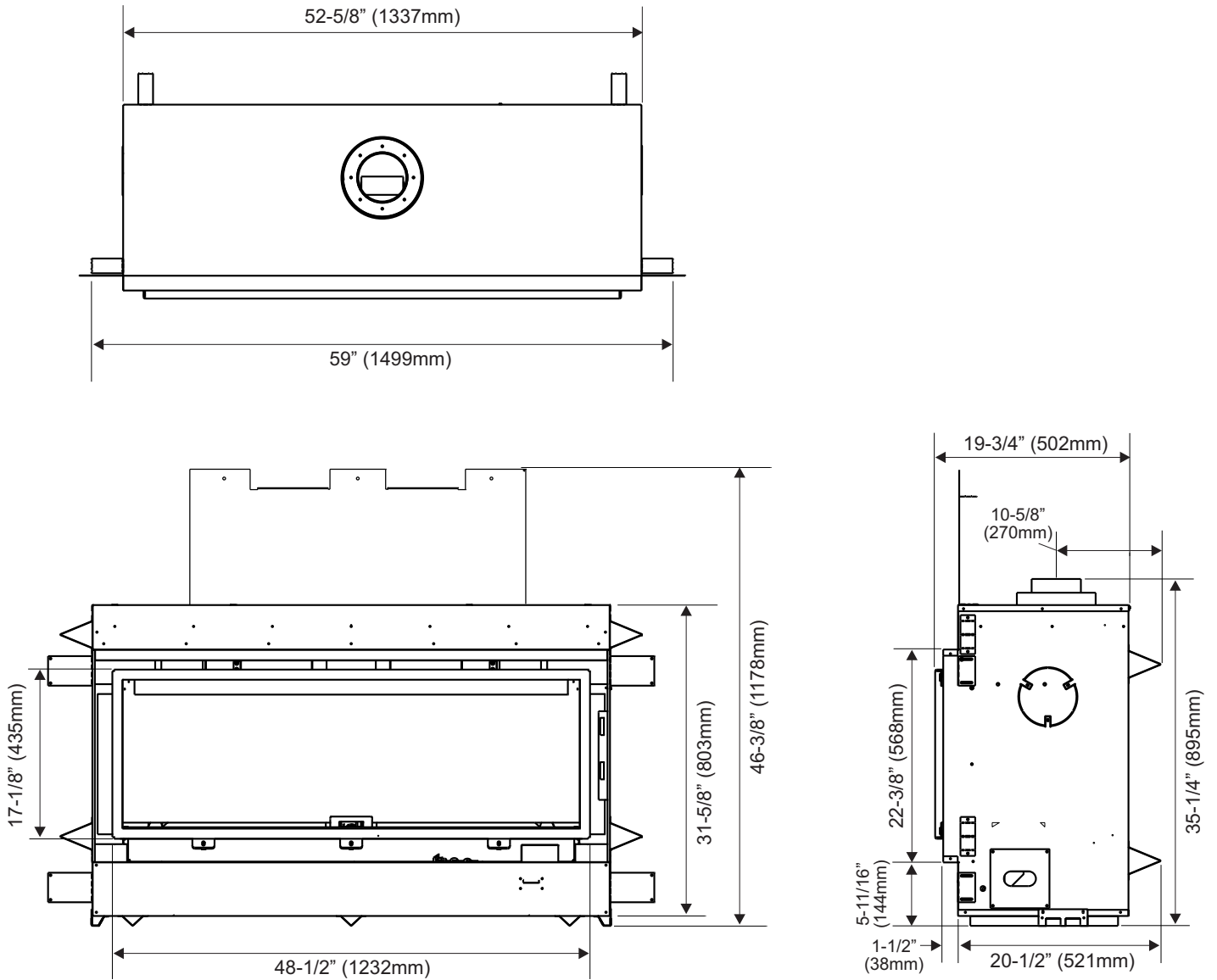
(d) **MANUFACTURER REQUIREMENTS - GAS EQUIPMENT VENTING SYSTEM NOT PROVIDED.** When the manufacturer of a Product Approved side wall horizontally vented gas fueled equipment does not provide the parts for venting the flue gases, but identifies "special venting systems", the following requirements shall be satisfied by the manufacturer:

1. The referenced "special venting system" instructions shall be included with the appliance or equipment installation instructions; and

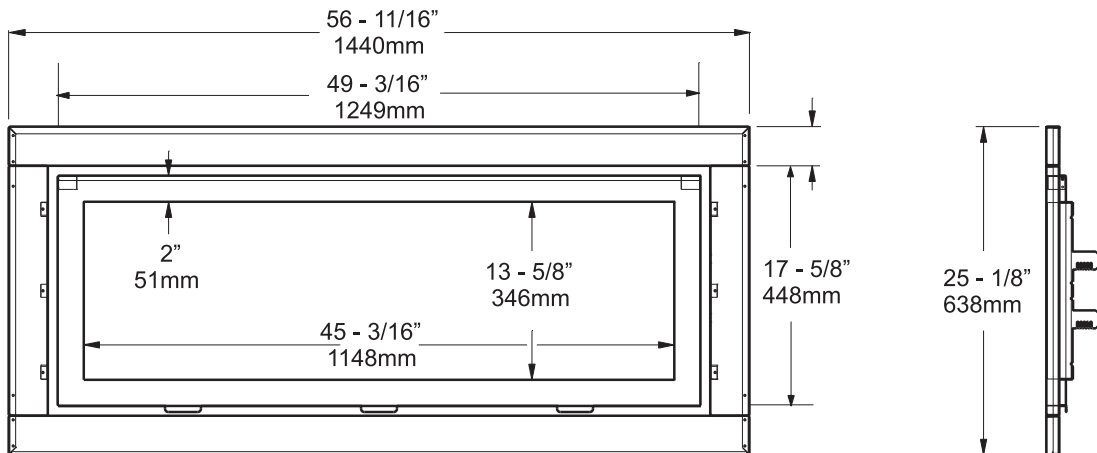
2. The "special venting systems" shall be Product Approved by the Board, and the instructions for that system shall include a parts list and detailed installation instructions.

(e) A copy of all installation instructions for all Product Approved side wall horizontally vented gas fueled equipment, all venting instructions, all parts lists for venting instructions, and/or all venting design instructions shall remain with the appliance or equipment at the completion of the installation.

UNIT DIMENSIONS



FACEPLATE & DOOR FRAME OVERLAY DIMENSIONS



INSTALLATION

IMPORTANT MESSAGE SAVE THESE INSTRUCTIONS

The HZ54E Direct Vent Fireplace must be installed in accordance with these instructions. Carefully read all the instructions in this manual first. Consult the "authority having jurisdiction" to determine the need for a permit prior to starting the installation. It is the responsibility of the installer to ensure this fireplace is installed in compliance with manufacturers instructions and all applicable codes.

BEFORE YOU START

Safe installation and operation of this appliance requires common sense, however, we are required by the Canadian Safety Standards and ANSI Standards to make you aware of the following:

INSTALLATION AND REPAIR SHOULD BE DONE BY AN AUTHORIZED SERVICE PERSON. THE APPLIANCE SHOULD BE INSPECTED BEFORE USE AND AT LEAST ANNUALLY BY A PROFESSIONAL SERVICE PERSON. MORE FREQUENT CLEANING MAY BE REQUIRED DUE TO EXCESSIVE LINT FROM CARPETING, BEDDING MATERIAL, ETC. IT IS IMPERATIVE THAT CONTROL COMPARTMENTS, BURNERS AND CIRCULATING AIR PASSAGEWAYS OF THE APPLIANCE BE KEPT CLEAN.

DUE TO HIGH TEMPERATURES, THE APPLIANCE SHOULD BE LOCATED OUT OF TRAFFIC AND AWAY FROM FURNITURE AND DRAPERIES.

WARNING: FAILURE TO INSTALL THIS APPLIANCE CORRECTLY WILL VOID YOUR WARRANTY AND MAY CAUSE A SERIOUS HOUSE FIRE.

CHILDREN AND ADULTS SHOULD BE ALERTED TO THE HAZARDS OF HIGH SURFACE TEMPERATURES, ESPECIALLY THE FIREPLACE GLASS, AND SHOULD STAY AWAY TO AVOID BURNS OR CLOTHING IGNITION.



YOUNG CHILDREN SHOULD BE CAREFULLY SUPERVISED WHEN THEY ARE IN THE SAME AREA AS THE APPLIANCE. TODDLERS, YOUNG CHILDREN AND OTHERS MAY BE SUSCEPTIBLE TO ACCIDENTAL CONTACT BURNS. A PHYSICAL BARRIER IS RECOMMENDED IF THERE ARE AT RISK INDIVIDUAL IN THE HOUSE. TO RESTRICT ACCESS TO A FIREPLACE OR STOVE, INSTALL AN ADJUSTABLE SAFETY GATE TO KEEP TODDLERS, YOUNG CHILDREN AND OTHER AT RISK INDIVIDUALS OUT OF THE ROOM AND AWAY FROM HOT SURFACES.

CLOTHING OR OTHER FLAMMABLE MATERIAL SHOULD NOT BE PLACED ON OR NEAR THE APPLIANCE.

GENERAL SAFETY INFORMATION

- 1) The appliance installation must conform with local codes or, in the absence of local codes, with the current Canadian or National Gas Codes, CAN1-B149 or ANSI Z223.1 Installation Codes.
- 2) The appliance when installed, must be electrically grounded in accordance with local codes, or in the absence of local codes with the current National Electrical Code, ANSI/NFPA 70 or CSA C22.1 Canadian Electrical Code.
- 3) See general construction and assembly instructions. The appliance and vent should be enclosed.
- 4) This appliance must be connected to the specified vent and termination cap to the outside of the building envelope. Never vent to another room or inside a building. Make sure that the vent is fitted as per Venting instructions.
- 5) Inspect the venting system annually for blockage and any signs of deterioration.
- 6) Venting terminals shall not be recessed into a wall or siding.
- 7) Any safety glass removed for servicing must be replaced prior to operating the appliance.
- 8) To prevent injury, do not allow anyone who is unfamiliar with the operation to use the fireplace.
- 9) Wear gloves and safety glasses for protection while doing required maintenance.
- 10) Be aware of electrical wiring locations in walls and ceilings when cutting holes for termination.
- 11) Under no circumstances should this appliance be modified. Parts that have to be removed for servicing should be replaced prior to operating this appliance.
- 12) Installation and any repairs to this appliance should be done by an authorized service person. A professional service person should be called to inspect this appliance annually. Make it a practice to have all of your gas appliances checked annually.
- 13) Do not slam shut or strike the glass door.
- 14) Under no circumstances should any solid fuels (wood, paper, cardboard, coal, etc.) be used in this appliance.
- 15) The appliance area must be kept clear and free of combustible materials, (gases and other flammable vapours and liquids).

Emissions from burning wood or gas could contain chemicals known to the State of California to cause cancer, birth defects or other reproductive harm.

INSTALLATION CHECKLIST

- 1) Locate appliance
 - a) Room location (Refer to "Locating Your Gas fireplace" section)
 - b) Clearances to Combustibles (Refer to "Clearances" section)
 - c) Mantle Clearances (Refer to "Mantle Clearances" section)
 - d) Framing & Finishing Requirements (Refer to "Framing & Finishing" section)
 - e) Venting Requirements (Refer to "Venting" section)
- 2) Assemble Top and Side Standoffs (Refer to "Unit Assembly Prior to Installation).
- 3) Slide unit into place.
- 4) Install vent (Refer to "Venting Arrangement" sections).
- 5) Make gas connections (Refer to "Gas Line Installation section).
- 6) Install 4AA batteries into battery pack or optional AC power adaptor.
- 7) Test the pilot (Refer to "Pilot Adjustment" section).
- 8) Test Gas Pressure (Refer to "Gas Pipe Pressure Testing" section).
- 9) Install standard and optional features. Refer to the following sections:
 - a) Optional Log Set Installation
 - b) Glass Crystals/ Optional Ceramic Stones
 - c) Optional Firebox Base Pebbles
 - d) Optional Reflective Panels
 - e) Faceplate / Door Frame Overlay
 - f) Remote Control
 - g) Wall Thermostat
 - h) Wall Switch
- 10) Final check.

Before leaving this unit with the customer, the installer must ensure that the appliance is firing correctly and **operation fully explained to customer.**

This includes:

- 1) Locking the appliance to ensure the correct firing rate (rate noted on label 41,500 Btu/h (NG), after burning appliance for 15 minutes.
- 2) If required, adjusting the primary air to ensure that the flame does not carbon. First allow the unit to burn for 15-20 min. to stabilize.

CAUTION: Any alteration to the product that causes sooting or carboning that results in damage is not the responsibility of the manufacturer.

LOCATING YOUR GAS FIREPLACE

- 1) When selecting a location for your fireplace, ensure that the clearances are met.
- 2) The appliance must be installed on a flat, solid, continuous surface For example a wood, metal or concrete floor or in a raised (on the wall) application. The appliance must be installed on a metal or wood panel extending the full width and depth of the appliance.
- 3) The HZ54E Direct Vent Gas Fireplace can be installed in a recessed position or framed out into the room as in A, B, C and D. See Diagram 1.

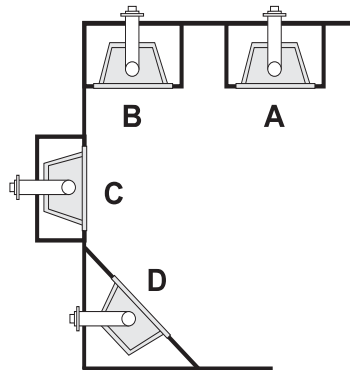


Diagram 1

- A) Flat on Wall
- B) Flat on Wall Corner
- C) Recessed into Wall/Alcove
- D) Corner

- 4) This appliance is Listed for bedroom installations using the standard Remote (millivolt thermostat system). Some areas may have further requirements, check local codes before installation.
- 5) The HZ54E Direct Vent Gas Fireplace is approved for alcove installations, see "Clearances" section for details.
- 6) We recommend that you plan your installation on paper using exact measurements for clearances and floor protection before actually installing this appliance. Have an authorized inspector, dealer, or installer review your plans before installation.

Note: For vent terminations refer to "Exterior Vent Termination Locations" section.



HEATWAVE DUCT SYSTEM OPTIONAL KIT #946-556

The **HeatWave** Air Duct Kit increases the effectiveness of your fireplace by dispersing warm air from the fireplace to remote locations in the same room or other rooms in your home.

Up to two kits may be installed on the fireplace.

Please Note: Only 1 HeatWave kit may be operated at one time. This includes the internal blower option as well.



The **HeatWave** Duct Kit has different clearance and framing requirements, check the **HeatWave** manual for details.

OPTIONAL HEAT RELEASE KIT

#946-570

The Heat Release Kit expels warm air from the fireplace to the outside of the building, allowing the fireplace to be operated with less heat entering the room. The kit may be used on either the left or right side.

INSTALLATION

CLEARANCES

The clearances listed below are Minimum distances unless otherwise stated:

A major cause of chimney related fires is failure to maintain required clearances (air space) to combustible materials. It is of the greatest importance that this fireplace and vent system be installed only in accordance with these instructions.

Caution Requirements

The top, back and sides of the fireplace are defined by standoffs. The metal ends of the standoff may **NOT** be recessed into combustible construction.

WARNING

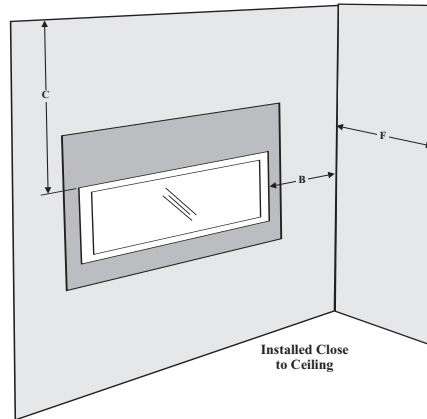
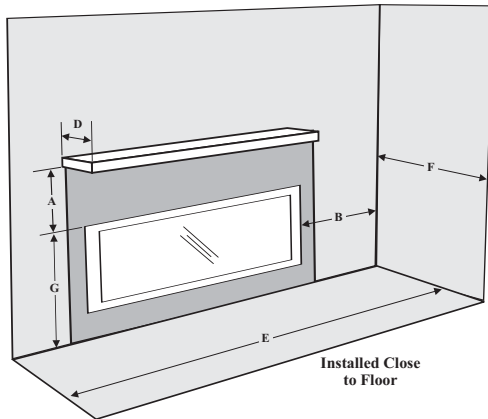
Fire hazard is an extreme risk if these clearances (air space) to combustible materials are not adhered to. It is of greatest importance that this fireplace and vent system be installed only in accordance with these instructions.

| Clearance: | Dimension | Measured From: |
|--|-------------------|--------------------------------|
| A: Mantel Height (min.) | 20" (508mm) | Top of Fireplace Opening |
| B: Sidewall (on one side) | 4" (102mm) | Side of Fireplace Opening |
| C: Ceiling (room and/or alcove) | 40-7/8" (1038mm) | Top of Fireplace Opening |
| D: Mantel Depth (max.) | 13" (330mm) | 30" Above Fireplace Opening |
| E: Alcove Width | 83" (2108mm) | Sidewall to Sidewall (Minimum) |
| F: Alcove Depth | 36" (914mm) | Front to Back Wall (Maximum) |
| G: To Floor | 28 - 7/8" (733mm) | Top of Fireplace Opening |
| Note | 0" | No hearth required |

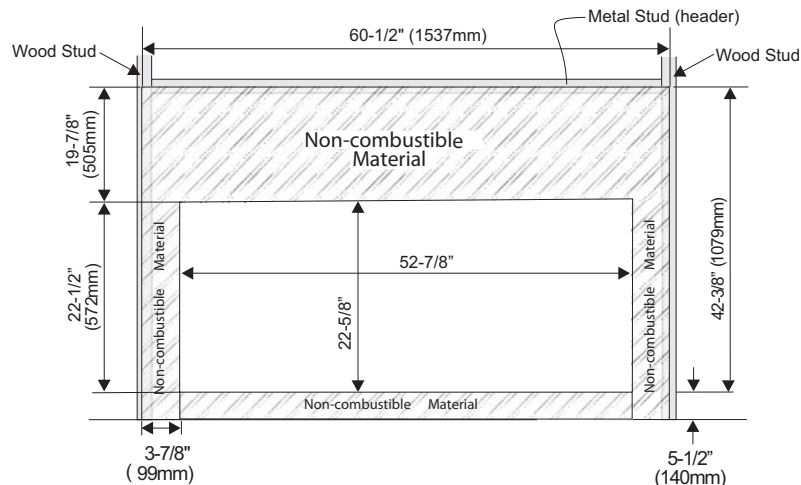


The **HeatWave** Duct Kit and the Heat Release Kit have different clearance and framing requirements, check the **HeatWave** and Heat Release manual for details.

| Flue Clearances to Combustibles | |
|---|--------|
| Horizontal - Top | 3" |
| Horizontal - Side | 2" |
| Horizontal - Bottom | 2" |
| Vertical | 2" |
| Passing through wall/floor/ceiling - when firestop is used. | 1-1/2" |



NON-COMBUSTIBLE REQUIREMENTS



NON COMBUSTIBLE FACING BOARD

All four pieces (top, 2 sides, bottom) are now supplied to meet the non combustible requirements. Previously only the top was supplied.

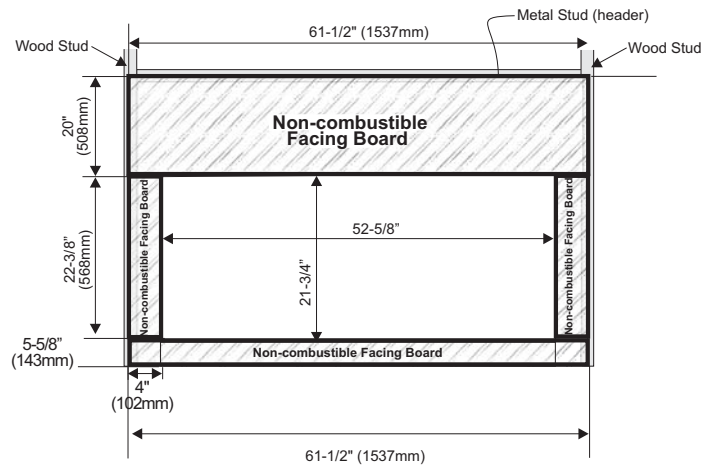
If finishing the wall above the unit with paint - the non-combustible board (shipped separately from the unit) should be installed. Facing board must be ordered when ordering the unit.

Calcium silicate board is a high - grade material with cement, quartz, natural and selected minerals as the main raw materials. It is widely used for partitions and ceilings in buildings. It is fire proof and earthquake proof.

If finishing the wall above the unit with materials such as tile, brick, marble, etc. non-combustible board available from the building supply store can be used.

Note: Calcium Silicate is 1/2" thick.

Caution: This non-combustible board can be damaged if dropped or struck. Handle with care.



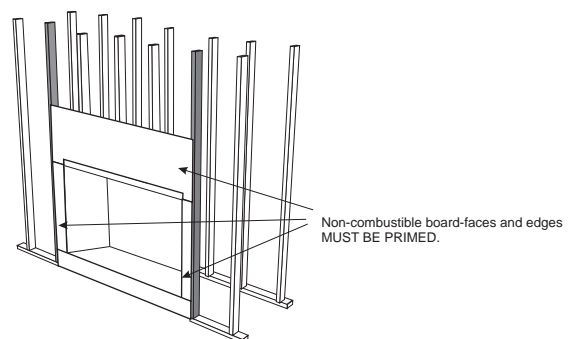
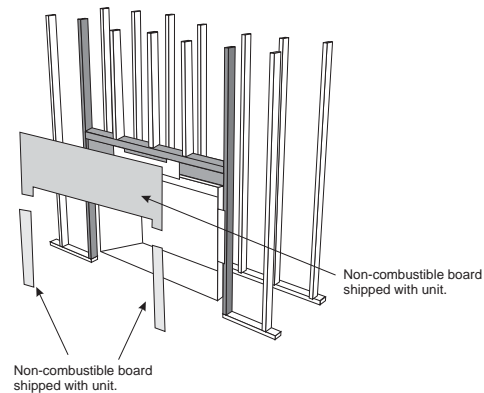
NON-COMBUSTIBLE FACING INSTALLATION

Caution: The non-combustible board supplied with this unit can be damaged if dropped or struck. **Handle with care.**

- 1) Using drywall screws - secure non combustible material around unit, framing and top nailing strip every 6 inches.

Important Note: To avoid cracking the board - pre-drill holes prior to securing to unit/ framing.

- 2) Wipe any debris/dust from the non combustible material and drywall.
- 3) Prior to securing it is mandatory to prime the facing and edges using a quality primer. This will ensure proper adhesion of both the tape and mud. The supplied board is very porous. Failure to follow this procedure will result in cracked seams.
- 4) Tape the seams using a mesh type tape.
- 5) Mud seams as normal. We recommend using a product called Durabond high strength compound - for the first coat. This product can be found at any hardware store. Mud must be cured as per manufacturer's recommendations.
- 6) Prime wall for a second time for proper adhesion of paint
- 7) Paint walls using a high quality paint which will withstand the high temperatures being emitted from this appliance.



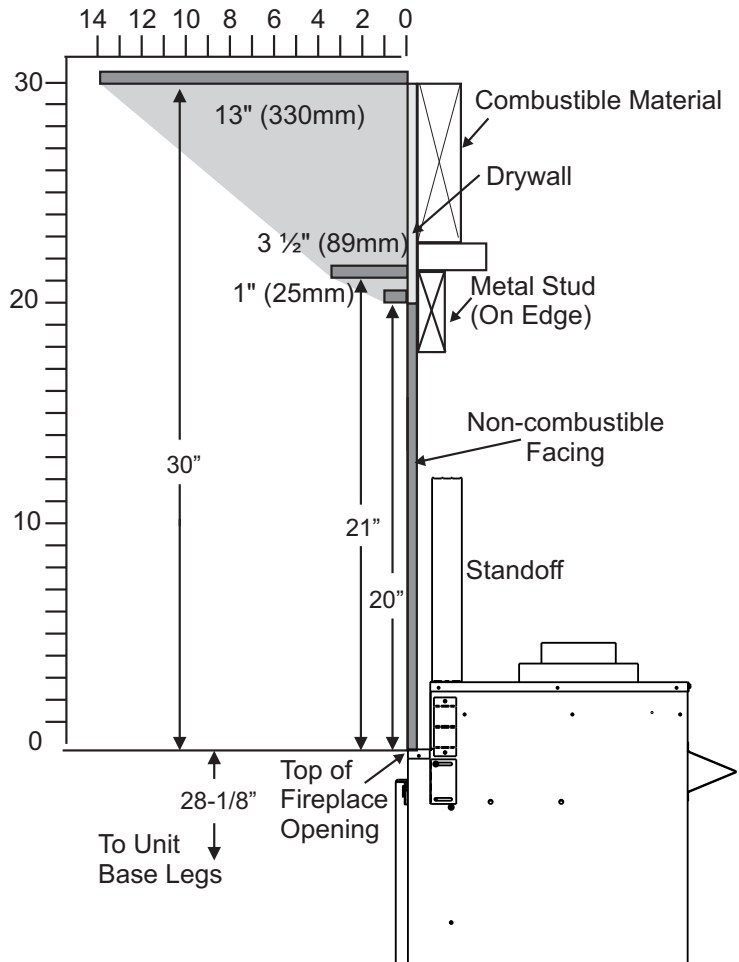
MANTEL CLEARANCES

Due to the extreme heat this fireplace emits, the mantel clearances are critical. Combustible mantel clearances from top of front facing are shown in

the diagram on the right.

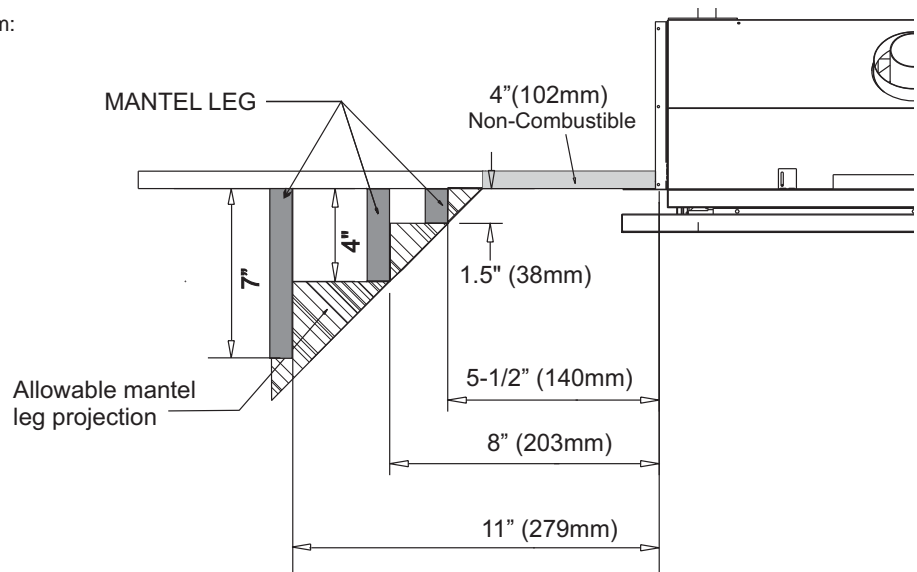
Note: A non-combustible mantel may be installed at a lower height if the framing is made of metal studs covered with a non-combustible board.

Note: Ensure the paint that is used on the mantel and the facing is "High Quality" or the paint may discolour.



MANTEL LEG CLEARANCES

Combustible mantel leg clearances as per diagram:



FRAMING & FINISHING

- 1) Frame in the enclosure for the unit with framing material.

IMPORTANT: Header must be metal stud. All other framing may be of combustible type such as 2x4 / 2x6 framing materials.

Note: When constructing the framed opening, please ensure there is access to install the gas lines when the unit is installed.

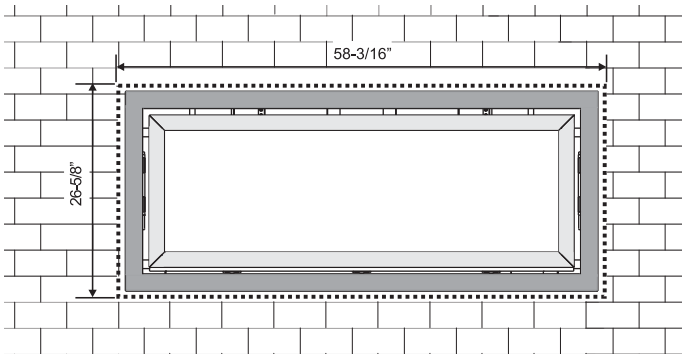
- 2) For exterior walls, insulate the enclosure to the same degree as the rest of the house, apply vapour barrier and drywall, as per local installation codes. **(Do not insulate the fireplace itself.)**

WARNING: Failure to insulate and add vapor barriers to the inside of the exterior wall will result in operational and performance problems including, but not limited to: excessive condensation on glass doors, poor flame package, carbon, blue flames etc. These are not product related issues.

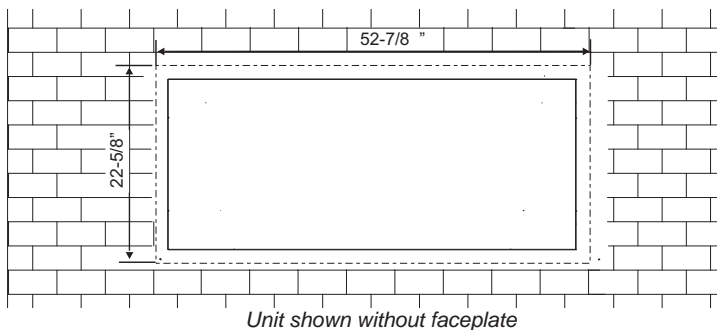
- 3) The unit does not have to be completely enclosed in a chase. You must maintain clearances from the vent to combustible materials: See "Clearances" section. Combustible materials can be laid against the side and back standoffs and the stove base.

- 4) The combined total of non-combustible facing materials (ie. hardboard + tile, slate, etc) may be brought up to and overlap the face of the unit (top and bottom). The minimum thickness = 1/2" to a maximum thickness = 1-1/2", as shown in the diagram below. **If material is thicker than 1-1/2" - it will not be possible to mount the faceplate.**

- 5) When finishing around the faceplate, if material such as brick, stone, etc. extend past the faceplate depth - the minimum opening dimensions noted below **must** be adhered to, this is to ensure removal of the faceplate.



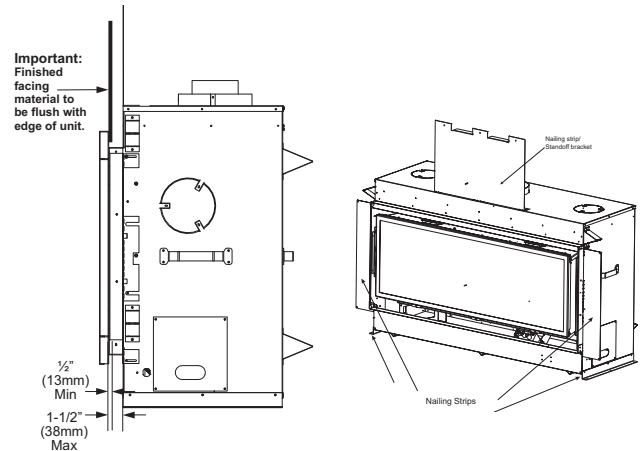
For material such as brick, stone, etc that extends less than 1-1/2" , the minimum opening dimensions noted below must be adhered to when finishing around the unit. This is to ensure the removal of the faceplate and for the safe operation of this appliance.



- 6) Determine the total thickness of facing material (eg. hardboard + ceramic tile) to ensure the finished surface is flush with the front edge of the unit (see diagram below). If necessary, side and top nailing strips are adjustable, loosen the 1/4" screws and adjust.

Total non-combustible facing allowable: Min. = 1/2"
Max. = 1- 1/2"

See diagram below.



| Finished Material | Nailing Strip Position | |
|-------------------|------------------------|--|
| 1/2" | 1" | Nailing Strip 1" Forward Unit |
| 1" | 1/2" | Nailing Strip 1/2" Forward Unit |
| 1-1/2" | 0" (flush) | Nailing Strip Flush w/unit Factory Set Unit |

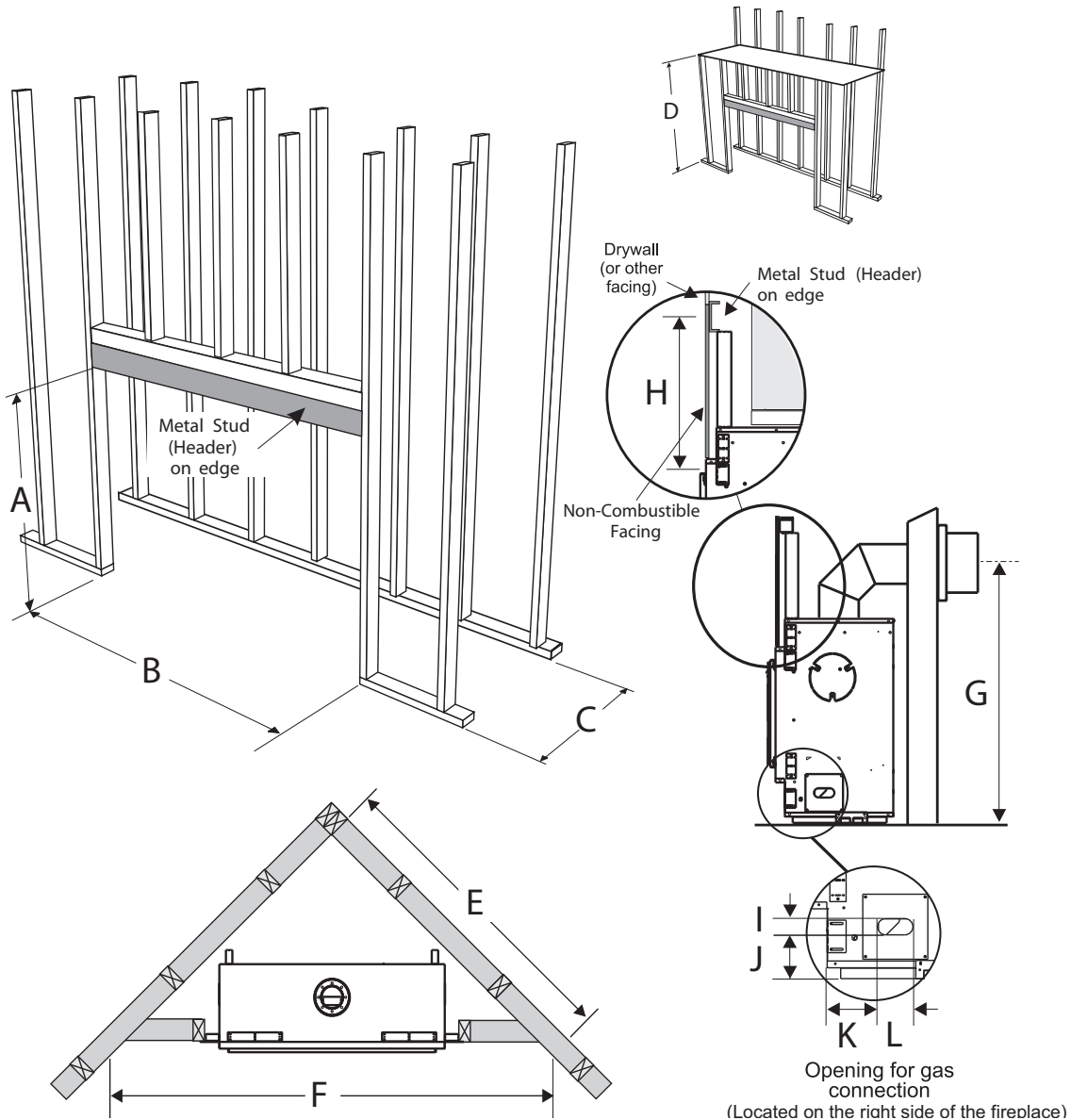
INSTALLATION

| Framing Dimensions | Description | HZ54E |
|--------------------|--------------------------------|-------------------|
| A | Framing Height | 46-5/8" (1184mm) |
| B | Framing Width | 60" (1524mm) |
| C* | Framing Depth* | 22" (559mm) |
| D | Minimum Height to Combustibles | 51" (1295mm) |
| E | Corner Wall Depth | 72" (1829mm) |
| F | Corner Facing Wall Width | 101-7/8" (2586mm) |
| G | Vent Centerline Height | 44" (1118mm) |
| H | Non-combustible facing height | 20" (508mm) |
| I | Gas Connection Opening Height | 1-1/2" (38mm) |
| J | Gas Connection Height | 4" (102mm) |
| K | Gas Connection Inset | 7-1/4" (184mm) |
| L | Gas Connection Opening Width | 3-1/4" (83mm) |

* Framing depth measurement is noted with the side nailing strips set as far forward on the firebox as possible. The side nailing strips can be adjusted back up to 1" to allow for varying thicknesses in non-combustible material & wall finishes.

Important: The minimum framing dimensions given for height, width and depth must be maintained even if using non combustible materials.

Dangerous operating conditions will occur if minimum framing dimensions are not adhered to.



UNIT ASSEMBLY PRIOR TO INSTALLATION

The Top Standoff/ Nailing Strip, side nailing strips and standoffs must be correctly positioned and attached to the unit before sliding the unit into position.

STANDOFF ASSEMBLY

The top, side, rear and bottom standoffs are shipped in a flat position and must be folded into shape and attached - see diagram 1.

- 1) Remove the standoffs from the unit.
- 2) Take each standoff and bend into the correct shape. Bend up at the bend lines until the screw holes in the standoff and the pre-punched screw holes on the unit line up.

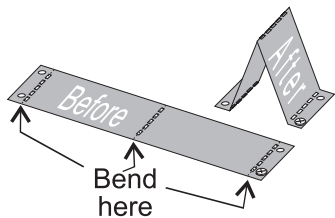


Diagram 1

The top stand off / nailing strip is shipped attached to the back of the unit as shown below.

- 1) Remove one screw in location shown below. Replace the screw on the back the unit after removing the standoff / nailing strip.
- 2) Bend the 3 tabs at the bottom of the stand off / nailing strip to 90°, bend in the same direction as the top tabs.
- 3) Install on the top front of the unit as shown in diagram 3. Do not fully tighten the screws when installing - until the facing thickness has been determined.

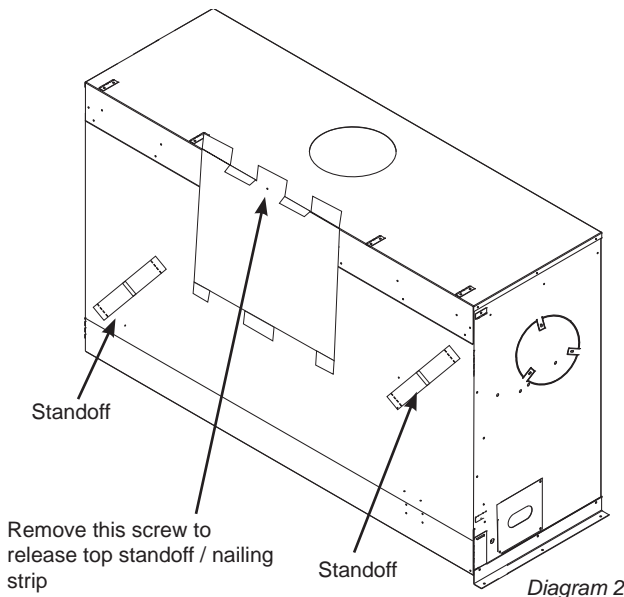


Diagram 2

NAILING STRIPS

The nailing strips come attached to the unit. There is 1 plate on each side, 1 on the top, and one on the bottom that can be folded out as required. The top and side nailing strips are secured to the framing. The bottom nailing strip is secured to the unfinished floor - if installing the unit directly on the floor.

Note: The bottom nailing strip will need to be bent on site and adjusted to accommodate the thickness of the facing material.

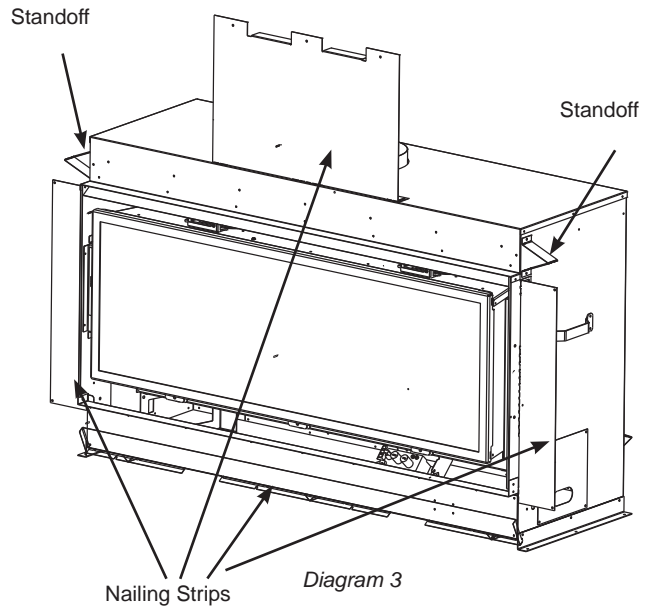


Diagram 3

IMPORTANT NOTE

Framing depth measurement is noted with the side nailing strips set as far forward on the firebox as possible. The nailing strips can be adjusted back up to 1" to allow for varying thicknesses in non-combustible material & wall finishes.

VENTING INTRODUCTION

The HZ54E uses the "balanced flue" technology Co Axial system. The inner liner vents products of combustion to the outside while the outer liner draws outside combustion air into the combustion chamber thereby eliminating the need to use heated room air for combustion and losing warm room air up the chimney.

Note: These flue pipes must not be connected to any other appliance.

The gas appliance and vent system must be vented directly to the outside of the building, and never be attached to a chimney serving a separate solid fuel or gas burning appliance. Each direct vent gas appliance must use it's own separate vent system. Common vent systems are prohibited.

VENT RESTRICTOR POSITION

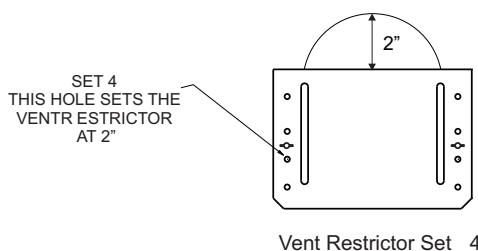
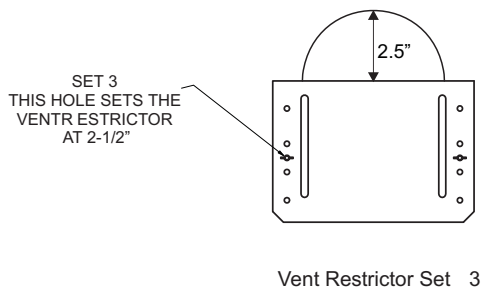
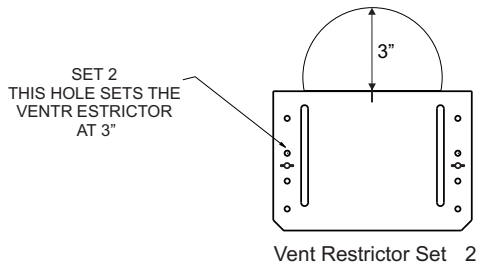
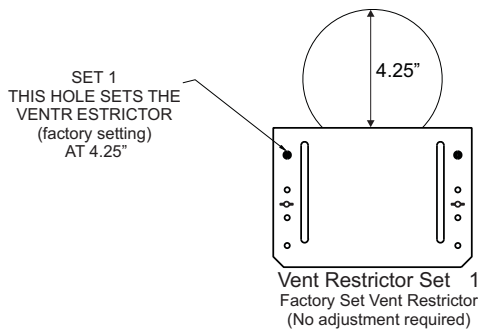
Vent restriction is required for certain venting installations, see the diagrams in the "Venting Arrangements" section to determine if they are required for your installation.

The Vent Restrictor plate is located on the inside top of the firebox.

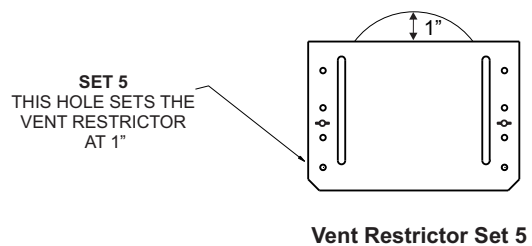
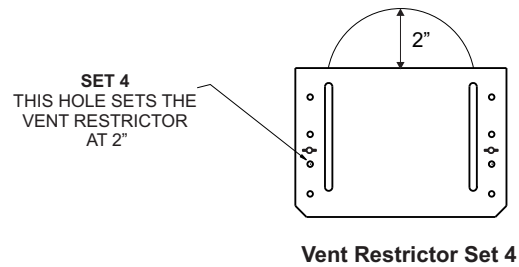
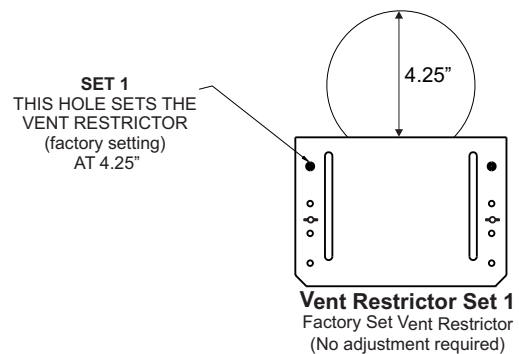
To set the vent restriction as indicated in the venting arrangements diagrams, refer to the following instructions;

- 1) Remove the glass door.
- 2) Remove the screws that hold the vent restrictor plate in place.
- 3) Adjust the vent restrictor plate to the required vent restrictor position as per the diagrams shown.
- 4) Once the vent restrictor plate is in the required position, secure with screws.

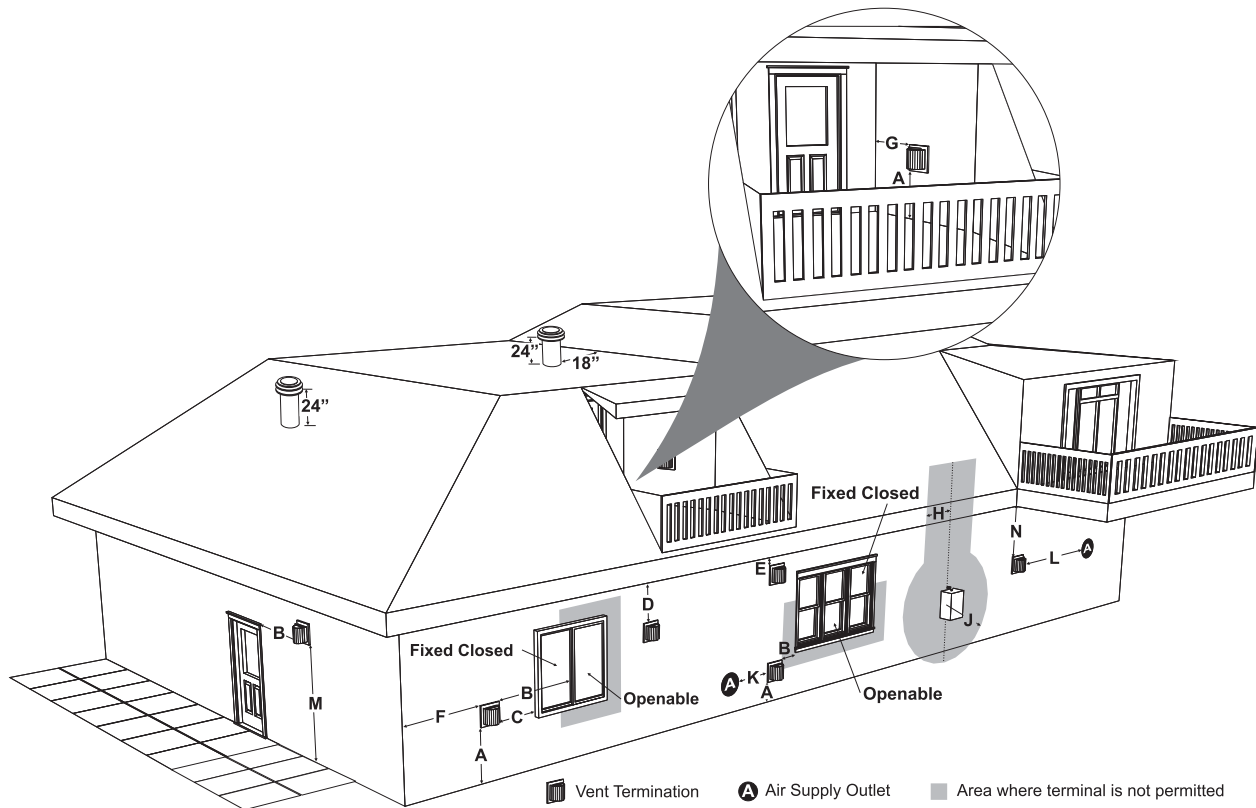
Vent Restrictor Settings for HZ54E-NG



Vent Restrictor Settings for HZ54E-LP



EXTERIOR VENT TERMINATION REQUIREMENTS



| | Minimum Clearance Requirements | Canada ¹ | USA ² |
|---|---|------------------------|------------------------|
| A | Clearance above grade, veranda, porch, deck, or balcony | 12"(30cm) | 12"(30cm) |
| B | Clearance to window or door that may be opened | 12"(30cm) | 9" (23cm) |
| C | Clearance to permanently closed window | * | * |
| D | Vertical clearance to ventilated soffit located above the terminal within a horizontal distance of 2 feet (61cm) from the center line of the terminal (check with the local code) | 24"(60cm) | 24"(60cm) |
| E | Clearance to unventilated soffit | 24"(60cm) | 24"(60cm) |
| F | Clearance to outside corner: with AstroCap Termination Cap. | 13"(33cm) | 13"(33cm) |
| | Clearance to outside corner: with all other approved Termination Caps. | 13"(33cm) | 13"(33cm) |
| G | Clearance to inside corner: with AstroCap Termination Cap | 13"(33cm) | 13"(33cm) |
| | Clearance to inside corner: with all other approved Termination Caps. | 13"(33cm) | 13"(33cm) |
| H | Clearance to each side of center line extended above meter/regulator assembly | 36"(90cm) ^a | * |
| J | Clearance to service regulator vent outlet | 36"(90cm) | * |
| K | Clearance to non-mechanical air supply inlet to building or the combustion air inlet to any other appliance | 12"(30cm) | 9" (23cm) |
| L | Clearance to a mechanical air supply inlet | 72"(1.8m) | 36"(90cm) ^b |
| M | Clearance above paved sidewalk or a paved driveway located on public property | 84"(2.1m) [†] | * |
| N | Clearance under veranda, porch, deck, or balcony | 12"(30cm) [‡] | * |

¹ In accordance with current CSA B149.1, *Natural Gas and Propane Installation Code*

² In accordance with the current ANSI Z223.1/NFPA 54, *National Fuel Gas Code*

[†] A vent shall not terminate directly above a sidewalk or paved driveway which is located between two single family dwellings and serves both dwellings

[‡] Permitted only if veranda, porch, deck, or balcony is fully open on a minimum of two sides beneath the floor

* Clearance in accordance with local installation codes and the requirements of the gas supplier

^a 3 feet (91cm) within a height of 15 feet (4.5m) above the meter / regulator assembly

^b 3 feet (91cm) above - if within 10 feet (3m) horizontally

VENTING ARRANGEMENTS

HORIZONTAL TERMINATION (FLEX) Regency® Direct Vent System

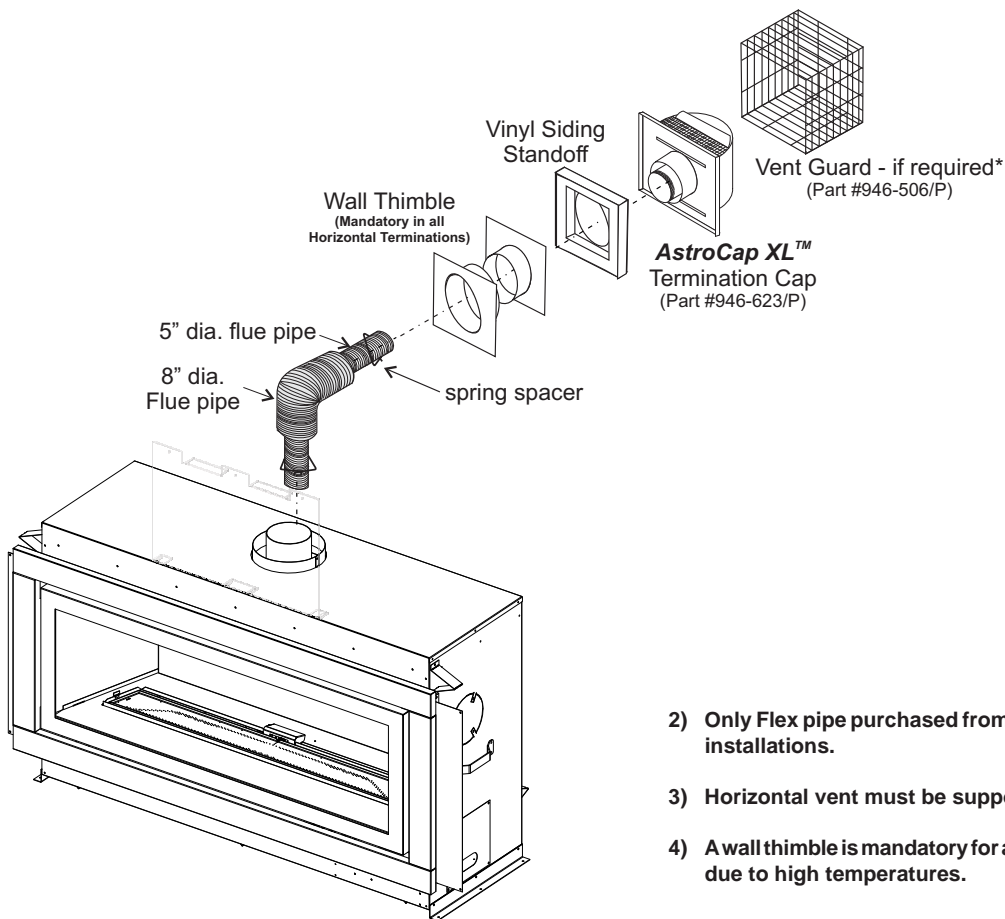
These venting systems, in combination with the HZ54E, have been tested and listed as a direct vent system by Warnock Hersey/Intertek. The location of the termination cap must conform to the requirements in the Vent Terminal Locations diagram from the "Exterior Vent Termination Locations" section.

FPI Direct Vent (Flex) System Termination Kits include all the parts needed to install the HZ54E using a flexible vent.

Notes:

- 1) Liner sections should be continuous without any joints or seams.

| FPI Kit # | Length | Contains: |
|-----------|---------|--|
| #946-615 | 4 Feet | 1) 8" flexible liner (Kit length) 2) 5" flexible liner (Kit length) 3) spring spacers |
| #946-618 | 6 Feet | 4) thimble 5) AstroCap termination cap 6) screws |
| #946-616 | 10 Feet | 7) tube of Mill Pac 8) plated screws 9) S.S. screws #8 x 1-1/2" drill point 10) vinyl siding standoff |



- 2) Only Flex pipe purchased from FPI may be used for Flex installations.
- 3) Horizontal vent must be supported every 3 feet.
- 4) A wall thimble is mandatory for all horizontal terminations due to high temperatures.

RIGID PIPE VENTING SYSTEMS

BASIC HORIZONTAL & VERTICAL TERMINATIONS

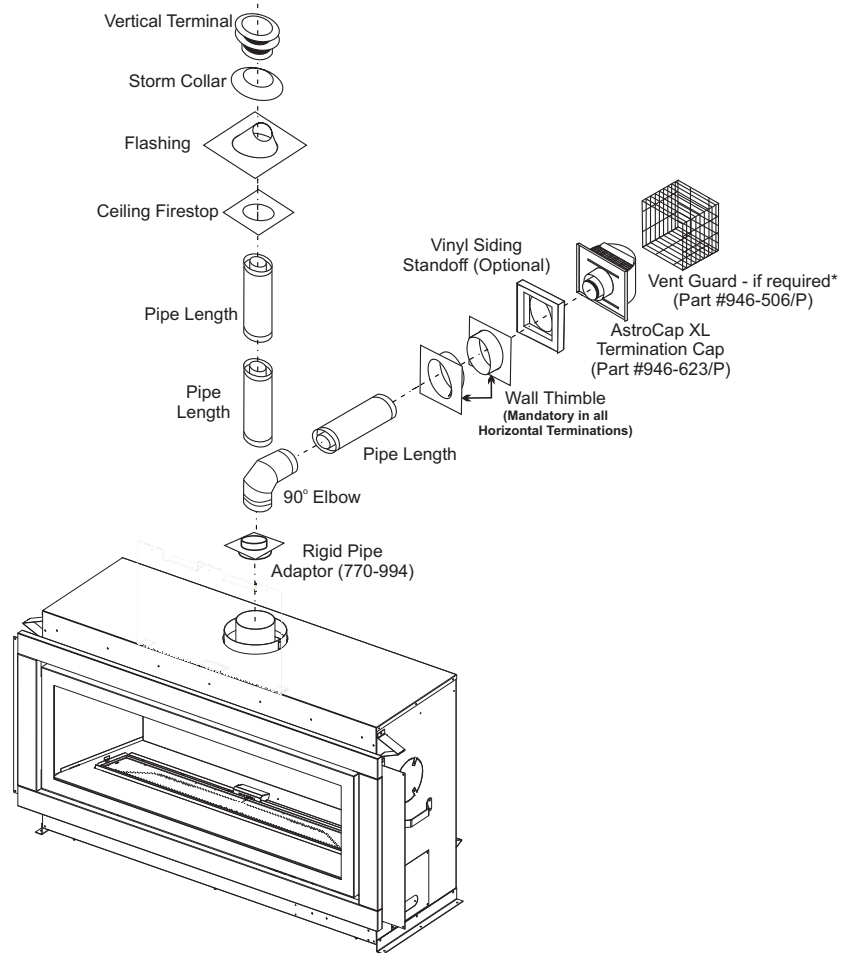
Rigid Pipe Vent Systems offer a complete line of component parts for installation of both horizontal and vertical installations. Many items are offered in decorative black, as well as galvanized finish.

The minimum components required for a basic Horizontal Termination are:

- 1 AstroCap XL Termination Cap
- 1 90° Elbow
- 1 Rigid Pipe Adaptor
- 1 Wall Thimble
- 1 Length of rigid pipe to suit wall thickness

The minimum components required for a basic Vertical Termination are:

- 1 Vertical Termination Cap
- 1 Rigid Pipe Adaptor
- 1 Lengths of pipe to adequately penetrate roof
- 1 Ceiling Firestop
- 1 Flashing
- 1 Storm Collar



Wall thickness is measured from the back standoffs to the inside mounting surface of termination cap. For siding other than vinyl, furring strips may be used, instead of a vinyl siding standoff, to create a level surface to mount the vent terminal. The Terminal must not be recessed into siding. Measure the wall thickness including furring strips.

If a Vinyl Siding Standoff is required (it must be used with vinyl siding), measure to outside surface of wall without siding and add 2 inches.

WARNING:

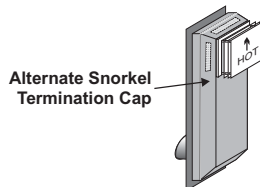
Do not combine venting components from different venting systems.

Exception: However, use of the the AstroCap XL™ is acceptable with all systems.

This product has been evaluated by Intertek for using a Rigid Pipe Adaptor in conjunction with Simpson DV Pro, Metal-Fab Sure-Seal, ICC Excel and Selkirk Direct-Temp systems. Use of these systems with the Rigid Pipe adaptor is deemed acceptable and does not affect the Warnock Hersey/Intertek listing of components.

When using Rigid Vent other than Simpson Dura-Vent, 3 screws must be used to secure rigid pipe to adaptor.

Alternate Horizontal Termination Caps



The FPI AstroCap XL™ is certified for installations using FPI venting systems as well as Simpson Dura-Vent® Direct Vent Pro, ICC Excel and Selkirk Direct-Temp. AstroCap XL™ is a proprietary trademark of FPI Fireplace Products International Ltd. Dura-Vent® and Direct Vent are registered and/or proprietary trademarks of Simpson Dura-Vent Co. Inc.

INSTALLATION

5" X 8" RIGID PIPE CROSS REFERENCE CHART

Components from different Manufacturers may not be mixed. Not All Rigid Pipe components are available directly from FPI.

| Description | Simpson Direct Vent Pro® | Selkirk Direct Temp™ | Metal-Fab™ Sure Seal | ICC Excel Direct |
|----------------------------|-----------------------------|-------------------------|-------------------------|---------------------|
| 6" Pipe Length-Galvanized | 58DVA-06 | 5DT-6 | 5D6 | TC-5DL6 |
| 6" Pipe Length-Black | 58DVA-06B | 5DT-6B | 5D6B | TC-5DL6B |
| 9" Pipe Length-Galvanized | 58DVA-09 | 5DT-9 | N/A | N/A |
| 9" Pipe Length-Black | 58DVA-09B | 5DT-9B | N/A | N/A |
| 12" Pipe Length-Galvanized | 58DVA-12 | 5DT-12 | 5D12 | TC-5DL1 |
| 12" Pipe Length-Black | 58DVA-12B | 5DT-12B | 5D12B | TC-5DL1B |
| 18" Pipe Length-Galvanized | 58DVA-18 | 5DT-18 | 5D18 | TC-5DL18 |
| 18" Pipe Length-Black | 58DVA-18B - N/A from FPI | 5DT-18B | 5D18B | TC-5DL18B |
| 24" Pipe Length-Galvanized | 58DVA-24 | 5DT-24 | 5D24 | TC-5DL2 |
| 24" Pipe Length-Black | 58DVA-24B | 5DT-24B | 5D24B | TC-4DL2B |
| 36" Pipe Length-Galvanized | 58DVA-36 | 5DT-36 | 5D36 | TC-5DL3 |
| 36" Pipe Length-Black | 58DVA-36B | 5DT-36B | 5D36B | TC-5DL3B |
| 48" Pipe Length-Galvanized | 58DVA-48 | 5DT-48 | 5D48 | TC-5DL4 |
| 48" Pipe Length-Black | 58DVA-48B | 5DT-48B | 5D48B | TC-5DL4B |
| 60" Pipe Length-Galvanized | 58DVA-60 | N/A | N/A | N/A |
| 60" Pipe Length-Black | 58DVA-60B - N/A from FPI | N/A | N/A | N/A |

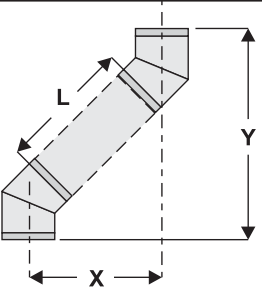
| | | | | |
|--------------------------------------|--------------------------|---------|-------|----------|
| Adjustable Length 3"-10"-Galvanized | N/A | N/A | 5DAL | TC-5DLT |
| Adjustable Length 3"-10"-Black | N/A | N/A | 5DALB | TC-5DLTB |
| Adjustable Length 11"-14"-Galvanized | Disc. - See 58DV-08A | 5DT-AJ | N/A | N/A |
| Adjustable Length 11"-14"-Black | Disc. - See 58DV-08B | 5DT-AJB | N/A | N/A |
| Extension Pipe 17"-24"-Galvanized | Disc. - See 58DV-16A | N/A | N/A | N/A |
| Extension Pipe 17"-24"-Black | Disc. - See 58DV-16AB | N/A | N/A | N/A |
| Adjustable Length 8-1/2"-Galvanized | 58DVA-08A - N/A from FPI | N/A | N/A | N/A |
| Adjustable Length 8-1/2"-Black | 58DVA-08AB | N/A | N/A | N/A |
| Extension Pipe 16"-Galvanized | 58DVA-16A - N/A from FPI | N/A | N/A | N/A |
| Extension Pipe 16"-Black | 46DVA-16AB | N/A | N/A | N/A |

| | | | | |
|--------------------------------------|-----------------------|------------|------------|-----------|
| 45° Elbow-Galvanized | 58DVA-E45 | 5DT-EL45 | 5DT-EL45 | TE-5DE45 |
| 45° Elbow-Black | 58DVA-E45B | 5DT-EL45B | 5DT-EL45B | TE-5DE45B |
| 45° Elbow Swivel-Galvanized | Disc. - See 58DVA-E45 | N/A | N/A | N/A |
| 45° Elbow Swivel-Black | Disc.-See 58DVA-E45B | N/A | N/A | N/A |
| 90° Elbow-Galvanized | 58DVA-E90 | 5DT-EL90S | 5DT-EL90S | TE-5DE90 |
| 90° Elbow-Black | 58DVA-E90B | 5DT-EL90SB | 5DT-EL90SB | TE-5DE90B |
| 90° Elbow, Swivel-Galvanized | Disc. - See 46DVA-E45 | N/A | N/A | N/A |
| 90° Elbow, Swivel-Black | Disc. - See 46DVA-E45 | N/A | N/A | N/A |
| 90° Starter Elbow, Swivel-Galvanized | N/A | N/A | N/A | N/A |
| Adaptor* | N/A | N/A | N/A | N/A |

| | | | | |
|--------------------------------------|-------------------------|----------|------|-----------|
| Ceiling Support | 58DVA-DC | 5DT-CS | 5DSP | TE-5DE45 |
| Cathedral Support Box | 58DVA-CS | 5DT-CSS | 5DRS | TE-5DE45B |
| Wall Support/Band | 58DVA-WS | 5DT-WS/B | 5DWS | N/A |
| Offset Support | 58DVA-ES - N/A from FPI | 5DT-OS | N/A | N/A |
| Wall Thimble-Black | 58DVA-WT | 5DT-WT | 5DWT | TE-5DE90 |
| Wall Thimble Support/Ceiling Support | 58DVA-DC - N/A from FPI | N/A | N/A | TE-5DE90B |
| Firestop Spacer | 58DVA-FS | 5DT-FS | 5DFS | N/A |
| Trim Plate-Black | 58DAV-WFS | 5DT-TP | 5DCP | N/A |

| Description | Simpson Direct Vent Pro® | Selkirk Direct Temp™ | Metal-Fab™ Sure Seal | ICC Excel Direct |
|--------------------------------------|---|----------------------|-------------------------------------|------------------|
| Attic Insulation Shield 12" | 58DVA-IS N/A from FPI | N/A | N/A | N/A |
| Basic Horizontal Termination Kit (A) | N/A | 5DT-HKA | N/A | N/A |
| Horizontal Termination Kit (B) | 58DVA-KHA | 5DT-HKB | N/A | N/A |
| Vertical Termination Kit | 58DVA-VHA | 5DT-VKC | N/A | N/A |
| High Wind Vertical Cap | 58DVA-VCH | N/A | N/A | TM-5VT |
| High Wind Horizontal Cap | N/A | N/A | N/A | TM-5DHT |
| Horizontal Square Termination Cap | N/A | 5DT-HHC | 5DHT | TM-5HT |
| Vertical Termination Cap | N/A | 5DT-HVC | 5DVT | TM-5VT |
| Storm Collar | 58DVA-SC | 5DT-SC | 5DSC | TM-SC |
| Adjustable Flashing 0/12-6/12 | 58DVA-F6 | 5DT-AF6 | 5DF | TF-5FA |
| Adjustable Flashing 6/12-12/12 | 58DVA-F12 | 5DT-AF12 | 5DF1-2 | TF-5FB |
| Vinyl Siding Standoff | 58DVA-VSS | 5DT-VS | 5DVS | TM-VSS |
| Vinyl Siding Shield Plate | N/A | 5DT-VSP | N/A | N/A |
| Snorkel Termination 14" | 58DVA-SNK14 | N/A | N/A | TM-5ST14 |
| Snorkel Termination 36" | 58DVA-SNK36 (N/A - FPI) | N/A | N/A | TM-5ST36 |
| Restrictor Disk | 58DVA-RD | N/A | N/A | TM-5DS |
| Colinear Flex Connectors | N/A | N/A | N/A | N/A |
| FPI | | | | |
| 946-604/P | Simpson Direct Vent -Vent Guard (Optional) | 946-623/P | AstroCap XL Horizontal Cap | |
| 770-994 | Rigid Pipe Adaptor (Must use with all rigid piping) | 946-506/P | Vent Guard (Optional) | |
| 946-606 | Starter collar reducer 5" x 8" to 4" x 6-5/8" | 946-625 | Vinyl Siding Standoff - AstroCap XL | |

Note: When using Metal-Fab Sure Seal Rigid Piping - please note that the Adaptor (4DDA) must be used in conjunction with FPI Rigid Pipe Adaptor (510-994).

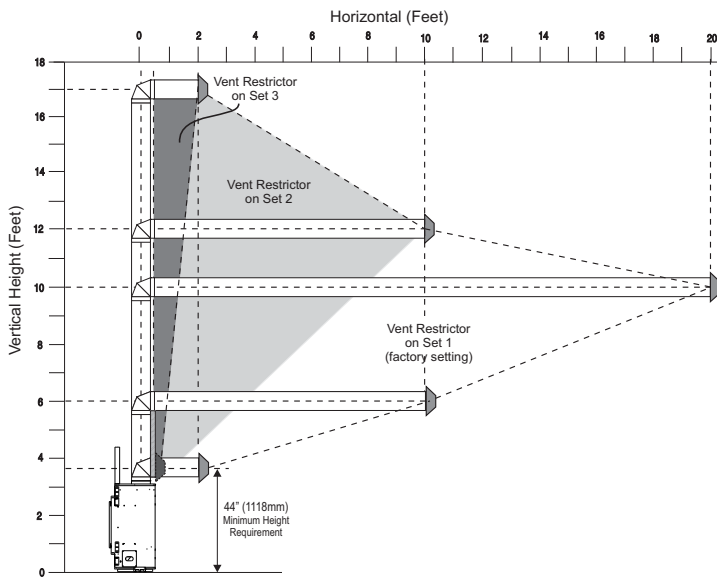
| Offset Pipe Selection: Use this table to determine offset pipe lengths. | | |  | For specific instructions on venting components - visit the manufacturers website listed below. Simpson Direct Vent Pro: www.duravent.com Selkirk Direct-Temp: www.selkirkcorp.com Metal-Fab Sure Seal: www.mtlfab.com Industrial Chimney Company: www.icc-rsf.com Note: Horizontal runs of vent must be level, or have a 1/4" rise for every 1 foot of run towards the termination. Never allow the vent to run downward - this could cause high temperatures and may present a possible fire hazard. |
|---|-------------------|-------------------|---|---|
| Pipe Length (L) | 5" x 8" Venting | | | |
| | Run (X) | Rise (Y) | | |
| 0" (0mm) | 5-11/16" (144mm) | 15-5/16" (389mm) | | |
| 6" (152mm) | 8-13/16" (224mm) | 18-7/16" (468mm) | | |
| 9" (229mm) | 10-15/16" (278mm) | 20-9/16" (522mm) | | |
| 12" (305mm) | 13" (330mm) | 22-11/16" (576mm) | | |
| 24" (610mm) | 21-7/16" (697mm) | 31-1/16" (789mm) | | |
| 36" (914mm) | 29-13/16" (757mm) | 39-7/16" (1002mm) | | |
| 48" (1219mm) | 38-1/4" (972mm) | 47-7/8" (1216mm) | | |

INSTALLATION

VENTING ARRANGEMENTS ALLOWABLE HORIZONTAL TERMINA- TIONS FOR HZ54E-NG

The diagram shows all allowable combinations of vertical runs with horizontal terminations, using one 90° (two 45° elbows equal one 90° elbow).

Note: Must use optional rigid pipe adapter (Part# 770-994) when using Rigid Pipe Venting Systems.



VENT RESTRICTOR SETTING:

Vent restrictor factory set, no adjustment required unless otherwise indicated.

Refer to the "Vent Restrictor Position" section for details on how to change the vent restrictor from the factory setting of Set 1 to Set 2 or Set 3 if required.

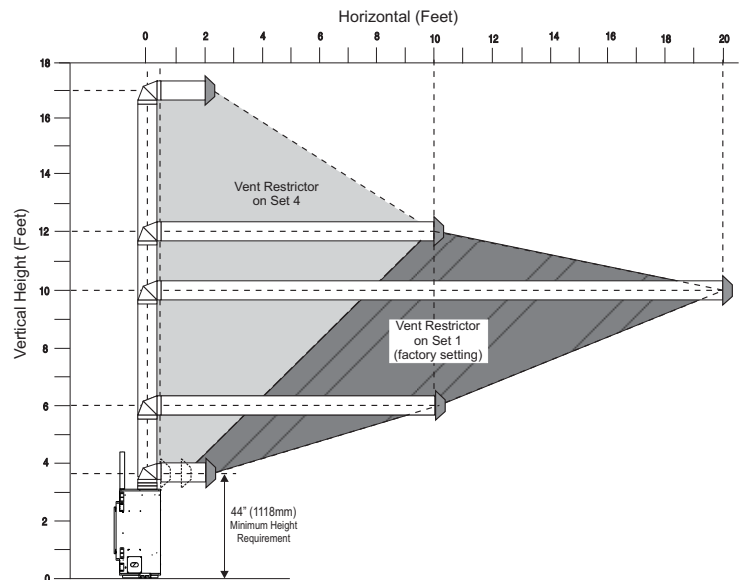
Note: Regency® Direct Vent System (Flex) is only approved for horizontal terminations.

- Maintain clearances to combustibles as listed in "Clearances" section
- Horizontal vent must be supported every 3 feet.
- Firestops are required at each floor level and whenever passing through a wall.
- A wall thimble is mandatory for all horizontal terminations due to high temperatures.

VENTING ARRANGEMENTS ALLOWABLE HORIZONTAL TERMINA- TIONS FOR HZ54E-LP

The diagram shows all allowable combinations of vertical runs with horizontal terminations, using one 90° (two 45° elbows equal one 90° elbow).

Note: Must use optional rigid pipe adapter (Part# 770-994) when using Rigid Pipe Venting Systems.



VENT RESTRICTOR SETTING:

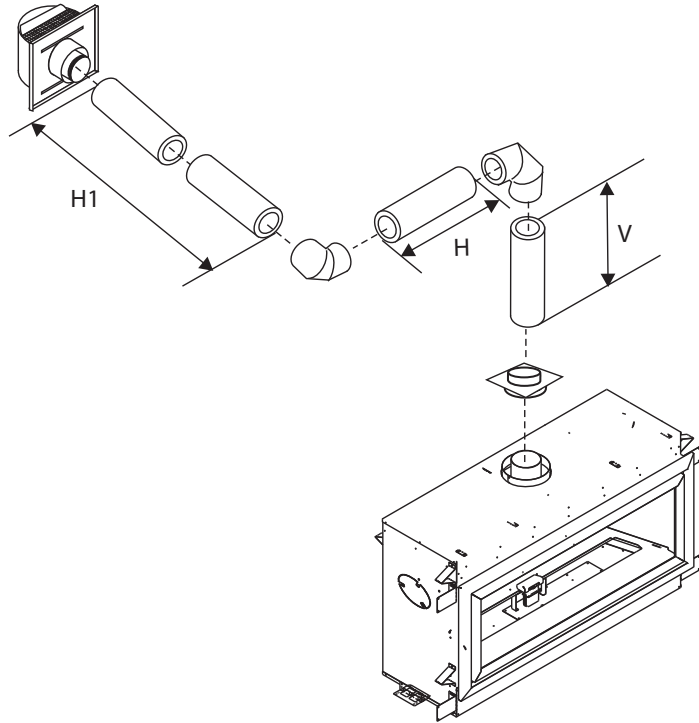
Vent restrictor factory set, no adjustment required unless otherwise indicated.

Refer to the "Vent Restrictor Position" section for details on how to change the vent restrictor from the factory setting of Set 1 to Set 4 if required.

Note: Regency® Direct Vent System (Flex) is only approved for horizontal terminations.

- Maintain clearances to combustibles as listed in "Clearances" section
- Horizontal vent must be supported every 3 feet.
- Firestops are required at each floor level and whenever passing through a wall.
- A wall thimble is mandatory for all horizontal terminations due to high temperatures.

Horizontal Venting with Two (2) 90° Elbows NG and LP



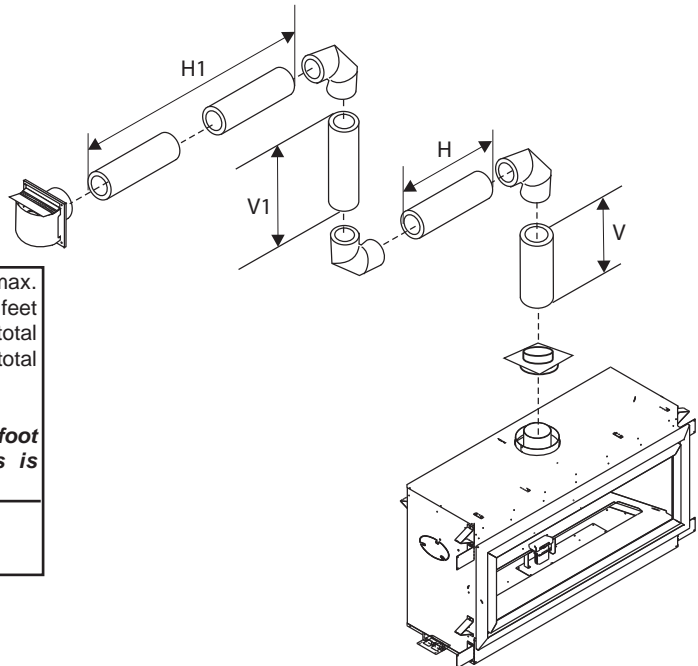
One 90° elbow = Two 45° elbows.

| Option | V | H + H1 | With these options, maximum total pipe length is 30 feet with minimum of 6 feet total vertical and maximum 10 feet total horizontal. |
|--------|---------|----------|--|
| A) | 2' Min. | 4' Max. | |
| B) | 3' Min. | 6' Max. | |
| C) | 4' Min. | 8' Max. | |
| D) | 5' Min. | 9' Max. | |
| E) | 6' Min. | 10' Max. | |

Please note minimum 1 foot between 90° elbows is required.

VENT RESTRICTOR SETTING:
Vent restrictor factory set at Set 1, no adjustment required.

Horizontal Venting with Three (3) 90° Elbows NG and LP



One 90° elbow = Two 45° elbows.

| Option | V | H | V + V1 | H + H1 | With these options, max. total pipe length is 30 feet with min. of 11 feet total vertical and max. 9 feet total horizontal. |
|--------|---------|---------|----------|---------|---|
| A) | 2' Min. | 1' Max. | 3' Min. | 2' Max. | |
| B) | 2' Min. | 2' Max. | 5' Min. | 4' Max. | |
| C) | 3' Min. | 2' Max. | 7' Min. | 5' Max. | |
| D) | 4' Min. | 3' Max. | 9' Min. | 6' Max. | |
| E) | 5' Min. | 4' Max. | 10' Min. | 7' Max. | |
| F) | 6' Min. | 6' Max. | 11' Min. | 9' Max. | |

Please note min. 1 foot between 90° elbows is required.

VENT RESTRICTOR SETTING:
Vent restrictor factory set at Set 1, no adjustment required.

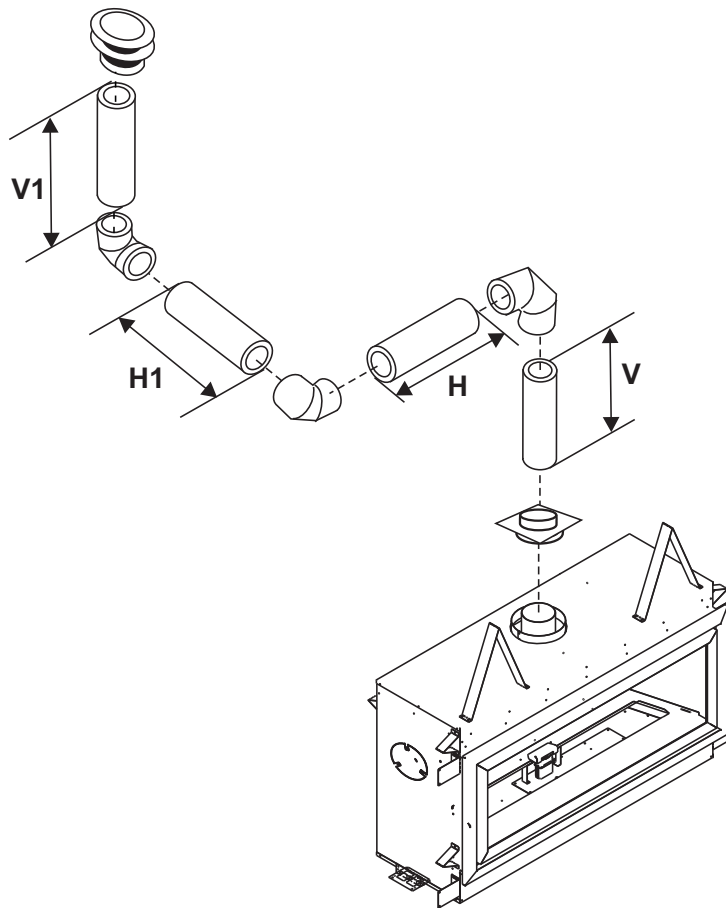
INSTALLATION

Vertical Venting with Three (3) 90° Elbows NG and LP

One 90° elbow = Two 45° elbows.

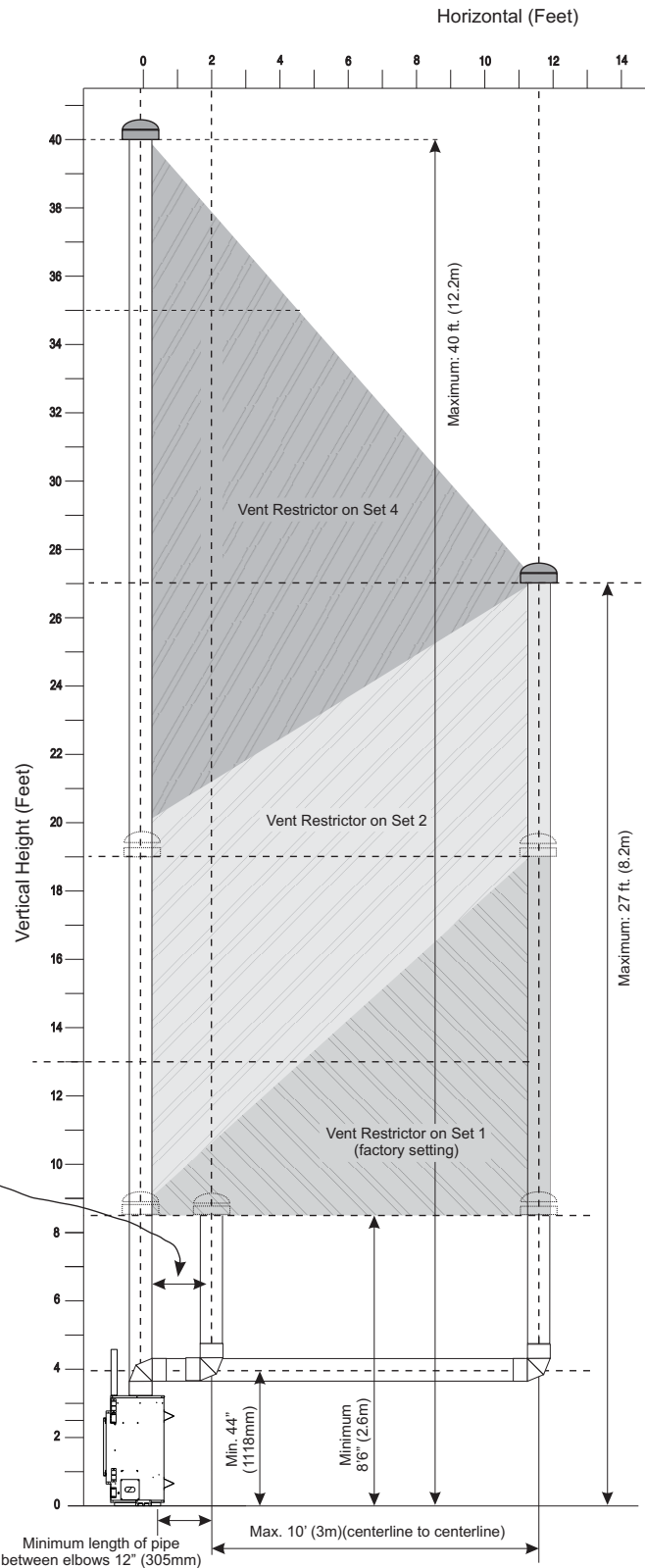
| Option | V | H + H1 | V + V1 | With these options, max. total pipe length is 30 feet with min. of 9 feet total vertical and max. 8 feet total horizontal. <i>Please note min. 1 foot between 90° elbows is required.</i> |
|--------|---------|---------|---------|--|
| A) | 2' Min. | 2' Max. | 4' Min. | |
| B) | 3' Min. | 4' Max. | 6' Min. | |
| C) | 4' Min. | 5' Max. | 7' Min. | |
| D) | 5' Min. | 6' Max. | 8' Min. | |
| E) | 6' Min. | 8' Max. | 9' Min. | |

VENT RESTRICTOR SETTING:
Vent restrictor factory set at Set 1, no adjustment required.



VENTING ARRANGEMENTS ALLOWABLE VERTICAL TERMINATIONS FOR HZ54E-NG

The shaded area in the diagram shows all allowable combinations of straight vertical and offset to vertical terminations, using two 90° elbows, with **Rigid Pipe Venting Systems** for Natural Gas. Two 45° elbows equal to one 90° elbow. Maximum of four 45° elbows allowed.



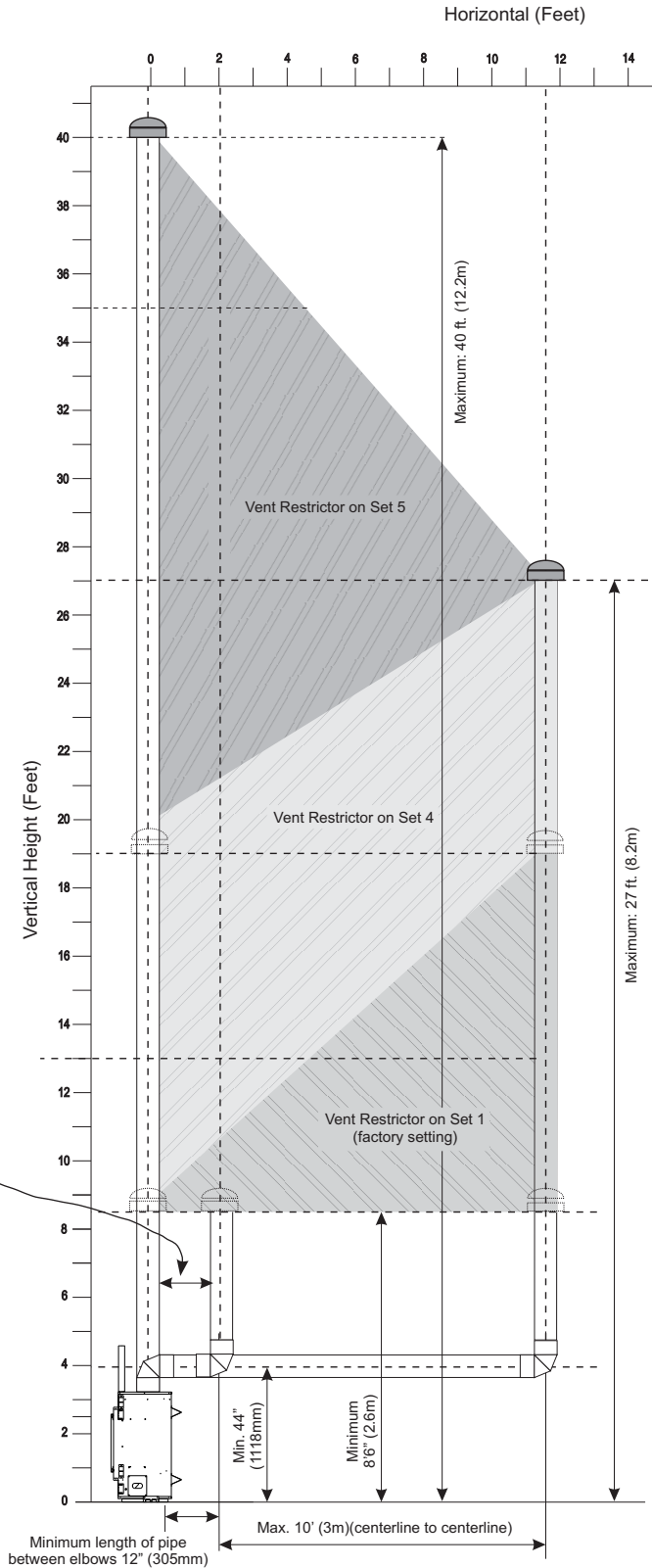
Please note min. 1 foot between 90° elbows is required.

- Vent must be supported at offsets.
- Firestops are required at each floor level and whenever passing through a wall.
- Maintain clearances to combustibles as listed in the "Clearances" section.
- Refer to the "Vent Restrictor Position" section for details on how to change the vent restrictor from the factory setting of Set 1 to Set 2 or Set 4 if required.

Note: Must use optional flue adaptor when using Rigid Pipe (Part # 770-994).

VENTING ARRANGEMENTS ALLOWABLE VERTICAL TERMINATIONS FOR HZ54E-LP

The shaded area in the diagram shows all allowable combinations of straight vertical and offset to vertical terminations, using two 90° elbows, with **Rigid Pipe Venting Systems** for Propane. Two 45° elbows equal to one 90° elbow. Maximum of four 45° elbows allowed.



Please note min. 1 foot between 90° elbows is required.

- Vent must be supported at offsets.
- Firestops are required at each floor level and whenever passing through a wall.
- Maintain clearances to combustibles as listed in the "Clearances" section.
- Refer to the "Vent Restrictor Position" section for details on how to change the vent restrictor from the factory setting of Set 1 to Set 4 or Set 5 if required.

Note: Must use optional flue adaptor when using Rigid Pipe (Part # 770-994).

UNIT INSTALLATION WITH HORIZONTAL TERMINATION (Rigid Vent Systems)

A top clearance of 3" (76mm) and side & bottom clearance of 2" (51mm) must be maintained; except when passing through a wall, ceiling, or at the termination where the use of a firestop or wall thimble reduces the required clearance to 1-1/2" (38mm). We recommend framing a 11" (279mm) x 11" (279mm) (inside dimensions) hole to give structural rigidity for mounting the termination.

Install the vent system according to the manufacturer's instructions included with the components.

- 1) Set the unit in its desired location. Check to determine if wall studs or roof rafters are in the way when the venting system is attached. If this is the case, you may want to adjust the location of the unit. Rough in the gas preferably on the right side of the unit.
- 2) Direct Vent pipe and fittings are designed with special twist-lock connections to connect the venting system to the appliance flue outlet. A twist-lock appliance adaptor is required.
- 3) In conjunction with the Simpson Direct Vent Pro system, install the adaptor after the unit is set in its desired location. Put a bead of high temperature silicone inside the outer section of the adaptor and a bead of Mill Pack on the inner collar. Slip the adaptor over the existing inner and outer flue collar. Fasten to the outer collar only with the 3 supplied screws (drilling pilot holes will make this easier).
- 4) Level the fireplace and fasten it to the framing using nails or screws through the top and side nailing strips.
- 5) Assemble the desired combination of pipe and elbows to the appliance adaptor and twist-lock for a solid connection.

Note: For best results and optimum performance with each approved venting system, it is highly recommended to apply "Mill-Pac" sealant (supplied) to every inner pipe connection. Failure to do so may result in drafting or performance issues not covered under warranty. Silicone (red RTV) is optional.

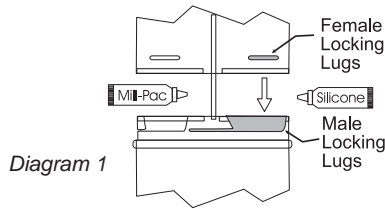


Diagram 1

Horizontal runs of vent must be supported every 3 feet (0.9meter). Wall straps are available for this purpose.

- 6) Mark the wall for a 11" x 11" (279mm x 279mm) square hole. The center of the square hole should line up with the center-line of the horizontal pipe. Cut and frame the 11 inch (279mm) square hole in the exterior wall where the vent will be terminated. See diagram 2 for center line requirements.

If the wall being penetrated is constructed of non-combustible material, i.e. masonry block or concrete, an 8" (203mm) diameter hole is acceptable.

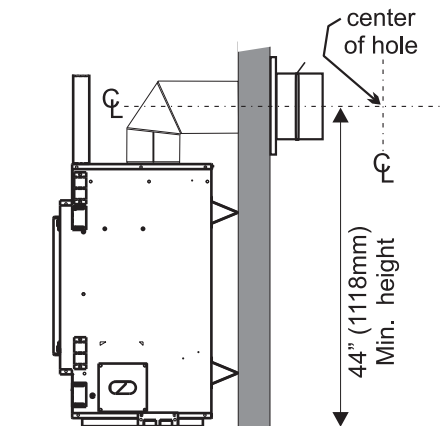


Diagram 2

Note:

- a) The horizontal run of vent must be level, or have a 1/4 inch rise for every 1 foot of run towards the termination. Never allow the vent to run downward. This could cause high temperatures and may present the possibility of a fire.
- b) The location of the horizontal vent termination on an exterior wall must meet all local and national building codes, and must not be blocked or obstructed. See "Exterior Vent Termination Locations" section for more details.

- 7) Ensure that the pipe clearances to combustible materials are maintained (Diagram 5). Install the termination cap.

Note: If installing termination on a vinyl siding covered wall, a vinyl siding standoff or furring strips must be used to ensure that the termination is not recessed into the siding.

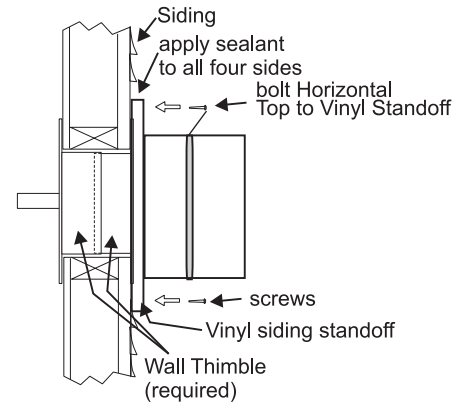


Diagram 5

The four wood screws provided should be replaced with appropriate fasteners for stucco, brick, concrete, or other types of sidings.

- 8) Before connecting the horizontal run of vent pipe to the vent termination, slide the Wall Thimble over the vent pipe. The wall thimble is required for all horizontal terminations.
- 9) Slide the appliance and vent assembly towards the wall carefully inserting the vent pipe into the vent cap assembly. It is important that the vent pipe extends into the vent cap sufficient distance so as to result in a minimum pipe overlap of 1-1/4 inches (32mm). Secure the connection between the vent pipe and the vent cap.
- 10) Install wall thimble in the center of the 11" (279mm) square and attach with wood screws (Diagram 7).

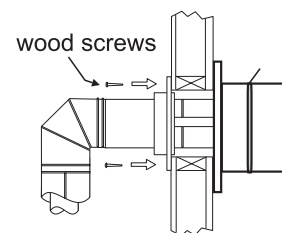


Diagram 7

UNIT INSTALLATION WITH VERTICAL TERMINATION (Rigid Vent Systems)

Note: A clearance of 2"(51mm) must be maintained; except when passing through a wall, ceiling, or at the termination where the use of a firestop or wall thimble reduces the required clearance to 1-1/2" (38mm). We recommend framing a 11"(279mm) x 11"(279mm) (inside dimensions) hole to give structural rigidity for mounting the termination.

1) Maintain the 1-1/2" (38mm) clearances (air spaces) to combustibles when passing through ceilings, walls, roofs, enclosures, attic rafter, or other nearby combustible surfaces, ensuring that the use of a firestop or wall thimble is used as noted above. Do not pack air spaces with insulation. Check "Venting Arrangement - Vertical Termination" section for the maximum vertical rise of the venting system and the maximum horizontal offset limitations.

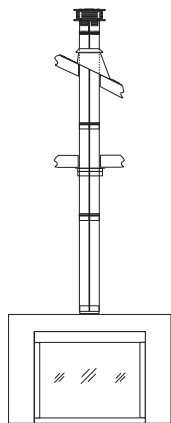


Diagram 1

2) Set the gas appliance in its desired location. Drop a plumb bob from the ceiling to the position of the appliance flue exit, and mark the location where the vent will penetrate the ceiling. Drill a small hole at this point. Next, drop a plumb bob from the roof to the hole previously drilled in the ceiling, and mark the spot where the vent will penetrate the roof. Determine if ceiling joists, roof rafters or other framing will obstruct the venting system. You may wish to relocate the appliance or to offset, as shown in Diagram 2 to avoid cutting load bearing members.

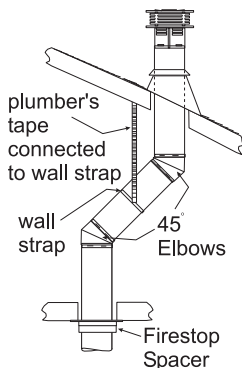


Diagram 2

3) A Firestop spacer must be installed in the floor or ceiling of every level.

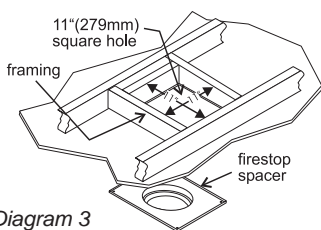
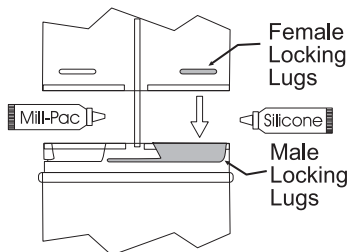


Diagram 3

4) Assemble the desired lengths of pipe and elbows. Ensure that all pipes and elbow connections are in the fully twist-locked position and sealed.

Note: For best results and optimum performance with each approved venting system, it is highly recommended to apply "Mill-Pac" sealant to every inner pipe connection. Failure to do so may result in drafting or performance issues not covered under warranty. Silicone (red RTV) is optional.



5) Cut a hole in the roof centered on the small drilled hole placed in the roof in Step 2. The hole should be of sufficient size to meet the minimum requirements for clearance to combustibles of 1-1/2"(38mm). Slip the flashing under the shingles (shingles should overlap half the flashing) as per Diagram 4.

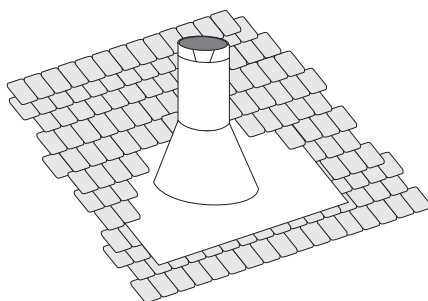


Diagram 4: The upper half of the flashing is installed under the roofing material and not nailed down until the chimney is installed. This allows for small adjustments.

6) Continue to assemble pipe lengths.

Note: If an offset is necessary in the attic to avoid obstructions, it is important to support the vent pipe every 3 feet (0.9 meter), to avoid excessive stress on the elbows, and possible separation. Wall straps are available for this purpose (Diagram 2).

Galvanized pipe is desirable above the roofline due to its higher corrosion resistance. Continue to add pipe sections through the flashing until the height of the vent cap meets the minimum height requirements specified in Diagram 5 or local codes. Note that for steep roof pitches, the vertical height must be increased.

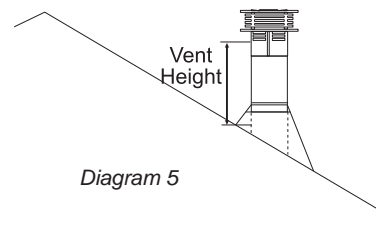


Diagram 5

| Roof Pitch | Minimum Vent Height | |
|---------------------|---------------------|--------|
| | Feet | Meters |
| flat to 7/12 | 2 | 0.61 |
| over 7/12 to 8/12 | 2 | 0.61 |
| over 8/12 to 9/12 | 2 | 0.61 |
| over 9/12 to 10/12 | 2.5 | 0.76 |
| over 10/12 to 11/12 | 3.25 | 0.99 |
| over 11/12 to 12/12 | 4 | 1.22 |
| over 12/12 to 14/12 | 5 | 1.52 |
| over 14/12 to 16/12 | 6 | 1.83 |
| over 16/12 to 18/12 | 7 | 2.13 |
| over 18/12 to 20/12 | 7.5 | 2.29 |
| over 20/12 to 21/12 | 8 | 2.44 |

A poor draft, or down drafting can result from high wind conditions near big trees or adjoining roof lines, in these cases, increasing the vent height may solve the problem.

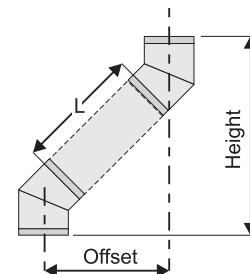
7) Ensure vent is vertical and secure the base of the flashing to the roof with roofing nails, slide storm collar over the pipe section and seal with a mastic.

8) Install the vertical termination cap by twist-locking it.

Note: Any closets or storage spaces, which the vent passes through must be enclosed.

Offset Chart

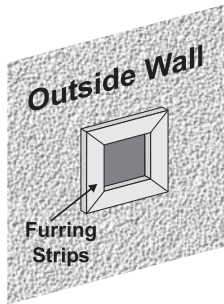
| GS 8"(203mm) Nominal Diameter ID | | | | | |
|----------------------------------|-----|-----------------|------|--------|------|
| Offset | | Pipe Length (L) | | Height | |
| inches | mm | inches | mm | inches | mm |
| 4 3/4 | 121 | 0 | 0 | 13 1/4 | 337 |
| 9 | 229 | 6 | 152 | 17 1/2 | 445 |
| 11 1/4 | 286 | 9 | 229 | 19 1/2 | 495 |
| 13 1/4 | 337 | 12 | 305 | 21 3/4 | 552 |
| 21 3/4 | 552 | 24 | 610 | 30 1/4 | 768 |
| 30 1/4 | 768 | 36 | 914 | 39 | 991 |
| 38 | 965 | 48 | 1219 | 47 | 1194 |



UNIT INSTALLATION HORIZONTAL TERMINATION WITH FLEX VENT SYSTEM

Note: A top clearance of 3" (76mm) and side & bottom clearance of 2" (51mm) must be maintained; except when passing through a wall, ceiling, or at the termination where the use of a firestop or wall thimble reduces the required clearance to 1-1/2" (38mm). We recommend framing a 11" (279mm) x 11" (279mm) (inside dimensions) hole to give structural rigidity for mounting the termination.

- 1) Locate the unit in the framing, rough in the gas (preferably on the right side of the unit). Locate the centerline of the termination and mark wall accordingly. Cut an 11" (279mm) hole in the wall (inside dimension).



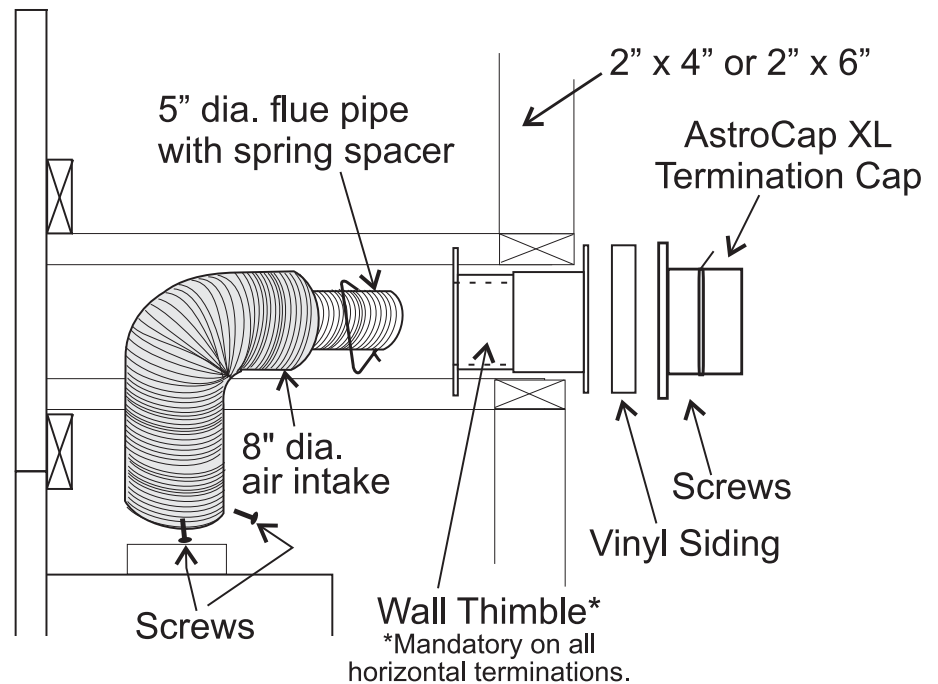
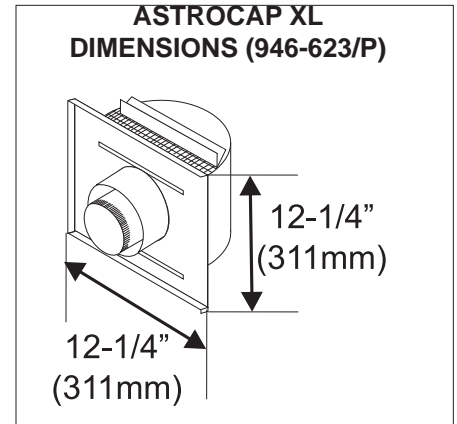
Note: If installing termination on a siding covered wall, a vinyl siding standoff or vinyl furring strips must be used to ensure that the termination is not recessed into the siding.

- 2) Level the fireplace and fasten it to the framing using nails or screws through the nailing strips.
- 3) Assemble the vent assembly by applying Mill Pac to the 5" (127mm) inner collar of the termination and slipping the 5" (127mm) liner over it at least 1-3/8" (35mm). Fasten with the 3 screws (drilling pilot holes will make this easier). Apply Mill Pac or high temperature silicone to the 8" (203mm) flex pipe and slip it over the 8" outer collar of the vent terminal at least 1-3/8" (35mm) and fasten with the 3 screws.

NOTE: Horizontal sections must be supported at intervals not exceeding 3 feet (0.9 meter). (Flame picture and performance will be affected by sags in the liner).

- 4) Separate the 2 halves of the wall thimble and securely fasten the one with the tabs to the outside wall making sure that the tabs are on top and bottom. Fasten the other thimble half to the inside wall. The thimble halves slip inside each other and can be adjusted for 2 x 4 or 2 x 6 walls.
- 5) Slip the assembled liner and termination assembly through the thimble making sure the termination cap faces up (there are markings on the cap that show which way is up). This will position the termination cap with proper down slope for draining water. Fasten the cap to the outer wall with the 4 supplied screws.
- 6) Pull the centre 5" (127mm) liner and outer 8" (203mm) liner out enough to slip over the flue collars of the fireplace. (You may wish to cut the liner shorter to make it more workable.) Do not bend liner more than 90°. **The liners must slip over the collars a minimum of 1-3/8".**
- 7) Apply Mill Pac over the fireplace inner collar and slip the 5" (127mm) liner down over it and attach with 3 supplied screws.
- 8) Do the same with the 8" (203mm) liner.
- 9) Apply a bead of silicone between the thimble and termination and around the outer edge of the terminal at the wall in order to keep the water out.

IMPORTANT: Do not locate termination hood where excessive snow or ice buildup may occur. Be sure to check vent termination area after snow falls, and clear to prevent accidental blockage of venting system. When using snow blowers, make sure snow is not directed towards vent termination area.



INSTALLATION

| HZ54E-NG1 SYSTEM DATA | |
|---------------------------|-------------------------|
| Min. Supply Pressure | 5" WC (1.25 kpa) |
| Low Setting Man. Pressure | 1.6" WC (0.40kpa) |
| Max. Manifold Pressure | 3.5" WC (0.87 kpa) |
| Orifice Size | #30 DMS |
| Minimum Input | 29,000 Btu/h (8.50 kW) |
| Maximum Input | 41,500 Btu/h (12.16 kW) |

| HZ54E-LP1 SYSTEM DATA | |
|---------------------------|-------------------------|
| Min. Supply Pressure | 12" WC (2.98 kpa) |
| Low Setting Man. Pressure | 6.4" WC (1.59kpa) |
| Max. Manifold Pressure | 10" WC (2.49 kpa) |
| Orifice Size | #49 DMS |
| Minimum Input | 30,000 Btu/h (8.79 kW) |
| Maximum Input | 37,000 Btu/h (10.84 kW) |

HIGH ELEVATION

This unit is approved for altitude 0 to 4500 ft. (CAN1 2.17-M91).

GAS LINE INSTALLATION

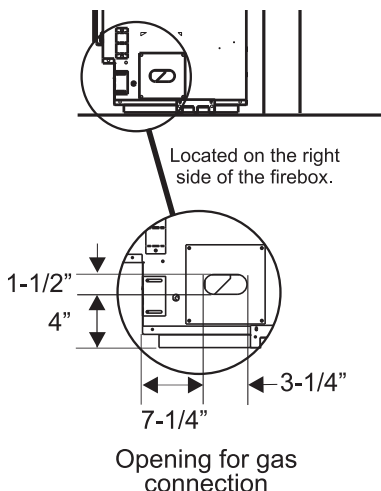
Since some municipalities have additional local codes it is always best to consult with your local authorities and the CAN/CGA B149 installation code.

For USA installations follow local codes and/or the current National Fuel Gas Code, ANSI Z223.1.

When using copper or flex connectors use only approved fittings. Always provide a union so that gas lines can be easily disconnected for servicing. Flare nuts for copper lines and flex connectors are usually considered to meet this requirement.

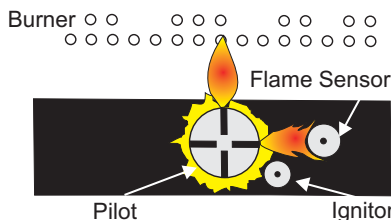
NOTE: A shutoff / dante valve should be supplied in or near the unit (or as per local codes) for ease of servicing this appliance.

IMPORTANT: Always check for gas leaks with a soap and water solution or gas leak detector. Do not use open flame for leak testing.



PILOT ADJUSTMENT

Periodically check the pilot flames. Correct flame pattern has two strong blue flames: 1 flowing around the flame sensor and 1 flowing across the burner (it does not have to be touching the burner).



Note: If you have an incorrect flame pattern, contact your Regency® dealer for further instructions.

Incorrect flame pattern will have small, probably yellow flames, not coming into proper contact with the rear burner or flame sensor.

GAS PIPE PRESSURE TESTING

The appliance must be isolated from the gas supply piping system by closing its individual manual shut-off valve during any pressure testing of the gas supply piping system at test pressures equal to or less than 1/2 psig. (3.45 kPa). Disconnect piping from valve at pressures over 1/2 psig.

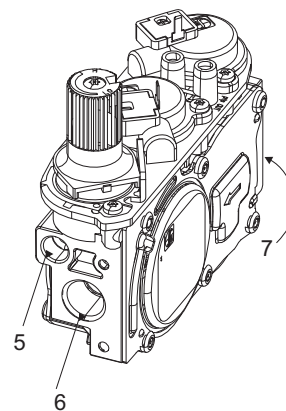
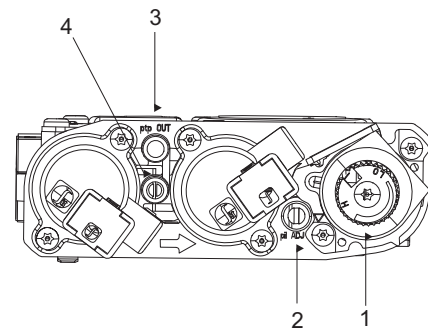
The manifold pressure is controlled by a regulator built into the gas control, and should be checked at the pressure test point.

Note: To properly check gas pressure, both inlet and manifold pressures should be checked using the valve pressure ports on the valve.

- 1) Make sure the valve is in the "OFF" position.
- 2) Loosen the "IN" and/or "OUT" pressure tap(s), turning counterclockwise with a 1/8" wide flat screwdriver.
- 3) Attach manometer to "IN" and/or "OUT" pressure tap(s) using a 5/16" ID hose.
- 4) Light the pilot and turn the valve to "ON" position.
- 5) The pressure check should be carried out with the unit burning and the setting should be within the limits specified on the safety label.
- 6) When finished reading manometer, turn off the gas valve, disconnect the hose and tighten the screw (clockwise) with a 1/8" flat screwdriver. **Note: Screw should be snug, but do not over tighten.**

886 S.I.T. VALVE DESCRIPTION

- 1) Manual high/low adjustment
- 2) Pilot adjustment
- 3) Outlet Pressure Tap
- 4) Inlet Pressure Tap
- 5) Pilot Outlet
- 6) Main Gas Outlet
- 7) Main Gas Inlet



VALVE COVER REMOVAL

The valve cover will need to be removed to access the valve tray (see valve tray replacement) and also to access the DBFC (see Battery + ON/OFF switch installation).

- 1) Remove Faceplate and glass door if installed.
- 2) The valve cover is located on the right side underneath the glass door - loosen 2 screws securing the valve cover (see Diagram 1 below).



Valve cover

Diagram 1

- 4) Lift the cover up off the screws and out of the unit.
- 5) To install - reverse steps.



Diagram 3

- 3) Slide the valve cover upward.



Diagram 2

AERATION ADJUSTMENT

The burner aeration is factory set but may need adjusting due to either the local gas supply or altitude. Open the air shutter for a blue flame or close for a more yellow flame.

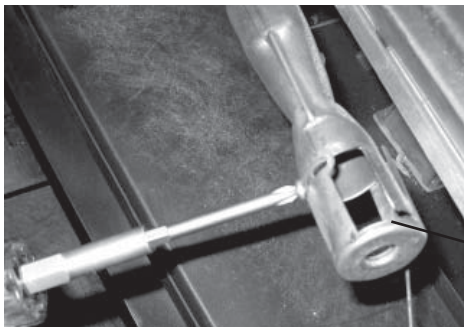
For instructions to remove the burner for access to the ventury cap, see pages 46-47 in this manual.

Minimum Air Shutter Opening:

| | |
|----------------|-----------|
| NG | 1/2" |
| NG with Logs | Full open |
| NG with Stones | Full open |
| LP | 1/2" |
| LP with Logs | Full open |
| LP with Stones | Full open |

CAUTION: Carbon will be produced if air shutter is tightly closed.

Note: Any damage due to carboning resulting from improperly setting the aeration controls is NOT covered under warranty.



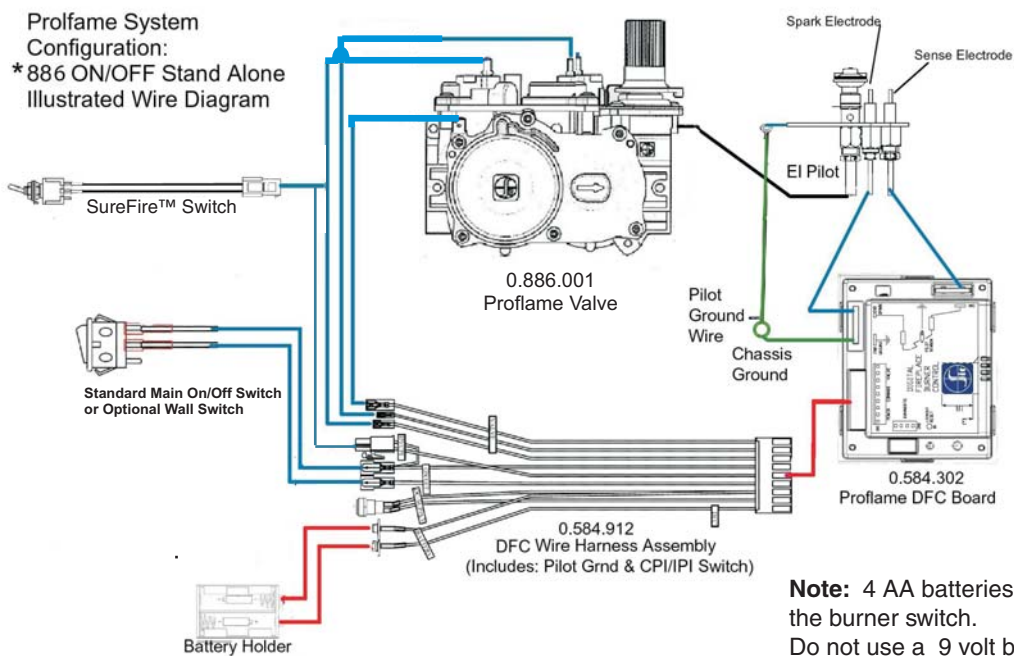
Venturi Cap

WIRING DIAGRAM

This heater does not require a 120V A.C. supply for operation. In case of a power failure, the burner switch and the optional remote control/thermostat will continue to operate. However, a 120V A.C. power supply is needed for the fan/blower operation.

(Do not cut the ground terminal off under any circumstances.)

NOTE: Even if the fan is not purchased with the unit, it is still a good idea to bring power to the receptacle box (provided with the unit) in case the fan is installed at a later date.



IMPORTANT: If the optional remote control is used, the AA batteries normally installed into the battery holder must be removed. The AA batteries in the receiver now operate the unit. Having AA batteries in both the battery holder and receiver will damage the gas valve.

AC POWER ADAPTOR INSTALLATION (FOR SUREFIRE SYSTEMS)

An optional AC power adaptor may be installed as a constant power source for the SureFire system.

NOTE: AC power adaptor is not required when using GTMF Remote

IMPORTANT: Recommend removing the 4-AA batteries in the SureFire receiver.

This will avoid battery leakage and power drainage. 4-AA Battery pack may be re-installed into receiver during power outages.

NOTE: For all **Gas Fireplaces** 120 volt power must be brought to the **receptacle box** inside the **bottom of the firebox** (provided with the unit).

All Freestanding **Gas Stoves & Gas Inserts** will need a **receptacle box** located **outside / near the unit** so that the AC Power Adaptor can be plugged in.

INSTALL AC ADAPTOR WITH SUREFIRE WALL SWITCH ONLY - (WITHOUT REMOTE)

- 1) Locate "DC Supply" tag on wire harness. For location in unit see remote installation page in owners manual.
- 2) Connect the male end from AC adaptor to the female end tagged "DC Supply" on wiring harness in unit.



- 3) Plug AC adaptor into 120V wall outlet (or into 120V receptacle if installed inside the gas fireplace firebox).
- 4) Neatly tuck any loose AC Power Adaptor wires neatly underneath / inside the appliance.

Note: Ensure that wires do not touch the underside of the firebox (keep wires away from the heat as much as possible).

INSTALL AC ADAPTOR WITH SUREFIRE PROFLAME GT / GTM REMOTE

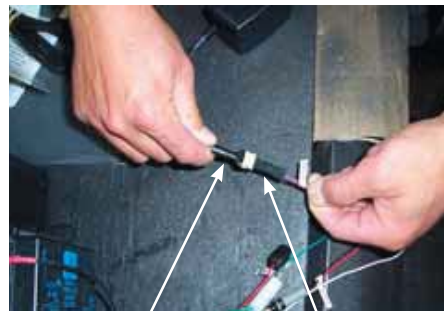
This method also applies for models, HZ30E - HZ40E - L390E - HZI390E

- 1) Connect the male end of the AC adaptor to the female end of the wire adaptor (supplied with AC adaptor) together as shown .
- 3) Plug in wire adaptor to FCM - COM connector - be careful not to damage ends. This only fits one way. Do Not Force in wrong way.



Wire adaptor

AC adaptor



AC adaptor wire adaptor

FCM - COM

- 2) Locate FCM - COM connector on the Remote wire harness - see manual for location in unit.



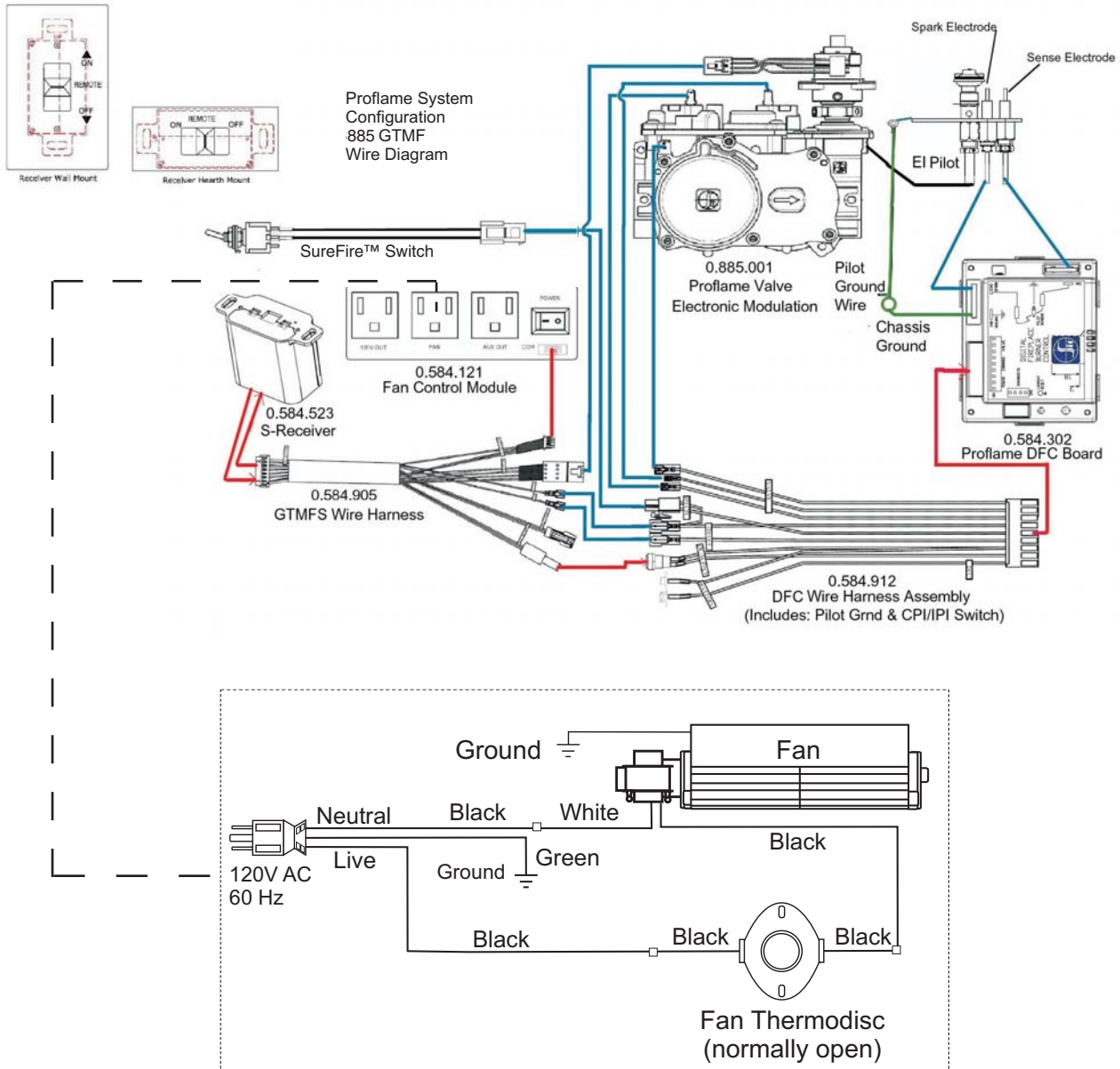
FCM - COM

- 4) Plug AC adaptor into 120V wall outlet (or into 120V receptacle if installed inside the gas fireplace firebox).
- 5) Neatly tuck any loose AC Power Adaptor wires neatly underneath / inside the appliance.

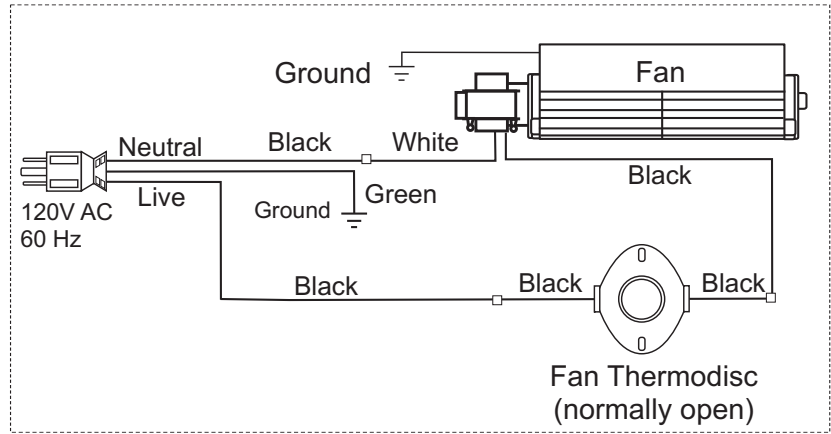
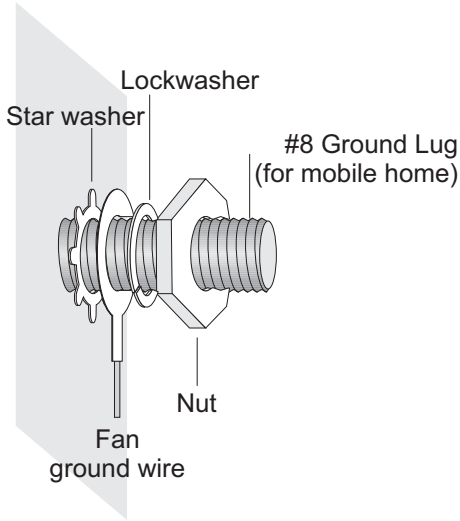
Note: Ensure that wires do not touch the underside of the firebox (keep wires away from the heat as much as possible).

INSTALLATION

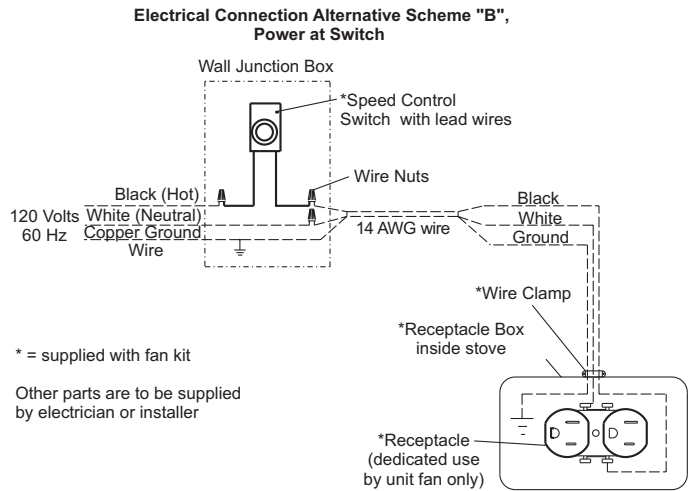
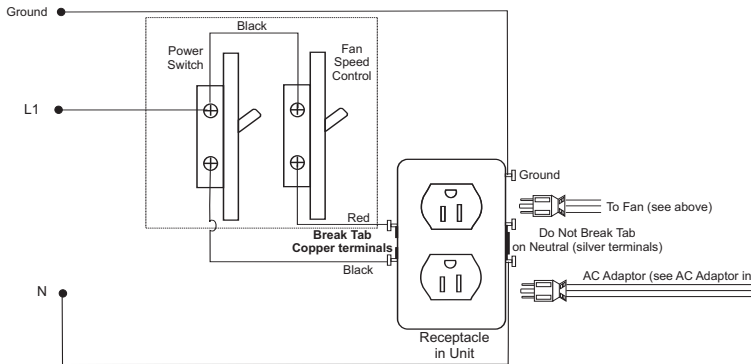
PROFLAME SYSTEM GTMF WITH OPTIONAL FAN



**OPTIONAL FAN WIRING DIAGRAM
WITHOUT PROFLAME GTMF SYSTEM**



NOTE: Wiring schematics for HZ54E (120 Volts), plug-in fan circuit with speed control switch on wall.



Caution: Ensure that the wires do not touch any hot surfaces and are away from sharp edges.

INSTALLATION

Optional WALL THERMOSTAT

A wall thermostat may be installed if desired, connect the wires as per the wiring diagram. Use table below to determine the maximum wire length.

Note: Preferable if the thermostat is installed on an interior wall.

Regency® offers an optional programmable thermostat but any 250-750 millivolt rated non-anticipator type thermostat that is CSA, ULC or UL approved may be used.

CAUTION
Do not wire millivolt wall thermostat wires to 120V wire.

Thermostat Wire Table

| Recommended Maximum Lead Length (Two-Wire) When Using Wall Thermostat (CP-2 System) | |
|---|-------------|
| Wire Size | Max. Length |
| 14 GA. | 50 Ft. |
| 16 GA. | 32 Ft. |
| 18 GA. | 20 Ft. |
| 20 GA. | 12 Ft. |
| 22 GA. | 9 Ft. |

Optional REMOTE CONTROL

Use the Regency® Remote Control Kit approved for this unit. Use of other systems may void your warranty.

The remote control kit comes with a hand held transmitter, a receiver and a wall mounting plate.

1) Choose a convenient location on the wall to install the receiver and the receptacle box (protection from extreme heat is very important). Run wires from the fireplace to that location. Use Thermostat Wire Table.

CAUTION
Do not wire millivolt remote control wires to 120V wire.

2) Connect the two wires to the IPI wire harness .See wiring diagrams. Optional wall switch GT/GTM using wire 0.584.907.

3) Install 3 AAA alkaline batteries in the transmitter and 4 AA alkaline batteries in the receiver. Install the receiver and it's cover in the wall. Switch the remote receiver to "remote" mode. The remote control is now ready for operation.

WALL SWITCH (Included with Unit)

1) Run the supplied 10' of wire through the right or left side gas inlet opening. Be careful not to damage wire.

Note: We recommend a maximum of 10' of wire but if you wish to go with a longer run, use the Thermostat Wire Table.

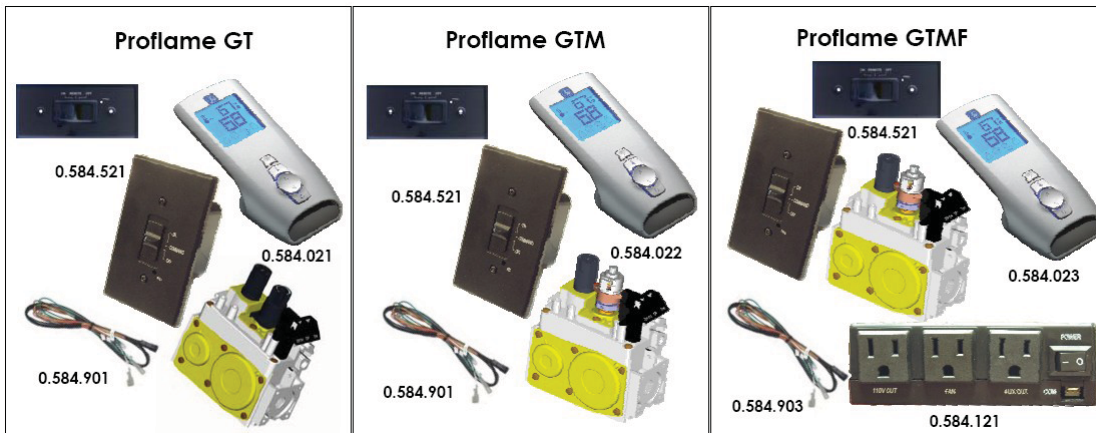
2) Connect the wire to the wall switch and install into the receptacle box (supplied). Also attach wires to the valve as shown below.

CAUTION
Do not wire millivolt wall switch wire to 120V wire.

584 Proflame GT Series Feature Sheet

| Feature | Icon | Proflame GT | Proflame GTM | Proflame GTMF |
|---|------|-------------|----------------|----------------|
| Room Temperature Display | | X | X | X |
| Child Lock | | X | X | X |
| Low Battery | | X | X | X |
| On/Off Thermostat | | X | X | X |
| Flame On/Off Only | | X | | |
| Flame ON/Off & Modulation (6 Levels) ¹ | | | X ¹ | X ¹ |
| Smart Thermostat | | | X | X |
| Fan Speed Control (6 Levels) | | | | X |
| On/Off Auxillary Outlet (110V) | | | | X |
| Constant (110V) Outlet | | | | X |

(X) Indicates Included Feature



Note 1 ~ Proflame Flame Modulator for GTM & GTMF Remote Controls are sold separately. Choice of NG or LP flame modulator (to match unit fuel type). See Regency Retail Price pages for complete details

Note 2 ~ FPI Proflame Remote Controls come standard with white wall mount switch & cover plate.

INSTALLATION

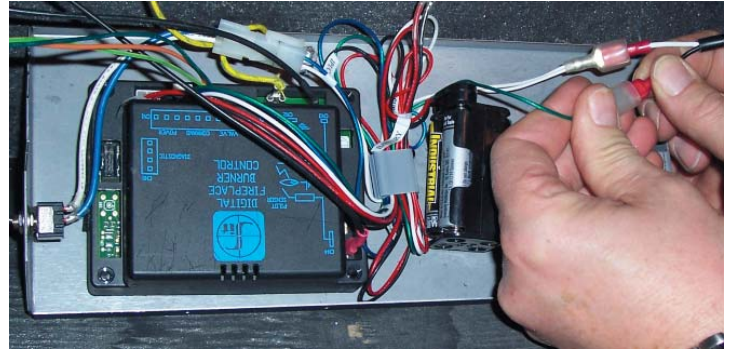
BATTERY & ON | OFF SWITCH INSTALLATION

DFBC = digital fireplace burner control

- 1) Remove glass door and valve cover (see valve cover removal section in this manual) to access to DFBC & battery pack.
- 2) Lift DFBC and battery pack up and out.

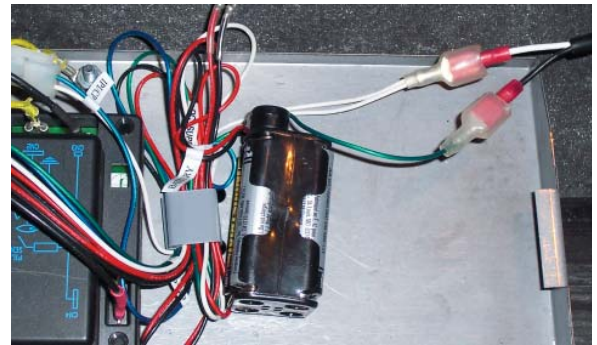
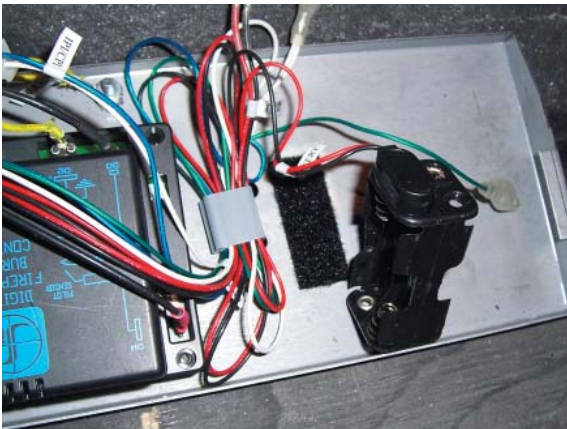


- 5) Locate the Green and White from the DFBC module wire harness; connect the spade connectors from the On/Off switch. Green to Black and White to White.

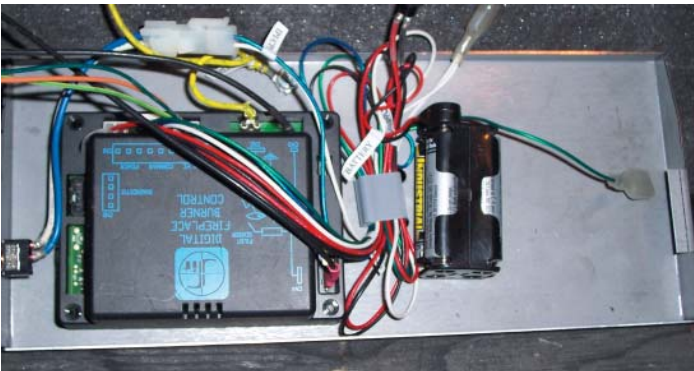


- 6) Reinstall the module and battery pack tray into the holder

- 3) Disconnect connector from battery holder and remove from tray – (battery holder is attached by Velcro to tray).



- 4) Install - 4 AA batteries, reconnect the connector to the battery pack and put back onto Velcro strip



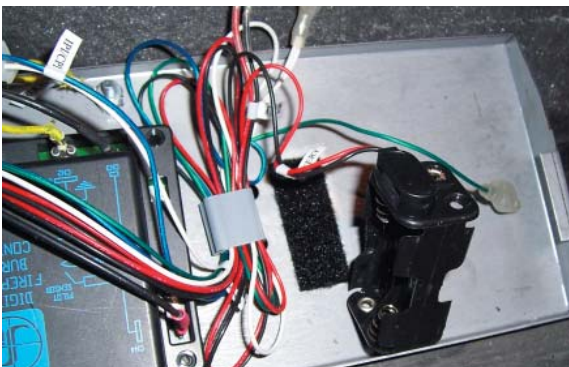
GT REMOTE INSTALLATION

DFBC = digital fireplace burner control

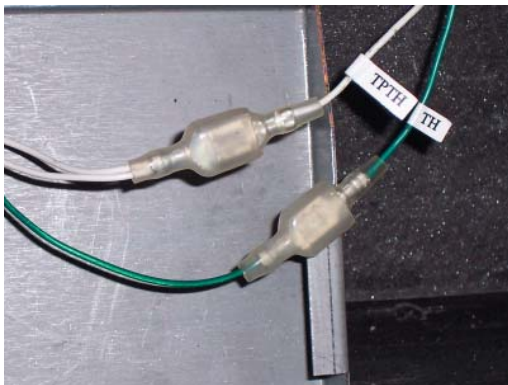
- 1) Remove glass door to access to DFBC & battery pack tray.
- 2) Lift DFBC and battery pack up and out.



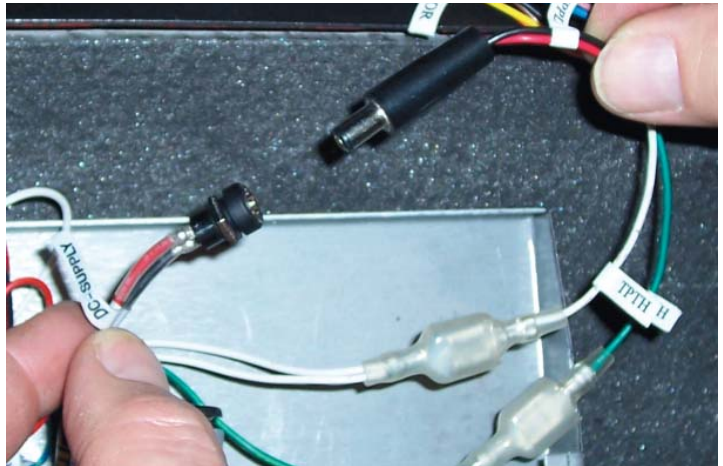
- 3) Disconnect connector from battery holder and remove from tray – (battery holder is attached by Velcro to tray).



- 4) Remove the 4 AA batteries if installed, reconnect the connector to the battery pack and put back onto Velcro strip
- 5) Locate the Green and White wires from the DFBC module wire harness; connect the spade connectors from the receiver wire harness, (TH) Green to (DFBC) Green and (TH/TP) White to (DFBC) White



- 6) Locate the DFC wire from the receiver wire harness and connect to the DC supply wire from the DFBC.



Note: DO NOT USE 4 AA batteries in the battery pack on the tray - the DFBC is now powered by the receiver batteries in the wall.

INSTALLATION

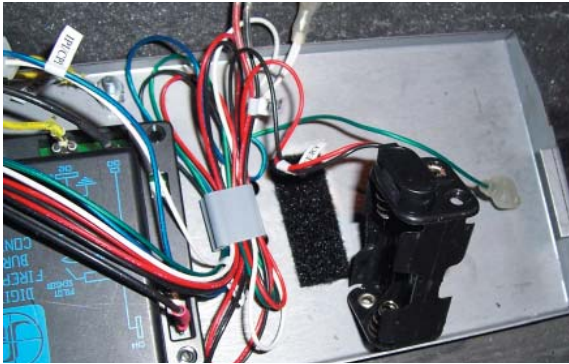
GTM REMOTE INSTALLATION

DFBC = digital fireplace burner control

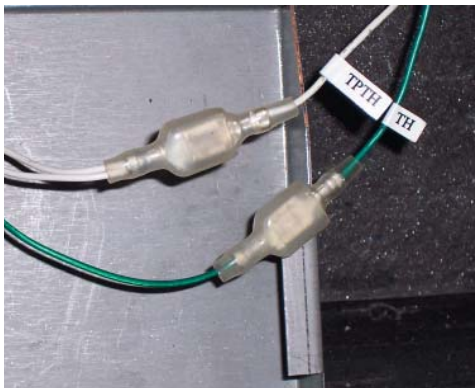
- 1) Remove the faceplate and glass door to access to DFBC & battery pack tray.
- 2) Lift DFBC and battery pack up and out.



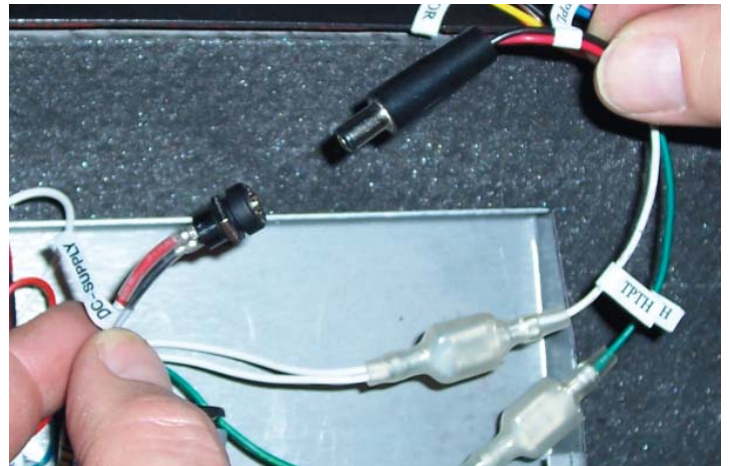
- 3) Disconnect connector from battery holder and remove from tray – (battery holder is attached by Velcro to tray).



- 4) Remove the 4 AA batteries if installed, reconnect the connector to the battery pack and put back onto Velcro strip
- 5) Locate the Green and White wires from the DFBC module wire harness; connect the spade connectors from the receiver wire harness, (TH) Green to (DFBC) Green and (TH/TP) White to (DFBC) White



- 6) Locate the DFC wire from the receiver wire harness and connect to the DC supply wire from the DFBC.

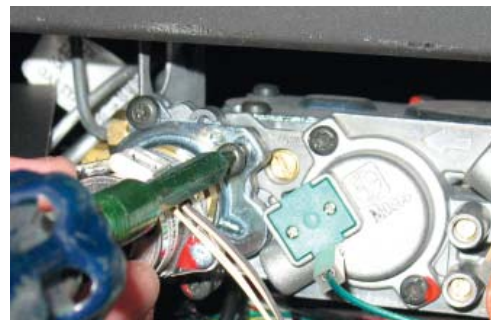


Note: DO NOT USE 4 AA batteries in the battery pack on the tray - the DFBC is now powered by the receiver batteries in the wall.

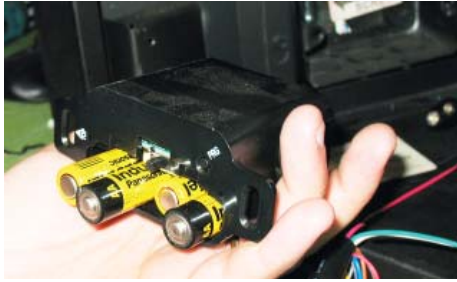
- 7) Remove the hi/lo knob from the valve head, if installed, by removing 2 screws as shown below.



- 8) Install the stepper motor in the same location the hi/lo knob was removed from - with 2 screws as shown below.



- 9) Install 4 - AA batteries into the receiver, ensure correct polarity.



- 10) Plug receiver wires into the back of the receiver and bundle wires with the wire clip as shown below.



Wire Clip

- 11) Connect GTM motor wire from the stepper motor to the wire connector from the receiver wire harness.



- 12) Program Receiver and transmitter (refer to manual)

Note: DO NOT USE 4 AA batteries in the battery pack on the tray; the DFBC is now powered by the receiver batteries in the wall.

INSTALLATION

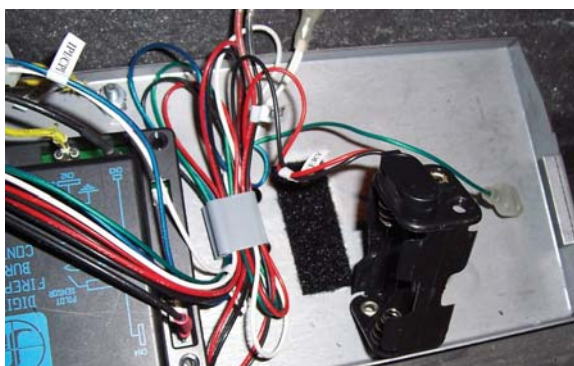
GTMF REMOTE INSTALLATION

DFBC = digital fireplace burner control

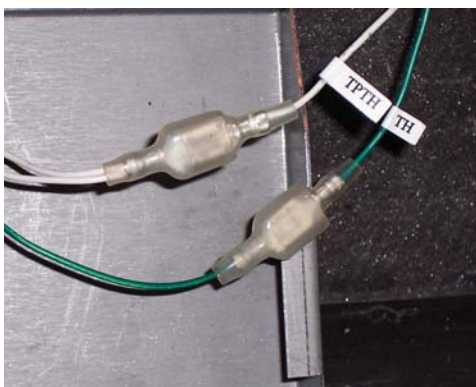
- 1) Remove the faceplate and glass door to access to DFBC & battery pack tray.
- 2) Lift DFBC and battery pack up and out.



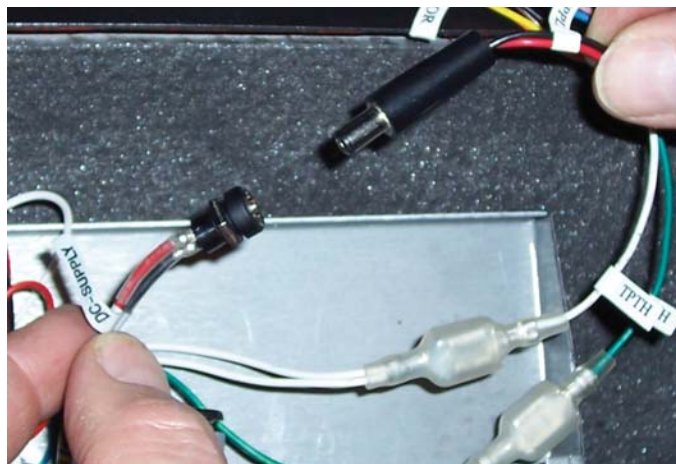
- 3) Disconnect connector from battery holder and remove from tray – (battery holder is attached by Velcro to tray).



- 4) Remove the 4 AA batteries if installed, reconnect the connector to the battery pack and put back onto Velcro strip
- 5) Locate the Green and White wires from the DFBC module wire harness; connect the spade connectors from the receiver wire harness, (TH) Green to (DFBC) Green and (TH/TP) White to (DFBC) White



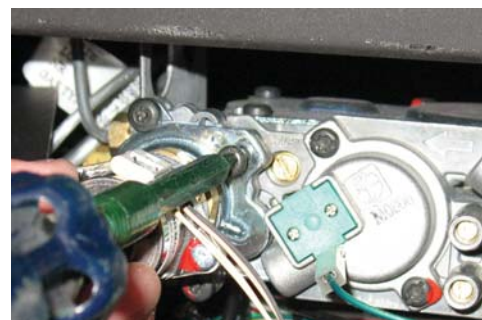
- 6) Locate the DFC wire from the receiver wire harness and connect to the DC supply wire from the DFBC. (insert pictures)



- 7) Remove the hi/lo knob from the valve head, if installed, by removing 2 screws as shown below.



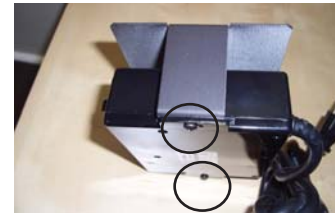
- 8) Install the stepper motor in the same location the hi/lo knob was removed from - with 2 screws as shown below.



- 9) Install 4 - AA batteries into the receiver.



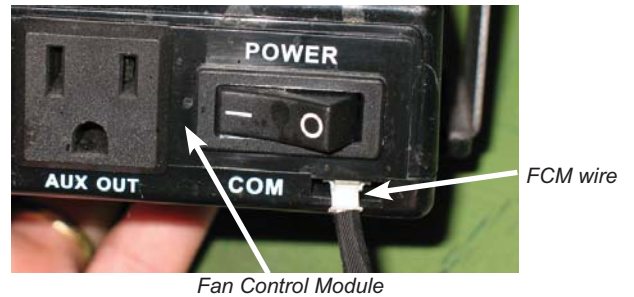
- 12) Before installing the fan control module, install the heat shield on the control module by securing with 2 screws.



- 10) Plug 'motor' wires into the back of the receiver and bundle wires with the wire clip - as shown below.



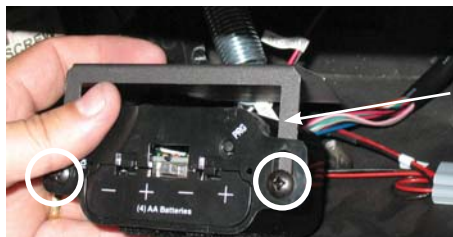
- 13) From the wire harness, plug the FCM wire into the fan control module.



- 14) Install the fan control module onto the velcro pad located on the floor of the unit located left of the receiver.



- 11) Install the heat shield to the receiver with two screws and attach to the floor of the unit with a velcro pad.



Heat shield

- 15) Plug fan control module into receptacle located on the left hand side of unit.

- 16) Match the remote control to the receiver - see remote control instructions.

- 17) Reverse step 1.

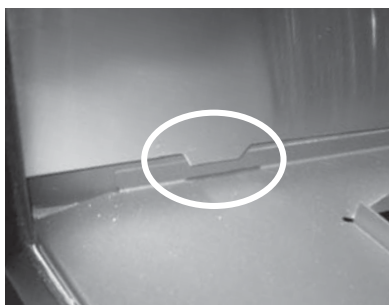
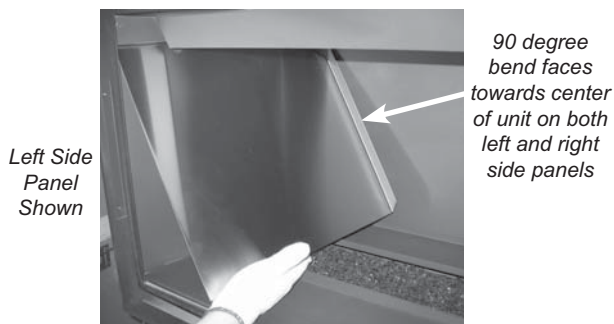
- 18) Check to ensure there are no gas leaks..

OPTIONAL REFLECTIVE PANEL INSTALLATION

Before installation, panels must be handled and cleaned as per instructions noted below:

| Stainless Steel Panels | Black Enamel Panels |
|--|---|
| <ul style="list-style-type: none"> Stainless panels must be inspected for scratches and dimples prior to installation. All claims to be recorded at this time. Claims for damage after installation will not receive consideration. | <ul style="list-style-type: none"> Black Enamel panels must be inspected for scratches and dimples prior to installation. All claims to be recorded at this time. Claims for damage after installation will not receive consideration. |
| <ul style="list-style-type: none"> Use a hair dryer to remove the protective coating from the panels. | |
| <ul style="list-style-type: none"> To protect the finish during installation and handling - cotton gloves MUST be worn at all times while handling the panels. | |
| <ul style="list-style-type: none"> Stainless panels will discolor a little during normal operation. This is normal and should not be considered a defect. | <ul style="list-style-type: none"> Black Enamel panels will discolor a little during normal operation. This is normal and should not be considered a defect. |
| <ul style="list-style-type: none"> * All hand and finger marks MUST be cleaned off with a soft cloth and a stainless steel cleaner. Most stainless steel cleaners leave a film/residue on the surface of the panels. Use an ammonia based cleaner (ie. glass cleaner) to remove this film before applying heat to the unit. Failure to do this will result in burn stains on panels which you will be unable to remove. Not protected by product warranty. | <ul style="list-style-type: none"> * All hand and finger marks MUST be cleaned off with a soft cloth. Use an ammonia based cleaner (ie. glass cleaner) to remove any fingerprints before applying heat to the unit. Failure to do this will result in burn stain on panels which you will be unable to remove. Not protected by product warranty. |

- 1) Position the left side panel in place - **top of panel in first**, then fit the bottom tab into the slot at the bottom of the firebox as shown below. Repeat for right side panel.



- 2) Fit the back panel into position by clearing the pilot shield - **bottom of panel goes in first**.

Then fit the tabs on the bottom left and right side of the back panel into the slots at the base of the firebox.

Secure the back panel in place by placing the brackets over the screws on the top of the inside left and right side of the firebox and tighten the screw to hold the bracket against the back panel shown below.



GLASS CRYSTALS OR OPTIONAL STONES INSTALLATION ON BURNER

IMPORTANT NOTE:

Only the supplied approved Glass Crystals and Stones are to be used with these fireplaces. Use of any other type of glass crystals or stones can alter the unit's performance, any damage caused by the use of any unapproved glass or stones will not be covered under warranty.

When using Ceramic Spa/Volcanic Stones **DO NOT** cover burner ports or pilot light that lead to pilot flame.

| BURNER PACKAGES | | |
|--|---------------------------------------|---|
| Unit | *Glass Crystals | Stones - Spa / Ceramic / Volcanic |
| E18 | 5lbs | 5lb Glass + 70 spa stones or 1 Box Volcanic stones |
| GF900C (AUS) | 10lbs (2lbs burner + 8lbs firebox) | 10 lb Glass + 32 Volcanic Stones |
| HZ54E | 3 lbs | 1 lb Glass + 2 packages (140 Spa Stones) 2 lb Glass + 35 Ceramic Stones or 2 lb Glass + 40 Volcanic Stones |
| HZ42 / HZ42E | 2 lbs | 1 lb Glass + 1 package (70 Spa Stones) |
| HZ42ST / HZ42STE | 2 lbs | 1 lb Glass + 1 package (70 Spa Stones) |
| HZ30E ** | 1 lb | 1 lb Glass + 1 package (70 Spa Stones)** / 1 lb Glass + 30 Volcanic Stones 1 lb Glass + 24 Ceramic Stones |
| HZ40E | 2lbs | 1.5 lb Glass + 30 Ceramic Stones or 1.5 lb Glass + 25 Volcanic Stones |
| HZ33CE | 4lbs | 4 lb Glass + 1 package (70 Spa stones) 4 lb Glass + 20 Volcanic Stones 4 lb Glass + 16 Ceramic Stones |
| HZI234E *** | 3/4 lb | 3/4 lb Glass + 1 package 70 Spa Stones*** |
| HZI390EB / HZI390PB | 7 lbs [4 lbs burner + 3 lbs firebox] | 2 lb Glass + 1 package (70 Spa Stones) |
| HZI540EB HZI540PB | 10 lbs [5 lbs burner + 5 lbs firebox] | 10 lb Glass + 1 package (70 Spa Stones) / 2 lb Glass + 40 Volcanic Stones 2 lb Glass + 30 Ceramic Stones |
| HZO42/HZO42 (AUS) | 3 lbs | 3 lb Glass + 35 Volcanic stones |
| HZO42 (AUS) | 3 lbs | 3 lb Glass + 50 Garden Stones |
| HZ965 | 12 lbs | 2 package Spa Stones = (140 spa stones) |
| PTO28CIT | 5 lbs | 5 lb Glass + 14 Volcanic Stones (Recommended) |
| PTO28 Burner Only | 6 lbs | 6 lb glass + 14 Volcanic Stones (Recommended) |
| PTO30 / Plateau Series | 10 lbs | 1 Box Volcanic Stones |
| PTO60 | 20 lbs | 2 Boxes Volcanic Stones |
| <p>NOTE: * Glass Crystals are not supplied with the unit. Must purchase separately - see quantities above. Glass Crystals are available in 1lb and 5lb bags. Note: 1 Spa stone package contains 70 stones. ** Recommended - use only 40 of the 70 spa stones on the HZ30E burner. *** Recommended - use only 24 of the 70 spa stones on the HZI234E burner.</p> | | |

OPTIONAL PEBBLES / GLASS CRYSTAL INSTALLATION FOR FIREBOX BASE (AROUND BURNER)

There are 2 optional packages to choose from to cover the firebox base:

- 1) Natural River Pebbles
- 2) Glass Crystals (4 colors available)

Spread the pebbles / crystals evenly on the exposed base of the firebox. Pebbles are **NOT** to be placed anywhere on the burner or over top of the Glass Crystals or optional Stones.

IMPORTANT NOTE: Only the supplied and approved pebbles / glass crystals are to be used with these fireplaces. Use of any other type of pebbles, glass crystals or other material can create a danger and will void the warranty.

| Firebox (Around Burner) Packages | | |
|----------------------------------|----------------|-----------------------------------|
| Unit | Glass Crystals | Pebbles |
| HZ54E / HZ54EPV | 6 lbs | 2 packages (6 x bags pebbles) |
| HZ42 / HZ42E / HZ40E | 5 lbs | 2 packages (6 x bags pebbles) |
| HZ42ST / HZ42STE / HZ42STEPV | 5 lbs | 2 package (6 x bags pebbles) |
| HZ30E | 2 lbs | 1 package (3 x bags pebbles) |
| HZI540E | 3 lbs | 1-2/3 packages (5 x bags pebbles) |
| HZI390E /HZI390PB | 3 lbs | 1 package (3 x bags pebbles) |
| HZI234E | 2 lbs | 1 package (3 x bags pebbles) |
| HZO42 / HZO42 (AUS) | 3 lbs | 1 package (3 x bags pebbles) |

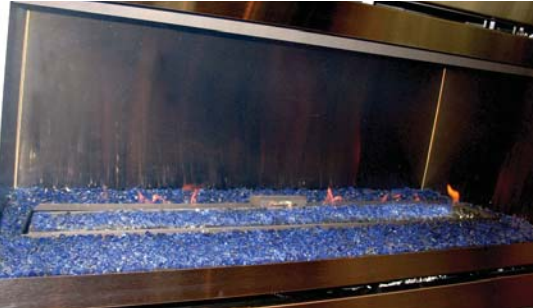
INSTALLATION



*Glass Crystals shown on Burner
For Units HZ54E, , HZ42ST, HZ42STE, HZI234E, HZ42E, HZ42,
HZ30E,
HZO42, HZO42 (AUS) PTO30, PTO60, Plateau Series*



*Optional Spa Stones + Glass Crystals shown on burner.
For Units HZ54E, HZ42ST, HZ42STE, HZI234E, HZ42, HZ42E,
HZ30E*



Glass Crystals shown surrounding the Burner



Natural River Pebbles shown surrounding the a Horizon Burner



*Glass Crystals shown on Burner and Firebox Floor
For Units HZI390E, HZI540E*



DO NOT block pilot area with glass crystals

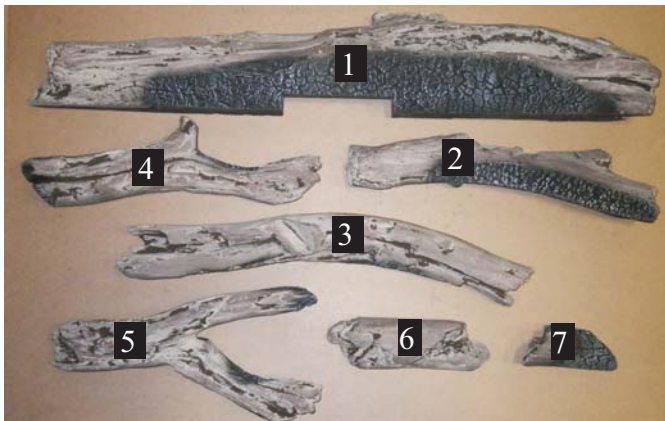
OPTIONAL DRIFTWOOD LOG SET INSTALLATION

Read the instructions below carefully and refer to the images. If the logs are broken do not use the unit until they are replaced. Broken logs can interfere with pilot operation.

Improper positioning of the logs may create carbon build-up and can alter the unit's performance which is not covered under warranty.

*Satin black paint is included if touch ups are required.

| | |
|---|--|
| 1 | Rear Log |
| 2 | Left Log |
| 3 | Right Log |
| 4 | Left Cross Log |
| 5 | Right Cross Log |
| 6 | Front Left Log Piece |
| 7 | Front Right Log Piece |
| | Lava embers |
| | Pilot Hood - HZ54E only |
| | Log placement template - one each HZ54E /HZ40E |



1. Shut off gas and electrical supply, allow unit to cool to room temperature.
2. Remove flush glass door (see manual).
3. Carefully remove the logs from the packaging and unwrap them. The logs are fragile, handle with care -never force into position.
4. Ensure glass crystals are installed on the burner.
HZ54E = 2lbs HZ40E=1.5lbs
5. **HZ54E only**- Remove existing pilot hood - replace with pilot hood provided with log set.

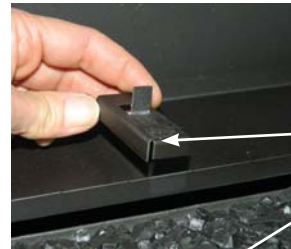


HZ54E - existing Pilot Hood



HZ54E - new Pilot Hood

6. Clip on log guides - position approximately 5" on either side of the pilot hood.



Log guides



7. Install Rear Log (1), by positioning cut out over pilot hood.



8. Push the rear log gently back, until it hits the log guides.



Log 1 in position

9. Place log placement template on the front floor of the unit. Ensure L and R sides are in the correct position. Secure template in place with magnets (supplied) on each side.



HZ40E - log placement template - shown in place.

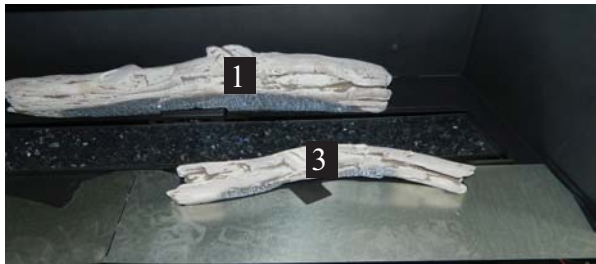
INSTALLATION

10. Position Left Log (2) by matching the log and template profiles exactly.



HZ54E shown - Left Log (2) positioned to match template profile.

11. Position Right Log (3) by matching the log and template profiles exactly.



HZ54E shown - Right Log (3) positioned to match template profile.

12. Position Left Cross Log (4) on Log 1, match up pin landing as per reference below, rest bottom of Log 2 on Log 3 plus match log profile with template profile.



*HZ54E pin landing
HZ40E pin landing*



HZ54E shown - Left Cross Log (4) positioned to match template profile.

13. Position Right Log (5) by lining pin on Logs 1 with pin landing on Log 3, match bottom of Log 5 and template profile.

14. Carefully remove log placement template.



*Match pin and pin landing
Logs 1 and 3.*

15. Place Front Left log piece on firebox floor as shown.



HZ54E shown - Left Log Piece(6)

16. Place Right Log piece on firebox floor as shown.



HZ54E shown - Right Log Piece(7)

17. If desired, install additional crystals on firebox floor, in and around installed logs.

18. Install lava embers - spread evenly over glass.



Lava embers on glass crystals

19. Reverse steps 1 and 2.

20. Adjust aeration settings - see unit manual for settings.



HZ54E shown - Completed Install



HZ40E shown - Completed Install

OPTIONAL LOG SET INSTALLATION

Installation of Reflective Panels must be completed before installing the log set.

Read the instructions below carefully and refer to the images. If the logs are broken do not use the unit until they are replaced. Broken logs can interfere with pilot operation.

Improper positioning of the logs may create carbon build-up and can alter the unit's performance which is not covered under warranty.

Log kit # 476-930 contains the following pieces:

| Part # | Description |
|--------------|-----------------|
| A x 2 | Log |
| B x 2 | Log |
| C x 2 | Log |
| D x 2 | Log |
| 476-103 x 12 | Pin Clips |
| 946-669 | Platinum Embers |

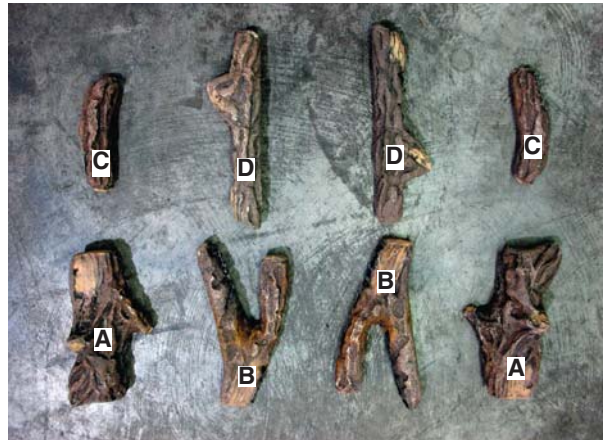


Diagram 1

1) Remove the following if already installed:

- a) Faceplate
- b) Glass Door
- c) Pebbles
- d) Glass Crystals
- e) Stones

Note: Aeration Setting is set at 1/2" from the factory. The following are recommended settings for NG and LP units when using the log set :
 NG = 1/2"
 LP = Full Open

2) Attach the 12 pin clips to the bottom cover (not the burner) in the exact locations indicated by an X, as shown in Diagram 2 below.

Note: Front and back measurements originate from the centre line of burner.
 Side measurements originate from front edge of the bottom cover (see Diagram 3).

Note: Units may have dimples on the burner to indicate pin clip installation points. If dimples are not present on the burner, follow the above directions.

All measurements along the front and back edge originate from centre line.
 Centerline indicated by "V" cut out on the rear edge of the burner.

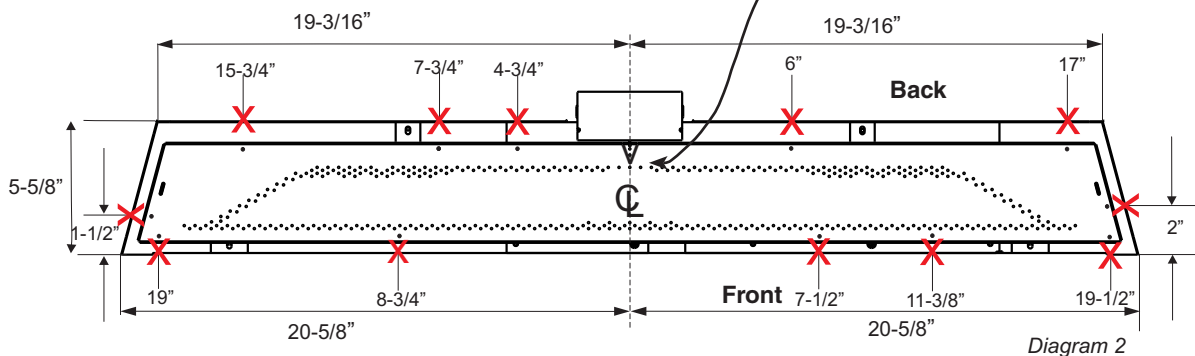
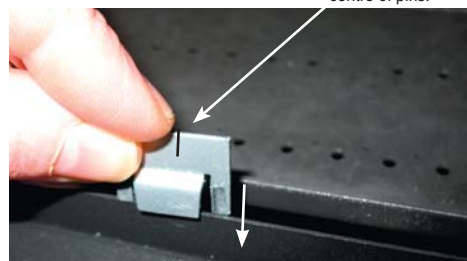
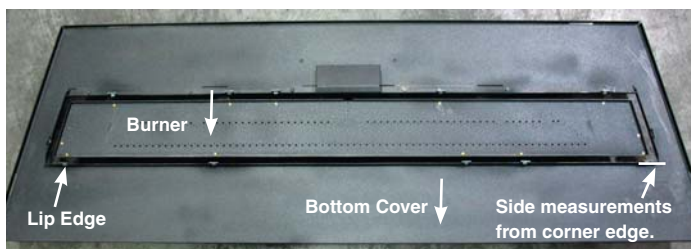


Diagram 2

3) Pin clips are attached to the lip edge of the bottom cover (not the burner) see diagrams 3 & 4.

Measurements to centre of pins.



INSTALLATION

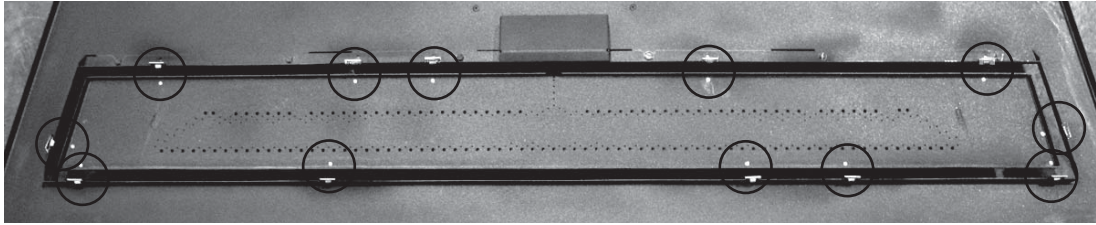


Diagram 5

*Pin clips installed - dots indicate dimple locations.
Actual dimples/pin clips are black - not white as shown

- 4) Install the glass crystals (see glass crystal installation section in this manual).



Diagram 6

- 5) Place platinum embers on glass crystals as shown in diagram 7.



Diagram 7

- 6) If installing optional pebbles - install pebbles before log installation.



Diagram 8

7) Place logs A + B on the burner, rest logs on the pin clips, as shown in diagram 9.

Note: Logs should be oriented exactly as shown in diagram 9.

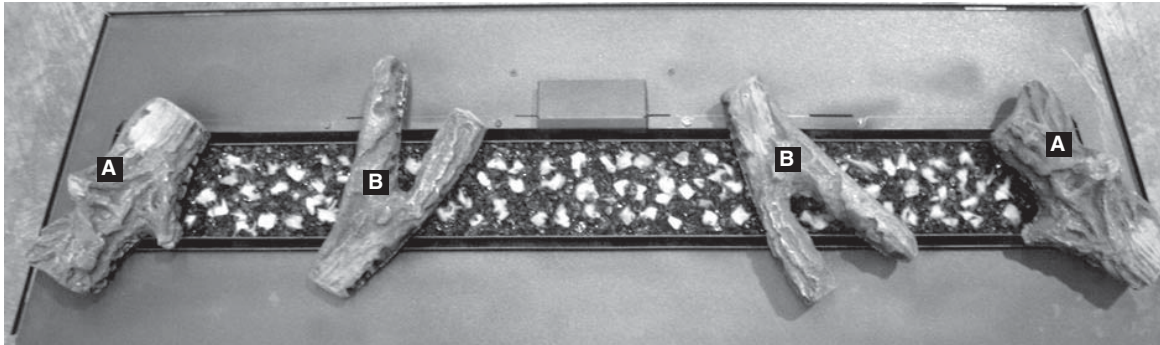


Diagram 9

8) Place logs C + D on logs A + B, as shown in diagram 10.

Note: Logs should be oriented exactly as shown in diagram 10.

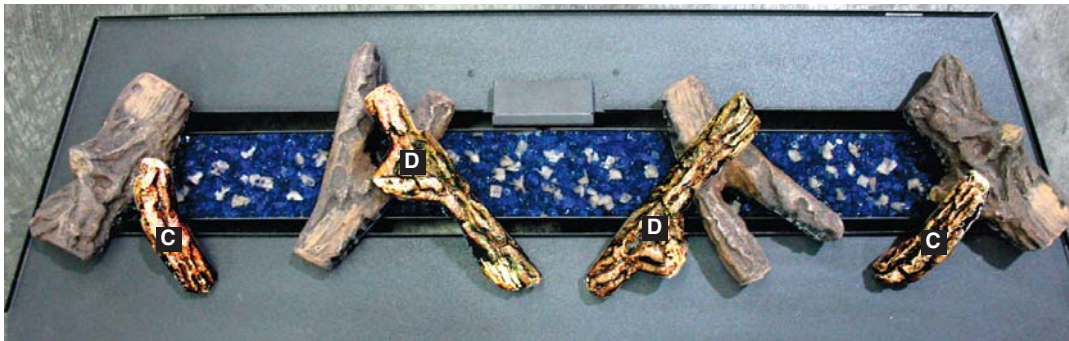


Diagram 10

9) Install the following:

- a) *Glass door
- b) *Faceplate and door frame

*Refer to these sections in the HZ54 manual for detailed instructions.



Log Set Installed (shown with optional pebbles)

Diagram 11

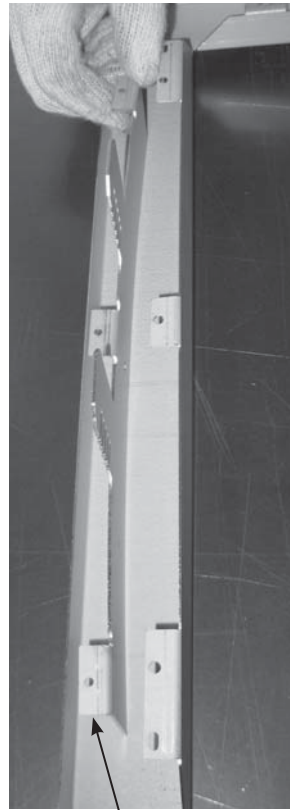
FACEPLATE & DOOR FRAME OVERLAY INSTALLATION

- 1) Install the door frame overlay by hooking the top flange over top of the glass door, push in the bottom of the door frame overlay to secure in place.
- 3) Secure the left side mounting bracket to the backside of the faceplate as shown below. Use 3 screws supplied to secure the mounting bracket in place. Repeat for right side.

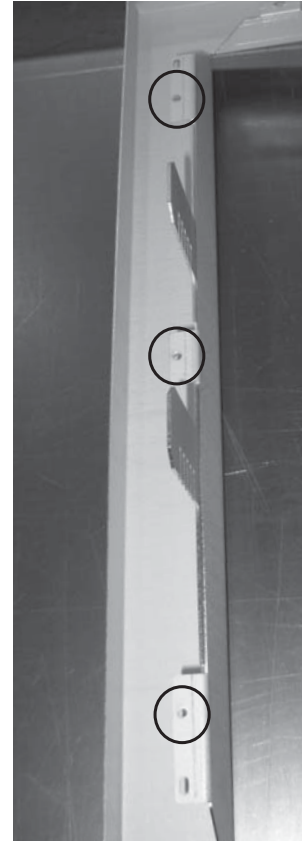


Door Frame Overlay

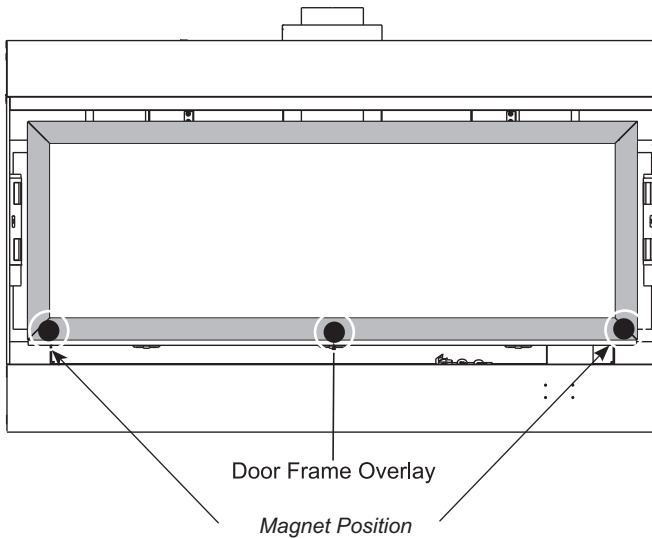
Glass Door



Left Side Mounting Bracket



Mounting Bracket shown in place

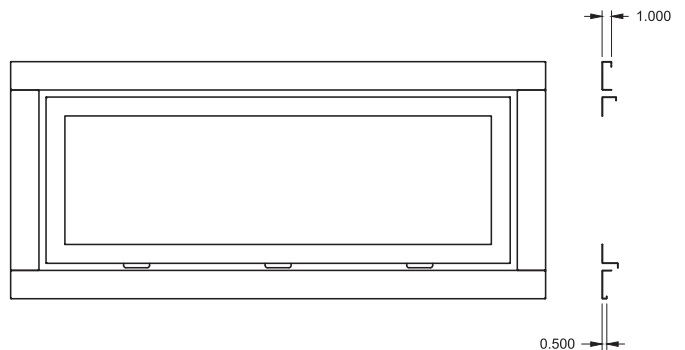


Door Frame Overlay

Magnet Position

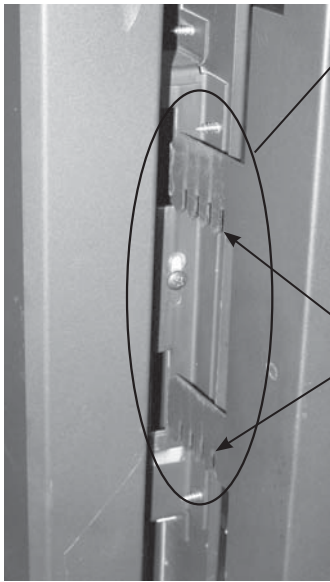
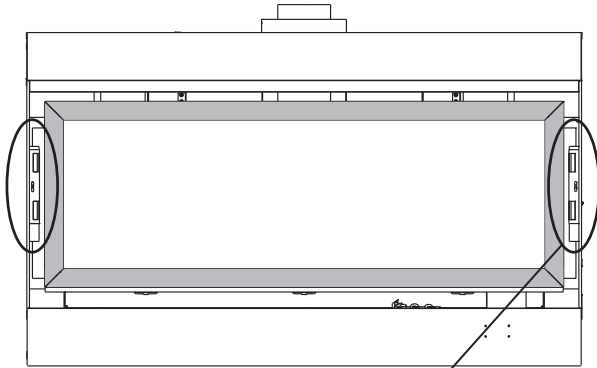
- 2) Place 3 of the supplied magnets on the lower corners of the Door Frame Overlay, this will keep the Faceplate in position after it has been installed.

NOTE: Ensure that the faceplate is positioned correctly when installing the mounting brackets to the faceplate. There is a top and bottom, the top of the faceplate has a full 1" return whereas the bottom only has a 1/2" return as shown in the diagram below.



- 4) Install the faceplate to the unit by hooking the left and right side mounting brackets into the mounting slots at the side of the firebox as shown below. It is recommended that you use the first mounting slot (the one closest to the door frame overlay) out of the 5 so that the faceplate and door frame overlay are flush with one another. See diagram below.

NOTE: There are 5 mounting slots available, this is to accommodate any finishing that protrudes slightly beyond the faceplate.



*First Mounting Slot
(recommended)*

IMPORTANT NOTE

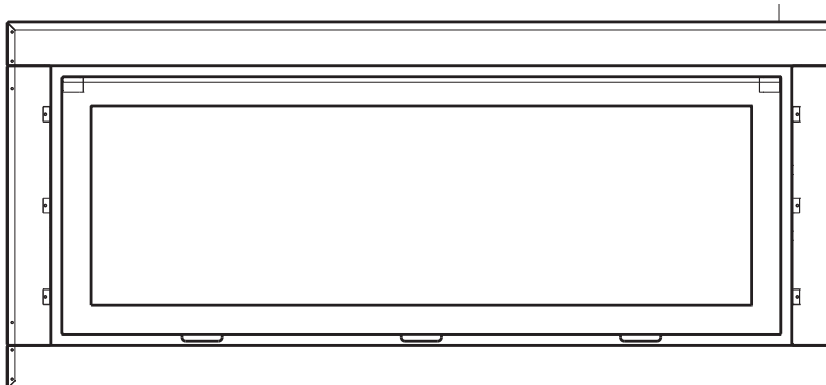
To ensure the gap between the door frame and the faceplate are equal from side to side you may need to slide the faceplate slightly to the left or right accordingly.

Also if necessary, the faceplate may be adjusted up and down by loosening the top screw as shown in the diagram below and sliding the plate up or down as required.



Faceplate Mounting Slots

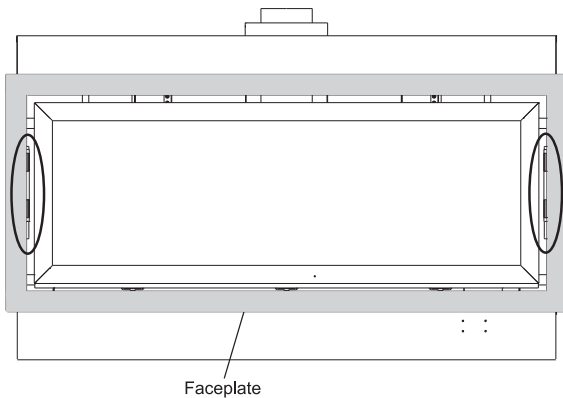
Completed Faceplate & Door Frame Overlay Installation



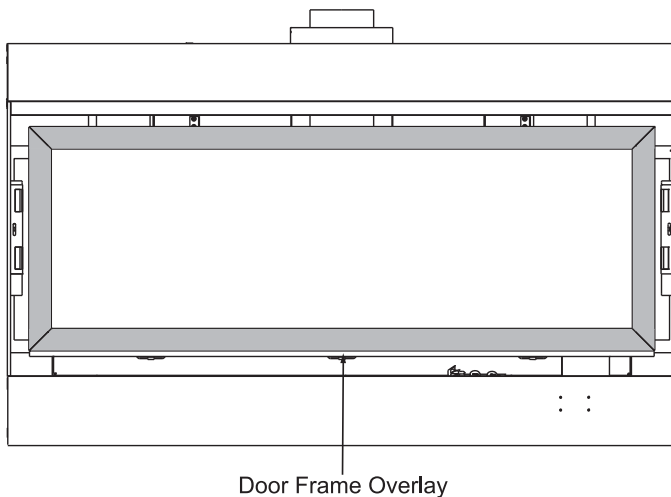
OPTIONAL FAN INSTALLATION

Important: 120 Volt AC power is needed for the fan switch and blower. The receptacle box will be installed on the left hand side of the unit and must be wired by a qualified electrician prior to fan assembly being installed. The neutral(wider) slot of the polarized receptacle should be at the top.

- 1) Turn the unit off and allow it to cool down to room temperature.
- 2) Turn off the gas supply to the unit.
- 3) Remove the faceplate by lifting it up off the hinges on the sides of the firebox.



- 4) Remove the door frame overlay by swinging out 45° from the bottom and lift up and out.



- 5) Remove the glass door.
 - a) Remove cover plates from over each screw by pulling away from magnets each as shown below.

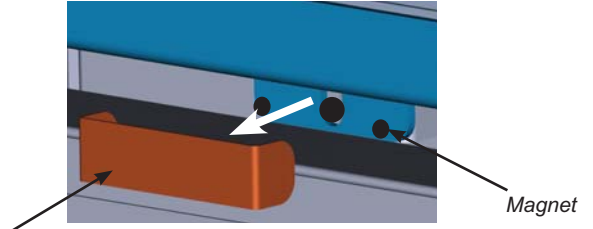
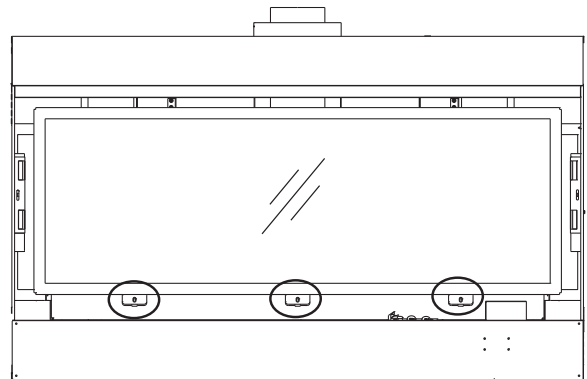


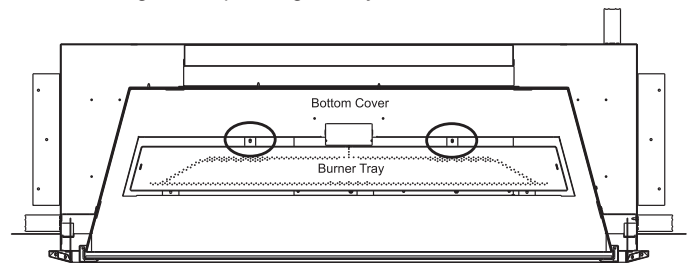
Diagram 4

- b) Remove the 3 screws shown below at the bottom of the glass door.
 - c) Swing the door out 45° from the bottom and lift up and out.



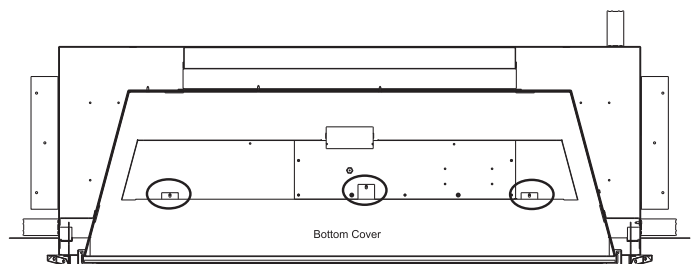
Steps 6 & 7 for NG units only:

- 6) Remove the burner tray by undoing the 2 screws in between the bottom cover and burner on the firebox. Carefully lift the burner up and out ensuring not to spill the glass crystals.



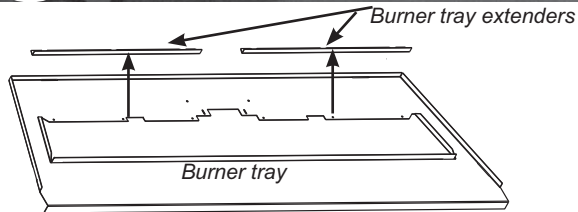
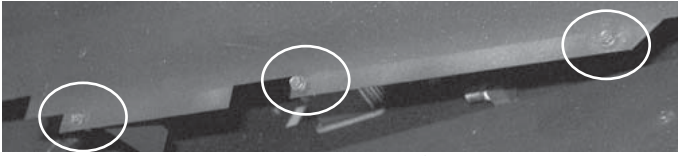
Aerial View of the inside of the unit shown.

- 7) Remove bottom cover by undoing 3 screws securing it to the firebox base, lift up and out.



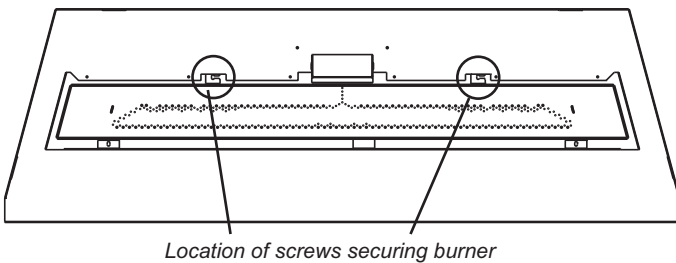
Steps 8 & 9 for NG unit only:

- 8) Loosen 6 screws that secure the burner extenders, on burner tray, located behind the burner on either side of the pilot assembly.
- 9) Lift out the 2 burner tray extenders.



Burner tray extenders

- 10) After extenders have been removed. Remove the 2 screws that secure the burner tray, at the base of the firebox.
- 11) Slide the burner to the left and lift it out.



- 12) Remove 8 screws to remove the fan access panel cover - located on the left hand side floor of the firebox.



Fan Access Panel

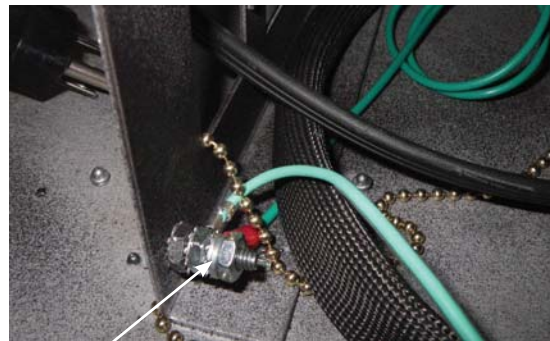
- 13) Manoeuvre the fan into position on the floor of the unit. Tilt the fan to get through the fan access panel and into position.



- 14) Secure the fan to the floor of the unit with 2 screws. *See wiring diagram in manual.

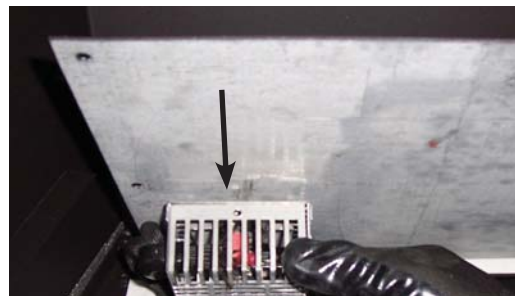


- 15) Attach the ground wire from the fan to the ground lug in the unit. The ground lug is located just in front of the receptacle box on the left side on the floor of the unit. Plug fan
If installing a GTMF system - go to step 20 before proceeding.



Ground Lug

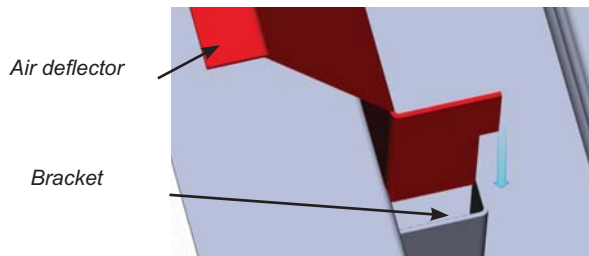
- 16) Slide the thermodisc into the bracket on the bottom side of the fan access panel - check fan access panel gasket - replace if necessary.



INSTALLATION

17) Reverse Steps 8 through 5.

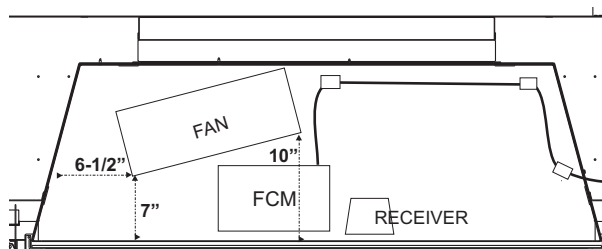
18) Install the fan air deflector - it hooks to 2 brackets on to the bottom lip of the unit, to the right of the receiver.



Air deflector

19) Reverse Steps 4 through 1.

20) FOR GTMF INSTALLATIONS ONLY: Install the fan control module into the unit through the open fan access panel. Plug the fan control module into the receptacle in the unit (left side - floor of unit). Plug the fan into the fan control module and connect GTMF remote (see GTMF installation instructions in this manual).



Top View



21) Attach the receiver to the unit with the velcro strip. Place the receiver in front of the ground lug on the left side of the unit - inside the bottom frame of the unit - follow steps 15-19 to complete installation.



TO REMOVE THE FAN

- 1) Turn the power off.
- 2) Reverse the above instructions.

Maintenance: The sealed bearings are lubricated, there is no need to lubricate them further. (Extra lubricant will cause more lint and dust buildup - causing the bearings to prematurely fail). Regular cleaning and vacuuming of the fan area will add to the life of the motor.

IMPORTANT:

These fans collect a lot of dust from within your home. Ensure you maintain these fan motors on a regular basis by vacuuming the fan blades and housing using a soft brush nozzle.

OPERATING INSTRUCTIONS

- 1) Read and understand these instructions before operating this appliance.
- 2) Check to see that all wiring is correct and enclosed to prevent possible shock.
- 3) Check to ensure there are no gas leaks.
- 4) Make sure the glass in the glass door frame is properly positioned. Never operate the appliance with the glass removed.
- 5) Verify that the venting and cap are unobstructed.
- 6) The unit should never be turned off, and on again without a minimum of a 60 second wait.

FIRST FIRE

The **FIRST FIRE** in your heater is part of the paint curing process. To ensure the paint is properly cured, it is recommended you burn your fireplace for at least four (4) hours the first time with the fan on.

When first operated, the unit will release an odour caused by the curing of the paint and the burning off of any oils remaining from manufacturing. Smoke detectors in the house may go off at this time. Open a few windows to ventilate the room for a couple of hours. The glass may require cleaning.

NOTE: When the glass is cold and the appliance is lit, it may cause condensation and fog the glass. This condensation is normal and will disappear in a few minutes as the glass heats up.

DO NOT ATTEMPT TO CLEAN THE GLASS WHILE IT IS STILL HOT!

DO NOT BURN THE UNIT WITHOUT THE GLASS DOOR IN PLACE.

During the first few fires, a white film may develop on the glass front as part of the curing process. The glass should be cleaned after the unit has cooled down or the film will bake on and become very difficult to remove. Use a non-abrasive cleaner and **DO NOT ATTEMPT TO CLEAN THE GLASS WHILE IT IS HOT.**

LIGHTING PROCEDURE

IMPORTANT

To ignite or reignite the pilot, you must first remove the glass door.

- 1) Press and release on ON/OFF button once on the remote control or ON/OFF switch.
- 2) After approximately 4 seconds the spark ignition system will spark for 60 seconds to light the main burner.
- 3) The unit will turn on.

Note: The first try for ignition will last approximately 60 seconds. If there is no flame ignition (rectification) the board will stop sparking for approximately 35 seconds. After wait time, the board will start second try for ignition by sparking for approximately 60 seconds. If there is still no positive ignition the board will go into lock out.

The system will need to be reset as follows:

- a) Turn the system off using ON/OFF switch or press ON/OFF button - if using optional remote.
- b) After approximately 2 seconds turn on ON/OFF switch or press ON/OFF button if using optional remote.
- c) Repeat step 2.

SHUTDOWN PROCEDURE

- 1) Turn the wall mounted switch or remote to the "OFF" position.
- 2) Press "OFF" on the remote control.
- 3) Turn the gas control knob to the "OFF" position to turn off the pilot.

NORMAL OPERATING SOUNDS OF GAS APPLIANCES

It is possible that you will hear some sounds from your gas appliance. This is perfectly normal due to the fact that there are various gauges and types of steel used within your appliance. Listed below are some examples. All are **normal operating sounds** and should not be considered as defects in your appliance.

Burner Tray:

The burner tray is positioned directly under the burner and is made of a different gauge material from the rest of the firebox and body. Therefore, the varying thicknesses of steel will expand and contract at slightly different rates which can cause "ticking" and "cracking" sounds. You should also be aware that as there are temperature changes within the unit these sounds will likely re-occur. Again, this is normal for steel fireboxes.

Pilot Flame:

While the pilot flame is on it can make a very slight "whisper" sound.

Gas Control Valve:

As the gas control valve turns ON and OFF, a dull clicking sound may be audible, this is normal operation of a gas regulator or valve.

Unit Body/Firebox:

Different types and thicknesses of steel will expand and contract at different rates resulting in some "cracking" and "ticking" sounds will be heard throughout the cycling process.

Blower Thermodisc:

When this thermally activated switch turns ON it will create a small "clicking" sound. This is the switch contacts closing and is normal.

COPY OF LIGHTING PLATE INSTRUCTIONS

FOR YOUR SAFETY READ BEFORE LIGHTING

This appliance must be installed in accordance with local codes, if any; if none, follow the National Fuel Gas Code, ANSI Z223.1/NFPA 54, or Natural Gas and Propane Installation Codes, CSA B149.1.

WARNING: If you do not follow these instructions exactly, a fire or explosion may result causing property damage, personal injury or loss of life. Improper installation, adjustment, alteration, service or maintenance can cause injury or property damage. Refer to the owner's information manual provided with this appliance. For assistance or additional information consult a qualified installer, service agency or gas supplier.
AVERTISSEMENT: Quiconque ne respecte pas à la lettre les instructions dans la présente notice risque de déclencher un incendie ou une explosion entraînant des dommages, des blessures ou la mort.

Une installation, d'ajustement, de modification, de service ou d'entretien peut provoquer des blessures ou des dommages matériels. Reportez-vous au manuel du propriétaire de l'information fournie avec cet appareil. Pour obtenir de l'aide ou des informations supplémentaires consulter un installateur qualifié, une agence de service ou fournisseur de gaz.

A) This appliance is equipped with an ignition device which automatically lights the pilot.
Do not try to light the pilot by hand.

B) **BEFORE OPERATING** smell all around the appliance area for gas. Be sure to smell next to the floor because some gas is heavier than air and will settle on the floor.

WHAT TO DO IF YOU SMELL GAS

- Do not try to light any appliance.
- Do not touch any electric switch, do not use any phone in your building.
- Immediately call your gas supplier from a neighbours phone. Follow the gas supplier's instructions.
- If you cannot reach your gas supplier, call the fire department.

C) Do not use this appliance if any part has been under water. Immediately call a qualified service technician to inspect the appliance and replace any part of the control system and any gas control which has been underwater.

A) Cet appareil est muni d'un dispositif d'allumage qui allume automatiquement la veilleuse.
Ne tentez pas d'allumer la veilleuse manuellement.

B) **AVANT DE FAIRE FONCTIONNER**, reniflez tout autour de l'appareil pour détecter une odeur de gaz. Reniflez près du plancher, car certains gaz sont plus lourds que l'air et peuvent s'accumuler au niveau du sol.

QUE FAIRE SI VOUS SENTEZ UNE ODEUR DE GAZ :

- Ne pas tenter d'allumer d'appareil
- Ne touchez à aucun interrupteur; ne pas vous servir des téléphones se trouvant dans le bâtiment.
- Appelez immédiatement votre fournisseur de gaz depuis un voisin. Suivez les instructions du fournisseur.
- Si vous ne pouvez rejoindre le fournisseur, appelez le service des incendies

C) N'utilisez pas cet appareil s'il a été plongé dans l'eau, même partiellement. Faites inspecter l'appareil par un technicien qualifié et remplacez toute partie du système de contrôle et toute commande qui ont été plongés dans l'eau.

CAUTION: Hot while in operation. Do not touch. Severe Burns may result. Due to high surface temperatures keep children, clothing and furniture, gasoline and other liquids having flammable vapors away. Keep burner and control compartment clean. See installation and operating instructions accompanying appliance.

LIGHTING INSTRUCTIONS

1) Turn on ON/OFF switch

2) After approximately 4 seconds the spark ignition system will spark for 60 seconds to light the main burner.

3) The unit will turn on.

Note: The first attempt to ignition will last approximately 60 seconds. If there is no flame ignition (rectification) the board will stop sparking for approximately 35 seconds. After this wait time, the board will start a second try for ignition by sparking for approximately 60 seconds. If there is still no positive ignition after the second attempt the board will go into lock out.

The system will need to be reset as follows (after going into lock out mode):

- a) Wait 5 minutes - turn the system off using ON/OFF switch.
- b) After approximately 2 seconds turn on ON/OFF switch or press ON/OFF button if using optional remote.
- c) Unit will repeat step 2.

1) Appuyez le bouton ON / OFF

2) Attendre 4 secondes. Le système d'allumage produira des étincelles pendant 60 secondes afin d'amorcer le brûleur principal.

3) Les flammes s'allumeront.

Remarque : Au premier allumage, le système tente d'allumer les flammes pendant 60 secondes. Si l'essai est infructueux, le système fait une pause de 35 secondes. C'est ce qu'on appelle l'étape de rectification. Ce délai écoulé, le système tente à nouveau d'allumer les flammes en produisant des étincelles pendant 60 secondes. Si les flammes ne s'allument toujours pas, le système se met en mode verrouillage.

Il faut alors le réinitialiser en suivant les étapes ci-dessous (pour le déverrouiller) :

- a) Attendre 5 minutes et éteindre l'appareil en réglant l'interrupteur à la position « OFF »;
- b) Attendre 2 secondes et rallumer le système à l'aide de l'interrupteur ou de la télécommande.
- c) L'unité répétera l'étape 2.

TO TURN OFF GAS APPLIANCE

1) Turn off ON/OFF switch

2) If service is to be performed - you must disconnect power to the unit, from the battery pack, refer to manual.

1) Appuyez sur le bouton ON / OFF

2) Si le service est effectuée, vous devez débrancher l'appareil, du bloc-piles, voir le manuel d'instruction pour plus de détails.

DO NOT REMOVE THIS INSTRUCTION PLATE

918-628b

MAINTENANCE INSTRUCTIONS

- 1) Always turn off the gas valve before cleaning. For relighting, refer to lighting instructions. Keep the burner and control compartment clean by brushing and vacuuming at least once a year.
 - 2) Clean appliance and door with a damp cloth (never when unit is hot). Never use an abrasive cleaner. The glass should be cleaned with a gas fireplace glass cleaner. **The glass should be cleaned when it starts looking cloudy.**
 - 3) The faceplate is finished in a heat resistant paint and should only be refinished with heat resistant paint. Regency® uses StoveBright Paint - Metallic Black #6309.
- Note: Faceplates and inner panels made from stainless steel will naturally change color over time.**
- 4) Make a periodic check of burner for proper position and condition. Visually check the flame of the burner periodically, making sure the flames are steady; not lifting or floating. If there is a problem, call a qualified service person.
 - 5) The appliance and venting system must be inspected before use, and at least annually, by a qualified field service person, to ensure that the flow of combustion and ventilation air is not obstructed.

Note: Never operate the appliance without the glass properly secured in place.

- 6) Do not use this appliance if any part has been under water. Immediately call a qualified service technician to inspect the appliance and to replace any part of the control system and any gas control which has been under water.
- 7) In the event this appliance has been serviced check that the vent-air system has been properly resealed & reinstalled in accordance with the manufacturer's instructions.
- 8) Verify operation after servicing.

GENERAL VENT MAINTENANCE

Conduct an inspection of the venting system semi-annually. Recommended areas to inspect as follows:

- 1) Check the Venting System for corrosion in areas that are exposed to the elements. These will appear as rust spots or streaks, and in extreme cases, holes. These components should be replaced immediately.
- 2) Remove the Cap, and shine a flashlight down the Vent. Remove any bird nests, or other foreign material.
- 3) Check for evidences of excessive condensation, such as water droplets forming in the inner liner, and subsequently dripping out the joints. Continuous condensation can cause corrosion of caps, pipe, and fittings. It may be caused by having excessive lateral runs, too many elbows, and exterior portions of the system being exposed to cold weather.
- 4) Inspect joints, to verify that no pipe sections or fittings have been disturbed, and consequently loosened. Also check mechanical supports such as Wall Straps, or plumbers' tape for rigidity.

GLASS GASKET

If the glass gasket requires replacement use a tadpole glass gasket (Part # 936-159).

GLASS DOOR

Your Regency® fireplace is supplied with high temperature 5mm-Ceramic glass. If your glass requires cleaning, we recommend using an approved glass cleaner available at all authorized dealers. Do not use abrasive materials.

CAUTION & WARNINGS:

- * Do not clean when the glass is hot.
- * The use of substitute glass will void all product warranties.
- * Care must be taken to avoid breakage of the glass.
- * Do not strike or abuse the glass.
- * Do not operate this fireplace without the glass front or with a cracked or broken glass front.
- * Wear gloves when removing damaged or broken glass.
- * Replacement of the glass panel(s) should be done by a licensed or qualified service person.

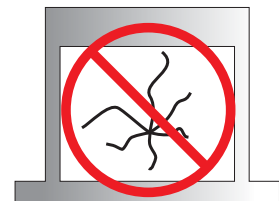
GLASS REPLACEMENT

In the event that you break your glass by impact, purchase your replacement from an authorized Regency® dealer only.

Replacement glass is shipped already installed into the door frame.

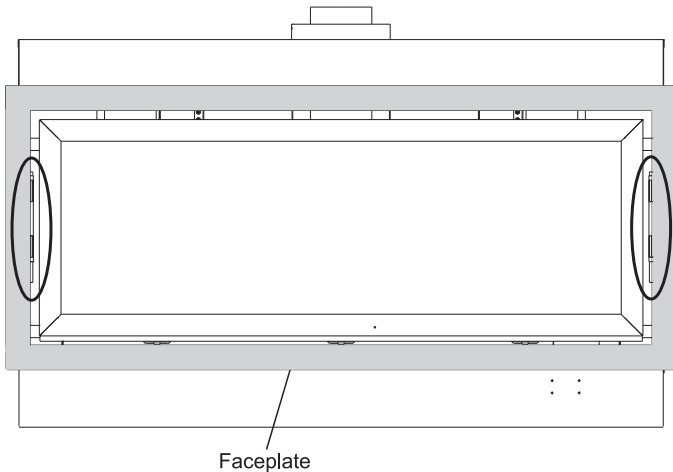
CAUTION: Wear gloves when removing damaged or broken glass.

WARNING: Do not operate the appliance with the glass panels removed, cracked or broken. Replacement of the glass panels should be done by a licensed or qualified service person.

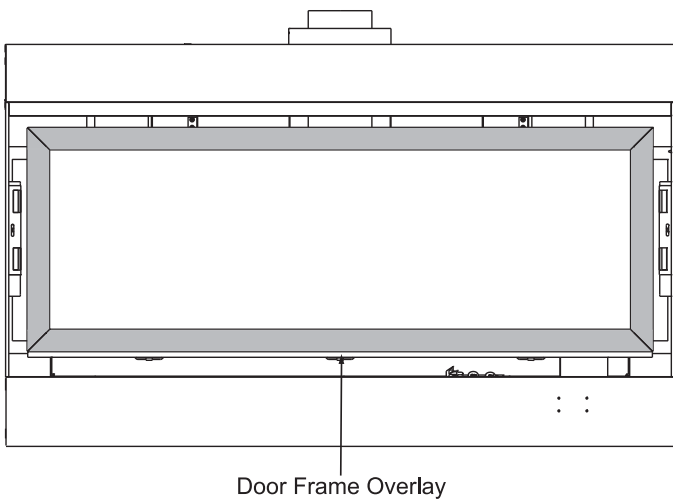


GLASS DOOR REMOVAL

- 1) Turn the unit off and allow it to cool down to room temperature.
- 2) Turn off the gas supply to the unit.
- 3) Remove the faceplate by lifting it up off the hinges on the sides of the firebox.

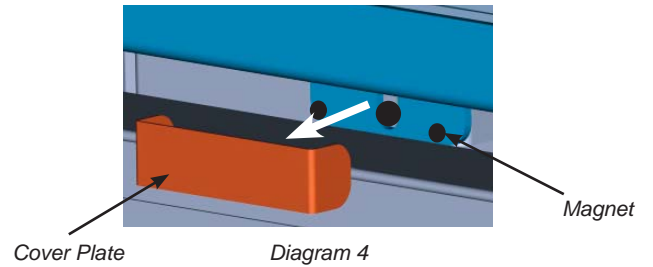


- 4) Remove the door frame overlay by swinging out 45° from the bottom and lift up and out.

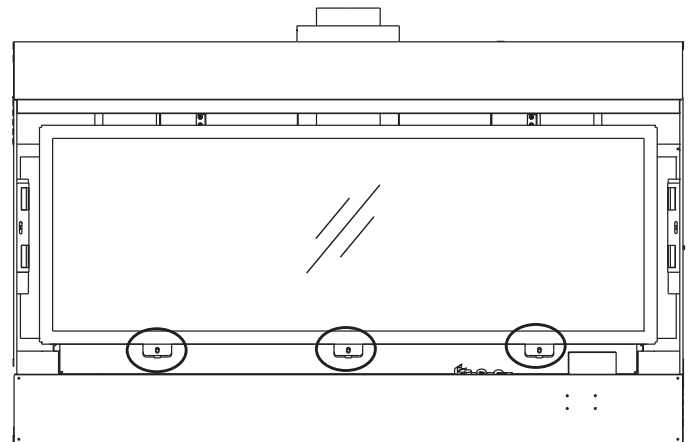


- 5) Remove the glass door.

- a) Remove cover plates from over each screw by pulling away from 2 magnets each as shown below.



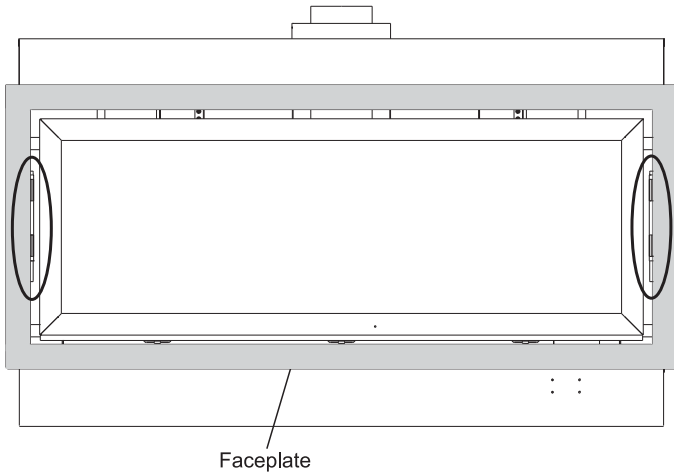
- b) Remove the 3 screws shown below at the bottom of the glass door.
- c) Swing the door out 45° from the bottom and lift up and out.



- 6) Remove valve cover - (see valve cover removal section in this manual).

VALVE TRAY REPLACEMENT

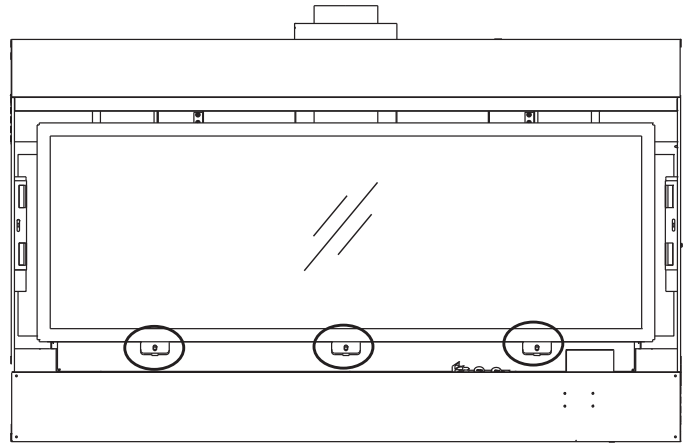
- 1) Turn the unit off and allow it to cool down to room temperature.
- 2) Turn off the gas supply to the unit.
- 3) Remove the faceplate by lifting it up off the hinges on the sides of the firebox.



- 4) Remove the door frame overlay by swinging out 45° from the bottom and lift up and out.



- 5) Remove the glass door.
 - a) Remove the 3 screws shown below at the bottom of the glass door.
 - b) Swing the door out 45° from the bottom and lift up and out.



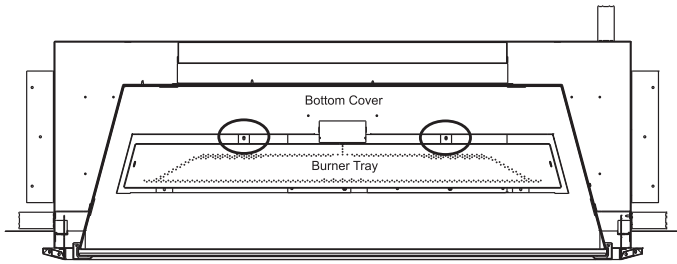
Note: See next pages for specific instructions for NG / LP units.

Prior to removing burner - remove the following (if installed):

- crystals
- pebbles
- spa stones
- logs
- Inner panels

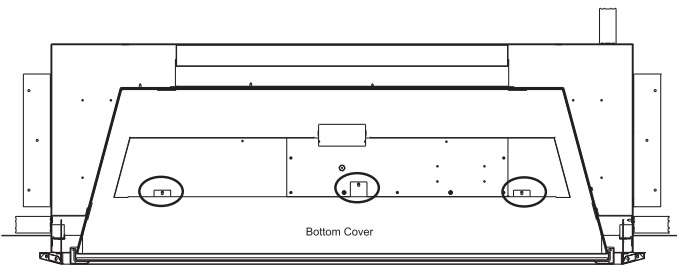
HZ54E-NG UNIT

- 1) Remove the burner tray by undoing the 2 screws in between the bottom cover and burner on the firebox. Carefully lift the burner up and out ensuring not to spill the glass crystals.



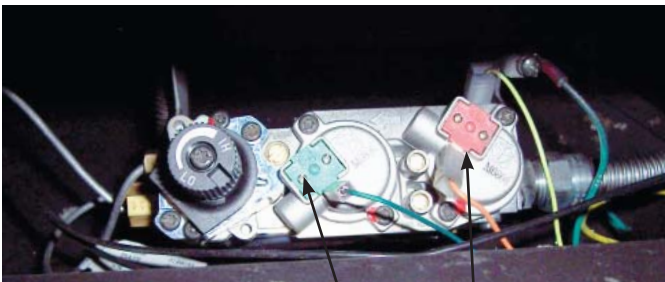
Aerial View of the inside of the unit shown.

- 2) Remove bottom cover by undoing 3 screws securing it to the firebox base, lift up and out.



Aerial View of the inside of the unit shown.

- 3) Disconnect the green and orange wires from the valve.



Green Wire

Orange Wire

- 4) Disconnect the green ground wire from the valve bracket.



Green ground wire

- 5) Lift out the DFBC and battery pack.



DFBC

Battery pack

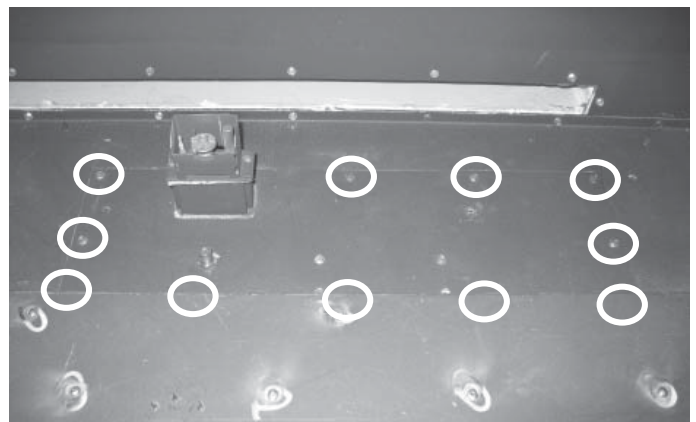
- 6) Disconnect the CN4 and CN3 wires from the DFBC.



CN4

CN3

- 7) Remove the valve tray by undoing 12 screws.



- 8) Partially lift out valve tray.

- 9) Disconnect the inlet gas line.

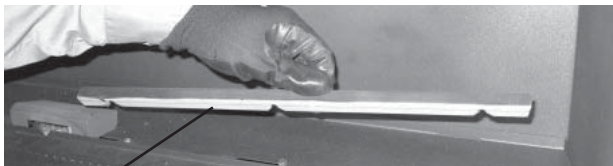
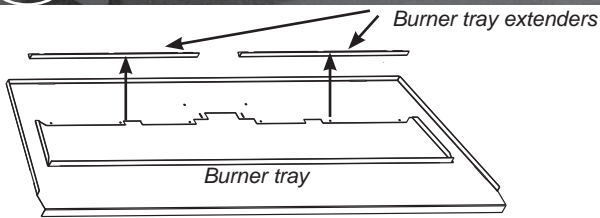
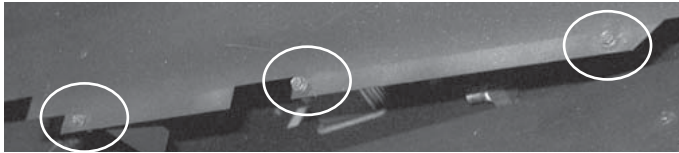


- 10) Replace valve and reverse steps.

HZ54E-LP UNIT

1) Loosen 6 screws that secure the burner extenders on burner tray, located behind the burner on either side of the pilot assembly.

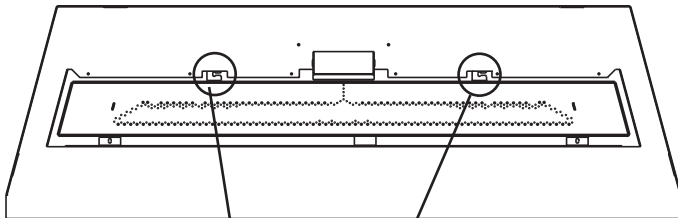
2) Lift out the 2 burner tray extenders.



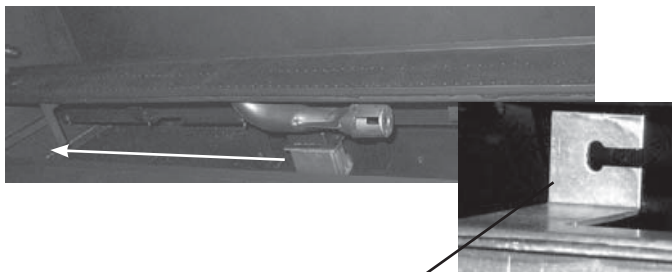
Burner tray extenders

4) After extenders have been removed. Remove the 2 screws that secure the burner tray, at the base of the firebox.

5) Slide the burner to the left and lift it out.



Location of screws securing burner



Burner Bracket

6) With burner removed - lift out burner tray.



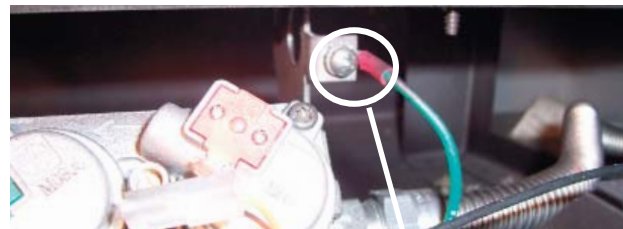
7) Disconnect the green and orange wires from the valve.



Green Wire

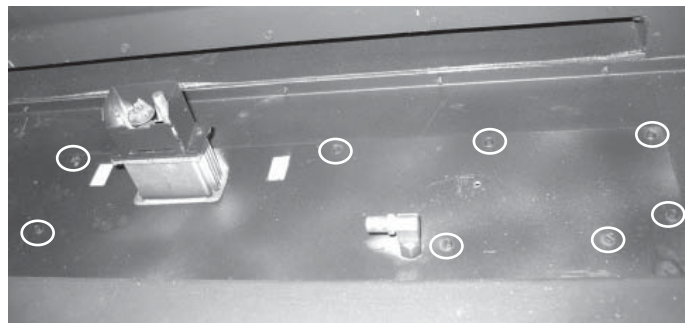
Orange Wire

8) Disconnect the green ground wire from the valve bracket.



Green ground wire

9) Remove the valve tray by undoing 12 screws.



10) Partially lift out valve tray.

11) Disconnect the inlet gas line.



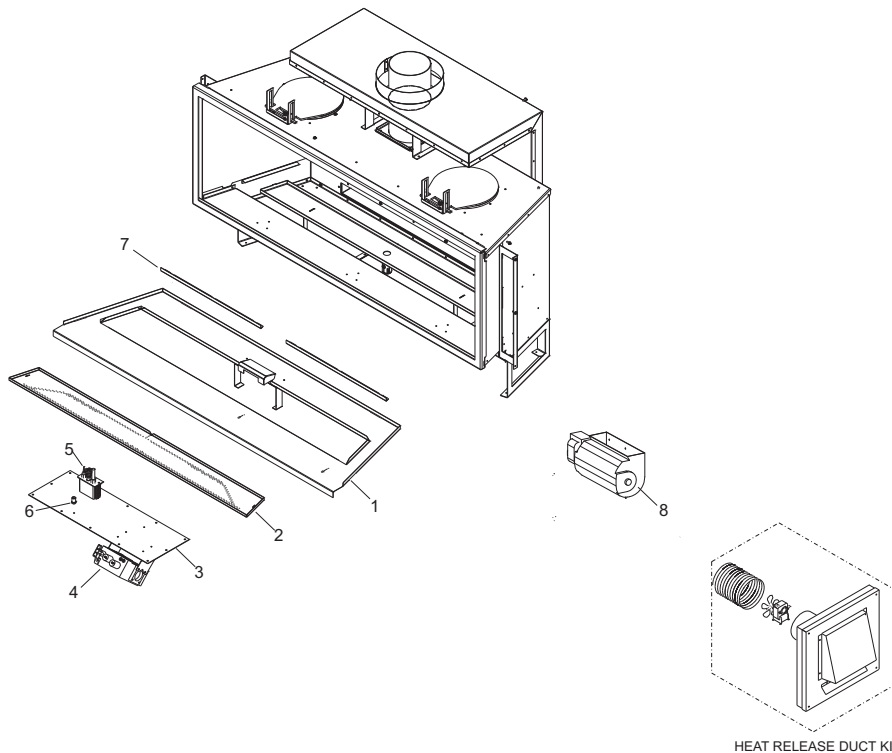
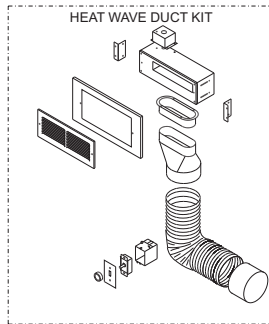
Gas Inlet Line

12) Replace valve and reverse steps.

PARTS LIST

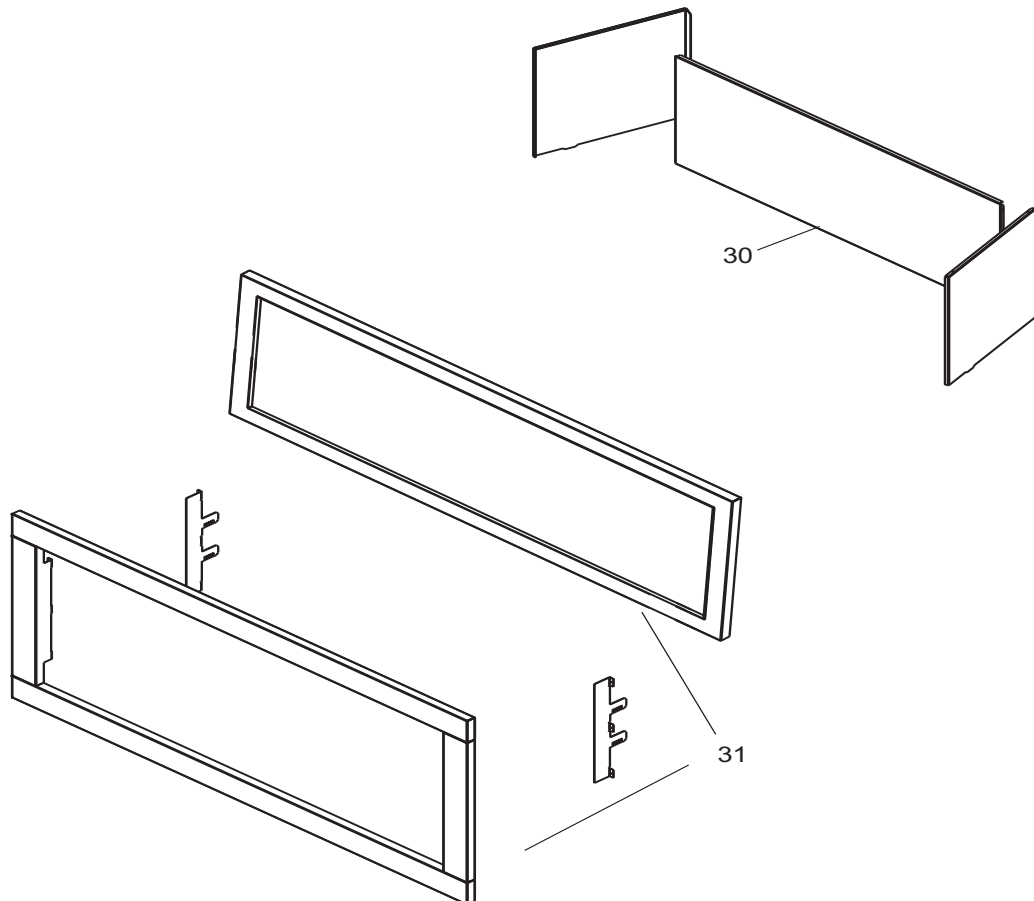
MAIN ASSEMBLY

| Part # | Description | Part # | Description |
|---------------|------------------------------|------------|---------------------------------|
| 1) 476-151 | Bottom Cover (False Tray) NG | 6) 904-660 | Burner Orifice # 30 (NG) |
| 476-152 | Bottom Cover (False Tray) LP | 904-431 | Burner Orifice # 49 (LP) |
| 2) 476-525 | Burner Assembly -NG | 904-658 | Inlet Gas Flex Line SS |
| 476-530 | Burner Assembly-LP | 7) 476-101 | Burner Extenders (LP unit only) |
| 3) 476-574E/P | Valve Assembly -NG | 476-042f | LH / RH Nailing Strips |
| 476-576E/P | Valve Assembly-LP | 8) 476-915 | Optional Fan |
| 4) 911-004 | 886 SIT Valve - NG | 370-055 | Flue Collar Gasket |
| 911-005 | 886 SIT Valve - LP | 476-023 | Plate Relief Gasket |
| 5) 911-006 | Pilot Assembly - NG | 476-055 | Valve Tray Gasket |
| 911-007 | Pilot Assembly - LP | 521-035 | Inner Flue Collar Gasket |
| 910-363 | White Wall Switch | 940-359/P | Flush Glass |
| 910-366 | White Switch Plate Wire | 476-011 | Flush Door |
| | | 911-019 | Wire (Valve to Burner ON/OFF) |
| | | 948-409 | Flue Collar |
| | | 476-080 | Lifting Handle |
| | | 946-556 | Heatwave Kit |
| | | 946-570 | Heatrelease Kit |
| | | 918-883 | Manual |



ACCESSORIES

| Part # | Description | Part # | Description |
|---------|--|---------|---------------------------|
| 30) | 476-908 Black Enamel Inner Panels | 946-690 | GT Remote Control |
| 31) | 476-924 Faceplate & Door Frame Overlay - Black | 946-691 | GTM Remote Control |
| | 476-926 Faceplate & Door Frame Overlay - Sunset Bronze | 946-692 | GTMF Remote Control |
| | 476-927 Faceplate & Door Frame Overlay - Stainless Steel | 946-693 | Modulator NG |
| 476-951 | Verona Glass Surround Pure Black | 946-694 | Modulator LP |
| 476-953 | Verona Glass Surround Classic Grey | 1 pound | bag of glass crystals |
| 476-955 | Verona Glass Surround Chocolate Brown | 946-675 | Black Reflective Crystals |
| 476-917 | Fan Kit | 946-676 | Copper Crystals |
| 476-930 | Log Set | 946-677 | Starfire Crystals |
| | | 946-678 | Cobalt Blue Crystals |
| | | 5 pound | bag of glass crystals |
| | | 946-775 | Black Reflective Crystals |
| | | 946-776 | Copper Crystals |
| | | 946-777 | Starfire Crystals |
| | | 946-778 | Cobalt Blue Crystals |
| | | 946-672 | Natural River Pebbles |
| | | 946-674 | Ceramic Spa Stones |





Regency® Fireplace Products are designed with reliability and simplicity in mind. In addition, our internal Quality Assurance Team carefully inspects each unit thoroughly before it leaves our facility. Regency Fireplace Products is pleased to extend this limited lifetime warranty to the original purchaser of a Regency® Product. This warranty is not transferable.

The Warranty: Limited Lifetime

The combustion chamber, heat exchanger, burner tubes/pans, logs, glass crystals, ceramic spa stones, pebbles, brick panels and gold plating (against defective manufacture only) are covered under the Limited Lifetime Warranty for five (5) years for parts and subsidized labour* and parts only thereafter.

Glass is covered for lifetime against thermal breakage only, parts and subsidized labour* for five (5) years and parts only thereafter from date of purchase.

External casting, surrounds and grills are covered against cracks and warps resulting from manufacturer defects, parts and subsidized labour* for three (3) years from the date of purchase and parts only thereafter.

Special Finishes - One year on stainless steel panels, nickel overlays, nickel faceplates, brushed nickel and antique copper full screens and doors. You can expect some changes in color as the product "ages" with constant heating and cooling. FPI warranties the product for any manufacturing defects on the original product. However, the manufacturers warranty does not cover changing colors and marks, ie. finger prints, etc applied after the purchase of the product. Damage from the use of abrasive cleaners is not covered by warranty.

Electrical and mechanical components such as blowers, switches, wiring, thermodiscs, FPI remote controls, spill switches, thermopiles, thermocouples, pilot assembly components, and gas valves are covered for two years parts and one year subsidized labour* from the date of purchase. Blowers and valves replaced under warranty are considered repairs and continue as if new with appliance. ie. twelve (12) months from original purchase date of appliance with a minimum of three (3) months coverage from date of replacement.

FPI venting components are covered parts and subsidized labour* for three (3) years from date of purchase.

Simpson Dura-Vent venting components (Direct Vent units) are covered by Simpson Dura-Vent Inc. warranty.

Repair/replacement parts purchased by the consumer from FPI after the original coverage has expired on the unit will carry a 90 day warranty, valid with a receipt only. Any item shown to be defective will be repaired or replaced at our discretion. No labor coverage is included with these parts.

Conditions:

Any part or parts of this unit which in our judgement show evidence of such defects will be repaired or replaced at FPI's option, through an accredited distributor or agent provided that the defective part be returned to the distributor or agent **Transportation Prepaid**, if requested.

Porcelain/Enamel - Absolute perfection is either guaranteed nor commercially possible. Any chips must be reported and inspected by an authorized dealer within three days of installation. Reported damage after this time will be subject to rejection.

It is the general practice of FPI to charge for larger, higher priced replacement parts and issue credit once the replaced component has been returned to FPI and evaluated for manufacturer defect.

The authorized selling dealer is responsible for all in-field service work carried out on your Regency® product. FPI will not be liable for results or costs of workmanship from unauthorized service persons or dealers.

At all times FPI reserves the right to inspect product in the field which is claimed to be defective.

All claims must be submitted to FPI by authorized selling dealers. It is essential that all submitted claims provide all of the necessary information including customer name, purchase date, serial #, type of unit, problem, and part or parts requested, without this information the warranty will be invalid.

Exclusions:

This limited Lifetime Warranty does not extend to or include paint, door or glass gasketing or trim.

At no time will FPI be liable for any consequential damages which exceed the purchase price of the unit. FPI has no obligation to enhance or modify any unit once manufactured. ie. as products evolve, field modifications or upgrades will not be performed.

FPI will not be liable for travel costs for service work.

Installation and environmental problems are not the responsibility of the manufacturer and therefore are not covered under the terms of this warranty policy.

Embers, rockwool, gaskets, door handles and paint are not covered under the terms of this warranty policy.

Any unit which shows signs of neglect or misuse is not covered under the terms of this warranty policy.

The warranty will not extend to any part which has been tampered with or altered in any way, or in our judgment has been subject to misuse, improper installation, negligence or accident, spillage or downdrafts caused by environmental or geographical conditions, inadequate ventilation, excessive offsets, negative air pressure caused by mechanical systems such as furnaces, fans, clothes dryer, etc.

Freight damage to stoves and replacement parts is not covered by warranty and is subject to a claim against the freight carrier by the dealer.

FPI will not be liable for acts of God, or acts of terrorism, which cause malfunction of the appliance.

Performance problems due to operator error will not be covered by this warranty policy.

Products made or provided by other manufacturers and used in conjunction with the operation of this appliance without prior authorization from FPI, may nullify your warranty on this product.

Any alteration to the unit which causes sooting or carboning that results in damage to the interior / exterior facia is not the responsibility of FPI.

* Subsidy according to job scale as predetermined by FPI.

Register your Regency® warranty online www.regency-fire.com

Reasons to register your product online today!

- View and modify a list of all your registered products.
- Request automatic email notification of new product updates.
- Stay informed about the current promotions, events, and special offers on related products.

Installer: Please complete the following information

Dealer Name & Address: _____

Installer: _____

Phone #: _____

Date Installed: _____

Serial No.: _____



Horizon HZ54 Video