

INSTALLER: THESE INSTRUCTIONS MUST BE CONVEYED TO AND REMAIN WITH THE HOMEOWNER.

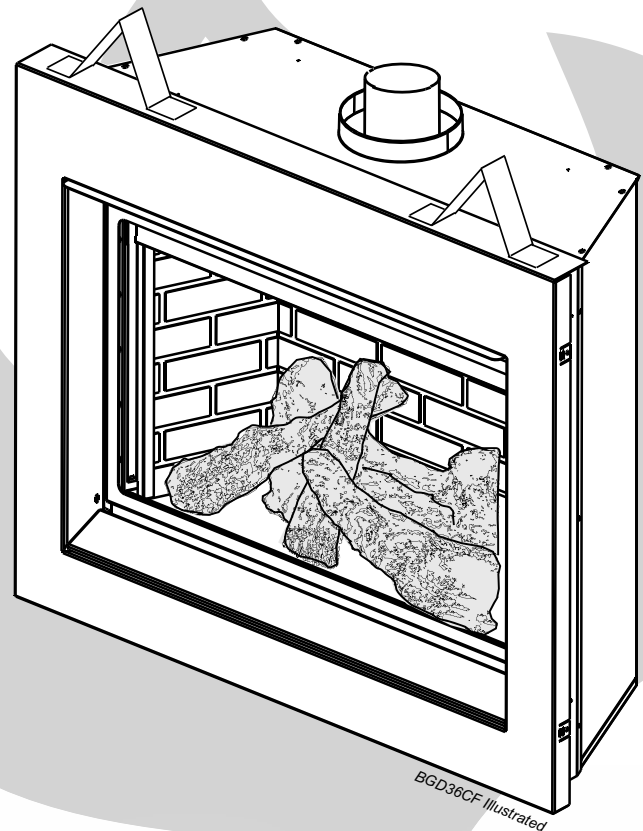


INSTALLATION AND OPERATING INSTRUCTIONS

CERTIFIED UNDER CANADIAN AND AMERICAN NATIONAL STANDARDS: CSA 2.33, ANSI Z21.88 FOR VENTED GAS FIREPLACE HEATERS.

BGD36CFNTR & BGD42CFN
NATURAL GAS

BGD36CFPTR & BGD42CFP
PROPANE



CERTIFIED FOR CANADA AND UNITED STATES USING ANSI/CSA METHODS.

SAFETY INFORMATION

WARNING: If the information in these instructions are not followed exactly, a fire or explosion may result causing property damage, personal injury or loss of life.

- Do not store or use gasoline or other flammable vapors and liquids in the vicinity of this or any other appliance.
- **WHAT TO DO IF YOU SMELL GAS:**
 - Do not try to light any appliance
 - Do not touch any electrical switch; do not use any phone in your building.
 - Immediately call your gas supplier from a neighbour's phone. Follow the gas supplier's instructions.
 - If you cannot reach your gas supplier, call the fire department.
- Installation and service must be performed by a qualified installer, service agency or the supplier.



APPLY SERIAL NUMBER LABEL FROM CARTON



**Wolf Steel Ltd., 24 Napoleon Rd., Barrie, ON, L4M 4Y8 Canada / 103 Miller Drive, Crittenden, Kentucky, USA, 41030
(705)721-1212 • fax(705)722-6031 • www.napoleonfireplaces.com • ask@napoleon.on.ca**

TABLE OF CONTENTS

PG 4-5	INTRODUCTION Warranty General Instructions General Information Care of Glass & Plated Parts Unit Dimensions		Vermiculite Logo Placement
5-21	VENTING Venting Lengths Minimum Air Terminal Location Clearances Typical Minimum and Maximum Vent Lengths Special Vent Installations Venting Application Flow Chart Venting Specifications BGD36CF Pre-Installation Preparation	32-33 BGD36CF FINISHING 33-34 BGD42CF FINISHING	Log Placement Door Operation Log Placement Grate Installation Door Installation / Removal
22-31	INSTALLATION Wall and Ceiling Protection Horizontal Installation Adjustable Firestop Installation Vertical Installation Using Flexible Vent Components Using Rigid Vent Components Restricting Vertical Vents (BGD42CF ONLY) Gas Installation Mobile Home Installation Installing Standoffs Framing Minimum Mantle and Enclosure Clearances Clean Face Surround Kit Installation	34-35 OPTIONAL BLOWER INSTALLATION 36 OPTIONAL FAN INSTALLATION GD36 THERMOSTATIC SENSOR CONTROL 37-38 OPERATION / MAINTENANCE	BGD36CF Accessing the Blower BGD42CF Accessing the Blower Installing the Blower Operating Instructions Maintenance
32	COMMON FINISHING Glowng Embers Charcoal Embers	38 ADJUSTMENTS 39-41 COMMON REPLACEMENTS BGD36CF REPLACEMENTS BGD42CF REPLACEMENTS 42-43 TROUBLE SHOOTING GUIDE 44 SERVICE HISTORY	Pilot Burner Adjustment Venturi Adjustment

PLEASE RETAIN THIS MANUAL FOR FUTURE REFERENCE

WARNING

- Do not burn wood or other materials in this fireplace.
- The product is a vented gas fireplace
- Adults and especially children should be alerted to the hazards of high surface temperatures and should stay away to avoid burns or clothing ignition. Keep young children and animals away when the fireplace is hot.
- Due to high temperatures, the fireplace should be located out of traffic and away from furniture and draperies.
- Clothing or other flammable material should not be placed on or near the fireplace.
- Any safety screen or guard removed for servicing must be replaced prior to operating the fireplace.
- It is imperative that the control compartments, burners and circulating blower and its passageway in the fireplace and venting system are kept clean. The fireplace and its venting system should be inspected before use and at least annually by a qualified service person. More frequent cleaning may be required due to excessive lint from carpeting, bedding material, etc. The fireplace area must be kept clear and free from combustible materials, gasoline and other flammable vapours and liquids.
- Under no circumstances should this fireplace be modified.
- This fireplace must not be connected to a chimney flue pipe serving a separate solid fuel burning appliance.
- Do not use this fireplace if any part has been under water. Immediately call a qualified service technician to inspect the fireplace and to replace any part of the control system and any gas control which has been under water.
- Do not operate the fireplace with the glass door removed, cracked or broken. Replacement of the glass should be done by a licensed or qualified service person.
- Do not strike or slam shut the fireplace glass door.
- This fireplace uses and requires a fast acting thermocouple. Replace only with a fast acting thermocouple supplied by Wolf Steel Ltd.
- Pressure relief doors must be kept closed while the fireplace is operating to prevent exhaust fumes containing carbon monoxide, from entering into the home. Temperatures of the exhaust escaping through these openings can also cause the surrounding combustible materials to overheat and catch fire.

NAPOLEON® products are manufactured under the strict Standard of the world recognized ISO 9001 : 2000 Quality Assurance Certificate.

NAPOLEON® products are designed with superior components and materials, assembled by trained craftsmen who take great pride in their work. The burner and valve assembly are leak and test-fired at a quality test station. The complete fireplace is again thoroughly inspected by a qualified technician before packaging to ensure that you, the customer, receives the quality product that you expect from NAPOLEON®.

NAPOLEON® GAS FIREPLACE PRESIDENT'S LIFETIME LIMITED WARRANTY

The following materials and workmanship in your new NAPOLEON® gas fireplace are warranted against defects for as long as you own the fireplace. This covers: combustion chamber, heat exchanger, stainless steel burner, phazer™ logs and embers, ceramic glass (thermal breakage only), gold plated parts against tarnishing, porcelainized enamelled components and aluminum extrusion trims.

Electrical (110V and millivolt) components and wearable parts such as blowers, gas valves, thermal switch, switches, wiring, remote controls, ignitor, gasketing, and pilot assembly are covered and NAPOLEON® will provide replacement parts free of charge during the first year of the limited warranty.

Labour related to warranty repair is covered free of charge during the first year. Repair work, however, requires the prior approval of an authorized company official. Labour costs to the account of NAPOLEON® are based on a predetermined rate schedule and any repair work must be done through an authorized NAPOLEON® dealer.

CONDITIONS AND LIMITATIONS

NAPOLEON® warrants its products against manufacturing defects to the original purchaser only -- i.e., the individual or legal entity (registered customer) whose name appears on the warranty registration card filed with NAPOLEON®-- provided that the purchase was made through an authorized NAPOLEON dealer and is subject to the following conditions and limitations:

This factory warranty is nontransferable and may not be extended whatsoever by any of our representatives.

The gas fireplace must be installed by a licenced, authorized service technician or contractor. Installation must be done in accordance with the installation instructions included with the product and all local and national building and fire codes.

This limited warranty does not cover damages caused by misuse, lack of maintenance, accident, alterations, abuse or neglect and parts installed from other manufacturers will nullify this warranty.

This limited warranty further does not cover any scratches, dents, corrosion or discolouring caused by excessive heat, abrasive and chemical cleaners nor chipping on porcelain enamel parts, mechanical breakage of PHAZER™ logs and embers, nor any venting components used in the installation of the fireplace.

NAPOLEON® warrants its stainless steel burners against defects in workmanship and material for life, subject to the following conditions: During the first 10 years NAPOLEON® will replace or repair the defective parts at our option free of charge. From 10 years to life, NAPOLEON® will provide replacement burners at 50% of the current retail price.

In the first year only, this warranty extends to the repair or replacement of warranted parts which are defective in material or workmanship provided that the product has been operated in accordance with the operation instructions and under normal conditions.

After the first year, with respect to this President's Limited Lifetime Warranty, NAPOLEON® may, at its discretion, fully discharge all obligations with respect to this warranty by refunding to the original warranted purchaser the wholesale price of any warranted but defective part(s).

After the first year, NAPOLEON® will not be responsible for installation, labour or any other costs or expenses related to the reinstallation of a warranted part, and such expenses are not covered by this warranty.

Notwithstanding any provisions contained in this President's Limited Lifetime Warranty, NAPOLEON'S responsibility under this warranty is defined as above and it shall not in any event extend to any incidental, consequential or indirect damages.

This warranty defines the obligations and liability of NAPOLEON® with respect to the NAPOLEON® gas fireplace and any other warranties expressed or implied with respect to this product its components or accessories are excluded.

NAPOLEON® neither assumes, nor authorizes any third party to assume, on its behalf, any other liabilities with respect to the sale of this product. NAPOLEON® will not be responsible for: over-firing, downdrafts, spillage caused by environmental conditions such as rooftops, buildings, nearby trees, hills, mountains, inadequate vents or ventilation, excessive venting configurations, insufficient makeup air, or negative air pressures which may or may not be caused by mechanical systems such as exhaust fans, furnaces, clothes dryers, etc.

Any damages to fireplace, combustion chamber, heat exchanger, brass trim or other component due to water, weather damage, long periods of dampness, condensation, damaging chemicals or cleaners will not be the responsibility of NAPOLEON®.

The bill of sale or copy will be required together with a serial number and a model number when making any warranty claims from your authorized dealer. The warranty registration card must be returned within fourteen days to register the warranty.

NAPOLEON® reserves the right to have its representative inspect any product or part thereof prior to honouring any warranty claim.

GENERAL INSTRUCTIONS

THIS GAS FIREPLACE SHOULD BE INSTALLED AND SERVICED BY A QUALIFIED INSTALLER to conform with local codes. Installation practices vary from region to region and it is important to know the specifics that apply to your area, for example: in Massachusetts State:

- The fireplace damper must be removed or welded in the open position prior to installation of a fireplace insert or gas log.
- A carbon monoxide detector is required in all rooms containing gas fired appliances
- The appliance off valve must be a "T" handle gas cock.
- The flexible connector must not be longer than 36 inches.
- The appliance is not approved for installation in a bedroom or bathroom unless the unit is a direct vent sealed combustion product.
- **WARNING:** This product must be installed by a licensed plumber or gas fitter when installed within the commonwealth of Massachusetts.

In absence of local codes, install the **BGD36CF** and **BGD42CF** to the current National Fuel Gas Code, ANSI Z223.1, or the current CAN/CGA B149, Installation Codes. Mobile home installation must conform with local codes or in the absence of local codes, install to the current standard for gas equipped mobile housing CAN/CSA ZA240 MH Series in Canada or the Manufactured Home Construction and Safety Standard, Title 24 CFR, Part 3280, or the Fire Safety Criteria for Manufactured Home Installations, Sites and Communities Standard ANSI/NFPA 501A in the United States.

The fireplace and its individual shutoff valve must be disconnected from the gas supply piping system during any pressure testing of that system at test pressures in excess of 1/2 psig (3.5 kPa). The fireplace must be isolated from the gas supply piping system by closing its individual manual shutoff valve during any pressure testing of the gas supply piping system at test pressures equal to or less than 1/2 psig (3.5 kPa).

When the fireplace is installed directly on carpeting, vinyl tile or other combustible material other than wood flooring, the fireplace shall be installed on a metal or wood panel extending the full width and depth.

If the optional fan or blower is installed, the junction box must be electrically connected and grounded in accordance with local codes. In the absence of local codes, use the current CSA C22.1 CANADIAN ELECTRICAL CODE in Canada or the ANSI/NFPA 70 NATIONAL ELECTRICAL CODE in the United States.

GENERAL INFORMATION

FOR YOUR SATISFACTION, THIS FIREPLACE HAS BEEN TEST-FIRED TO ASSURE ITS OPERATION AND QUALITY!

BGD36CF

Maximum input for the BGD36CF is 17,000 BTU/h for natural gas and propane. Maximum output for natural gas and propane is 10,900 BTU/hr at an efficiency of 64% with the fan on. The A.F.U.E. (annual fuel utilization efficiency) rating is 53% for natural gas and propane.

BGD42CF

Maximum input for the BGD42CF is 24,000 BTU/hr for natural gas and propane. Maximum output for natural gas and propane is 16,000 BTU/hr at an efficiency of 67% with the fan on. The A.F.U.E. (annual fuel utilization efficiency) rating is 61.5% for natural gas and propane.

W415-0566 / E / 09.28.07

When the fireplace is installed at elevations above 4,500ft, and in the absence of specific recommendations from the local authority having jurisdiction, the certified high altitude input rating shall be reduced at the rate of 4% for each additional 1,000ft.

Minimum inlet gas supply pressure is 4.5 inches water column for natural gas and 11 inches water column for propane.

Maximum inlet gas pressure is 7 inches water column for natural gas and 13 inches water column for propane. Manifold pressure under flow conditions is 3.5 inches water column for natural gas and 10 inches water column for propane.

This fireplace is approved for bathroom, bedroom and bed-sitting room installations and is suitable for mobile home installation.

No external electricity (110 volts or 24 volts) is required for the gas system operation.

Expansion / contraction noises during heating up and cooling down cycles are normal and are to be expected.



Use only accessories designed for and listed with your specific fireplace.

Provide adequate ventilation air. Provide adequate accessibility clearance for servicing and operating the fireplace. Never obstruct the front opening of the fireplace.

Objects placed in front of the fireplace must be kept a minimum of 48" away from the front face of the unit.

CARE OF GLASS, AND PLATED PARTS

Do not use abrasive cleaners to clean plated parts. Buff lightly with a clean dry cloth. The BGD36CF and BGD42CF are factory equipped with tempered glass. The glass thickness is 3/16" for both models. Use only replacement glass available from your Napoleon dealer. **DO NOT SUBSTITUTE MATERIALS.** Clean the glass after the first 10 hours of operation with a recommended gas fireplace glass cleaner. Thereafter clean as required. **DO NOT CLEAN GLASS WHEN HOT!** If the glass is not kept clean permanent discoloration and / or blemishes may result.

UNIT DIMENSIONS

BGD36CF

FIGURE 1

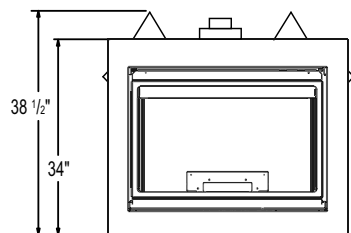


FIGURE 2

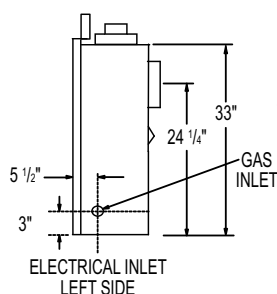


FIGURE 4

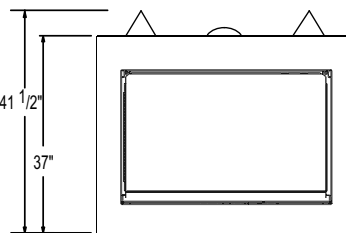


FIGURE 5

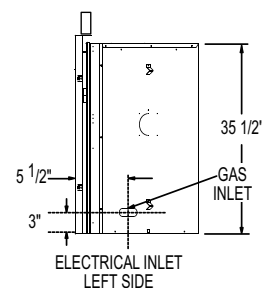


FIGURE 3

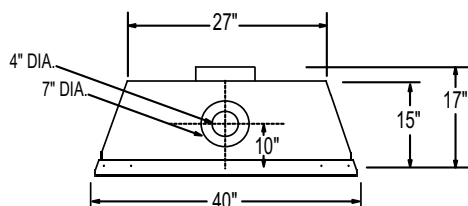
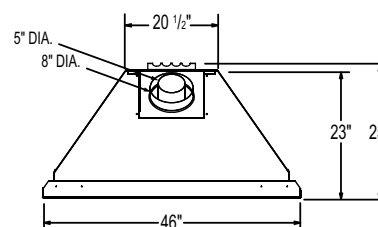


FIGURE 6



VENTING

THE BGD36CF USES: 4" EXHAUST / 7" AIR INTAKE VENT PIPE

THE BGD42CF USES: 5" EXHAUST / 8" AIR INTAKE VENT PIPE

MODEL BGD36CF MAY BE VENTED EITHER AS A TOP VENT OR A REAR VENT.

REFER TO THE SECTION APPLICABLE TO YOUR INSTALLATION.

For safe and proper operation of the fireplace follow the venting instruction exactly.

Deviation from the minimum vertical vent length can create difficulty in burner start-up and/or carboning.

Provide a means for visually checking the vent connection to the fireplace after the fireplace is installed.

Vent lengths that pass through unheated spaces (attics, garages, crawl spaces) should be insulated with the insulation wrapped in a protective sleeve to minimize condensation.

VENTING LENGTHS

Use only Wolf Steel, Simpson Dura-Vent, Selkirk Direct Temp or American Metal Amerivent venting components. Minimum and maximum vent lengths, for both horizontal and vertical installations, and air terminal locations for either system are set out in this manual and must be adhered to. For Simpson Dura-Vent, Selkirk Direct Temp and American Metal Amerivent, follow the installation procedure provided with the venting components.

All outer pipe joints of these venting systems must be sealed using Red RTV High Temperature Sealant.

A starter adaptor must be used with the following vent systems and may be purchased from the corresponding supplier:

PART	4"/7"	5"/8"	SUPPLIER
Duravent	W175-0053	W175-0170	Wolf Steel
Amerivent	4DSC-N2	5DSC-N	American Metal
Direct Temp	4DT-AAN	5DT-AA	Selkirk

For vent systems that provide seals on the inner exhaust flue, only the outer air intake joints must be sealed using a red high temperature silicone (RTV). This same sealant may be used on both the inner exhaust and outer intake vent pipe joints of all other approved vent systems except for the exhaust vent pipe connection to the fireplace flue collar which must be sealed using the black high temperature sealant Mill Pac.

BGD36CF

When using Wolf Steel venting components, use only approved Wolf Steel rigid / flexible components with the following termination kits: WALL TERMINAL KIT **GD222**, or 1/12 to 7/12 PITCH ROOF TERMINAL KIT **GD110**, 8/12 to 12/12 ROOF TERMINAL KIT **GD111**, FLAT ROOF TERMINAL KIT **GD112** or PERISCOPE KIT **GD201** (for wall penetration below grade). With flexible venting, in conjunction with the various terminations, use either the 5 FOOT VENT KIT **GD220** or the 10 FOOT VENT KIT **GD330**.

BGD42CF

When using Wolf Steel venting components, use only approved Wolf Steel flexible components with the following termination kits: WALL TERMINAL KIT **GD422**, or 1/12 to 7/12 PITCH ROOF TERMINAL KIT **GD410**, 8/12 to 12/12 ROOF TERMINAL KIT **GD411**, FLAT ROOF TERMINAL KIT **GD412** or PERISCOPE KIT **GD401** (for wall penetration below grade). With flexible venting, in conjunction with the various terminations, use either the 5 FOOT VENT KIT **GD420** or the 10 FOOT VENT KIT **GD430**.

Wolf Steel, Simpson Dura-Vent, Selkirk Direct Temp or American Metal Amerivent venting systems must not be combined. Wolf Steel rigid and flexible venting systems must not be combined.

These vent kits allow for either horizontal or vertical venting of the fireplace. The maximum allowable horizontal run is 20 feet. The maximum allowable vertical vent length is 40 feet. The maximum number of vent connections is two horizontally or three vertically (excluding the fireplace and the air terminal connections) when using aluminum flexible venting. **For optimum flame appearance and fireplace performance, keep the vent length and number of elbows to a minimum.**

REQUIRED RISE ON HORIZONTAL VENTING			
		BGD36CF	BGD42CF
REAR VENT	RIGID VENTING	0" / FT	0" / FT
	FLEXIBLE VENTING	0" / FT	0" / FT
TOP VENT	RIGID VENTING	0" / FT	0" / FT
	FLEXIBLE VENTING	0" / FT	0" / FT
CORNER	RIGID VENTING	0"	0"
	FLEXIBLE VENTING	6"	0"

BGD36CF

MINIMUM CLEARANCE TO COMBUSTIBLE CONSTRUCTION FROM FIREPLACE AND VENT SURFACES:	
Combustible framing:	
Sides, back, bottom and top* of the unit	0 inches to stand-offs
Combustible Fireplace Finishing:	
Sides, bottom and top**	0 inches to fireplace edge
Enclosure top	8 1/4 inches
Recessed depth	14 inches
Top***, sides and bottom of the vent pipe	1 inch
Top of vent pipe	2 inches

* Use a steel header if the optional clean face surround is to be installed.
 ** A minimum of 6 1/2 inches of cement board or non-combustible equivalent must be installed above the top of the fireplace if the optional clean face surround is to be installed.
 *** **HORIZONTAL TERMINATION** - A clearance to combustibles of 1" at the bottom and sides of the vent and 2" at the top must be maintained when penetrating combustible walls. The firestop spacer (W010-1774) supplied with the unit must be used to maintain this clearance.
VERTICAL TERMINATION - Only a clearance to combustibles of 1" all around the vent pipe is required when penetrating combustible floors or ceilings.

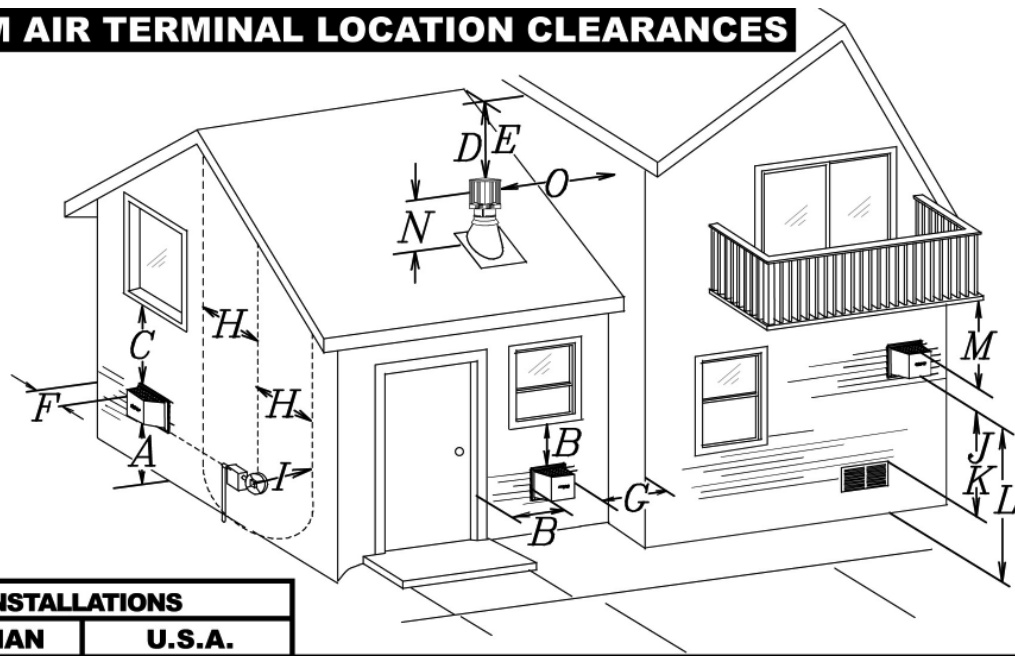
BGD42CF

MINIMUM CLEARANCE TO COMBUSTIBLE CONSTRUCTION FROM FIREPLACE AND VENT SURFACES:	
Non-combustible framing:	
Top	Use a steel header on the stand-off
Combustible framing:	
Sides, back and bottom of the unit	0 inches to stand-offs
Non-combustible finishing:	
Top	6 1/2 inches to fireplace edge
Combustible fireplace finishing:	
Sides and bottom	0 inches to fireplace edge
Enclosure top	13 1/2 inches to top of fireplace
Recessed depth	25 inches
Top****, sides and bottom of vent pipe	1 inch
Top of vent pipe	2 inches
Vent heat shield	1 inch

**** **HORIZONTAL TERMINATION** - A clearance to combustibles of 1" at the bottom and sides of the vent and 2" at the top must be maintained when penetrating combustible walls. The firestop spacer (W010-1778) supplied with the unit must be used to maintain this clearance.
VERTICAL TERMINATION - Only a clearance to combustibles of 1" all around the vent pipe is required when penetrating combustible floors or ceilings.

MINIMUM AIR TERMINAL LOCATION CLEARANCES

FIGURE 7



INSTALLATIONS			
	CANADIAN	U.S.A.	
A	12 INCHES	12 INCHES	Clearance above grade, veranda porch, deck or balcony.
B	12 INCHES	9 INCHES	Clearance to windows or doors that open.
C	12 INCHES*	12 INCHES*	Clearance to permanently closed windows.
D	18 INCHES** (32 INCHES BGD42CF)	18 INCHES** (32 INCHES BGD42CF)	Vertical clearance to ventilated soffit located above the terminal within a horizontal distance of 2 feet from the centerline of the terminal.
E	12 INCHES** (32 INCHES BGD42CF)	12 INCHES** (32 INCHES BGD42CF)	Clearance to unventilated soffit.
F	0 INCHES	0 INCHES	Clearance to an outside corner wall.
G	0 INCHES***	0 INCHES***	Clearance to an inside <i>non</i> -combustible corner wall or protruding <i>non</i> -combustible obstructions (chimney, etc.).
	2 INCHES***	2 INCHES***	Clearance to an inside combustible corner wall or protruding combustible obstructions (vent chase, etc.).
H	3 FEET	3 FEET****	Clearance to each side of the centerline extended above the meter / regulator assembly to a maximum vertical distance of 15ft.
I	3 FEET	3 FEET****	Clearance to a service regulator vent outlet.
J	12 INCHES	9 INCHES	Clearance to a non-mechanical air supply inlet to the building or a combustion air inlet to any other appliance.
K	6 FEET	3 FEET†	Clearance to a mechanical air supply inlet.
L	7 FEET‡	7 FEET****	Clearance above a paved sidewalk or paved driveway located on public property unless fitted with a heat shield kit GD-301.
M	12 INCHES†† (32 INCHES BGD42CF)	12 INCHES**** (32 INCHES BGD42CF)	Clearance under a veranda, porch, deck or balcony.
N	16 INCHES	16 INCHES	Clearance above the roof.
O	2 FEET†*	2 FEET†*	Clearance from an adjacent wall including neighbouring buildings.

* Recommended to prevent condensation on windows and thermal breakage

** It is recommended to use a heat shield and to maximize the distance to vinyl clad soffits.

*** The periscope kits GD-201 and GD401 requires a minimum 18 inches clearance from an inside corner.

**** This is a recommended distance. For additional requirements check local codes.

† 3 feet above if within 10 feet horizontally.

‡ A vent shall not terminate directly above a sidewalk or paved driveway that is located between two single family dwellings and serves both dwellings.

†† Permitted only if the veranda, porch, or deck is fully open on a minimum of two sides beneath the floor.

†* Recommended to prevent recirculation of exhaust products. For additional requirements check local codes.

TYPICAL MINIMUM AND MAXIMUM VENT LENGTHS

BGD36CF

REAR EXIT

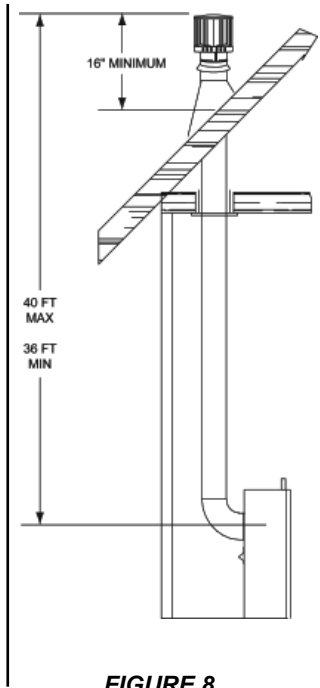


FIGURE 8

TOP EXIT

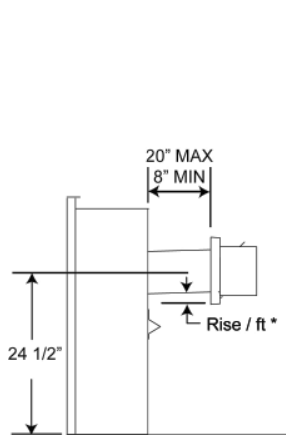


FIGURE 9

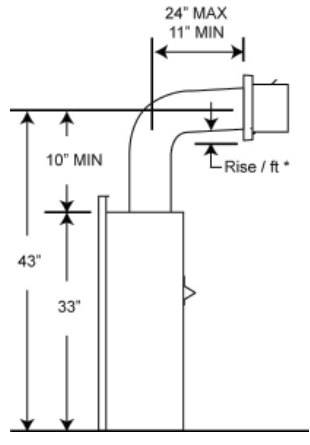


FIGURE 10

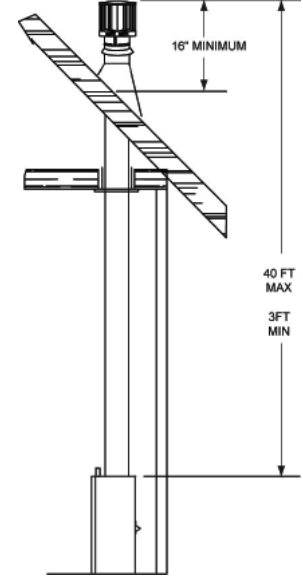


FIGURE 11

* See Venting Section

For optimum performance, it is recommended that all horizontal runs have a 1 inch rise per foot.

When terminating vertically, the vertical rise is a minimum 36 inches and a maximum 40 feet from the centre of the fireplace flue outlet.

BGD42CF

NOTE: When terminating vertically, the restrictor plate W500-0205 must be installed. Refer to Restricting Vertical Vents.

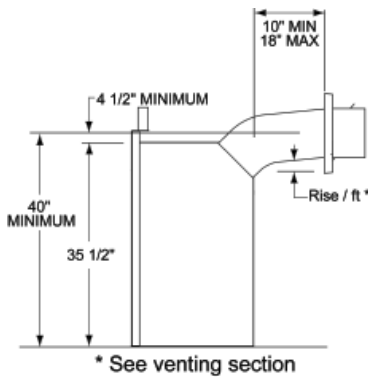


FIGURE 12

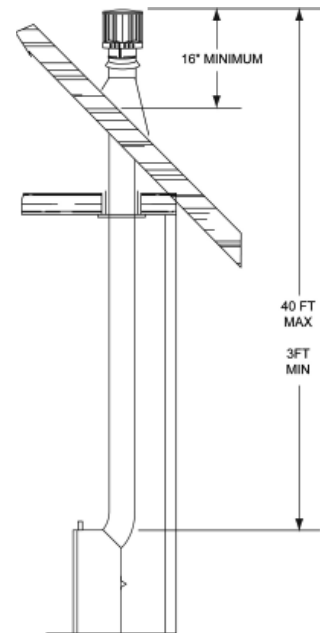


FIGURE 13

SPECIAL VENT INSTALLATIONS

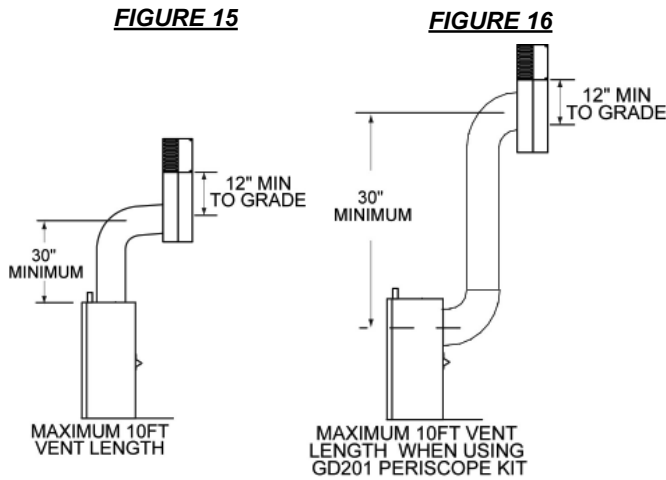
BGD36CF

PERISCOPE TERMINATION

For optimum performance, it is recommended that all horizontal runs have a 1 inch rise per foot.

When terminating vertically, the vertical rise is a minimum 36 inches and a maximum 40 feet from the centre of the fireplace flue outlet.

Use the GD201 periscope kit to locate the air termination above grade. The periscope must be installed so that when final grading is completed, the bottom air slot is located a minimum of 12 inches above grade. The maximum allowable vent length depends on the model of fireplace, as illustrated.



TOP EXIT INSTALLATION

REAR EXIT INSTALLATION

CORNER TERMINATION

The maximum vent length for a corner installation is 20 inches of horizontal run, in addition to the 45° offset. In this case zero rise is acceptable when using rigid. See FIGURE 18. Flexible venting must maintain a 6" rise. See FIGURE 19.

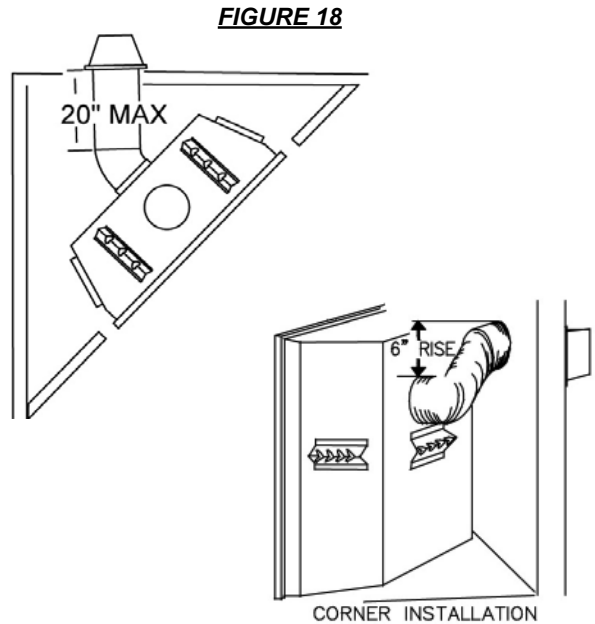


FIGURE 19

BGD42CF

PERISCOPE TERMINATION

Use the GD401 periscope kit to locate the air termination above grade. The periscope must be installed so that when final grading is completed, the bottom air slot is located a minimum of 12 inches above grade.

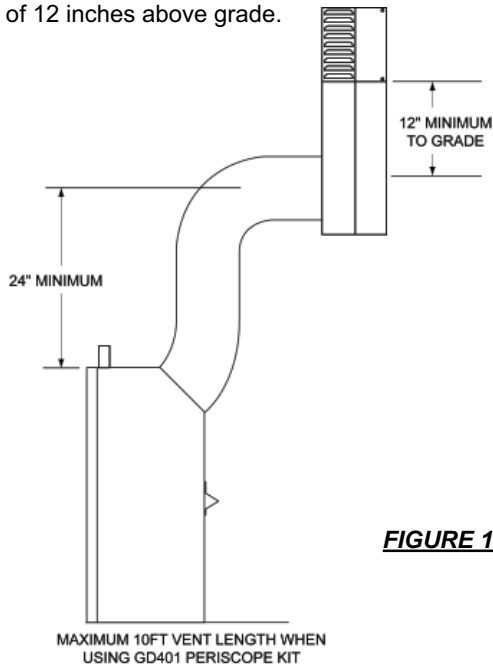
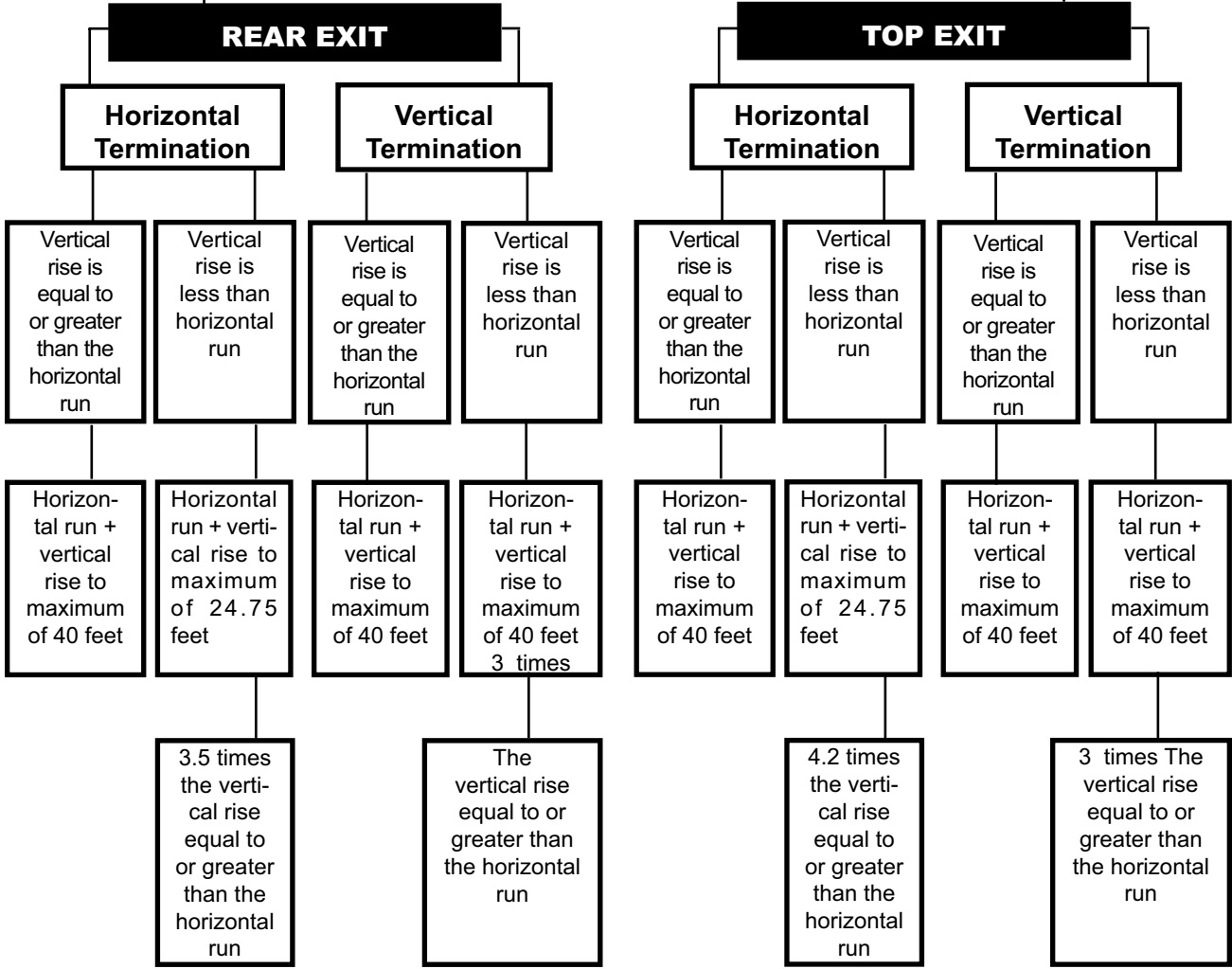


FIGURE 17

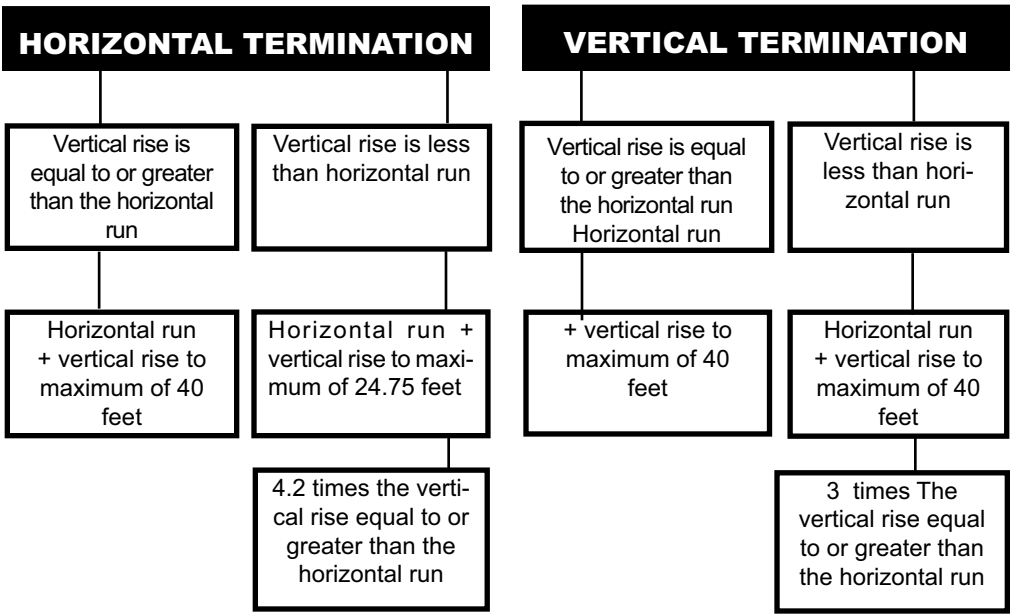
VENTING APPLICATION FLOW CHART

BGD36CF

FIREPLACE VENT EXIT



BGD42CF



DEFINITIONS	
for the following symbols used in the venting calculations and examples are:	
>	- greater than
≥	- equal to or greater than
<	- less than
≤	- equal to or less than
H_T	- total of both horizontal vent lengths (H_R) and offsets (H_o) in feet
H_R	- combined horizontal vent lengths in feet
H_o	- offset factor: $.03(\text{total degrees of offset} - 90^\circ)$ in feet
V_T	- combined vertical vent lengths in feet

ELBOW VENT LENGTH VALUES		
	feet	inches
1°	0.03	0.5
15°	0.45	6.0
30°	0.9	11.0
45°	1.35	16.0
90°*	2.7	32.0

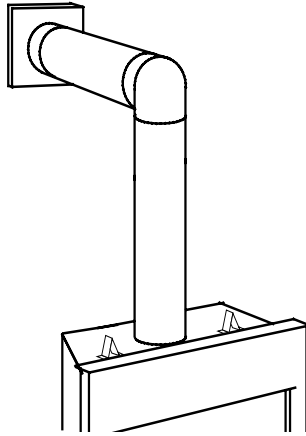
* the first 90° offset has a zero value and is shown in the formula as -90°

BGD36CF TOP EXIT / HORIZONTAL TERMINATION

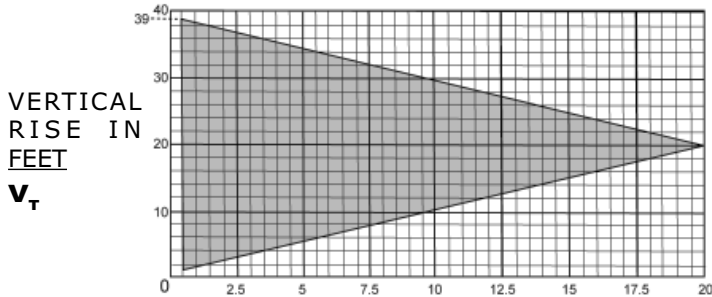
when $(H_T) \leq (V_T)$

Simple venting configuration (only one 90° elbow)
See graph to determine the required vertical rise V_T for the required horizontal run H_T .

FIGURE 20



For vent configurations requiring more than one 90° elbow, the following formulas apply:



HORIZONTAL VENT RUN PLUS OFFSET IN FEET H_T

The shaded area within the lines represents acceptable values for H_T and V_T .

Formula 1: $H_T \leq V_T$

Formula 2: $H_T + V_T \leq 40$ feet

Example 1:

$V_1 = 3$ ft

$V_2 = 8$ ft

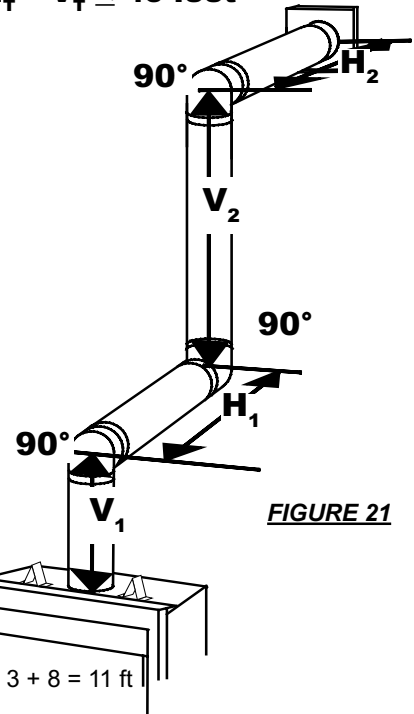


FIGURE 21

$V_T = V_1 + V_2 = 3 + 8 = 11$ ft

$H_1 = 2.5$ ft

$H_2 = 2$ ft

$H_R = H_1 + H_2 = 2.5 + 2 = 4.5$ ft

$H_o = .03(\text{three } 90^\circ \text{ elbows} - 90^\circ) = .03(270^\circ - 90^\circ) = 5.4$ ft

$H_T = H_R + H_o = 4.5 + 5.4 = 9.9$ ft

$H_T + V_T = 9.9 + 11 = 20.9$ ft

Formula 1: $H_T \leq V_T$
 $9.9 \leq 11$

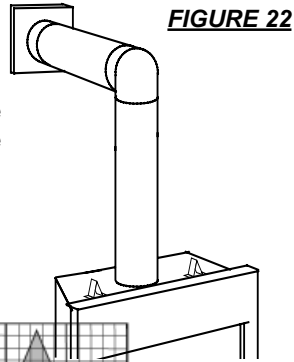
Formula 2: $H_T + V_T \leq 40$ feet
 $20.9 \leq 40$

Since both formulas are met, this vent configuration is acceptable.

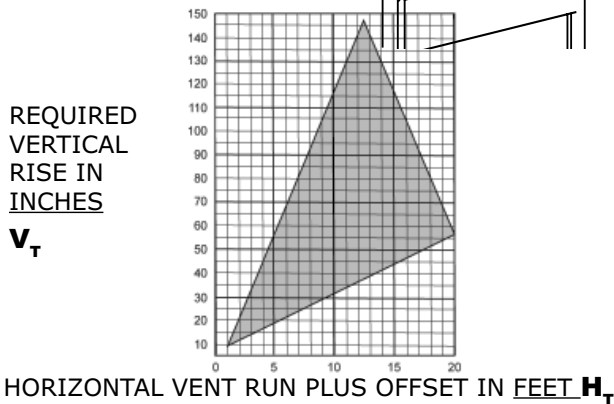
BGD36CF TOP EXIT / HORIZONTAL TERMINATION

when $(H_T) > (V_T)$

Simple venting configuration (only one 90° elbow)



See graph to determine the required vertical rise V_T for the required horizontal run H_T .



HORIZONTAL VENT RUN PLUS OFFSET IN FEET H_T

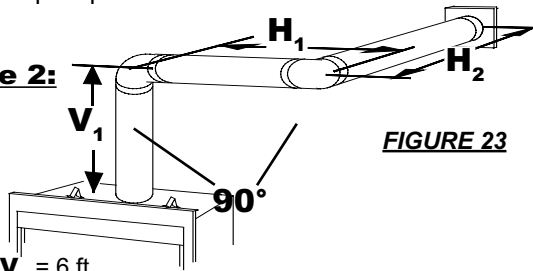
The shaded area within the lines represents acceptable values for H_T and V_T .

For vent configurations requiring more than one 90° elbow the following formulas apply:

Formula 1: $H_T \leq 4.2 V_T$

Formula 2: $H_T + V_T \leq 24.75$ feet

Example 2:



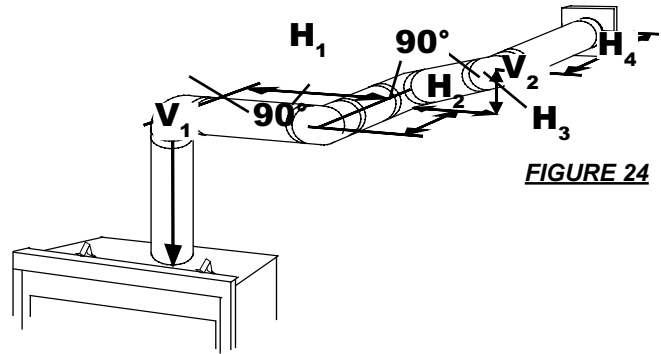
$V_1 = V_T = 6$ ft
 $H_1 = 3$ ft
 $H_2 = 5$ ft
 $H_R = H_1 + H_2 = 3 + 5 = 8$ ft
 $H_O = .03(\text{two } 90^\circ \text{ elbows} - 90^\circ) = .03(180^\circ - 90^\circ) = 2.7$ ft
 $H_T = H_R + H_O = 8 + 2.7 = 10.7$ ft
 $H_T + V_T = 10.7 + 6 = 16.7$

Formula 1: $H_T \leq 4.2 V_T$
 $4.2 V_T = 4.2 \times 6 = 25.2$ ft
 $10.7 \leq 25.2$

Formula 2: $H_T + V_T \leq 24.75$ feet
 $16.7 \leq 24.75$

Since both formulas are met, this vent configuration is acceptable.

Example 3:



$V_1 = 4$ ft
 $V_2 = 1.5$ ft
 $V_T = V_1 + V_2 = 4 + 1.5 = 5.5$ ft
 $H_1 = 2$ ft
 $H_2 = 1$ ft
 $H_3 = 1$ ft
 $H_4 = 1.5$ ft
 $H_R = H_1 + H_2 + H_3 + H_4 = 2 + 1 + 1 + 1.5 = 5.5$ ft
 $H_O = .03(\text{four } 90^\circ \text{ elbows} - 90^\circ) = .03(360^\circ - 90^\circ) = 8.1$ ft
 $H_T = H_R + H_O = 5.5 + 8.1 = 13.6$ ft
 $H_T + V_T = 13.6 + 5.5 = 19.1$ ft

Formula 1: $H_T \leq 4.2 V_T$
 $4.2 V_T = 4.2 \times 5.5 = 23.1$ ft

$13.6 \leq 23.1$

Formula 2: $H_T + V_T \leq 24.75$ feet
 $19.1 \leq 24.75$

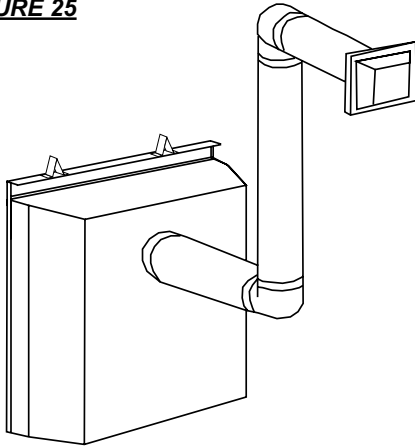
Since both formulas are met, this vent configuration is acceptable.

BGD36CF REAR EXIT / HORIZONTAL TERMINATION

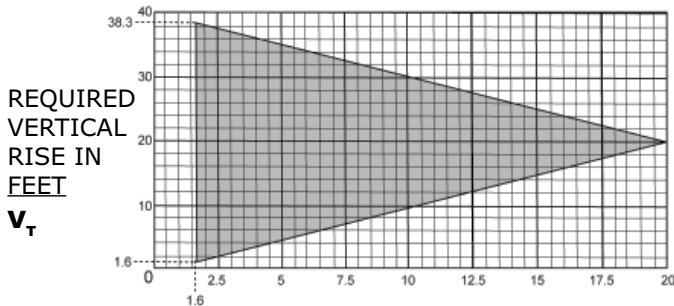
when $(H_T) \leq (V_T)$

Simple venting configuration (only two 90° elbows)
See graph to determine the required vertical rise V_T for the

FIGURE 25



required horizontal run H_T
For vent configurations requiring more than two 90° elbows



HORIZONTAL VENT RUN PLUS OFFSETS IN FEET H_T
The shaded area within the lines represents acceptable values for H_T and V_T .

the following formulas apply:

Formula 1: $H_T \leq V_T$

Formula 2: $H_T + V_T \leq 40 \text{ feet}$

Example 4:

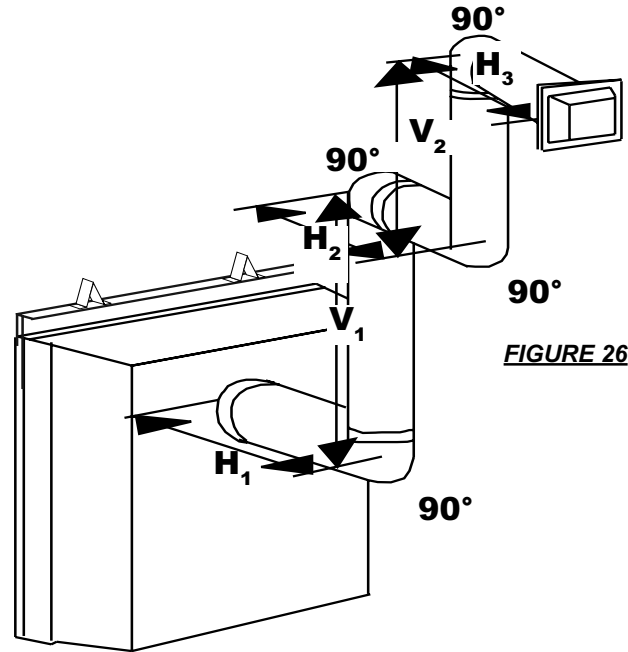


FIGURE 26

- $V_1 = 9 \text{ ft}$
- $V_2 = 6 \text{ ft}$
- $V_T = V_1 + V_2 = 9 + 6 = 15 \text{ ft}$
- $H_1 = 3 \text{ ft}$
- $H_2 = 2 \text{ ft}$
- $H_3 = 1.5 \text{ ft}$
- $H_R = H_1 + H_2 + H_3 = 3 + 2 + 1.5 = 6.5 \text{ ft}$
- $H_o = .03(\text{four } 90^\circ \text{ elbows} - 90^\circ)$
 $= .03(90 + 90 + 90 + 90 - 90) = 8.1 \text{ ft}$
- $H_T = H_R + H_o = 6.5 + 8.1 = 14.6 \text{ ft}$
- $H_T + V_T = 14.6 + 15 = 29.6 \text{ ft}$

Formula 1: $H_T \leq V_T$
 $14.6 \leq 15$

Formula 2: $H_T + V_T \leq 40 \text{ feet}$
 $29.6 \leq 40$

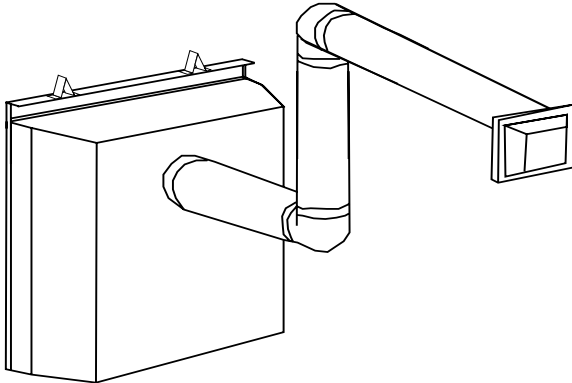
Since both formulas are met, this vent configuration is acceptable.

BGD36CF REAR EXIT / HORIZONTAL TERMINATION

when $(H_T) > (V_T)$

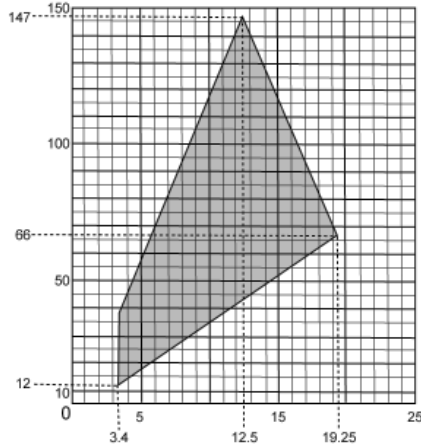
Simple venting configuration (only two 90° elbows)

FIGURE 27



See graph to determine the required vertical rise V_T for the required horizontal run H_T

REQUIRED VERTICAL RISE IN INCHES V_T



HORIZONTAL VENT RUN PLUS OFFSETS IN FEET H_T

The shaded area within the lines represents acceptable values for H_T and V_T .

For vent configurations requiring more than two 90° elbows the following formulas apply:

Formula 1: $H_T \leq 3.5V_T$

Formula 2: $H_T + V_T \leq 24.75$ feet

Example 5:

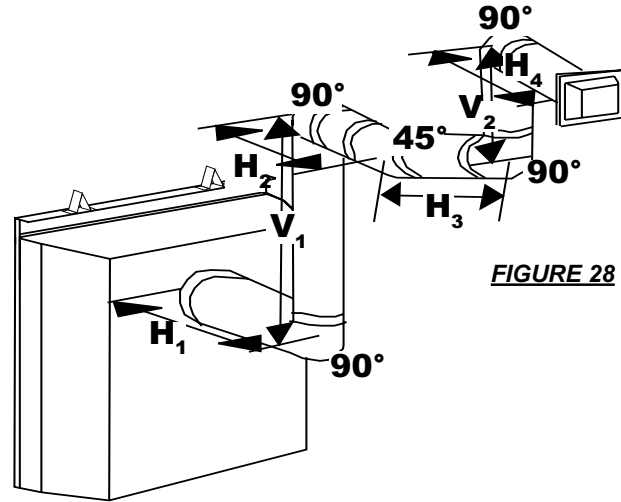


FIGURE 28

- $V_1 = 4$ ft
- $V_2 = 1.5$ ft
- $V_T = V_1 + V_2 = 4 + 1.5 = 5.5$ ft
- $H_1 = 2$ ft
- $H_2 = 1$ ft
- $H_3 = 1$ ft
- $H_4 = 1.5$ ft
- $H_R = H_1 + H_2 + H_3 + H_4 = 2 + 1 + 1 + 1.5 = 5.5$ ft
- $H_o = .03(\text{four } 90^\circ \text{ elbows} + \text{one } 45^\circ \text{ elbow} - 90^\circ)$
 $= .03(90 + 90 + 90 + 90 + 45 - 90) = 9.45$ ft
- $H_T = H_R + H_o = 5.5 + 9.45 = 14.95$ ft
- $H_T + V_T = 14.95 + 5.5 = 20.45$ ft

Formula 1: $H_T \leq 3.5V_T$
 $3.5V_T = 3.5 \times 5.5 = 19.25$ ft
 $14.95 \leq 19.25$

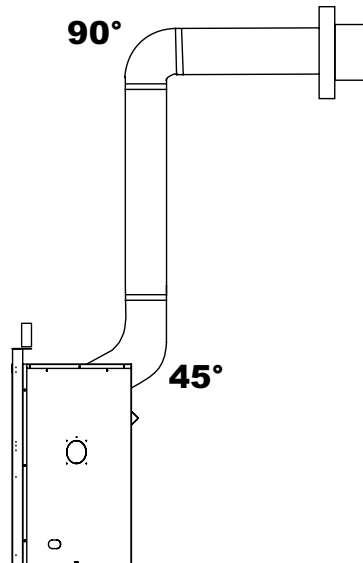
Formula 2: $H_T + V_T \leq 24.75$ feet
 $20.45 \leq 24.75$

Since both formulas are met, this vent configuration is acceptable.

BGD42CF HORIZONTAL TERMINATION

when $(H_T) \leq (V_T)$
 Simple venting configuration (only one 45° and 90° elbow)

FIGURE 29



For vent configurations requiring more than one 45° and 90° elbow, the following formulas apply:

Formula 1: $H_T < V_T$

Formula 2: $H_T + V_T < 40$ feet

Example 1:

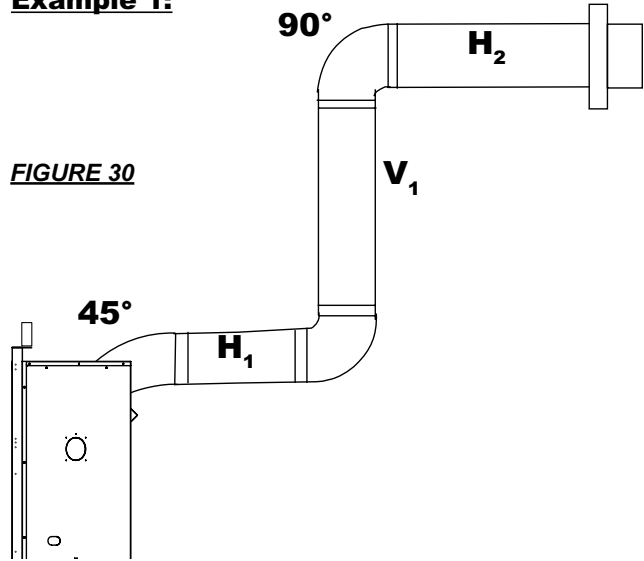


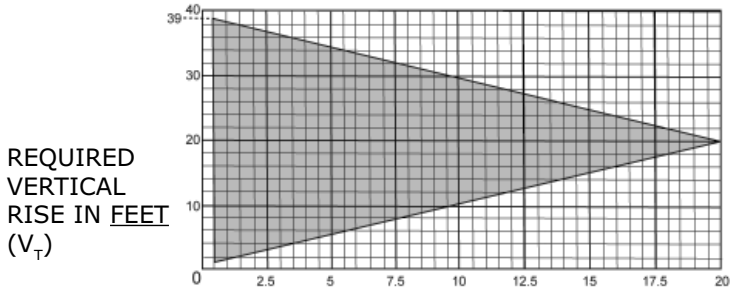
FIGURE 30

- $V_1 = 8$ ft
- $V_T = V_1 = 8$ ft
- $H_1 = 2.5$ ft
- $H_2 = 2$ ft
- $H_R = H_1 + H_2 = 2.5 + 2 = 4.5$ ft
- $H_o = .03(\text{one } 45^\circ \text{ elbows} + \text{two } 90^\circ \text{ elbows} - 135^\circ)$
 $= .03(225 - 135^\circ) = 2.7$ ft
- $H_T = H_R + H_o = 4.5 + 2.7 = 7.2$ ft
- $H_T + V_T = 7.2 + 8 = 15.2$ ft

Formula 1: $H_T \leq V_T$
 $7.2 \leq 8$

Formula 2: $H_T + V_T \leq 40$ feet
 $15.2 \leq 40$

Since both formulas are met, this vent configuration is acceptable.



CALCULATED HORIZONTAL VENT RUN PLUS OFFSETS IN FEET (H_T)

The shaded area within the lines represents acceptable values for H_T and V_T .

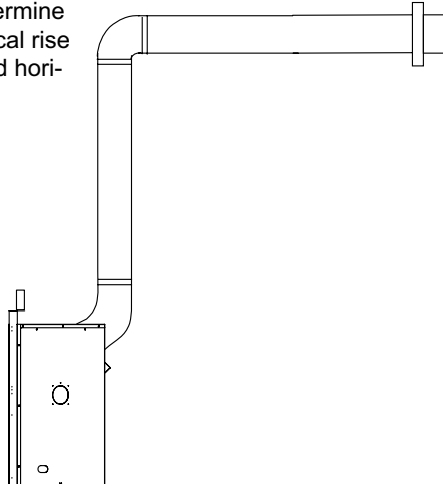
BGD42CF HORIZONTAL TERMINATION

when $(H_T) > (V_T)$

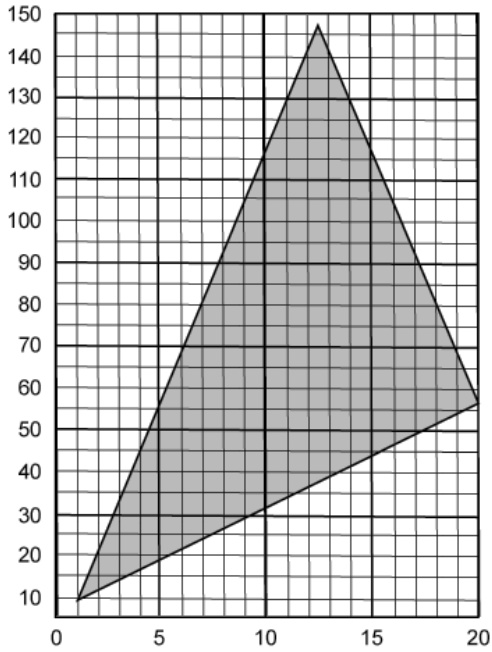
Simple venting configuration (only one 45° and 90° elbow)

See graph to determine the required vertical rise V_T for the required horizontal run H_T .

FIGURE 31



REQUIRED VERTICAL RISE IN INCHES V_T



HORIZONTAL VENT RUN PLUS OFFSETS IN FEET (H_T)

The shaded area within the lines represents acceptable values for H_T and V_T .

For vent configurations requiring more than one 45° and one 90° elbow the following formulas apply:

Formula 1: $H_T < 4.2 V_T$

Formula 2: $H_T + V_T < 24.75$ feet

Example 2:

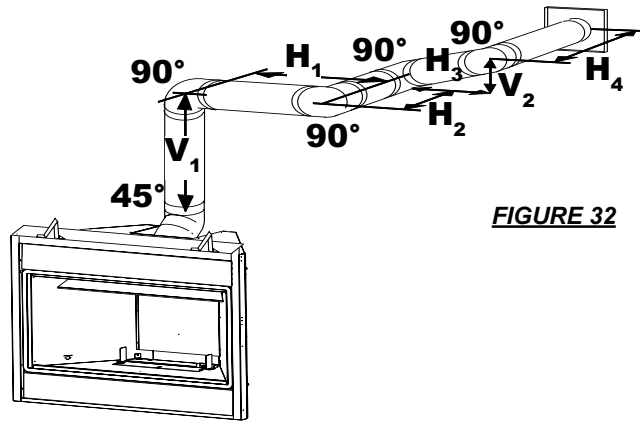


FIGURE 32

- $V_1 = 4$ ft
- $V_2 = 1.5$ ft
- $V_T = V_1 + V_2 = 4 + 1.5 = 5.5$ ft
- $H_1 = 2$ ft
- $H_2 = 1$ ft
- $H_3 = 1$ ft
- $H_4 = 1.5$ ft
- $H_R = H_1 + H_2 + H_3 + H_4 = 2 + 1 + 1 + 1.5 = 5.5$ ft
- $H_0 = .03(\text{one } 45^\circ \text{ elbow} + \text{four } 90^\circ \text{ elbows} - 135^\circ)$
 $= .03(405 - 135) = 8.1$ ft
- $H_T = H_R + H_0 = 5.5 + 8.1 = 13.6$ ft
- $H_T + V_T = 13.6 + 5.5 = 19.1$ ft

Formula 1: $H_T \leq 4.2 V_T$
 $4.2 V_T = 4.2 \times 5.5 = 23.1$ ft
 $13.6 \leq 16.8$

Formula 2: $H_T + V_T \leq 24.75$ feet
 $19.1 \leq 24.75$

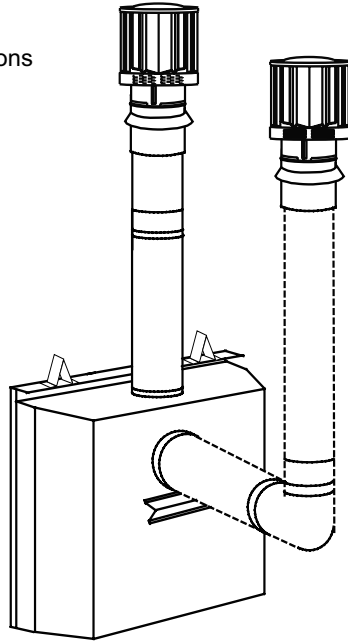
Since both formulas are met, this vent configuration is acceptable.

BGD36CF TOP OR REAR EXIT VERTICAL TERMINATION

when $(H_T) \leq (V_T)$

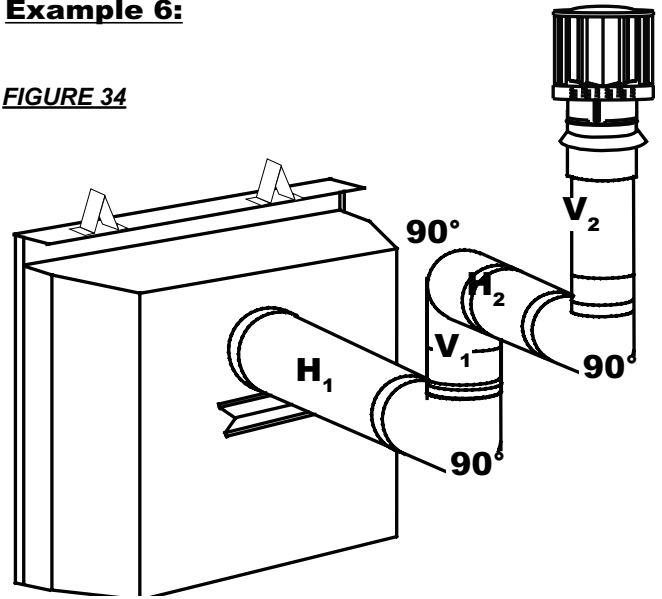
Simple venting configurations

FIGURE 33



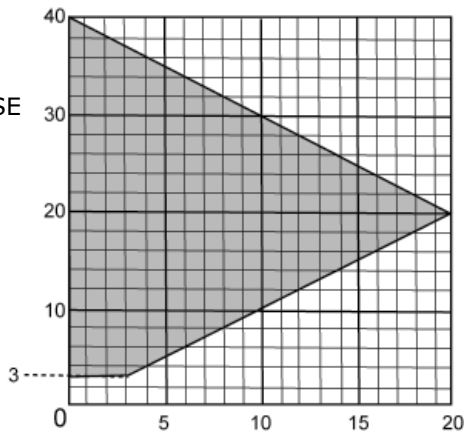
Example 6:

FIGURE 34



REQUIRED VERTICAL RISE IN FEET

V_T



HORIZONTAL VENT RUN PLUS OFFSET IN FEET H_T

The shaded area within the lines represents acceptable values for H_T and V_T .

See graph to determine the required vertical rise V_T for the required horizontal run H_T .

For vent configurations requiring more than zero 90° elbow (top exit) or one 90° elbow (rear exit), the following formulas apply:

Formula 1: $H_T \leq V_T$

Formula 2: $H_T + V_T \leq 40$ feet

- V_1 = 5 ft
- V_2 = 10 ft
- V_T = $V_1 + V_2 = 5 + 10 = 15$ ft
- H_1 = 3 ft
- H_2 = 2.5 ft
- H_R = $H_1 + H_2 = 3 + 2.5 = 5.5$ ft
- H_o = .03(three 90° elbows - 90°)
= .03(90 + 90 + 90 - 90) = 5.4 ft
- H_T = $H_R + H_o = 5.5 + 5.4 = 10.9$ ft
- $H_T + V_T = 10.9 + 15 = 25.9$ ft

Formula 1: $H_T \leq V_T$
10.9 ≤ 15

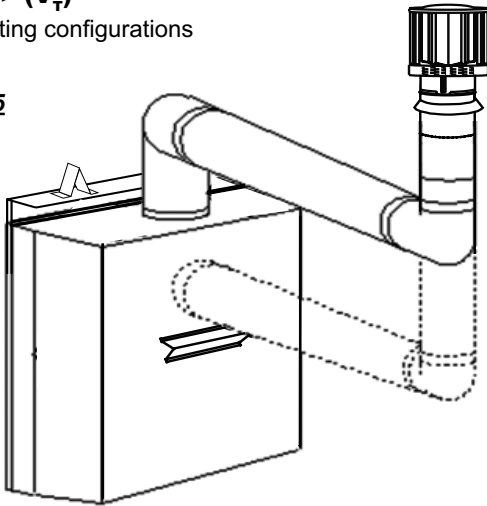
Formula 2: $H_T + V_T \leq 40$ feet
25.9 ≤ 40

Since both formulas are met, this vent configuration is acceptable.

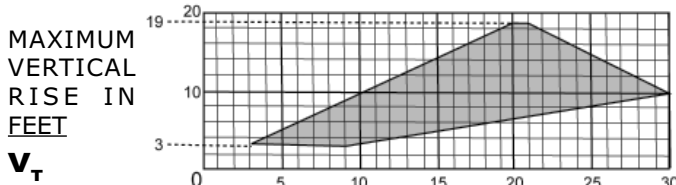
BGD36CF TOP OR REAR EXIT VERTICAL TERMINATION

when $(H_T) > (V_T)$
Simple venting configurations

FIGURE 35



See graph to determine the required vertical rise V_T for the required horizontal run H_T .



HORIZONTAL VENT RUN PLUS OFFSET IN FEET H_T
The shaded area within the lines represents acceptable values for H_T and V_T .

For vent configurations requiring more than two 90° elbow (top exit) or one 90° elbow (rear exit), the following formulas apply:

- Formula 1:** $H_T \leq 3V_T$
- Formula 2:** $H_T + V_T \leq 40$ feet

Example 7:

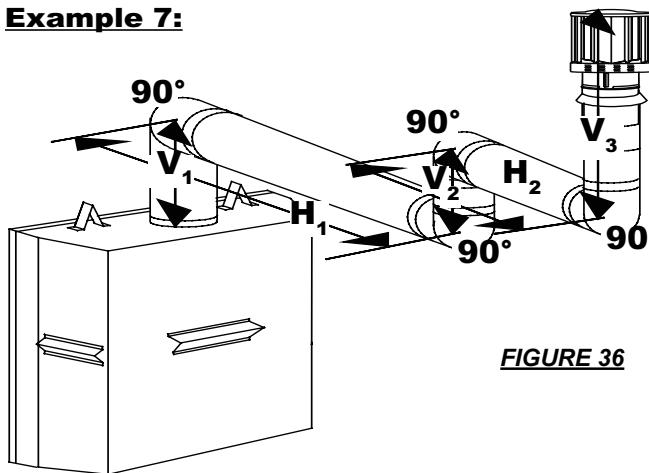


FIGURE 36

$$\begin{aligned}
 V_1 &= 2 \text{ ft} \\
 V_2 &= 1 \text{ ft} \\
 V_3 &= 1.5 \text{ ft} \\
 V_T &= V_1 + V_2 + V_3 = 2 + 1 + 1.5 = 4.5 \text{ ft} \\
 H_1 &= 6 \text{ ft} \\
 H_2 &= 2 \text{ ft} \\
 H_R &= H_1 + H_2 = 6 + 2 = 8 \text{ ft} \\
 H_0 &= .03(\text{four } 90^\circ \text{ elbows} - 90^\circ) \\
 &= .03(90 + 90 + 90 + 90 - 90) = 8.1 \text{ ft} \\
 H_T &= H_R + H_0 = 8 + 8.1 = 16.1 \text{ ft} \\
 H_T + V_T &= 16.1 + 4.5 = 20.6 \text{ ft}
 \end{aligned}$$

Formula 1: $H_T \leq 3V_T$
 $3V_T = 3 \times 4.5 = 13.5$
 $16.1 > 13.5$

Since this formula is not met, this vent configuration is **unacceptable**.

Formula 2: $H_T + V_T \leq 40$ feet
 $20.6 \leq 40$

Since only formula 2 is met, this vent configuration is unacceptable and a new fireplace location or vent configuration will need to be established to satisfy both formulas.

Example 8:

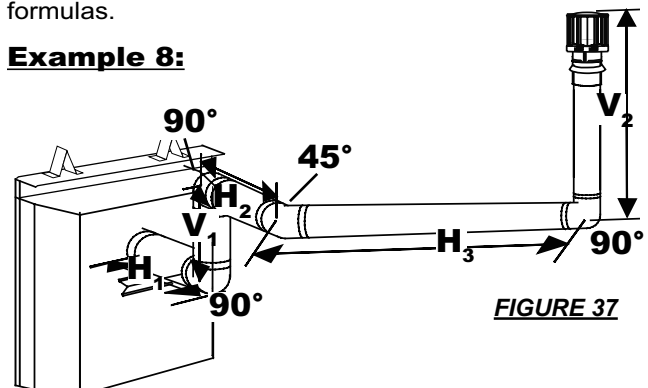


FIGURE 37

$$\begin{aligned}
 V_1 &= 1.5 \text{ ft} \\
 V_2 &= 5 \text{ ft} \\
 V_T &= V_1 + V_2 = 1.5 + 5 = 6.5 \text{ ft} \\
 H_1 &= 1 \text{ ft} \\
 H_2 &= 1 \text{ ft} \\
 H_3 &= 10.75 \text{ ft} \\
 H_R &= H_1 + H_2 + H_3 = 1 + 1 + 10.75 = 12.75 \text{ ft} \\
 H_0 &= .03(\text{three } 90^\circ \text{ elbows} + \text{one } 45^\circ \text{ elbow} - 90^\circ) \\
 &= .03(90 + 90 + 90 + 45 - 90) = 6.75 \text{ ft} \\
 H_T &= H_R + H_0 = 12.75 + 6.75 = 19.5 \text{ ft} \\
 H_T + V_T &= 19.5 + 6.5 = 26 \text{ ft}
 \end{aligned}$$

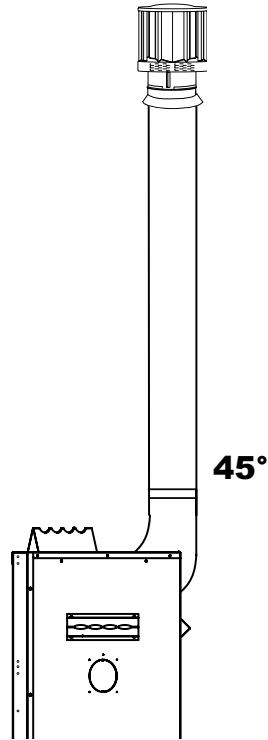
Formula 1: $H_T \leq 3V_T$
 $3V_T = 3 \times 6.5 = 19.5$ ft

From inside the firebox, insert the 4" flue pipe assembly (provided) through the rear of the firebox. Secure the assembly to the rear and top of the unit using 4 #8 x 3/4 inch Hex Head Wildrill screws supplied.

BGD42CF VERTICAL TERMINATION

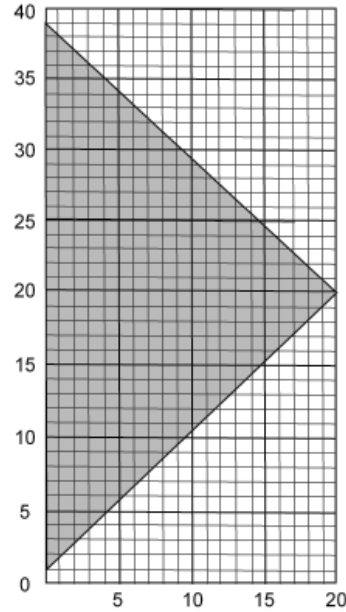
when $(H_T) < (V_T)$
Simple venting configurations

FIGURE 38



See graph to determine the required vertical rise V_T for the required horizontal run H_T .

MAXIMUM
VERTICAL
RISE IN
FEET
 V_T



HORIZONTAL VENT RUN PLUS OFFSET IN FEET H_T
The shaded area within the lines represents acceptable values for H_T and V_T .

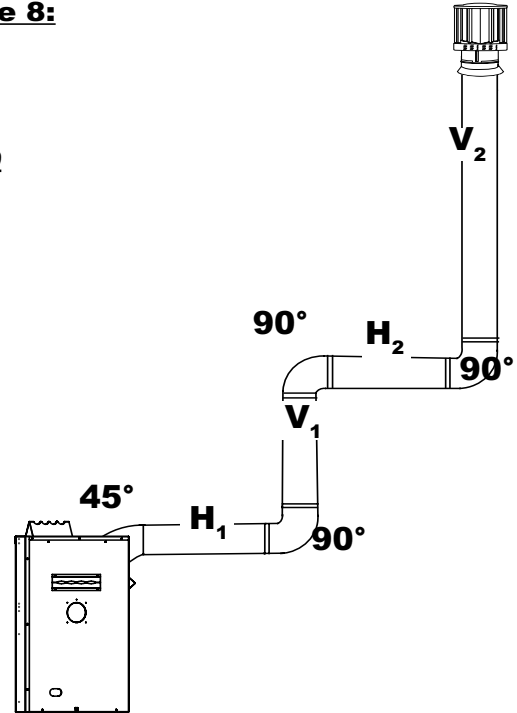
For vent configurations requiring more than one 45° and one 90° elbow the following formulas apply:

Formula 1: $H_T \leq V_T$

Formula 2: $H_T + V_T \leq 40$ feet

Example 8:

FIGURE 39



- V_1 = 5 ft
- V_2 = 10 ft
- V_T = $V_1 + V_2 = 5 + 10 = 15$ ft
- H_1 = 3 ft
- H_2 = 2.5 ft
- H_R = $H_1 + H_2 = 3 + 2.5 = 5.5$ ft
- H_o = .03 (one 45° elbow + three 90° elbows - 135°)
- = .03 (45 + 90 + 90 + 90 - 135) = 5.4 ft
- H_T = $H_R + H_o = 5.5 + 5.4 = 10.9$ ft
- $H_T + V_T = 10.9 + 15 = 25.9$ ft

Formula 1: $H_T \leq V_T$
 $10.9 \leq 15$

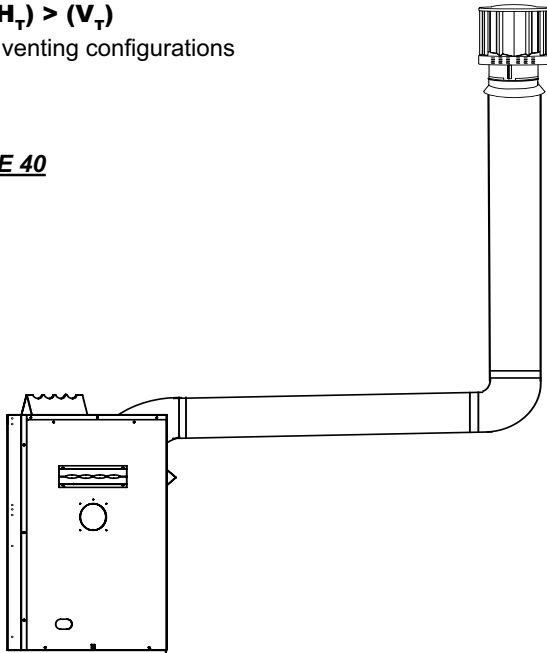
Formula 2: $H_T + V_T \leq 40$ feet
 $25.9 \leq 40$

Since both formulas are met, this vent configuration is acceptable.

BGD42CF VERTICAL TERMINATION

when $(H_T) > (V_T)$
Simple venting configurations

FIGURE 40



- $V_1 = 1$ ft
- $V_2 = 1.5$ ft
- $V_T = V_1 + V_2 = 1 + 1.5 = 2.5$ ft
- $H_1 = 6$ ft
- $H_2 = 2$ ft
- $H_R = H_1 + H_2 = 6 + 2 = 8$ ft
- $H_O = .03$ (one 45° elbow + three 90° elbows - 135°)
- $= .03 (45 + 90 + 90 + 90 - 135) = 5.4$ ft
- $H_T = H_R + H_O = 8 + 5.4 = 13.4$ ft
- $H_T + V_T = 13.4 + 2.5 = 15.9$ ft

Formula 1: $H_T \leq V_T$
 $3V_T = 3 \times 2.5 = 7.5$ ft
 $13.4 \leq 7.5$

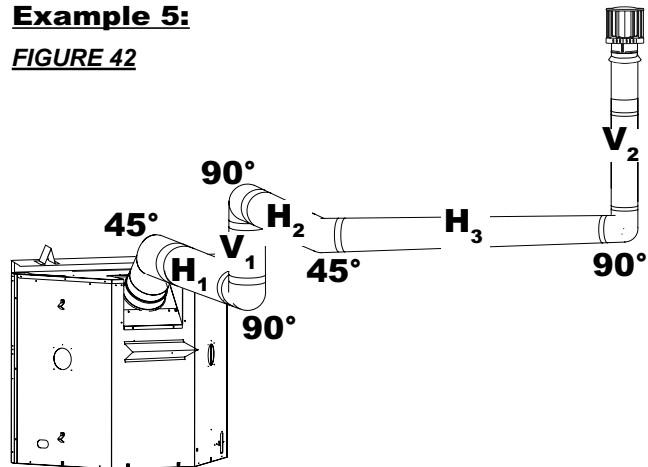
Since this formula is not met, this vent configuration is **unacceptable**.

Formula 2: $H_T + V_T \leq 40$ feet
 $15.9 \leq 40$

Since only formula 2 is met, this vent configuration is unacceptable and a new fireplace location or vent configuration will need to be established to satisfy both formulas.

Example 5:

FIGURE 42



- $V_1 = 1.5$ ft
- $V_2 = 8$ ft
- $V_T = V_1 + V_2 = 1.5 + 8 = 9.5$ ft
- $H_1 = 1$ ft
- $H_2 = 1$ ft
- $H_3 = 10.75$ ft
- $H_R = H_1 + H_2 + H_3 = 1 + 1 + 10.75 = 12.75$ ft
- $H_O = .03$ (two 45° elbows + three 90° elbows - 135°)
- $= .03 (45 + 45 + 90 + 90 + 90 - 135) = 6.75$ ft
- $H_T = H_R + H_O = 12.75 + 6.75 = 19.5$ ft
- $H_T + V_T = 19.5 + 4.5 = 24$ ft

Formula 1: $H_T \leq V_T$
 $3V_T = 3 \times 2.5 = 7.5$ ft
 $13.4 \leq 7.5$

Formula 2: $H_T + V_T \leq 40$ feet
 $24 \leq 40$

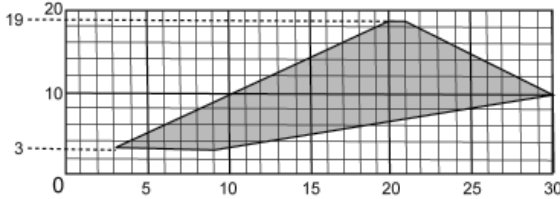
Since both formulas are met, this vent configuration is acceptable.

See graph to determine the required vertical rise V_T for the required horizontal run H_T .

MAXIMUM VERTICAL

RISE

V_T



HORIZONTAL VENT RUN PLUS OFFSET IN FEET H_T

The shaded area within the lines represents acceptable values for H_T and V_T .

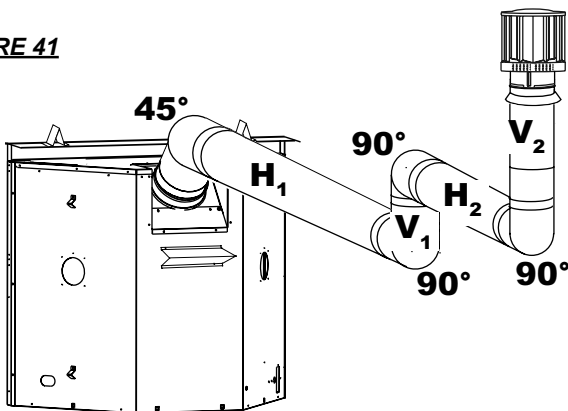
For vent configurations requiring more than one 45° and one 90° elbow the following formulas apply:

Formula 1: $H_T \leq 3V_T$

Formula 2: $H_T + V_T \leq 40$ feet

Example 4:

FIGURE 41



BGD36CF PRE-INSTALLATION PREPARATION

(THIS PROCEDURE IS NOT REQUIRED FOR THE BGD42CF)

For optimum performance, it is recommended that all horizontal runs have a 1 inch rise per foot.
IN ORDER TO OPEN THE MAIN DOOR YOU MUST FIRST REMOVE THE VALVE ACCESS DOOR.

REMOVING THE VALVE ACCESS DOOR

1. The valve access door rotates on the pins attached to the side frame. Lift the valve access door off the pins to operate the main glass door.

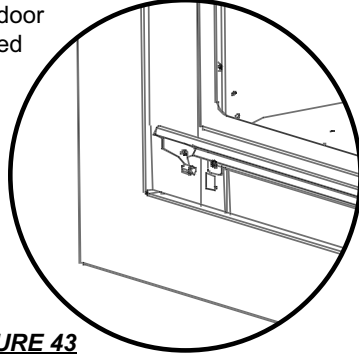


FIGURE 43

REAR EXIT:

Do not overtighten. The gasket needs only to be snug. From inside the firebox, insert the 4" flue pipe assembly (provided) through the rear of the firebox. Secure the assembly to the rear and top of the unit using 4 #8 x 3/4 inch Hex Head Wildrill screws supplied.

Do not over tighten. The gasket needs only to be snug against the firebox. **FIGURE 44.**

FIGURE 44



TOP EXIT:

1. Remove the 7 inch diameter cap from the top of the fireplace and re-secure it over the 7" collar located at the rear of the unit. Press firmly on the cap while securing to ensure an airtight seal. *Do not damage the gasket.*



FIGURE 45

NOTE: FAILURE TO INSTALL THE CAP WILL CAUSE THE FIREPLACE TO FUNCTION IMPROPERLY AND CAN CAUSE INJURY OR PROPERTY DAMAGE.

2. Remove the plate covering the 4" diameter flue opening (seen inside the top of the 7" diameter collar) and discard. *Try not to disturb the retaining ring or the gasket beneath.* Re-secure the ring and gasket using the screws removed from the plate.

3. From inside the firebox, insert the 4" flue pipe assembly through the heat shield and out through the retaining ring. Secure the assembly to the rear and top of the unit using 4 #8 x 3/4 inch Hex Head Wildrill screws supplied. *Do not overtighten.* The gasket needs only to be snug against the firebox. **FIGURE 45.**

This application occurs when venting through an exterior wall. Having determined the air terminal location, cut and frame a hole in an exterior wall with a minimum opening as required. **See Note above.** (As an alternative to framing, a vent pipe shield may be installed, ensure proper clearance to combustibles.)

Before attaching elbows to the collars on the back of the fireplace, 1½" will need to be trimmed off the 4" collar.

INSTALLATION

WALL AND CEILING PROTECTION

NOTE: HORIZONTAL TERMINATION - A clearance to combustibles of 1" at the bottom and sides of the vent and 2" at the top must be maintained when penetrating combustible walls. The firestop spacer (W010-1774, model BGD36CF; W010-1778, model BGD42CF) supplied with the unit must be used to maintain these clearances.

VERTICAL TERMINATION - Only a clearance to combustibles of 1" all around the vent pipe is required. This application occurs when venting through an exterior wall.

HORIZONTAL INSTALLATION

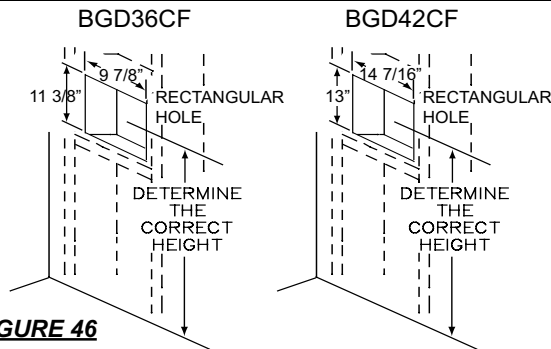


FIGURE 46

BGD36CF ONLY

Having determined the correct height for the air terminal location, cut and frame a hole in the exterior wall 9 7/8 inches wide by 11 3/8 inches high to accommodate the firestop assembly. Dry fit the firestop assembly before proceeding to ensure the brackets on the rear surface fit within the horizontal framing.

As an alternative to framing, the vent pipe/liner can be enclosed in the wall using Napoleon® vent sleeve VS47KT.

NOTE: THE FIRESTOP ASSEMBLY MUST BE INSTALLED WITH THE VENT SHIELD TO THE TOP.

1. Apply a bead of caulking (not supplied) around the outer edge of the inside surface of the firestop assembly, fit the firestop assembly to the hole and secure using the 4 screws (W415-0026) supplied in your manual baggie.
2. Once the vent pipe liner is installed in its final position, apply high temperature sealant (not supplied) between the pipe / liner, and the firestop.

NOTE: DO NOT FILL THE CAVITY BETWEEN THE PIPE / LINER AND THE FIRESTOP SLEEVE WITH ANY TYPE OF MATERIAL.

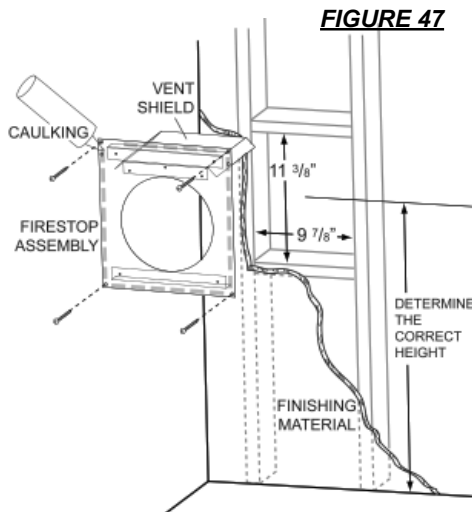


FIGURE 47

BGD42CF ONLY

ADJUSTABLE FIRESTOP INSTALLATION

Apply a bead of caulking all around and place the firestop top, so that the vent shield covers the top of the vent within the opening. Place the firestop bottom against the firestop top and secure the two together. Adjust the assembly to ensure it is tight to the vent. Secure firestop to wall. This restricts cold air from being drawn into the room or around the fireplace. Ensure that both spacer and shield maintain the required clearance to combustibles. Once the vent pipe / liner is installed in its final position, apply sealant between the pipe / liner and the firestop spacer. See figures 48a-c.

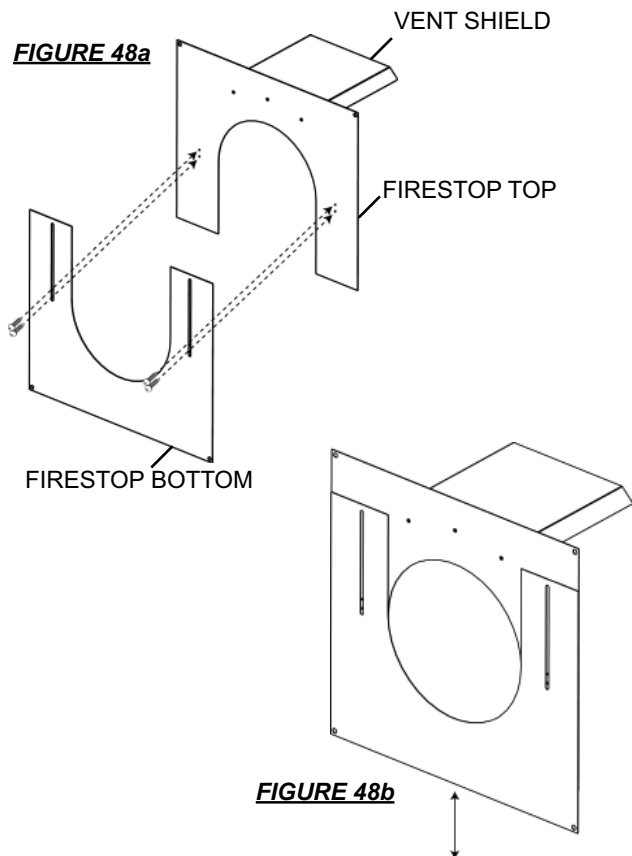


FIGURE 48a

FIGURE 48b

FIGURE 48c

VERTICAL INSTALLATION

Napoleon dealer. See Accessories to order the specific kit required.

1. Determine the air terminal location, cut and frame 9 ½ inch for the BGD36CF, or 10 ½ inch for the BGD42CF openings in the ceiling and the roof to provide the minimum 1 inch clearance between the fireplace pipe / liner and any combustible material. Try to center the your exhaust pipe location midway between two joist to prevent having to cut them. Use a plumb bob to line up the center of the openings.

DO NOT FILL THIS SPACE WITH ANY TYPE OF MATERIAL.

A vent pipe shield will prevent any materials such as insulation, from filling up the 1" air space around the pipe. Nail headers between the joist for extra support.

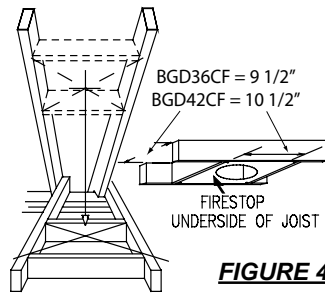


FIGURE 49

2. Apply a bead of caulking (not supplied) to the framework or to the Wolf Steel vent pipe shield plate or equivalent (in the case of a finished ceiling), and secure over the opening in the ceiling. A firestop must be placed on the bottom of each framed opening in a roof or ceiling that the venting system passes through. Apply a bead of caulking all around and place a firestop spacer over the vent shield to restrict cold air from being drawn into the room or around the fireplace. Ensure that both spacer and shield maintain the required clearance to combustibles. Once the vent pipe / liner is installed in its final position, apply sealant between the pipe / liner and the firestop spacer.

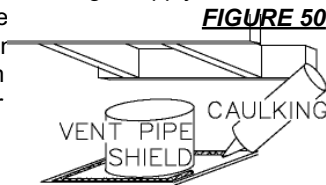


FIGURE 50

NOTE: Two methods to ensure the air terminal covers the cut out in the wall are;

BGD36CF ONLY

Where the opening in the outside wall has been cut 11 3/8" tall to provide the 2" clearance from the vent pipe, terminal extension plate W500-0103 must be used to cover the opening.

BGD36CF & BGD42CF

The first 24" of the top vent pipe must have a 2" clearance to combustible material when run horizontal. This applies to any finishing material or insulation in the wall that the vent pipe passes through within that 24". The clearance from the top of the vent pipe to the combustible material on the outside surface of the wall only requires a 1" clearance from the vent pipe.

USING FLEXIBLE VENT COMPONENTS

Do not allow the inside liner to bunch up on horizontal or vertical runs and elbows. Keep it pulled tight. A 1 1/4" air gap between the liner and outer liner all around is required for safe operation. A spacer is required at the start, middle and end of each elbow to ensure this gap is maintained. **See Figure 51**

THE BGD36CF USES: 4" EXHAUST / 7" AIR INTAKE VENT PIPE
THE BGD42CF USES: 5" EXHAUST / 8" AIR INTAKE VENT PIPE

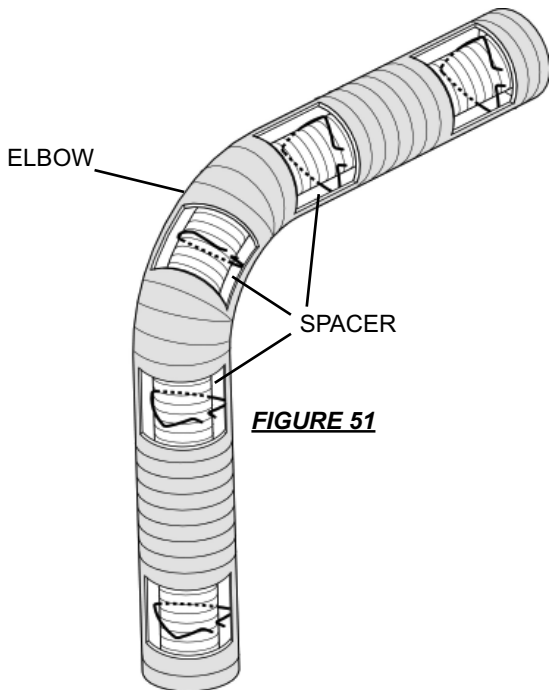


FIGURE 51

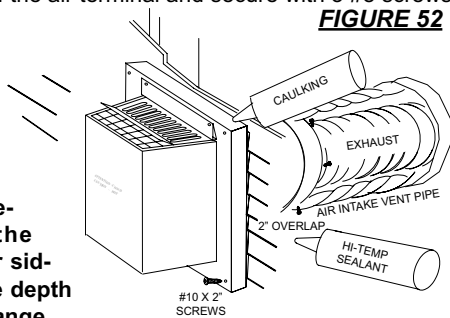
Use only approved aluminum flexible liner kits marked:



HORIZONTAL AIR TERMINAL INSTALLATION

1. Cut or frame a hole in an exterior wall with a minimum opening of (9.5" x 10.5" BGD36CF) or (10.5" x 11.5" BGD42CF). Secure the firestop spacer over the opening to the interior wall.
2. Stretch the exhaust to the required length taking into account the additional length needed for the finished wall surface. Slip the liner a minimum of 2" over the inner sleeve of the air terminal and secure with 3 #8 screws. Apply a heavy bead of the high temperature sealant (not supplied).
3. Using the air intake vent pipe, slide over the outer combustion air sleeve of the air terminal and secure with 3 #8 screws. Seal as before.

FIGURE 52



The air terminal mounting plate may be recessed into the exterior wall or siding by 1 1/2", the depth of the return flange.

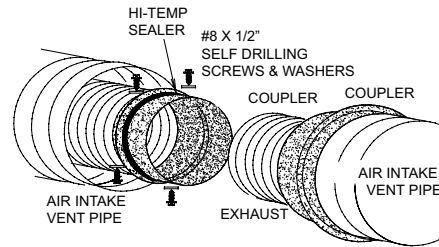


FIGURE 53

4. Insert the liners through the firestop maintaining the required clearance to combustibles. Holding the air terminal (lettering in an upright, readable position), secure to the exterior wall and make weather tight by sealing with caulking (not supplied).
5. Apply a heavy bead of the high temperature sealant to the inside of the exhaust approximately 1" from the end. Slip the liner a minimum of 2" over the fireplace vent collar and secure with 3 #8 screws.
6. Using the air intake vent pipe, apply sealant, slide a minimum of 2" over the fireplace combustion air collar and secure with 3 #8 screws.
7. If more liner needs to be used to reach the fireplace, couple them together as illustrated. The vent system must be supported approximately every 3 feet for both vertical and horizontal runs. Use noncombustible strapping to maintain the minimum 1" clearance to combustibles.
8. **BGD42CF ONLY:** The vent heat shield must be installed only when terminating horizontally with no vertical rise. Remove the two screws nearest the vent collars on the top of the fireplace. Align the vent heat shield (supplied) and secure. Adjust the vent heat shield to touch the firestop spacer.

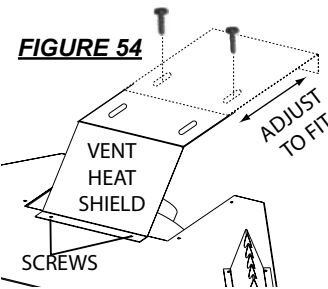


FIGURE 54

VERTICAL AIR TERMINAL INSTALLATION

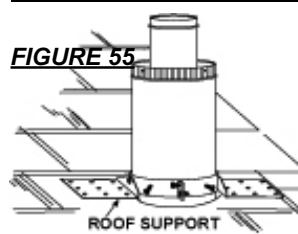


FIGURE 55

1. Fasten the roof support to the roof using the screws provided. The roof support is optional. In this case the venting is to be adequately supported using either an alternate method suitable to the authority having jurisdiction or the optional roof support.

2. Stretch the exhaust to the required length. Slip the liner a minimum of 2" over the inner sleeve of the air terminal and secure with 3 #8 screws. Seal using a heavy bead of the high temperature sealant.
3. Repeat using air intake vent pipe.
4. Thread the air terminal pipe assembly down through the roof. The air terminal must be located vertically and plumb. Attach the air terminal assembly to the roof support, ensuring that a minimum 16" of air terminal will penetrate the roof when fastened.

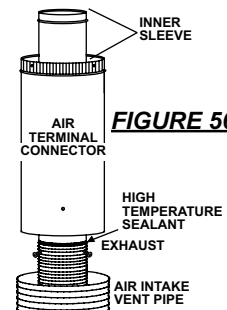


FIGURE 56

DO NOT CLAMP THE FLEXIBLE ALUMINIUM LINER.

5. Remove nails from the shingles, above and to the sides of the chimney. Place the flashing over the air terminal and slide it underneath the sides and upper edge of the shingles. Ensure that the air terminal is properly centred within the flashing, giving a 3/4" margin all around. Fasten to the roof. Do **not** nail through the lower portion of the flashing. Make weather-tight by sealing with caulking. Where possible, cover the sides and top edges of the flashing with roofing material.

6. Apply a heavy bead of weatherproof caulking 2 inches above the flashing. Slide the storm collar around the air terminal and down to the caulking. Tighten to ensure that a weather-tight seal between the air terminal and the collar is achieved. Attach the other storm collar centred between the air intake vent pipe and the air exhaust slots onto the air terminal. Tighten securely. Attach the vertical rain cap.

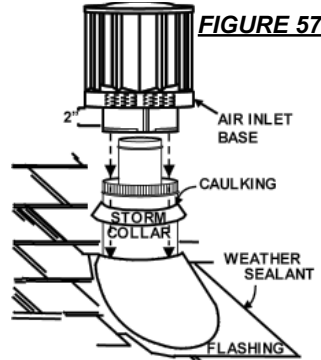


FIGURE 57

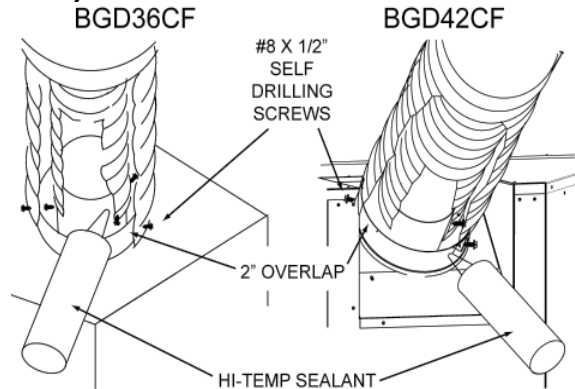
7. If more liner needs to be used to reach the fireplace, couple them together as illustrated. The vent system must be supported approximately every 3 feet for both vertical and horizontal runs. Use noncombustible strapping to

FIREPLACE VENT CONNECTION

maintain a clearance to combustibles of 1".

1. Install the exhaust to the fireplace. Secure with 3 screws and flat washers. Seal the joint and screw holes using W573-0007 10.3oz tube of high temp sealant (not supplied).
2. Install the air intake vent pipe to the fireplace. Attach and seal the joints.

FIGURE 58



USING RIGID VENT COMPONENTS BGD36CF ONLY

HORIZONTAL AIR TERMINAL INSTALLATION

1. Move the fireplace into position. Measure the vent length required between terminal and fireplace taking into account the additional length needed for the finished wall surface and any 1/4" overlaps between venting components.
2. Apply high temperature sealant to the outer edge of the exhaust of the fireplace. Attach the first vent component and secure using 3 self tapping screws. Repeat using air intake liner.
3. Holding the air terminal (lettering in an upright, readable position), insert into both vent pipes with a twisting motion to ensure that both the terminal sleeves engage into the vent pipes and sealant. Secure the terminal to the exterior wall and make weather tight by sealing with caulking (not supplied).

The air terminal mounting plate may be recessed into the exterior wall or siding by 1/2", the depth of the return flange.

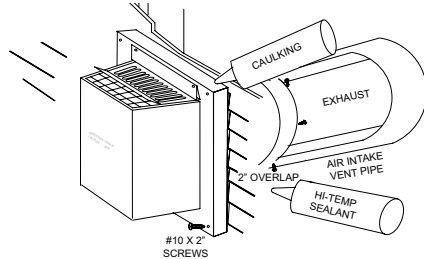


FIGURE 59

BGD36CF

EXTENDED HORIZONTAL AND CORNER AIR TERMINAL INSTALLATION

1. Follow the instructions for "Horizontal Air Terminal Installations", items 1 to 3.
2. Continue adding components alternating inner and outer venting. Ensure that all exhaust venting and elbows have sufficient vent spacers attached and each component is securely fastened to the one prior. Attach the exhaust adjustable vent to the vent run. Repeat using a air intake vent pipe adjustable vent. Secure and seal as before. To facilitate completion, attach exhaust and air intake vent pipe couplers to the air terminal.

3. Install the air terminal. See item 3 of the Horizontal Air Terminal Installation. Extend the exhaust adjustable vent; connect to the air terminal assembly. Fasten with self tapping screws and seal. Repeat using the air intake vent pipe adjustable vent.

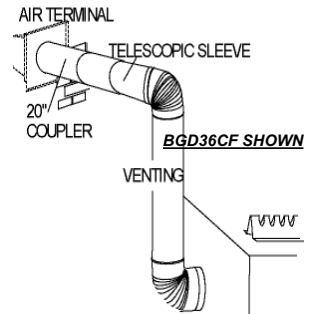


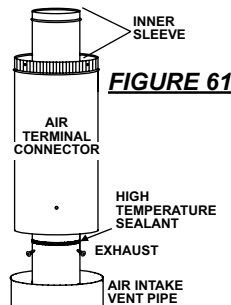
FIGURE 60

VERTICAL VENTING INSTALLATION

For safe and proper operation of the fireplace, follow the venting instructions exactly.

All inner exhaust and outer intake vent pipe joints may be sealed using either Red RTV high temp silicone sealant or Black high temp Mill Pac with the exception of the fireplace exhaust flue collar which must be sealed using Mill Pac (not supplied).

1. Move the fireplace into position.
2. Fasten the roof support to the roof using the screws provided. **FIGURE 60**. The roof support is optional. In this case the venting is to be adequately supported using either an alternate method suitable to the authority having jurisdiction or the optional roof support.
3. Apply high temperature sealant to the outer edge of the inner sleeve of the air terminal. Slip a 4" diameter coupler a minimum of 2" over the exhaust and secure using 3 screws.
4. Apply high temperature sealant to the outer edge of the of the outside sleeve of the air terminal. Slip a 7" diameter coupler over the air intake vent pipe and secure as before. Trim the air intake liner coupler even with the exhaust coupler end.
5. Thread the air terminal pipe assembly down through the roof support and attach, ensuring that a minimum 16" of air terminal will penetrate the roof when fastened. **If the attic space is tight, we recommend threading the Wolf Steel vent pipe collar or equivalent loosely onto the air terminal assembly as it is passed through the attic.** The air terminal must be located vertically and plumb.



6. Remove nails from the shingles, above and to the sides of the chimney. Place the flashing over the air terminal and slide it underneath the sides and upper edge of the shingles. Ensure that the air terminal is properly centered within the flashing, giving a 3/4" margin all around. Fasten to the roof. Do NOT nail through the lower portion of the flashing. Make weather-tight by sealing with caulking. Where possible, cover the sides and top edges of the flashing with roofing material.

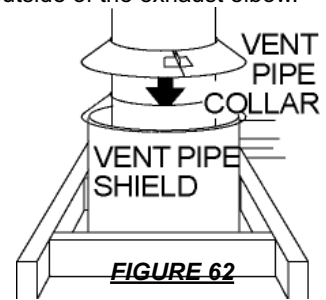
7. Apply a heavy bead of waterproof caulking 2 inches above the flashing. Slide the storm collar around the air terminal and down to the caulking. Tighten to ensure that a weather-tight seal between the air terminal and the collar is achieved. Attach the other storm collar centered between the air intake and air exhaust slots onto the air terminal. Tighten securely. Attach the rain cap.
8. Continue adding rigid venting sections, sealing and securing as above. Attach an exhaust adjustable vent to the last section of rigid piping. Secure with screws and seal. Repeat using an air intake vent pipe adjustable vent.

(BGD36CF ONLY: Before attaching elbows to the collars on the back of the fireplace, 1½" will need to be trimmed off the exhaust liner collar.)

9. **REAR VENT APPLICATION:** Run a bead of high temperature sealant around the outside of the exhaust elbow. Pull the adjustable pipe a minimum 2" onto the elbow. Secure with 3 screws. Repeat with the inner air intake vent pipe adjustable vent.

- TOP VENT APPLICATION:** Run a bead of high temperature sealant around the outside of the 4" collar on the fireplace. Pull the adjustable pipe a minimum of 2" onto the collar. Secure with 3 screws. Repeat with the 7" adjustable vent.

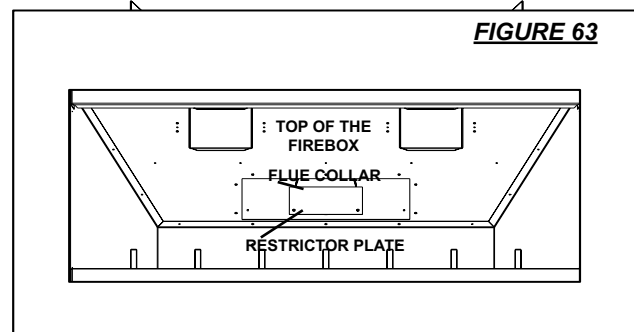
10. In the attic, slide the vent pipe collar down to cover up the open end of the shield and tighten. This will prevent any materials, such as insulation, from filling up the 1" air space around the pipe.



RESTRICTING VERTICAL VENTS

BGD42CF ONLY: Vertical terminations may display a very active flame. As this appearance is not desirable, the vent exit must be restricted using restrictor plate, W500-0205. This reduces the velocity of the exhaust gases, slowing down the flame pattern and creating a more traditional appearance. The plate has a series of holes to allow for adjustment.

Remove the two screws on either side of the exhaust collar inside the firebox. Install the plate as shown. Install the plate on the desired set of holes then replace the screws.



Proceed once the vent installation is complete.

GAS INSTALLATION

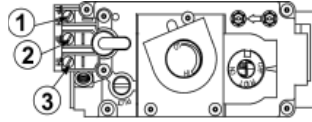
1. Move the fireplace into position and secure using the nailing tabs and/or secure to the floor through the ¼"Ø holes located at either end of the base.
2. Route a 1/2" N.P.T. black iron gas line, 1/2" type-L copper tubing or equivalent to the fireplace.
3. For ease of accessibility, an optional remote wall switch or millivolt thermostat may be installed in a convenient location. Route 2-strand (solid core) millivolt wire through the electrical hole located at the bottom left side of the unit. The recommended maximum lead length depends on wire size:

WIRE SIZE MAX. LENGTH

14 gauge	100 feet
16 gauge	60 feet
18 gauge	40 feet

Attach the two leads to terminals 1 and 3 located on the gas valve.

FIGURE 64



4. Install rigid black pipe, 1/2" type-L copper tubing or equivalent to the flexible connector and shut off (supplied). Ensure shutoff is accessible through the valve access door.
***Note:** The Flexible Connector should provide sufficient flexibility for burner removal once connected to the gas pipe.

The gas line and the shutoff valve (supplied) must not interfere with the opening and closing of the door latch.

Do not kink flex connector.

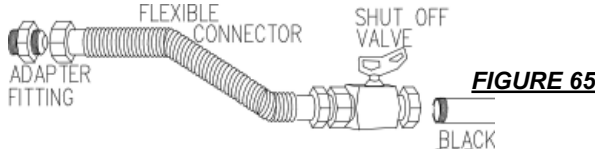


FIGURE 65

5. Check for gas leaks by brushing on a soap and water solution.

Do not use open flame.

Do not connect either the wall switch, thermostat or gas valve to electricity (110 volts).

Purge all gas lines with the glass door of the fireplace open. Assure that a continuous gas flow is at the burner before closing the door.

MOBILE HOME INSTALLATION

This appliance may be installed as an OEM (Original Equipment Manufacturer) Installation in a manufactured home or mobile home and must be installed in accordance with the manufacturer's instructions and the Manufactured Home Construction and Safety Standard, Title 24 CFR, Part 3280, in the United States or the Mobile Home Standard, CAN/CSA Z240 MH Series, in Canada. This appliance is only for use with the type(s) of gas indicated on the rating plate. A conversion kit is supplied with the mobile home appliance.

This Mobile/Manufactured Home listed appliance comes factory equipped with means to secure the unit.

The fireplace is equipped with two 1/4" diameter holes located in the front left and right corners of the base. For mobile home installations, the fireplace must be fastened in place. Use #10 screws, inserted through the holes in the base to secure.

Always turn off the pilot and the fuel supply at the source, prior to moving the mobile home.

After moving the mobile home and prior to lighting the fireplace, permanently ensure that the logs are positioned correctly.

This appliance may be installed in an aftermarket permanently located, manufactured (mobile) home, where not prohibited by local codes.

This appliance is only to be used with the type of gas indicated on the rating plate. This appliance is not convertible for use with other gasses, unless a certified kit is used.

CONVERSION KITS

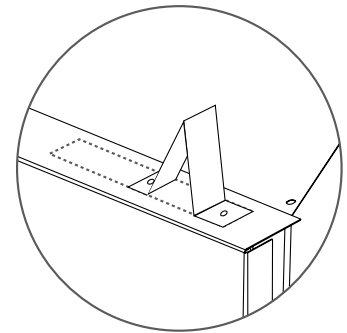
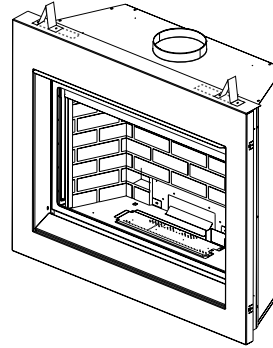
The mobile home appliance is field convertible between Natural Gas (NG) and Propane (LP).

To convert from one gas to another consult your Napoleon dealer/distributor.

INSTALLING STANDOFFS

Both the BGD36CF and BGD42CF are supplied with two standoffs. For convenience, the standoffs have been shipped flat and located on the top at the front. Before framing ensure the standoffs are bent and screwed into place ensuring a height of 4.5".

FIGURE 66



BGD36 ILLUSTRATION

FRAMING

NOTE: The information and dimensions in this section represent the minimum clearances to combustible materials.

It is best to frame your fireplace after it is positioned and the vent system is installed. Use 2x4's and frame to local building codes.

It is not necessary to install a hearth extension with this fireplace system. Objects placed in front of the fireplace should be kept a minimum of 48" away from the front face.

When roughing in the fireplace, raise the fireplace to accommodate for the thickness of the finished floor materials, i.e. tile, carpeting, hard wood, which if not planned for will interfere with the opening of the lower access door and the installation of many decorative flashing accessories.

Note: In order to avoid the possibility of exposed insulation or vapour barrier coming in contact with the fireplace body, it is recommended that the walls of the fireplace enclosure be "finished" (ie: drywall/sheetrock), as you would finish any other outside wall of a home. This will ensure that clearance to combustibles is maintained within the cavity.

Combustible materials may be installed flush with the front of the fireplace but must not cover any of the black face-areas of the fireplace. Non-combustible material (brick, stone or ceramic tile) may protrude in these areas but must not restrict glass door removal.

BGD36CF

FIGURE 67

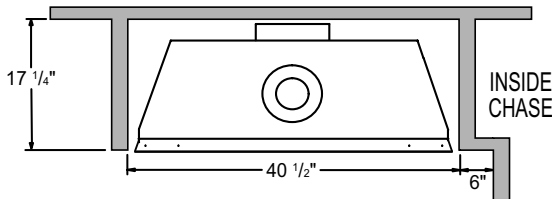
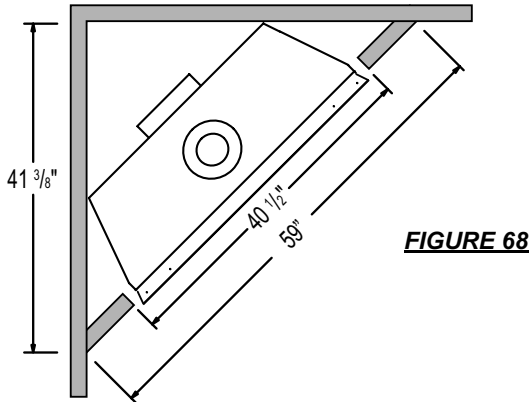
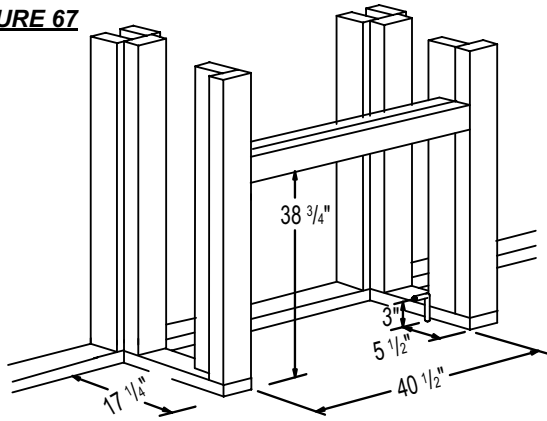


FIGURE 69

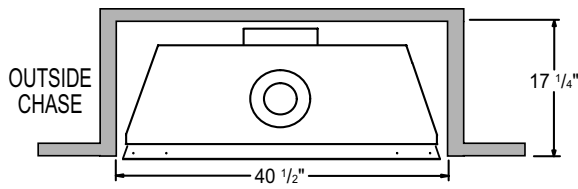


FIGURE 70

BGD42CF

FIGURE 72

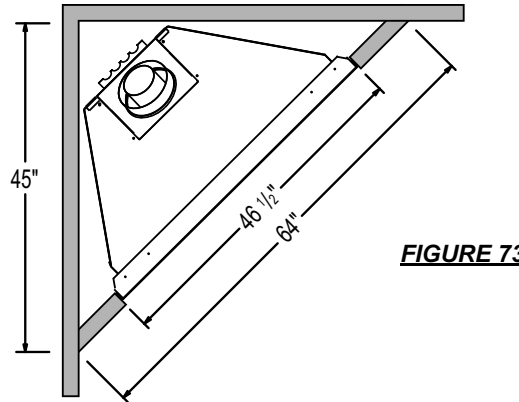
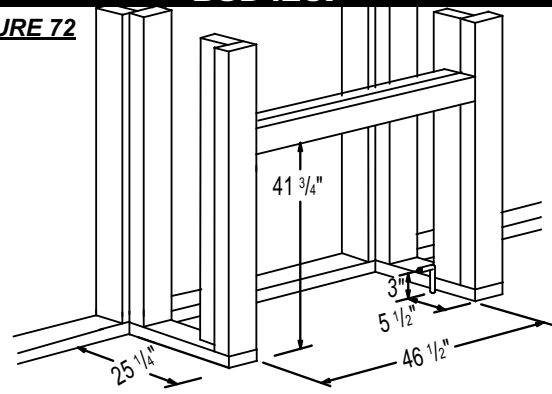


FIGURE 73

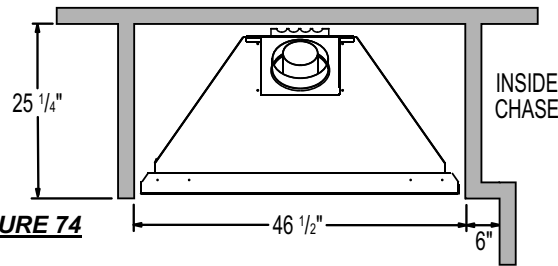


FIGURE 74

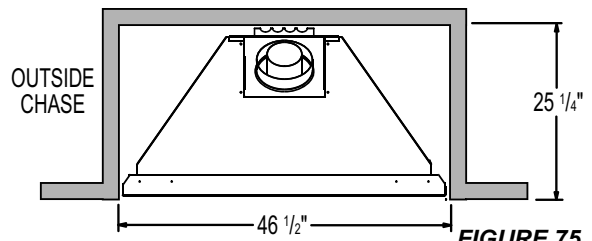


FIGURE 75

Warning: Non-combustible Finishing Materials Required

Non-combustible materials such as brick and tile can be extended over the black face of the unit.

FIGURE 71

IMPORTANT:
Encroaching in this area with finishing material will interfere with the opening of the door.

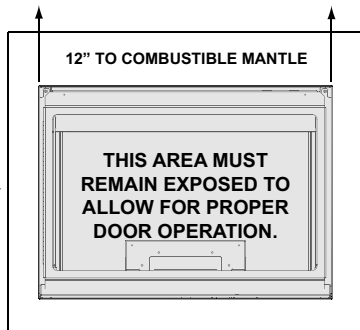
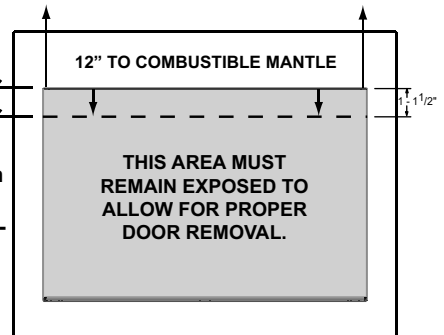


FIGURE 76

The finishing material can be installed below the top opening 1-1 1/2", however enough clearance to the door latches must be maintained to allow for proper door installation / removal. (Pg #32)



BGD36CF MINIMUM MANTLE AND ENCLOSURE CLEARANCES

Combustible mantle clearance can vary according to the mantle depth. Use the graph to help evaluate the clearance needed. These same requirements apply to any combustibles protruding on either side of the fireplace.

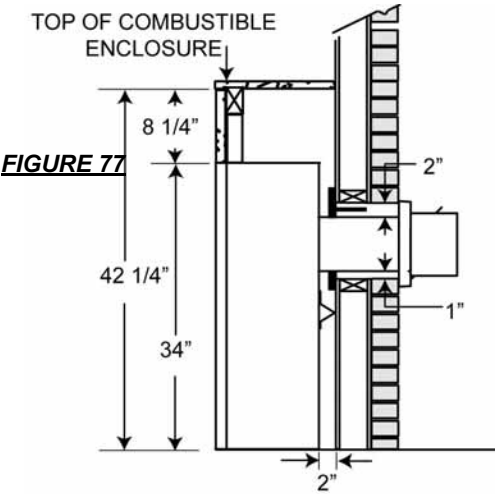


FIGURE 77

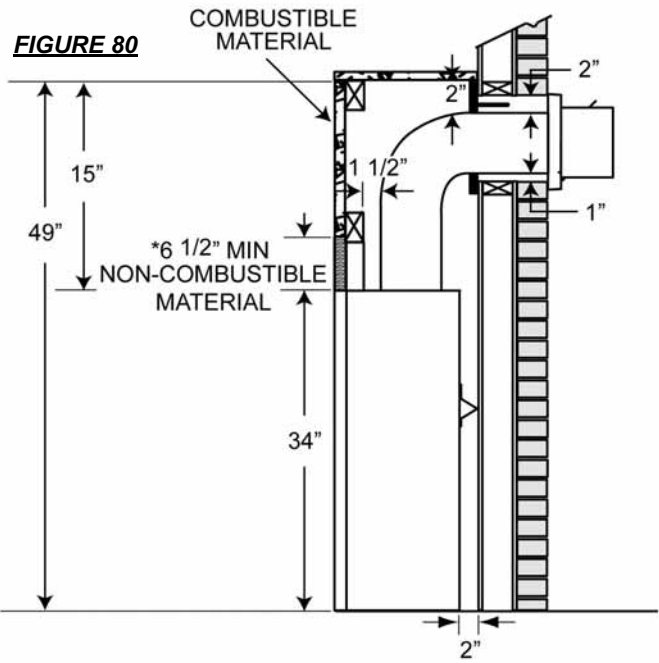


FIGURE 80

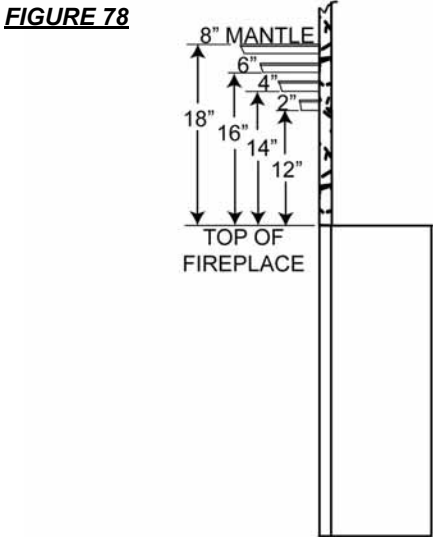
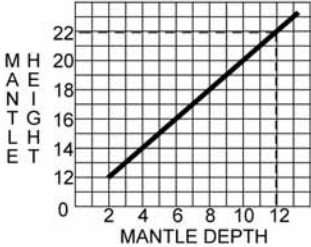


FIGURE 78

* If this unit is installed flush to the finishing material and optional clean face surround is to be installed then a minimum of 6 3/4" of cement board or non-combustible equivalent must be used on the top only of the front face. See Figure 84

FIGURE 79



OPTIONAL CLEAN FACE SURROUND INSTALLATION BGD36CF ONLY

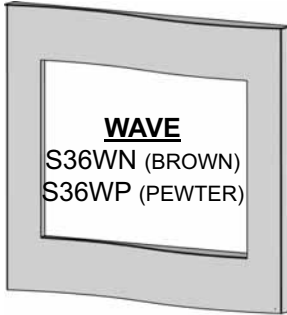


FIGURE 81

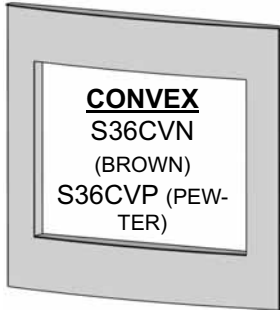


FIGURE 82

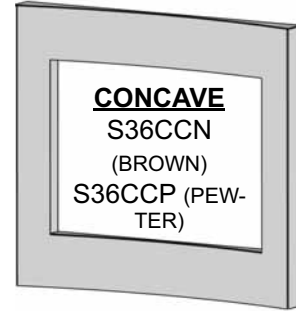


FIGURE 83

CLEAN FACE SURROUND MINIMUM ENCLOSURE CLEARANCES

WARNING: Use only non-combustible material such as cement board, ceramic tile, marble, etc. when finishing to the fireplace. **DO NOT USE WOOD.**

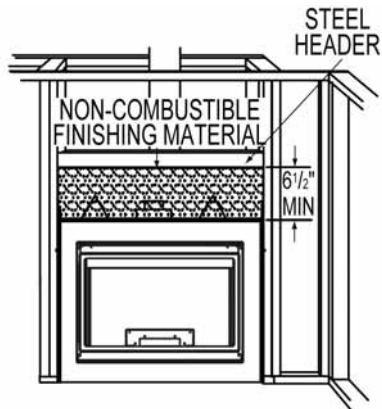


FIGURE 84

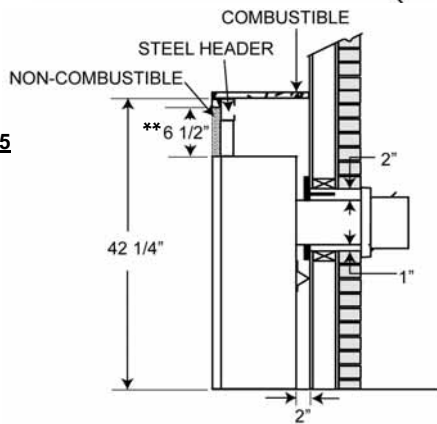


FIGURE 85

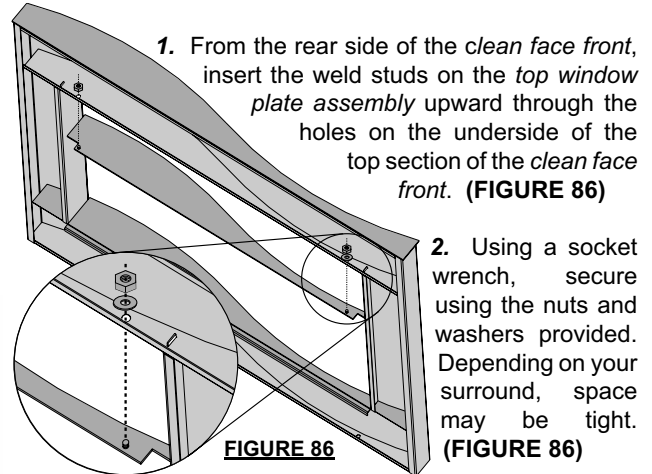
NOTE:

** Installation requires a minimum amount of non-combustible facing above the top of your fireplace. Refer to Minimum Enclosure Clearances section to verify if your unit has been installed with the proper requirements for this kit.

OPTIONAL CLEAN FACE TRIM KIT INSTALLATION

The "wave" clean face surround kit is shown in all illustrations.

NOTE: THE OPTIONAL CLEAN FACE TRIM KIT MUST BE INSTALLED BEFORE PROCEEDING.



1. From the rear side of the clean face front, insert the weld studs on the top window plate assembly upward through the holes on the underside of the top section of the clean face front. (FIGURE 86)

2. Using a socket wrench, secure using the nuts and washers provided. Depending on your surround, space may be tight. (FIGURE 86)

3. First secure the clean face surround to the fireplace front by hooking the ledge that runs horizontally on the rear surface of the clean face surround over the bottom edge of the fireplace front opening. (FIGURE 87)

4. With the clean face surround against the fireplace front, hook the surround clips in behind the top lip of the fireplace front opening (FIGURE 87) and secure using the screws provided through the slot in the surround clip and into the pre-drilled hole in the clean face surround. (FIGURE 89) If the optional clean face trim kit was installed, the surround clip fits into the cut out and is secured in the same fashion. (FIGURE 90)

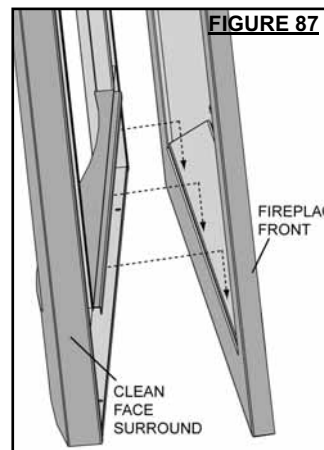


FIGURE 87

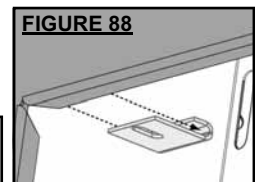


FIGURE 88

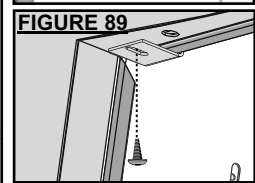


FIGURE 89

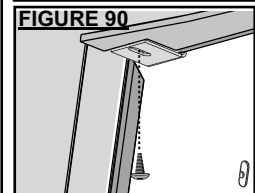
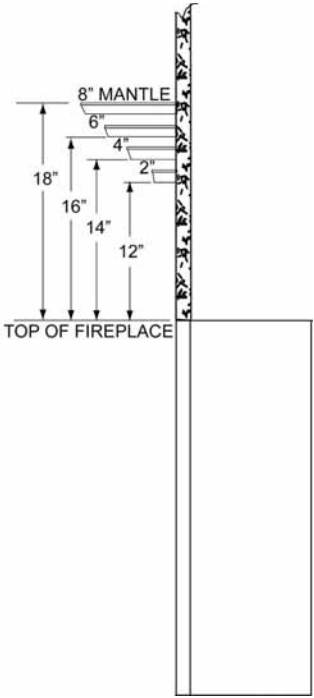


FIGURE 90

BGD42CF MANTLE CLEARANCES AND ENCLOSURES

Combustible mantle clearance can vary according to the mantle depth. Figure 89. Use the graph to help evaluate the clearance needed. These same requirements apply to any combustibles protruding on either side of the fireplace.

FIGURE 91



This fireplace requires a minimum of 6 1/2" of cement board or non-combustible equivalent above the top of the fireplace.

FIGURE 92a

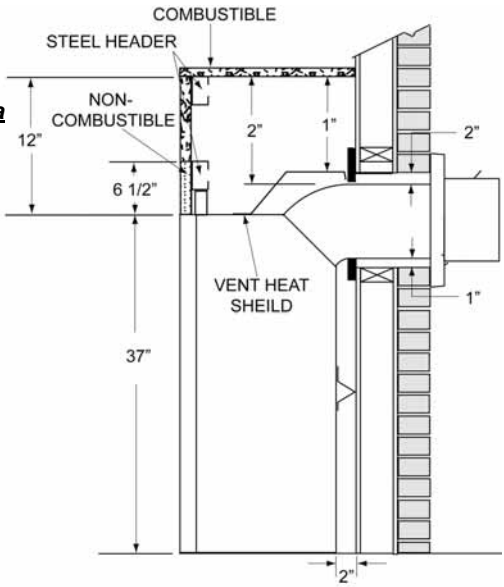
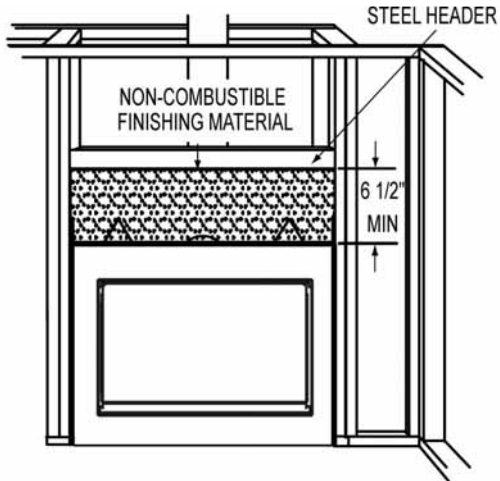
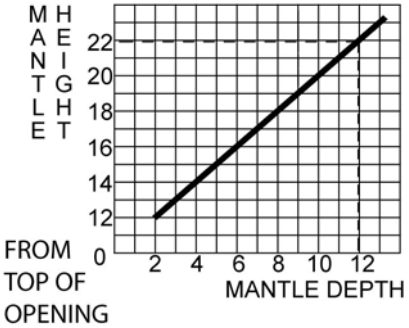


FIGURE 92b



WARNING: Use only non-combustible material such as cement board, ceramic tile, marble, etc. when finishing to the fireplace. **DO NOT USE WOOD.**

FIGURE 93



COMMON FINISHING

GLOWING EMBERS

Tear the embers into pieces and place along the front row of ports covering all of the burner area in front of the small logs (#2 & #3). Care should be taken to shred the embers into thin, small irregular pieces as only the exposed edges of the fibre hairs will glow. **The ember material will only glow when exposed to direct flame; however, care should be taken to not block the burner ports.**

Blocked burner ports can cause an incorrect flame pattern, carbon deposits and delayed ignition. **PHAZER™** logs glow when exposed to direct flame. Use only certified "glowing embers" and **PHAZER™** logs available from your Napoleon dealer.

CHARCOAL EMBERS

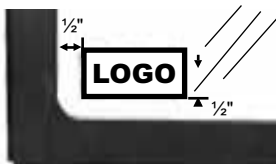
Randomly place the charcoal embers along the front and sides of the log support tray in a realistic manner. **Fine dust found in the bottom of the bag should not be used.**

VERMICULITE

Sprinkle vermiculite around the charcoal embers.

Note: Both charcoal embers and vermiculite are not to be placed on the burner.

LOGO PLACEMENT



Remove the backing of the logo supplied and place on the glass viewing door, as indicated.

BGD36CF FINISHING

LOG PLACEMENT

PHAZER™ logs and glowing embers exclusive to Napoleon Fireplaces, provide a unique and realistic glowing effect that is different in every installation. Take the time to carefully position the glowing embers for a maximum glowing effect.

Log colours may vary. During the initial use of the fireplace, Log colours may vary. During the initial use of the fireplace the colours will become more uniform as colour pigments burn in during the heat activated curing process.



FIGURE 94



FIGURE 95

1. Place the back log (#1) onto the log support tray and in front of the tabs. The tabs maintain an air space between the log and firebox back to facilitate combustion air flow. Ensure that the back of the log rests against the brackets on the back wall of the firebox.

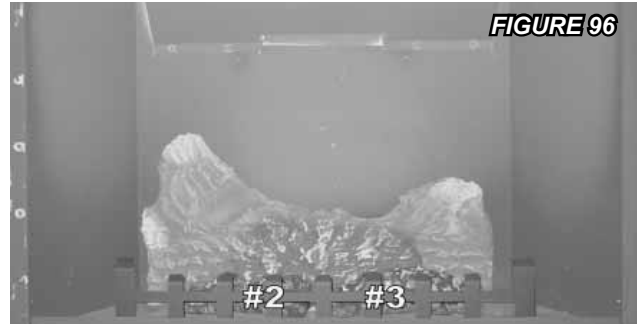


FIGURE 96

2. Move the two small logs (#2 & #3) into position, lining up the studs located on the burner with the holes on the bottom of the logs. Ensure that the small logs sit flat on the burner.

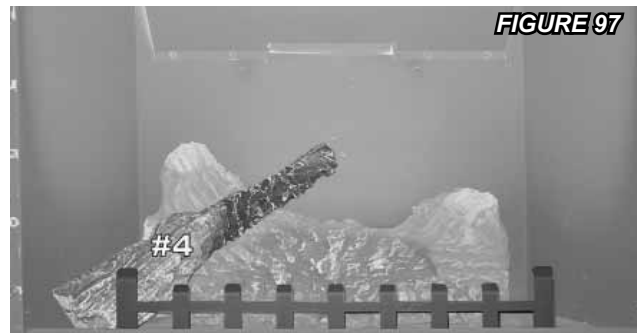


FIGURE 97

3. Place the bottom of the left crossover log (#4) against the left firebox side and pulled forward to the grate. The top of the log should rest in the pocket on the back log.



FIGURE 98

4. Position the base end of the center log (#5) against the middle grate post with the other end of the log resting in the pocket of the left crossover log.



FIGURE 99

5. Place the bottom of the right crossover log (#6) against the right firebox side and pulled forward to the grate. The top of the log should rest in the pocket provided on the center log (#5).

DOOR OPERATION

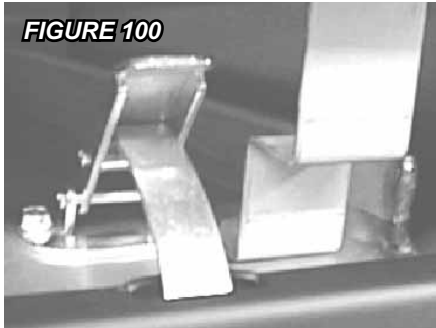


FIGURE 100

To access the lower door latch, open the Valve Access Door as illustrated on page 22. Release the top and bottom door latches, located at the right side of the door.

BGD42CF FINISHING

DOOR INSTALLATION / REMOVAL

Open the Valve Access Door. While holding the door securely, release the 4 latches along the top of the door. Tilt the door forward and lift off of the two brackets at the bottom of the door. When replacing the door, rest the door on the brackets ensuring that lip of the brackets rest in the groove in the bottom edge of the door. Tilt the door forward into place and secure with the 4 latches.

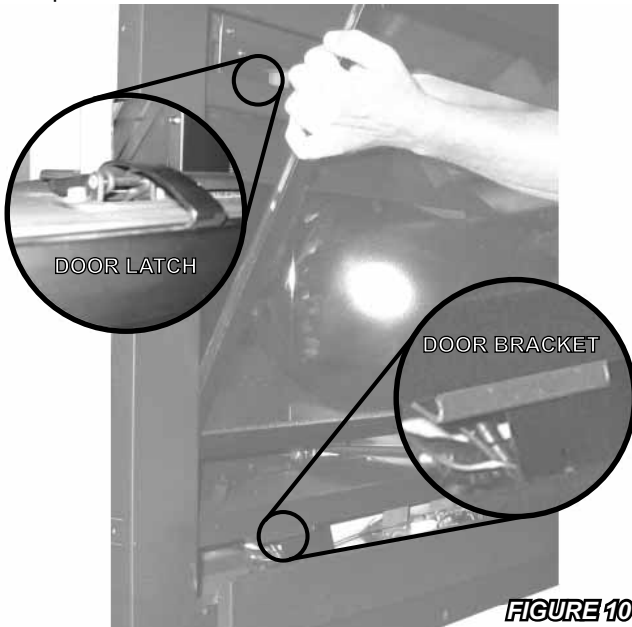


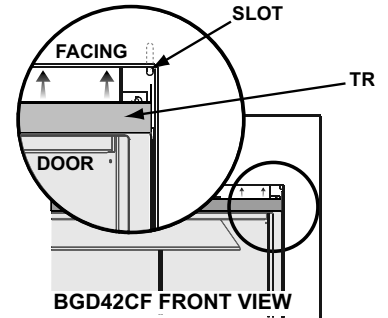
FIGURE 101

DOOR TRIM

The BGD42CF comes complete with top door trim (W715-0729).

FIGURE 102

1. Guide the arms of the trim into the slots that are slightly hidden under the facing through the opening between the top of the door and the bottom edge of the facing as illustrated in the front view.



BGD42CF FRONT VIEW

2. Slide the arm into the slot far enough to allow the front edge of the trim to go in behind the facing.

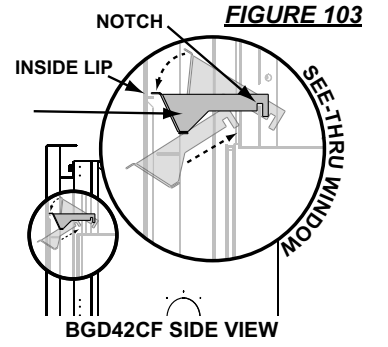


FIGURE 103

3. Let the bracket come forward towards the back of the facing and allow the trim to rest on the inside lip, this position will allow the notch on the arm of the trim to fall into place on the edge of the slot.

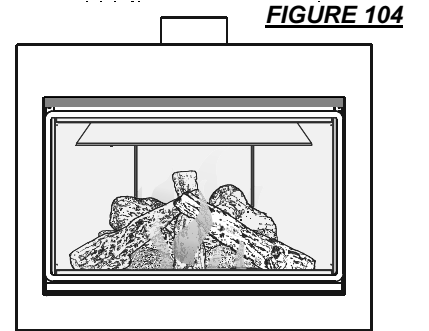


FIGURE 104

BGD42CF WITH TOP DOOR TRIM INSTALLED

GRATE INSTALLATION

The grate for this fireplace has been removed for shipping purposes.

The grate must be installed before the logs are installed. Remove the packaging from the grate and install onto the two pins as illustrated.

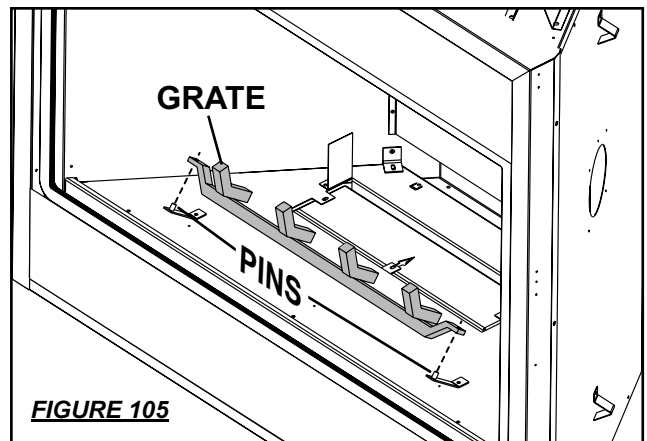
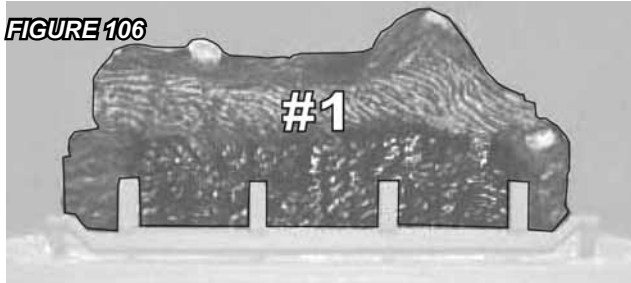


FIGURE 105

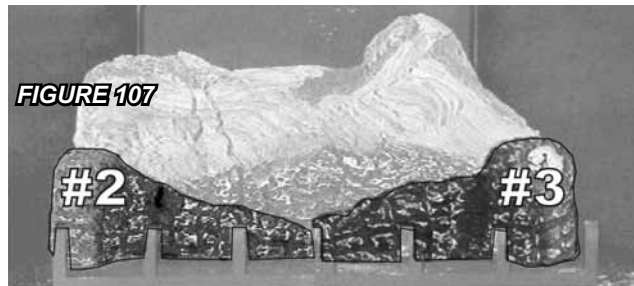
LOG PLACEMENT

PHAZER™ logs and glowing embers, exclusive to Napoleon® Fireplaces, provide a unique and realistic glowing effect that is different in every installation. Take the time to carefully position the glowing embers for a maximum glowing effect. Log colours may vary. During the initial use of the fireplace, the colours will become more uniform as colour pigments burn in during the heat activated curing process.

FIGURE 106



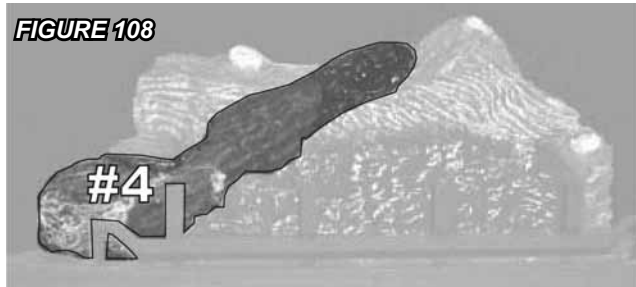
1. Place the cutout in the bottom of log #1 behind the pilot assembly. Rest the log against the back wall of the firebox.



2. Move the two small logs (#2 & #3) into position, lining up the studs located on the burner with the holes on the bottom of the logs.

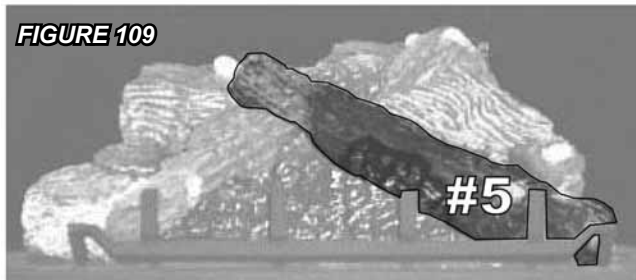
3. Tear the glowing embers into pieces and place along the front row of ports covering all of the burner area in front of the small logs (#2 & #3). Care should be taken to shred the embers into thin, small irregular pieces as only the exposed edges of the fibre hairs will glow. The ember material will only glow when exposed to direct flame; however, care should be taken to not block the burner ports. Blocked burner ports can cause an incorrect flame pattern, carbon deposits and delayed ignition. **PHAZER™** logs glow when exposed to direct flame.

FIGURE 108



4. Place the bottom of the left crossover log (#4) onto the stud on the left side of the log support. The top of the log should rest in the pocket on the back log.

FIGURE 109

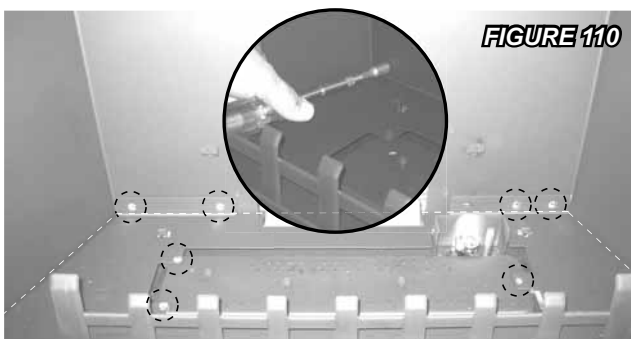


5. Place the bottom of the right crossover log (#5) onto the stud on the right side of the log support. The top of the log should rest in the pocket on the left crossover log (#4).

OPTIONAL BLOWER INSTALLATION

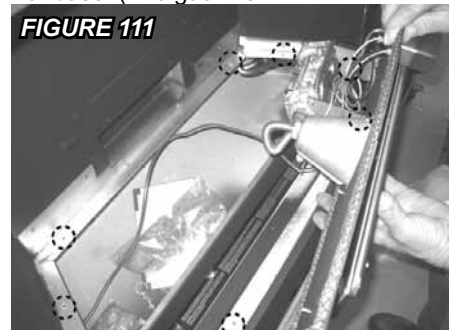
BGD36CF ACCESSING THE BLOWER

1. Remove the valve access door using the instructions on Pg #22 of this manual.
2. Open the main door.
3. Carefully remove the logs.
4. Remove the 7 screws illustrated in Fig. 98 and lift out the log support.



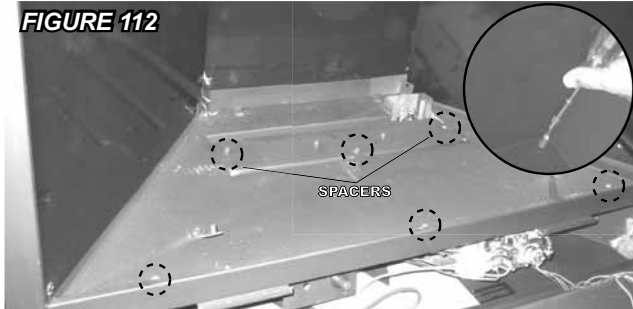
5. Remove the 8 perimeter screws as illustrated in Fig. 99 and lift out the burner base. (The gas line flex-connector should provide sufficient movement to permit shifting the burner assembly to the side)

FIGURE 111



BGD42CF ACCESSING THE BLOWER

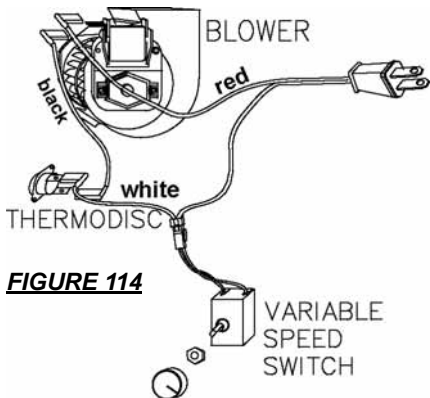
1. Remove the main door using the instructions on Pg #33.
2. Carefully remove the logs.
3. Remove the grate by lifting it off of the two securing pins.
4. Remove the 6 screws illustrated in Fig. 99 and lift out the log support. Be careful not to lose the spacers for the screws indicated.



5. Remove the 7 perimeter screws as illustrated in Fig. 100 and lift out the burner base. (The gas line flex-connector should provide sufficient movement to permit shifting the burner assembly to the side)



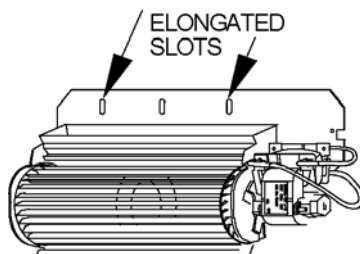
INSTALLING THE BLOWER



Canada or the ANSI/NFPA 70 NATIONAL ELECTRICAL CODE in the United States

If the fireplace was not previously equipped with a blower: route a grounded 2-wire, 60hz power cable to the receptacle / junction box. At this point, it must be strain relieved and insulated.

INSTALLATION TO BE DONE BY A QUALIFIED INSTALLER and must be electrically connected and grounded in accordance with local codes. In the absence of local codes, use the current CSA C22.1 CANADIAN ELECTRICAL CODE in

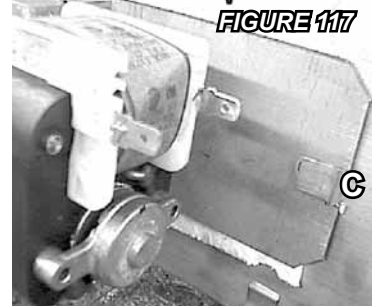
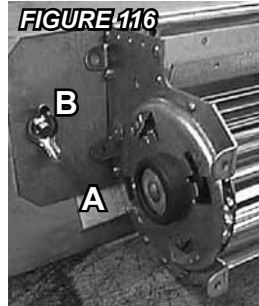


The three slots on the blower mounting bracket allow ease of adjustment when attaching the blower. For a quiet running blower, do not allow the assembly to sit on the firebox base.

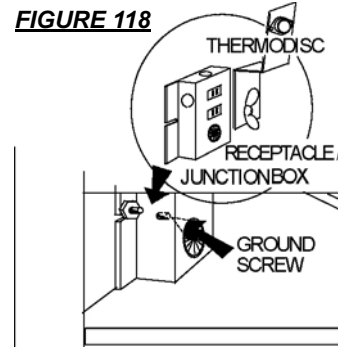
Slide the vibration reducing pad (A) into the clip (C) and up against the threaded stud (B) at the other end. The blower must be able to be positioned entirely onto the pad.

To ease installation of the blower, remove the hinge screen and valve control door (lower louvres) from the base of the fireplace.

Tilt the blower onto its side. Slide it past the controls and into the clip (C). Secure to the threaded stud using the lock washer and wing nut provided. Ensure that the blower does not touch the fireplace base or the firebox.



Attach the connectors from the black and white wires to the thermodisc and secure the thermodisc bracket to the securing stud at the bottom left of the unit using a lock washer and wing nut. Ensure that the thermodisc touches the firebox wall.

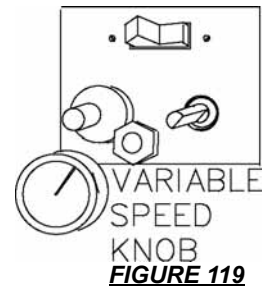


Attach the connectors from the black and red wires to the blower.

Attach and secure the variable speed switch using the nut provided. Plug the harness cord into the receptacle.

Note: To improve access to the variable speed control, we recommend bending the mounting bracket forward by approximately 10°.

The wire harness provided in this kit is a universal harness. When installed, ensure that any excess wire is contained, preventing it from making contact with moving or hot objects.



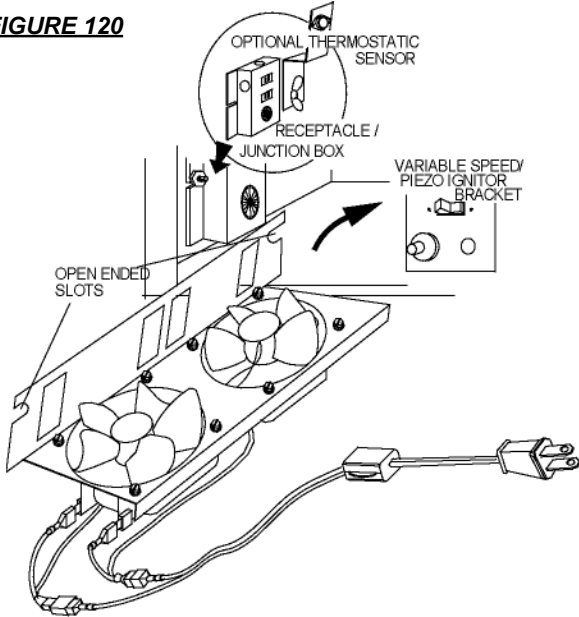
Because the blower is thermally activated, when turned on, it will automatically start approximately 10 minutes after lighting the fireplace and will run for approximately 30-45 minutes after the fireplace has been turned off. Use of the fan increases the output of heat.

Drywall dust will penetrate into the blower bearings, causing irreparable damage. Care must be taken to prevent drywall dust from coming into contact with the blower or its compartment. Any damage resulting from this condition is not covered by the warranty policy.

OPTIONAL FAN INSTALLATION

ELECTRICAL INSTALLATION TO BE DONE BY A QUALIFIED INSTALLER and must be connected and grounded in accordance with local codes. In the absence of local codes, use the current CSA C22.1 CANADIAN ELECTRICAL CODE in Canada or the ANSI/NFPA 70 NATIONAL ELECTRICAL CODE in the United States.

FIGURE 120



To safely install the fan, turn off the electricity first.

If the fireplace was not previously equipped with a fan: route a grounded 2-wire, 60hz power cable to the junction box. At this point, it must be strain relieved and insulated.

The wire harness provided in this kit is a universal harness. When installed, ensure that any excess wire is contained, preventing it from making contact with moving or hot objects.

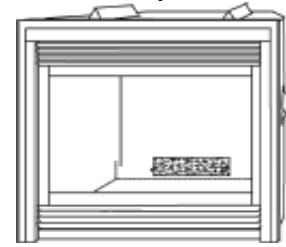


FIGURE 121

To ease installation of the fan, remove the hinge screen and valve control door (lower louvres) from the base of the fireplace.

Position the vibration reducing pad into the clip and onto the threaded stud at the other end, piercing a hole into the pad. The fan assembly must be able to be positioned entirely onto the pad.

Slide the fan assembly past the controls and into the clip. Secure using the lock washer and nut provided.

Plug the harness cord into the receptacle.

This optional kit is meant to be used only in conjunction with the GD65 Fan Kit, shown above, which may be ordered from your Wolf Steel / Napoleon dealer.

GD36 THERMOSTATIC SENSOR CONTROL

With the thermostatic sensor option, the fan, when turned on, becomes thermally activated, and will automatically run approximately 15-30 minutes after the fireplace has been lit and for approximately 30-45 minutes after the fireplace has been turned off.

Use of the fan increases the output of heat.

Unplug the power cord from the receptacle. Connect all wires as shown.

Attach and secure the sensor assembly bracket to the securing stud located next to the receptacle/junction box at the bottom left of the unit using the lock washer and wing nut. Ensure that the thermodisc touches the firebox wall.

Plug the power cord back into the receptacle.

When installed, ensure that any excess wire is contained, preventing it from making contact with moving or hot objects.

Adjust the pilot screw to provide properly sized flame. Turn in a clockwise direction to reduce the gas flow.

FIGURE 122

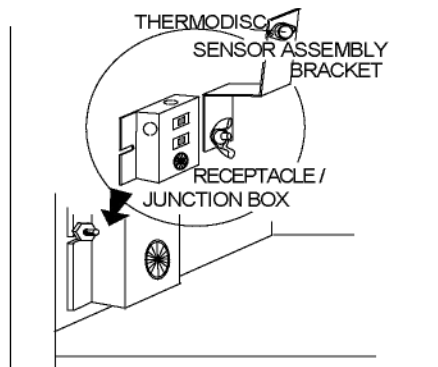
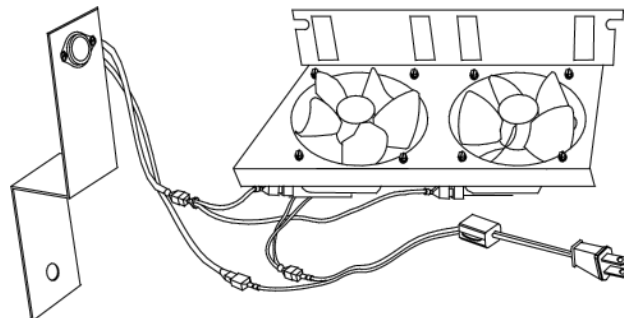


FIGURE 123



OPERATION / MAINTENANCE

Purge all gas lines with the glass door of the fireplace removed or opened. Assure that a continuous gas flow is at the burner before installing the door.

When lit for the first time, the fireplace will emit a slight odour for a few hours. This is a normal temporary condition caused by the "burn-in" of internal paints and lubricants used in the manufacturing process and will not occur again.

After extended periods of non-operation such as following a vacation or a warm weather season, the fireplace may emit a slight odour for a few hours. This is caused by dust particles in the heat exchanger burning off. In both cases, open a window to sufficiently ventilate the room.

FOR YOUR SAFETY READ BEFORE LIGHTING:

- A. This fireplace is equipped with a pilot which must be lit by hand while following these instructions exactly.
- B. Before operating smell all around the fireplace area for gas and next to the floor because some gas is heavier than air and will settle on the floor.
- C. Use only your hand to turn the gas control knob. Never use tools. If the knob will not turn by hand, do not try to repair it. Call a qualified service technician. Force or attempted repair may result in a fire or explosion.
- D. Do not use this fireplace if any part has been under water. Immediately call a qualified service technician to inspect the fireplace and replace any part of the control system and any gas control which has been under water.

WHAT TO DO IF YOU SMELL GAS:

- Turn off all gas to the fireplace.
- Open windows.
- Do not try to light any appliance.
- Do not touch any electric switch; do not use any phone in your building.
- Immediately call your gas supplier from a neighbour's phone. Follow the gas supplier's instructions.
- If you cannot reach your gas supplier, call the fire department.



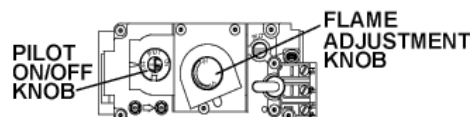
LIGHTING INSTRUCTIONS

WARNING: The gas valve has an interlock device which will not allow the pilot burner to be lit until the thermocouple has cooled. Allow approximately 60 seconds for the thermocouple to cool.

When lighting and re-lighting, the gas knob cannot be turned from pilot to off unless the knob is **depressed slightly**.

1. Stop! Read the above safety information on this label.
2. Turn off all electric power to the fireplace.
3. Turn the gas knob clockwise to off.
4. Wait five (5) minutes to clear out any gas. If you smell gas including near the floor. Stop! Follow "B" in the above safety information on this label. If you don't smell gas go the next step.

5. Turn gas knob counter-clockwise to pilot.
6. Depress slightly and hold gas knob while lighting the pilot with the push button ignitor. Keep knob depressed for one minute, then release. If pilot does not continue to burn, repeat steps 3 through 5.
7. With pilot lit, depress and turn gas knob counter-clockwise to on.
8. If equipped with remote on-off switch/thermostat, main burner may not come on when you turn valve to on. Remote switch must be in the on position to ignite burner.
9. Turn on all electric power to the fireplace.



TO TURN OFF GAS

1. Turn off all electric power to the fireplace if service is to be performed.
2. Push in gas control knob slightly and turn clockwise to off. Do not force.

TURN THE CONTROL VALVE TO THE OFF POSITION WHEN HEATER IS NOT IN USE.

MAINTENANCE

TURN OFF THE GAS AND ELECTRICAL POWER BEFORE SERVICING THE FIREPLACE.

CAUTION: Label all wires prior to disconnection when servicing controls. Wiring errors can cause improper and dangerous operation. Verify proper operation after servicing. This fireplace and its venting system should be inspected before use and at least annually by a qualified service person. The fireplace area must be kept clear and free of combustible materials, gasoline or other flammable vapours and liquids. The flow of combustion and ventilation air must not be obstructed.

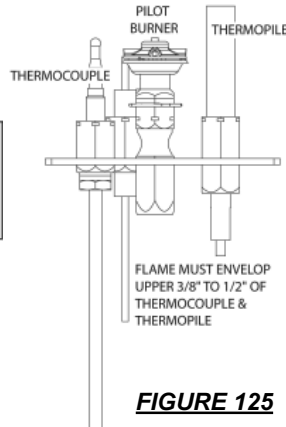
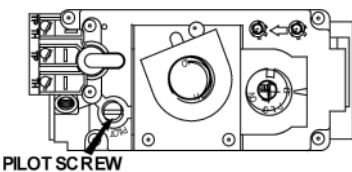
1. In order to properly clean the burner and pilot assembly, remove the logs to expose both assemblies.
2. Keep the control compartment, logs, burner, air shutter opening and the area surrounding the logs clean by vacuuming or brushing, *at least once a year*.

3. Check to see that all burner ports are burning. Clean out any of the ports which may not be burning or are not burning properly.
4. Check to see that the pilot flame is large enough to engulf the thermocouple and thermopile and reaches toward the burner with the third jet.
5. Replace the cleaned logs.
6. Check to see that the main burner ignites completely on all openings when the gas knob for the burner is turned on. A 5 to 10 second total light-up period is satisfactory. If ignition takes longer, consult your Napoleon dealer / distributor.
7. Check that the gasketing on the sides, top and bottom of the door is not broken or missing. Replace if necessary.

ADJUSTMENTS

PILOT BURNER ADJUSTMENT

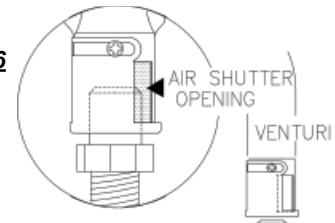
FIGURE 124



Adjustment may be required depending on fuel type, vent configuration and altitude.

Closing the air shutter will cause a more yellow flame, but can lead to carboning. Opening the air shutter will cause a more blue flame, but can cause flame lifting from the burner ports. The flame may not appear yellow immediately; allow 15 to 30 minutes for the final flame colour to be established.

FIGURE 126

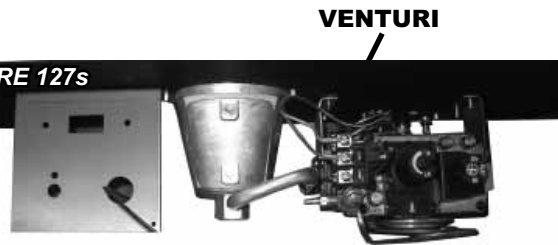


VENTURI ADJUSTMENT

Both fireplace models have air shutters that have been factory set open according to the chart below:
These settings are for (maximum) horizontal termination.

	BGD36CF	BGD42CF
NG	1/16"	1/4"
LP	1/4"	7/16"

FIGURE 127s



To access the air shutter, remove the two screws that secure the cover to the air housing. The alternate access is to remove

COMMON REPLACEMENTS

the burner from the fireplace and to adjust the air shutter. Contact your dealer for questions concerning prices and availability of replacement parts. Normally all parts can be ordered through your Napoleon dealer or distributor.

* IDENTIFIES ITEMS WHICH ARE NOT ILLUSTRATED. FOR FURTHER INFORMATION, CONTACT YOUR NAPOLEON DEALER.

When ordering replacement parts always give the following information:

1. MODEL & SERIAL NUMBER OF FIREPLACE
2. INSTALLATION DATE OF FIREPLACE
3. PART NUMBER
4. DESCRIPTION OF PART
5. FINISH
6. TOP OR REAR VENT

COMMON COMPONENTS:

#	PART NO.	DESCRIPTION
1	W357-0001	PIEZO IGNITER
2	W680-0004	THERMOPILE
3	W680-0005	THERMOCOUPLE**
4	W010-0800	PROPANE GAS PILOT ASSEMBLY
4	W010-0801	NATURAL GAS PILOT ASSEMBLY
5	W455-0069	NATURAL GAS PILOT INJECTOR
5	W455-0067	PROPANE GAS PILOT INJECTOR
6	W725-0025	NATURAL GAS VALVE
6	W725-0026	PROPANE GAS VALVE
7*	W385-0334	NAPOLEON LOGO
8*	W750-0112	20FT OF WIRE
9*	W361-0016	GLOWING EMBERS
10*	W550-0001	CHARCOAL EMBERS

** **WARNING:** THIS IS A FAST ACTING THERMOCOUPLE. IT IS AN INTEGRAL SAFETY COMPONENT. REPLACE ONLY WITH A FAST ACTING THERMOCOUPLE SUPPLIED BY WOLF STEEL LTD.

COMMON ACCESSORIES:

11*	W573-0007	10.3OZ TUBE HIGH TEMP SEALANT
12*	W690-0001	MILLIVOLT THERMOSTAT
13*	W690-0010B	REMOTE CONTROL - Advantage
14*	W660-0011B	REMOTE CONTROL - ADVANTAGE PLUS
15*	GD65	FAN KIT
16	GZ550-1KT	BLOWER KIT
17*	B440-KT	BLOWER
18*	W500-0033	VARIABLE SPEED SWITCH WALL MOUNTING PLATE
19*	W690-0005	THERMOSTAT, 110 VOLT for use with ga-566
20*	W660-0026	PROGRAMABLE TIMER
21	GA-566	HOT AIR KIT
22	GA-72	HOT AIR EXHAUST KIT
23	GA-70	EXTENSION KIT 5FT
24*	ANI-K	ANDIRONS - BLACK
25*	ANI-G	ANDIRONS - GOLD PLATED
26*	270	PAINT, BLACK - 13OZ
27*	W361-0014	VERMICULITE
28*	GD36	THERMOSTATIC SENSOR CONTROL KIT FOR USE WITH GD65 ONLY

BGD36CF REPLACEMENTS

BGD36CF COMPONENTS:

29*	W225-0058	BLACK DOOR FRAME
30	W455-0048	#47 NATURAL GAS ORIFICE
30	W455-0047	#56 PROPANE GAS ORIFICE
31*	W010-0370	WALL SUPPORT ASSEMBLY
32	W010-0539	FLUE PIPE ASSEMBLY c/w GASKET
33*	W010-0538	FLUE CAP c/w GASKET
34	W010-0764	PAN BURNER
35	GL-639	LOG SET
36	W135-0183	BACK LOG (#1)
37	W135-0184	LEFT MIDDLE LOG (#2)
38	W135-0185	RIGHT MIDDLE LOG (#3)
39	W135-0186	LEFT CROSSOVER LOG (#4)
40	W135-0187	MIDDLE CROSSOVER LOG (#5)
41	W135-0188	RIGHT CROSSOVER LOG (#6)
42	W010-0454	GLASS c/w GASKET
43	W010-0516	BLACK DOOR C/W GLASS
44	W010-1774	FIRESTOP SPACER

BGD36CF FLEXIBLE VENT KITS:

	GD220 (5 FT)		
45*	W010-0397	4" FLEXIBLE ALUMINIUM LINER - (5 FT) c/w SPACERS	
46*	W410-0017	7" FLEXIBLE ALUMINIUM LINER - (5 FT)	
	GD330 (10 FT)		
47*	W410-0018	7" FLEXIBLE ALUMINIUM LINER-(10 FT)	
48*	W010-0300	4" FLEXIBLE ALUMINIUM LINER-(10 FT) c/w SPACERS	
49*	W010-0370	WALL SUPPORT ASSEMBLY	

BGD36CF TERMINAL KITS:

50	PERISCOPE	-	GD201
51	WALL TERMINAL KIT	-	GD222

BGD36CF ROOF TERMINAL KITS:

52*	1/12 TO 7/12 PITCH	-	GD110
53*	8/12 TO 12/12 PITCH	-	GD111
54*	FLAT ROOF	-	GD112
55*	W490-0073	4/7 INNER/OUTER SLEEVE	
56	W670-0006	4/7 TERMINAL	
57	W170-0063	STORM COLLAR	
58	W010-0453	ROOF SUPPORT	
59	W263-0054 / W263-0055 / W263-0056	ROOF FLASHING	

BGD36CF ACCESSORIES:

60*	W175-0001	4" COUPLER
61*	W175-0013	7" COUPLER
62*	W615-0044	FIRESTOP SPACER - FLEXIBLE VENTING
63*	W500-0103	TERMINAL EXTENSION PLATE
64	GD-301	HEAT GUARD
65*	W010-0370	WALL SUPPORT ASSEMBLY
66*	W175-0053	DURA-VENT ZERO CLEARANCE ADAPTOR
67	W170-0063	VENT PIPE COLLAR
68	W585-0072	VENT PIPE SHIELD
69*	W175-0159	CONVERSION KIT - NG TO LP
70*	W175-0164	CONVERSION KIT - LP TO NG
71*	GD831KT	DECORATIVE BRICK PANELS - SANDSTONE
72*	CDV202-PB	DOOR TRIM KIT
73*	GD-565-1KT	SAFETY SCREEN
74*	S36WN	WAVE SURROUND - BROWN
74*	S36WP	WAVE SURROUND - PEWTER
74*	S36CCN	CONCAVE SURROUND - BROWN
74*	S36CCP	CONCAVE SURROUND - PEWTER
74*	S36CVN	CONVEX SURROUND - BROWN
74*	S36CVP	CONVEX SURROUND - PEWTER
75*	CFT36W	UPPER TRIM FOR WAVE SURROUND
75*	CFT36CC	UPPER TRIM FOR CONCAVE SURROUND
75*	CFT36CV	UPPER TRIM FOR CONVEX SURROUND

BGD42CF REPLACEMENTS

BGD42CF COMPONENTS:

76	W455-0019	#43 NATURAL GAS ORIFICE
76	W455-0003	#54 PROPANE GAS ORIFICE
77	W010-0864	PAN BURNER
78	GL-641	LOG SET
79	W135-0198	BACK LOG (#1)
80	W135-0201	LEFT CROSSOVER LOG (#4)
81	W135-0202	CENTER LOG (#5)
82	W135-0203	RIGHT CROSSOVER LOG (#6)
83	W135-0199	SMALL LEFT LOG (#2)
84	W135-0200	SMALL RIGHT LOG (#3)
85	W010-0770	BLACK DOOR C/W GLASS
86	W010-1778	FIRESTOP SPACER
87*	W500-0205	RESTRICTOR PLATE
88	W585-0138	VENT HEAT SHIELD, TOP PIECE
88	W655-0222	VENT HEAT SHIELD, BOTTOM PIECE
89	W185-0020	GRATE
90*	W550-0002	CHARCOAL LUMPS

BGD42CF FLEXIBLE VENT KITS:

GD420 (5 FT)

91*	W730-0010	5" FLEXIBLE ALUMINIUM LINER - (5.5 FT) C/W SPACERS
92*	W730-0012	8" FLEXIBLE ALUMINIUM LINER - (5.5 FT)

GD430 (10 FT)

93*	W730-0011	5" FLEXIBLE ALUMINIUM LINER -(11.5 FT)
94*	W730-0013	8" FLEXIBLE ALUMINIUM LINER -(11.5 FT) C/W SPACERS
95*	W010-0810	WALL SUPPORT ASSEMBLY

BGD42CF TERMINAL KITS:

96	PERISCOPE	-	GD401
97	WALL TERMINAL KIT	-	GD422

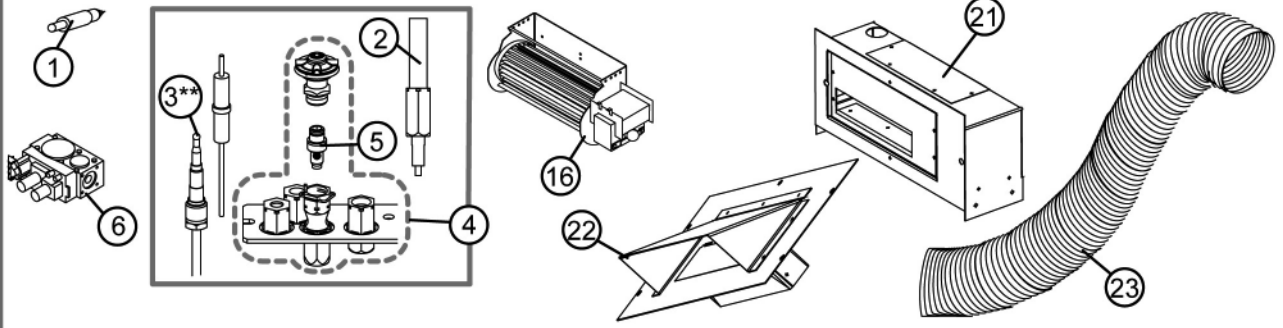
BGD42CF ROOF TERMINAL KITS:

98*	1/12 TO 7/12 PITCH	-	GD410
99*	8/12 TO 12/12 PITCH	-	GD411
100*	FLAT ROOF	-	GD412
101	W490-0074	5/8 INNER/OUTER SLEEVE	
102	W670-0007	5/8 TERMINAL	
103	W170-0086	STORM COLLAR	
104	W010-0453	ROOF SUPPORT	
105	W263-0065 /	ROOF FLASHING	
	W263-0066 /		
	W263-0055		

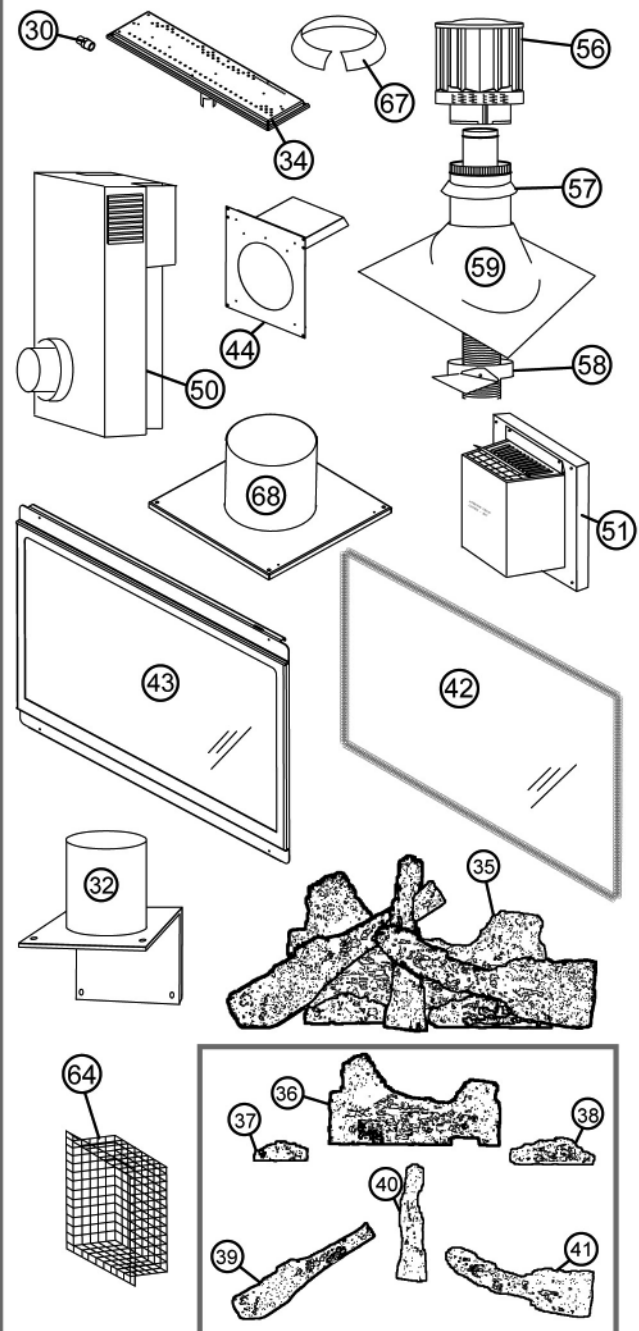
BGD42CF ACCESSORIES:

106*	W175-0166	5" COUPLER
107*	W175-0002	8" COUPLER
108*	W500-0206	TERMINAL EXTENSION PLATE
109	GD-501	HEAT GUARD
110*	W585-0096	SOFFIT HEAT SHIELD
111*	W010-0810	WALL SUPPORT ASSEMBLY
112*	W175-0170	DURA-VENT ZERO CLEARANCE ADAPTOR
113	W170-0086	VENT PIPE COLLAR
114	W585-0092	VENT PIPE SHIELD
115*	W175-0211	CONVERSION KIT - NG TO LP
116*	W175-0248	CONVERSION KIT - LP TO NG
117*	S42WN	WAVE SURROUND - BROWN
117*	S42WP	WAVE SURROUND - PEWTER
117*	S42CCN	CONCAVE SURROUND - BROWN
117*	S42CCP	CONCAVE SURROUND - PEWTER
117*	S42CVN	CONVEX SURROUND - BROWN
117*	S42CVP	CONVEX SURROUND - PEWTER
118*	CFT42W	UPPER TRIM FOR WAVE SURROUND
118*	CFT42CC	UPPER TRIM FOR CONCAVE SURROUND
118*	CFT42CV	UPPER TRIM FOR CONVEX SURROUND

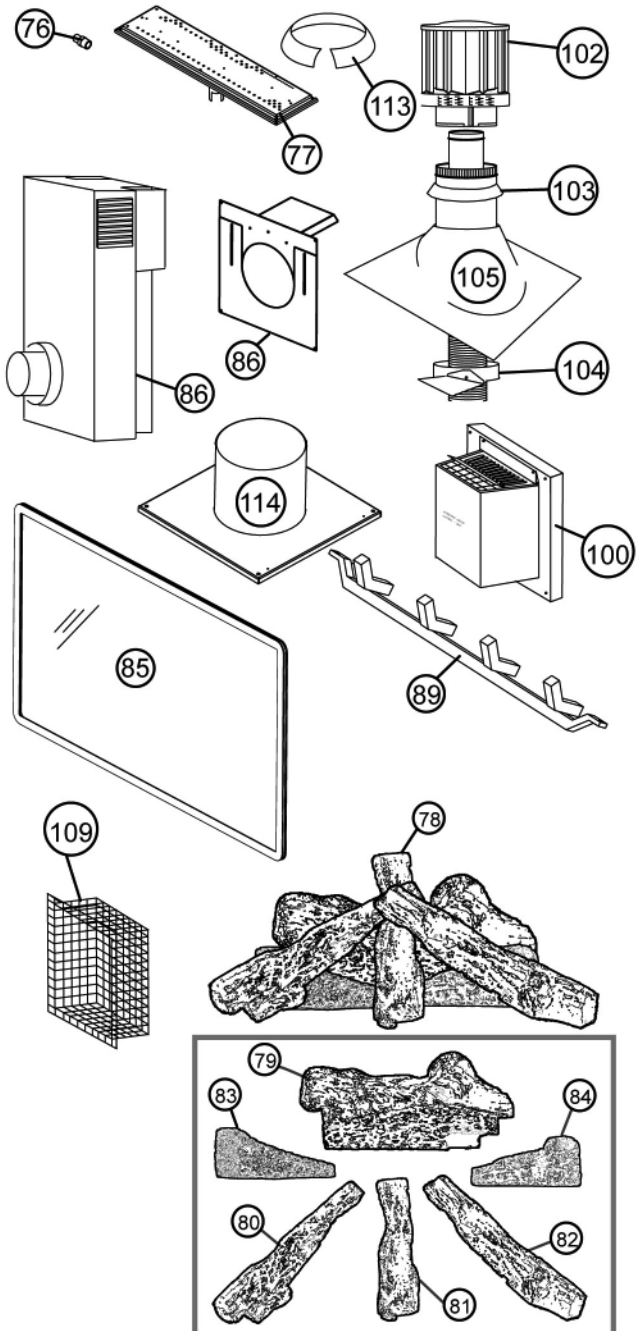
COMMON REPLACEMENTS



BGD36CF REPLACEMENTS



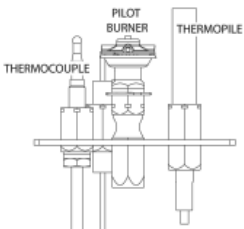
BGD42CF REPLACEMENTS



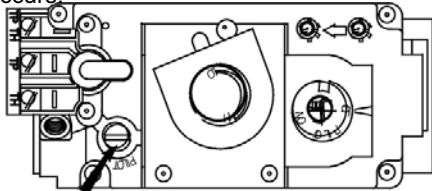
TROUBLE SHOOTING GUIDE

BEFORE ATTEMPTING TO TROUBLESHOOT, PURGE YOUR UNIT AND INITIALLY LIGHT THE PILOT AND THE MAIN BURNER WITH THE GLASS DOOR OPEN.

SYMPTOM	PROBLEM	TEST SOLUTION	
Main burner goes out; pilot stays on.	Pilot flame is not large enough or not engulfing the thermopile	<ul style="list-style-type: none"> - turn up pilot flame. - replace pilot assembly. 	
	Thermopile shorting	<ul style="list-style-type: none"> - clean thermopile connection to the valve. Reconnect. - replace thermopile / valve. 	
	Remote wall switch wire is too long; too much resistance in the system.	<ul style="list-style-type: none"> - shorten wire to correct length or wire gauge. 	
	Faulty thermostat or switch.	<ul style="list-style-type: none"> - replace. 	
Main burner goes out; pilot goes out.	Refer to "MAIN BURNER GOES OUT; PILOT STAYS ON"		
	Vent is blocked	<ul style="list-style-type: none"> - check for vent blockage. 	
	Vent is re-circulating	<ul style="list-style-type: none"> - check joint seals and installation. 	
	4" flexible vent has become disconnected from fireplace.	<ul style="list-style-type: none"> - re-attach to fireplace. - 7"Ø cap was not replaced 	
Pilot goes out when the gas knob is released. The gas valve has an interlock device which will not allow the pilot burner to be lit until the thermocouple has cooled. Allow approximately 60 seconds for the thermocouple to cool.	System is not correctly purged.	<ul style="list-style-type: none"> - purge the gas line. 	
	Out of propane gas.	<ul style="list-style-type: none"> - fill the tank. 	
	Pilot flame is not large enough	<ul style="list-style-type: none"> - turn up the pilot flame. 	
	Pilot flame is not engulfing the thermocouple.	<ul style="list-style-type: none"> - gently twist the pilot head to improve the flame pattern around the thermocouple. 	
	Thermocouple shorting / faulty.	<ul style="list-style-type: none"> - loosen and tighten thermocouple. - clean thermocouple and valve connection. - replace thermocouple. - replace valve. 	
	Faulty valve.	<ul style="list-style-type: none"> - replace. 	
Pilot burning; no gas to main burner; gas knob is on 'HI'; wall switch / thermostat is on.	Thermostat or switch is defective.	<ul style="list-style-type: none"> - connect a jumper wire across the wall switch terminals; if main burner lights, replace switch / thermostat. 	
	Wall switch wiring is defective.	<ul style="list-style-type: none"> - disconnect the switch wires & connect a jumper wire across terminals 1 & 3; if the main burner lights, check the wires for defects and / or replace wires. 	
	Main burner orifice is plugged.	<ul style="list-style-type: none"> - remove stoppage in orifice. 	
	Faulty valve.	<ul style="list-style-type: none"> - replace. 	
Pilot will not light.	No spark at pilot burner	<ul style="list-style-type: none"> - check if pilot can be lit by a match - check that the wire is connected to the push button ignitor. - check if the push button ignitor needs tightening. - replace the wire if the wire insulation is broken or frayed. - replace the electrode if the ceramic insulator is cracked or broken. - replace the push button ignitor. 	
		Out of propane gas	<ul style="list-style-type: none"> - fill the tank.
		Spark gap is incorrect	<ul style="list-style-type: none"> - spark gap should be 0.150" to 0.175" (5/32" to 11/64" approx.) from the electrode tip and the pilot burner. To ensure proper electrode location, tighten securing nut (finger tight plus 1/4 turn).
		No gas at the pilot burner	<ul style="list-style-type: none"> - check that the manual valve is turned on. - check the pilot orifice for blockage. - replace the valve. - call the gas distributor.



SYMPTOM	PROBLEM	TEST SOLUTION
Pilot goes out while standing; Main burner is in 'OFF' position.	Gas piping is undersized.	<ul style="list-style-type: none"> - turn on all gas appliances and see if pilot flame flutters, diminishes or extinguishes, especially when main burner ignites. Monitor appliance supply working pressure. - check if supply piping size is to code. Correct all undersized piping.
Flames are consistently too large or too small. Carboning occurs.	Unit is over-fired or under-fired.	<ul style="list-style-type: none"> - check pressure readings: <p>Inlet pressure can be checked by turning screw (A) counter-clockwise 2 or 3 turns and then placing pressure gauge tubing over the test point. Gauge should read 7" (minimum 4.5") water column for natural gas or 13" (11" minimum) water column for propane. Check that main burner is operating on "HI".</p> <p>Outlet pressure can be checked the same as above using screw (B). Gauge should read 3.5" water column for natural gas or 10" water column for propane. Check that main burner is operating on "HI".</p> <p>AFTER TAKING PRESSURE READINGS, BE SURE TO TURN SCREWS CLOCKWISE FIRMLY TO RESEAL. DO NOT OVERTORQUE.</p> <p>Leak test with a soap and water solution.</p>
Flames are very aggressive.	Door is ajar	- tighten screws holding door in place
	MODEL BGD42CF ONLY: Aggressive venting action due to vent height.	<ul style="list-style-type: none"> - Restrict vent exit. See "RESTRICTING VERTICAL VENTS". - VENT HEIGHT MORE THAN 15 FEET: restrict vent exit using restrictor plate kit W500-0205
Main burner flame is a blue, lazy, transparent flame.	Blockage in vent.	- remove blockage. In really cold conditions, ice buildup may occur on the terminal and should be removed as required.
	Incorrect installation.	- refer to Figure ## to ensure correct location of storm collars.
Carbon is being deposited on glass, logs or combustion chamber surfaces.	Air shutter has become blocked	- ensure air shutter opening is free of lint or other obstructions.
	Flame is impinging on the logs or combustion chamber.	<ul style="list-style-type: none"> - check that the logs are correctly positioned. - open air shutter to increase the primary air. - check the input rate: check the manifold pressure and orifice size as specified by the rating plate values. - check that the door gasketing is not broken or missing and that the seal is tight. - check that both 4" / 5" and 7" vent liners are free of holes and well sealed at all joints. <p>MODEL BGD36CF ONLY:</p> <ul style="list-style-type: none"> - check that minimum rise per foot has been adhered to for any horizontal venting.
White / grey film forms.	Sulphur from fuel is being deposited on glass, logs or combustion chamber surfaces.	<ul style="list-style-type: none"> - clean the glass with a recommended gas fireplace glass cleaner. DO NOT CLEAN GLASS WHEN HOT. <p>If deposits are not cleaned off regularly, the glass may become permanently marked.</p>
Exhaust fumes smelled in room, headaches.	Fireplace is spilling.	<ul style="list-style-type: none"> - ensure exhaust bracket gasket seal - check door seal and relief flap seal. - check for chimney blockage - check that chimney is installed to building code. - room is in negative pressure; increase fresh air supply. - check 7"Ø cap gasket on the flue pipe assembly.
Remote wall switch is in "OFF" position; main burner comes on when gas knob is turned to "ON" position.	Wall switch is mounted upside down	- reverse.
	Remote wall switch is grounding.	- replace.
	Remote wall switch wire is grounding.	- check for ground (short); repair ground or replace wire.
	Faulty valve.	- replace.



Wolf Steel Fireplace Service History

This fireplace must be serviced annually depending on usage.

Date	Dealer Name	Service Technician Name	Service Performed	Special Concerns