



# City Series® CB72E POWER VENT

Owners &  
Installation Manual



**STYLE**  
Three sided  
Corner Conversion

**MODEL**  
CB72EPV-NG / CB72EPV-LP  
671-927 / 671-928

[www.regency-fire.com](http://www.regency-fire.com)

## **⚠ WARNING**

### **FIRE OR EXPLOSION HAZARD**

Failure to follow safety warnings exactly could result in serious injury, death, or property damage.

- Do not store or use gasoline or other flammable vapors and liquids in the vicinity of this or any other appliance.
- **WHAT TO DO IF YOU SMELL GAS**
  - Do not try to light any appliance.
  - Do not touch any electrical switch: do not use any phone in your building. Leave the building immediately.
  - Immediately call your gas supplier from a neighbour's phone. Follow the gas supplier's instructions.
  - If you cannot reach your gas supplier, call the fire department.
- Installation and service must be performed by a qualified installer, service agency or the gas supplier.

Tested by:



Certified to/Certifié pour: CSA 2.17-2017  
ANSI Z21.88-2017  
CSA 2.33-2017

*Installer:* Please complete the details on the back cover and leave this manual with the homeowner.  
*Homeowner:* Please keep these instructions for future reference.

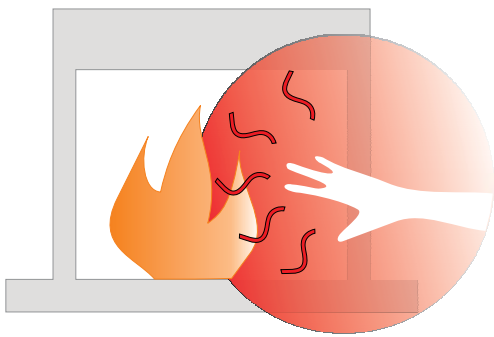
**To the New Owner:**

Congratulations!

You are the owner of a state-of-the-art Gas Fireplace by REGENCY®. The City Series are hand crafted appliances and have been designed to provide you with all the warmth and charm of a wood fireplace at the flick of a switch. The CB72EPV City Series have been approved by Intertek for both safety and efficiency. As it also bears our own mark, it promises to provide you with economy, comfort and security for many trouble free years to follow. Please take a moment now to acquaint yourself with these instructions and the many features of your Regency® Fireplace.



# DANGER



**HOT GLASS WILL  
CAUSE BURNS**

**DO NOT TOUCH GLASS  
UNTIL COOLED**

**NEVER ALLOW CHILDREN  
TO TOUCH GLASS**

A barrier designed to reduce the risk of burns from the hot viewing glass is provided with this appliance and shall be installed for the protection of children and other at risk individuals.

## CAUTION:

**HOT WHILE IN OPERATION. DO NOT TOUCH.  
SEVERE BURNS MAY RESULT. KEEP CHILDREN, CLOTHING, FURNITURE,  
GASOLINE, AND ANY LIQUIDS WITH FLAMMABLE VAPOURS AWAY.**

**KEEP BURNER AND CONTROL COMPARTMENT CLEAN.  
SEE INSTALLATION AND OPERATING INSTRUCTIONS ACCOMPANYING  
APPLIANCE.**

919-358

**This appliance may be installed in an aftermarket, permanently located, manufactured home (USA only) or mobile home, where not prohibited by local codes.**

**This appliance is only for use with the type of gas indicated on the rating plate. This appliance is not convertible for use with other gases, unless a certified kit is used.**

## **MANUFACTURED MOBILE HOME REQUIREMENTS**

### **INFORMATION FOR MOBILE/MANUFACTURED HOMES AFTER FIRST SALE**

This Regency® product has been tested and listed by Intertek as a Direct Vent Wall Furnace to the following standards: to Vented Gas Fireplace Heaters ANSI Z21.88-2017 • CSA 2.33-2017 and Gas-fired Appliances for Use at High Altitudes CSA 2.17-2017.

This Direct Vent System Appliance must be installed in accordance with the manufacturer's installation instructions and the Manufactured Home Construction and Safety Standard, Title 24 CFR, Part 3280, or the current Standard of Fire Safety Criteria for Manufactured Home Installations, Sites, and Communities ANSI/NFPA 501A, and with CAN/CSA Z240-MH Mobile Home Standard in Canada.

This appliance installation must comply with the manufacturer's installation instructions and local codes, if any. In the absence of local codes follow the current National Fuel Gas Code, ANSI Z223.1 and the current National Electrical Code ANSI/NFPA 70 in the U.S.A., and the current CAN/CGA B149 Gas Installation Code and the current Canadian Electrical Code CSA C22.1 in Canada.

This Regency® mobile/manufactured home listed appliance comes factory equipped with four 1/4" diameter holes located near each corner of the base. Fasten the fireplace in place using screw, inserted through the holes.

This appliance comes equipped with a dedicated #8 Ground Lug for attachment of the ground wire to the steel chassis as applicable to local codes. See the "Wiring Diagram" section.

The appliance, when installed, must be electrically grounded in accordance with local codes or, in the absence of local codes, with the National Electrical Code, ANSI/NFPA 70, or the Canadian Electrical Code, CSA C22.1.

This appliance may only be installed in an aftermarket permanently located, manufactured home (U.S.A only) or mobile home, where not prohibited by local codes.

This appliance can only be used with the type of gas indicated on the rating plate. This appliance is not convertible for use with other cases, unless a certified kit is used.

Ensure that structural members are not cut or weakened during installation.





## WARNING

### **CARBON MONOXIDE POISONING HAZARD**

Failure to follow the steps outlined below for each appliance connected to the venting system being placed into operation could result in carbon monoxide poisoning or death. The following steps shall be followed for each appliance connected to the venting system being placed into operation, while all other appliances connected to the venting system are not in operation:

1. Seal any unused openings in the venting system.
2. Inspect the venting system for proper size and horizontal pitch, as required in the *National Fuel Gas Code*, ANSI Z223.1/NFPA 54 or the *Natural Gas and Propane Installation Code*, CSA B149.1 and these instructions. Determine that there is no blockage or restriction, leakage, corrosion and other deficiencies which could cause an unsafe condition.
3. As far as practical, close all building doors and windows and all doors between the space in which the appliance(s) connected to the venting system are located and other spaces of the building.
4. Close fireplace dampers.
5. Turn on clothes dryers and any appliance not connected to the venting system. Turn on any exhaust fans, such as range hoods and bathroom exhausts, so they are operating at maximum speed. Do not operate a summer exhaust fan.
6. Follow the lighting instructions. Place the appliance being inspected into operation. Adjust the thermostat so appliance is operating continuously.
7. Test for spillage from draft hood equipped appliances at the draft hood relief opening after 5 minutes of main burner operation. Use the flame of a match or candle.
8. If improper venting is observed during any of the above tests, the venting system must be corrected in accordance with *National Fuel Gas Code*, ANSI Z223.1/NFPA and/or *Natural Gas and Propane Installation Code*, CSA B149.1.
9. After it has been determined that each appliance connected to the venting system properly vents when tested as outlined above, return doors, windows, exhaust fans, fireplace damper and any other gas-fired burning appliance to the previous conditions of use.

# table of contents

## Owner's information

Copy of Safety Decal .....	6
Important Message .....	9
Before You Start.....	9
First Fire .....	10
Normal Operating Sounds Of Gas Appliances.....	10
Lighting Procedure .....	11
Shutdown Procedure .....	11
Copy of the Lighting Plate Instructions .....	12
Proflame II Remote Control Operating Instructions.....	13
Front & Side Glass Barrier Removal.....	17
Glass Barrier Adjustment.....	18
Inner Glass Panel Installation/Removal.....	19
Inner Glass Panel Installation / Removal - Side Glass	21
Optional Front Barrier Glass Stoppers Installation .....	22
Bulb Replacement .....	23
Maintenance Instructions .....	24
Log Replacement .....	24
Glass .....	24
Glass Replacement .....	24

## Installer's information

General Safety Information.....	26
Installation Checklist.....	26
Heatwave Duct System Optional Kit .....	26
Locating Your Gas Fireplace - Bay Install .....	27
Locating Your Gas Fireplace - Corner Install .....	27
Unit Assembly Prior to Installation.....	28
Clearances CB72EPV - Bay Install.....	30
Clearances CB72EPV .....	31
Clearances - Corner Install.....	32
Mantel Clearances CB72EPV .....	33
Mantel Leg Clearances.....	33
Framing Dimensions CB72EPV - Bay Install.....	34
Framing Dimensions Corner Kit - Corner Install (Right Corner) .....	35
Framing Dimensions Corner Kit - Corner Install (Left Corner) .....	36
CB72 Corner Conversion - Assembly Steps.....	37
Optional Framing Kit CB72EPV.....	40
Gas Connection - Back of Unit .....	43
Gas Connection - Bottom of Unit.....	43
Gas Connection - Side of Unit.....	43
Electrical Connection - Bottom of Unit.....	44
Electrical Connection - Side of Unit.....	44
CB72EPV Chase Vent Installation.....	45
Wall Board/Drywall Installation CB72EPV .....	48
No Screw Zones CB72EPV .....	48
Framing and Finishing Inset Installations CB72EPV ..	49
CB72EPV Typical Installations.....	50
Flush Install .....	50
Recessed Install .....	50
CB72EPV Typical Installations.....	51
Maximum TV Recess.....	51
Flush TV with Heart.....	51
CB72EPV Finishing.....	52
Chase Venting .....	53


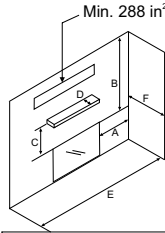

Wall Mount On / Off Switch and Battery Holder Installation.....	54
Exterior Vent Termination Locations .....	55
Venting Arrangements for Horizontal Terminations.....	56
Vent Restrictor Position .....	56
4"x 6-5/8" Rigid Pipe Cross Reference Chart.....	57
Horizontal Terminations Rigid Pipe 4" x 6-5/8" .....	59
Unit Installation with Horizontal Termination 4" x 6-5/8" venting .....	60
Gas Power Vent Installation CB72EPV - Rigid Pipe ....	61
Unit Installation with Horizontal Termination .....	62
Horizontal Terminations Flex Vent 4" x 6-5/8" .....	63
Vertical Flue Extension Kit (Approved Models) .....	64
Top Vent Reducer Installation .....	65
Ceiling Firestop / Firestop Spacer .....	65
Gas Power Vent Installation CB72EPV - Flex Pipe.....	66
Gas Power Vent Installation - Wiring the Power Vent to the Unit .....	69
Wiring the Unit.....	71
Wiring Diagrams .....	72
System Data .....	73
High Elevation.....	73
Gas Line Installation .....	73
Pilot Adjustment.....	73
Gas Pipe Pressure Testing .....	73
885 S.I.T. Valve Description .....	73
Heatwave Deflector + Heatwave Venting Installation...	74
Inner Glass Panel Installation / Removal.....	75
Glass Barrier Installation .....	77
Glass Barrier Adjustment.....	78
Optional Barrier Glass Stoppers Installation/Removal	79
LP Conversion Instructions.....	80
Bulb Replacement .....	82
CB72EPV Painted Panel Installation .....	83
Inner Panels - CB72EPV .....	83
Outer Panels - CB72EPV .....	83
CB72EPV Enamel Panel Installation .....	85
CB72EPV Glass Panel Installation.....	87
Burner and Firebox Media Options.....	89
Optional Driftwood Log Set Installation .....	90
Optional Birch Wood Log Set Installation .....	94
Optional Split Wood Log Set Installation .....	98
Glass Barrier Installation - Front.....	99
Glass Barrier Adjustment.....	100
Aeration Adjustment .....	101
Minimum Air Shutter Opening .....	101
Maintenance Instructions .....	102
Flame Pattern .....	102
Log Replacement .....	102
Glass Gasket .....	102
Glass .....	102
Glass Replacement .....	102
Valve Replacement.....	103
Power Vent Maintenance .....	104
CB72EPV Main Assembly.....	106
Power Vent.....	109
Warranty .....	110

# safety decal

This is a copy of the label that accompanies Direct Vent Gas Fireplace. We have printed a copy of the contents here for your review. The safety label is located on the front inside base of the unit, visible when the outer front panel is removed.

NOTE: Regency® units are constantly being improved. Check the label on the unit and if there is a difference, the label on the unit is the correct one.

## Copy of Safety Decal

<b>Duplicate S/N</b>		<b>470</b>																
	<b>Listed/Nom:</b> VENTED GAS FIREPLACE HEATER / FOYER AU GAZ À ÉVACUATION <b>DO NOT REMOVE THIS LABEL / NE PAS ENLEVER CETTE ÉTIQUETTE</b> <b>Certified to / Certifié :</b> ANSI Z21.88-2017 • CSA-2.33-2017 CSA 2.17-2017 <b>MAY BE INSTALLED IN MANUFACTURED (MOBILE) HOMES AFTER FIRST SALE.</b> Refer to Intertek's Directory of Building Products for detailed information. Pour plus de détails , se reporter au Répertoire des produits de construction de Intertek.	Serial No. / No de série  <b>470</b>																
<table style="width: 100%; border-collapse: collapse;"> <tr> <td style="width: 50%; padding: 5px;"> <b>NATURAL GAS: Model: CB72EPV-NG</b>                      Minimum supply pressure 5.0" WC/C.E. (1.25 kPa)                      Manifold pressure - High 3.5" WC/C.E. (0.87 kPa)                      Manifold pressure - Low 1.6" WC/C.E. (0.40 kPa)                      Orifice size #30 DMS                      Maximum input 46,500 Btu/h (13.63 kW)                      Minimum input 32,000 Btu/h (9.37 kW)                      Altitude 0-4500 ft/pi (0-1372 m)                 </td> <td style="width: 50%; padding: 5px;"> <b>GAZ NATUREL : Modèle CB72EPV-NG</b>                      Pression d'alimentation minimale                      Pression de sortie (manifold) - Haute                      Pression de sortie (manifold) - Basse                      Taille de l'orifice                      Débit calorifique maximal                      Débit calorifique minimal                      Altitude                 </td> </tr> <tr> <td style="padding: 5px;"> <b>PROPANE GAS: Model: CB72EPV-LP</b>                      Minimum supply pressure 11" WC/C.E. (2.73 kPa)                      Manifold pressure - High 10" WC/C.E. (2.49 kPa)                      Manifold pressure - Low 6.4" WC/C.E. (1.59 kPa)                      Orifice size #47 DMS                      Maximum input 45,500 Btu/h (13.33kW)                      Minimum input 36,000 Btu/h (10.55 kW)                      Altitude 0-4500 ft/pi (0-1372 m)                 </td> <td style="padding: 5px;"> <b>GAZ PROPANE : Modèle CB72EPV-LP</b>                      Pression d'alimentation minimale                      Pression de sortie (manifold) - Haute                      Pression de sortie (manifold) - Basse                      Taille de l'orifice                      Débit calorifique maximal                      Débit calorifique minimal                      Altitude                 </td> </tr> </table>		<b>NATURAL GAS: Model: CB72EPV-NG</b> Minimum supply pressure 5.0" WC/C.E. (1.25 kPa) Manifold pressure - High 3.5" WC/C.E. (0.87 kPa) Manifold pressure - Low 1.6" WC/C.E. (0.40 kPa) Orifice size #30 DMS Maximum input 46,500 Btu/h (13.63 kW) Minimum input 32,000 Btu/h (9.37 kW) Altitude 0-4500 ft/pi (0-1372 m)	<b>GAZ NATUREL : Modèle CB72EPV-NG</b> Pression d'alimentation minimale Pression de sortie (manifold) - Haute Pression de sortie (manifold) - Basse Taille de l'orifice Débit calorifique maximal Débit calorifique minimal Altitude	<b>PROPANE GAS: Model: CB72EPV-LP</b> Minimum supply pressure 11" WC/C.E. (2.73 kPa) Manifold pressure - High 10" WC/C.E. (2.49 kPa) Manifold pressure - Low 6.4" WC/C.E. (1.59 kPa) Orifice size #47 DMS Maximum input 45,500 Btu/h (13.33kW) Minimum input 36,000 Btu/h (10.55 kW) Altitude 0-4500 ft/pi (0-1372 m)	<b>GAZ PROPANE : Modèle CB72EPV-LP</b> Pression d'alimentation minimale Pression de sortie (manifold) - Haute Pression de sortie (manifold) - Basse Taille de l'orifice Débit calorifique maximal Débit calorifique minimal Altitude	<p style="text-align: center;"><b>Minimum Clearances to Combustibles / Dégagement minimaux par rapport aux matériaux combustibles</b></p>  <p style="text-align: center;"><b>Min. 288 in<sup>2</sup></b></p> <table style="width: 100%; border-collapse: collapse;"> <tr> <td style="width: 50%;"><b>Side Walls / Murs latéraux</b></td> <td style="width: 50%;"><b>A</b> 8" (203 mm)</td> </tr> <tr> <td><b>Ceiling / Plafond</b></td> <td><b>B</b> 61-3/4" (1568mm)</td> </tr> <tr> <td><b>Min. Mantel Height /Hteur Min Manteau</b></td> <td><b>C</b> 9" (229 mm) with 12" mantel</td> </tr> <tr> <td><b>Max. Mantel Depth/Profondeur Max Manteau</b></td> <td><b>D</b> 12" (305 mm)</td> </tr> <tr> <td><b>Alcove Width/Largeur Alcôve</b></td> <td><b>E</b> 88" (2235 mm)</td> </tr> <tr> <td><b>Alcove Depth/Profondeur Alcôve</b></td> <td><b>F</b> 36" (2134 mm)</td> </tr> </table> <p style="text-align: center; color: red; font-weight: bold; font-size: small;">DOOR SEAL: Please check that the door is properly sealed</p> <p style="text-align: right; font-size: x-small;">(See instruction manual for detailed instructions) (Voir manuel pour plus de détails)</p>	<b>Side Walls / Murs latéraux</b>	<b>A</b> 8" (203 mm)	<b>Ceiling / Plafond</b>	<b>B</b> 61-3/4" (1568mm)	<b>Min. Mantel Height /Hteur Min Manteau</b>	<b>C</b> 9" (229 mm) with 12" mantel	<b>Max. Mantel Depth/Profondeur Max Manteau</b>	<b>D</b> 12" (305 mm)	<b>Alcove Width/Largeur Alcôve</b>	<b>E</b> 88" (2235 mm)	<b>Alcove Depth/Profondeur Alcôve</b>	<b>F</b> 36" (2134 mm)
<b>NATURAL GAS: Model: CB72EPV-NG</b> Minimum supply pressure 5.0" WC/C.E. (1.25 kPa) Manifold pressure - High 3.5" WC/C.E. (0.87 kPa) Manifold pressure - Low 1.6" WC/C.E. (0.40 kPa) Orifice size #30 DMS Maximum input 46,500 Btu/h (13.63 kW) Minimum input 32,000 Btu/h (9.37 kW) Altitude 0-4500 ft/pi (0-1372 m)	<b>GAZ NATUREL : Modèle CB72EPV-NG</b> Pression d'alimentation minimale Pression de sortie (manifold) - Haute Pression de sortie (manifold) - Basse Taille de l'orifice Débit calorifique maximal Débit calorifique minimal Altitude																	
<b>PROPANE GAS: Model: CB72EPV-LP</b> Minimum supply pressure 11" WC/C.E. (2.73 kPa) Manifold pressure - High 10" WC/C.E. (2.49 kPa) Manifold pressure - Low 6.4" WC/C.E. (1.59 kPa) Orifice size #47 DMS Maximum input 45,500 Btu/h (13.33kW) Minimum input 36,000 Btu/h (10.55 kW) Altitude 0-4500 ft/pi (0-1372 m)	<b>GAZ PROPANE : Modèle CB72EPV-LP</b> Pression d'alimentation minimale Pression de sortie (manifold) - Haute Pression de sortie (manifold) - Basse Taille de l'orifice Débit calorifique maximal Débit calorifique minimal Altitude																	
<b>Side Walls / Murs latéraux</b>	<b>A</b> 8" (203 mm)																	
<b>Ceiling / Plafond</b>	<b>B</b> 61-3/4" (1568mm)																	
<b>Min. Mantel Height /Hteur Min Manteau</b>	<b>C</b> 9" (229 mm) with 12" mantel																	
<b>Max. Mantel Depth/Profondeur Max Manteau</b>	<b>D</b> 12" (305 mm)																	
<b>Alcove Width/Largeur Alcôve</b>	<b>E</b> 88" (2235 mm)																	
<b>Alcove Depth/Profondeur Alcôve</b>	<b>F</b> 36" (2134 mm)																	
This appliance must be installed in accordance with local codes, if any; if none, follow the National Fuel Gas Code, ANSI Z223.1, or Natural Gas and Propane Installation Code, CSA B149.1. This appliance must be installed in accordance with the Standard CAN/CSA Z240 MH, Mobile Housing, in Canada, or with the Manufactured Home Construction and Safety Standard, Title 24 CFR, Part 3280, in the United States, or when such a standard is not applicable, ANSI/NCSSBCS A225.1/NFPA 501A, Manufactured Home Installations Standard. This appliance is only for use with the type(s) of gas indicated on the rating plate and may be installed in an aftermarket, permanently located, manufactured home (USA only) or mobile home, where not prohibited by local codes. See owner's manual for details. This appliance is supplied with a conversion kit. L'appareil doit être installé conformément aux codes et règlements locaux, ou, en l'absence de tels règlements, selon les codes d'installation National Fuel Gas Code ANSI Z223.1, ou CSA-B149.1 Natural Gas and Propane Installation Code en vigueur. L'appareil doit être installé conformément à la norme CAN/CSA-Z240, Série MM, Maisons mobiles, ou la norme 24 CFR Part 3280, Manufactured Home Construction and Safety Standard. Si ces normes ne sont pas applicables, veuillez vous référer à la norme ANSI/NCSSBCS A225.1/NFPA 501A. Cet appareil doit être utilisé uniquement avec les types de gaz indiqués sur la plaque signalétique et peut être installé dans une maison préfabriquée (É.-U. seulement) ou mobile installée à demeure si les règlements locaux le permettent. Voir la notice de l'utilisateur pour plus de renseignements. Une trousse de conversion est fournie avec cet appareil. <b>For Use Only with Barriers CB72E (Part #940-500/P,#940-502/P,#940-503/P) Follow installation instructions.</b> <b>Utiliser uniquement avec l'écrans CB72E (n°940-500/P,n°940-502/P,n°940-503/P) Suivre les instructions d'installation.</b> <b>FOR USE WITH GLASS DOORS CERTIFIED WITH THE APPLIANCE ONLY DOIT ÊTRE UTILISÉ UNIQUEMENT AVEC LES PORTES VITRÉES CERTIFIÉES</b> Electrical supply / Alimentation électrique 115VAC, 2.5A, 60Hz. Part No. 946-556 Heatwave Kit may be used. Le système Heatwave (pièce n°946-556) peut être utilisé. <b>VENTED GAS FIREPLACE - NOT FOR USE WITH SOLID FUELS.</b> <b>FOYER AU GAZ À ÉVACUATION - NE PAS UTILISER AVEC UN COMBUSTIBLE SOLIDE.</b>																		
<b>Model/Modèle :</b> <b>CB72EPV-NG</b> <b>CB72EPV-LP</b>		<b>FPI Fireplace Products International Ltd. Delta, BC, Canada</b> Made in Canada/ Fabriqué au Canada																
	CANADIAN ENERGY PERFORMANCE VERIFIED CSA P.4.1 Fireplace Efficiency (FE) /Efficacité énergétique des foyers (EEF) CSA P.4.1 Natural Gas / Gaz naturel 63.39% Propane Gas / Gaz propane 65.52%	919-889c																

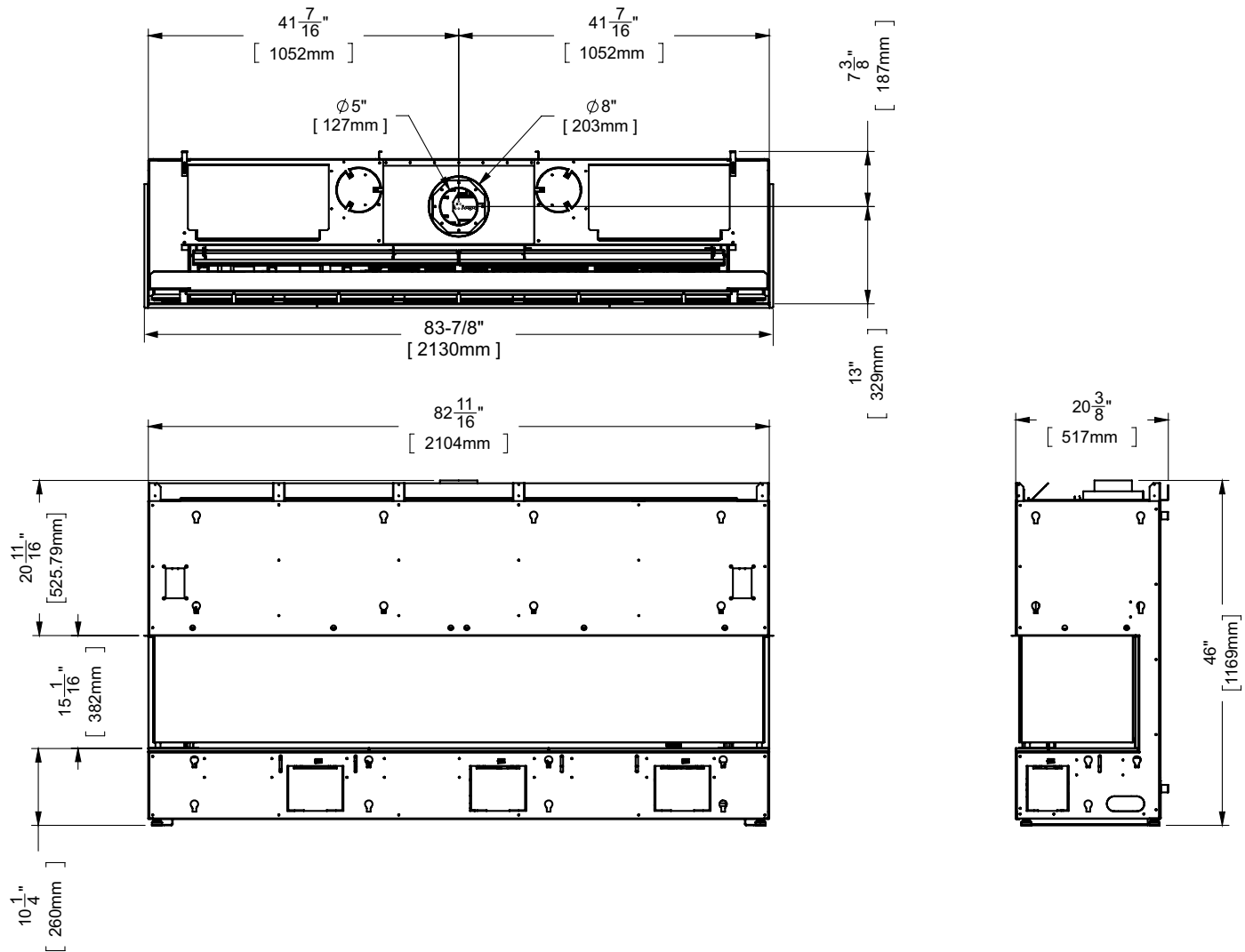
For the State of Massachusetts, installation and repair must be done by a plumber or gas fitter licensed in the Commonwealth of Massachusetts.

For the State of Massachusetts, flexible connectors shall not exceed 36 inches in length.

For the State of Massachusetts, the appliances individual manual shut-off must be a t-handle type valve.

The State of Massachusetts requires the installation of a carbon monoxide alarm in accordance with NFPA 720 and a CO alarm with battery back up in the same room where the gas appliance is installed.

CB72EPV Dimensions - Bay Install



Note: Height Dimension is taken with leveling legs fully inserted and may vary depending on the height of the leveling legs, when unscrewed or extended.

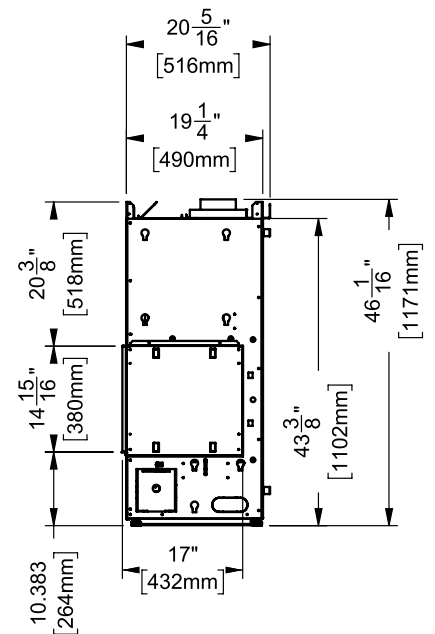
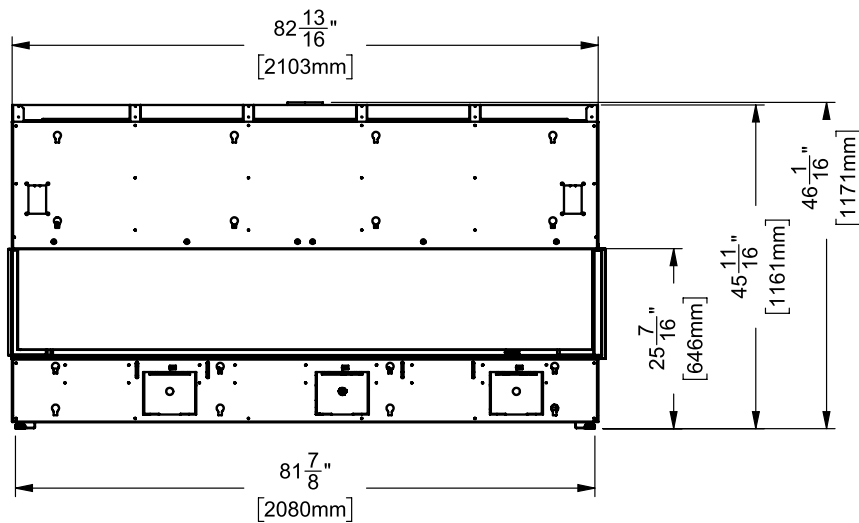
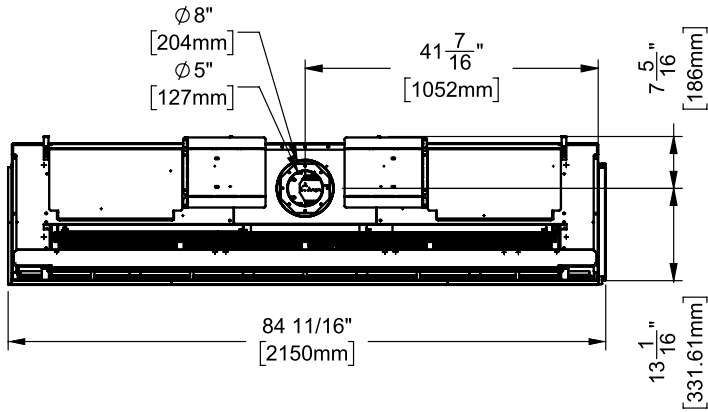
Dimensions will appear as (inches)" / (metric) mm throughout this manual. The inches are rounded to the nearest 1/16" when converted, when greater accuracy is required, use the metric dimensions.

**Note: These units are non-load bearing.**

ALL PICTURES / DIAGRAMS SHOWN THROUGHOUT THIS MANUAL ARE FOR ILLUSTRATION PURPOSES ONLY. ACTUAL PRODUCT MAY VARY DUE TO PRODUCT ENHANCEMENTS.

# dimensions

## CB72EPV Dimensions - Corner Install



Note: Height Dimension is taken with leveling legs fully inserted and may vary depending on the height of the leveling legs, when unscrewed or extended.

Dimensions will appear as (inches)" / (metric) mm throughout this manual. The inches are rounded to the nearest 1/16" when converted, when greater accuracy is required, use the metric dimensions.

**Note: These units are non-load bearing.**

**ALL PICTURES / DIAGRAMS SHOWN THROUGHOUT THIS MANUAL ARE FOR ILLUSTRATION PURPOSES ONLY. ACTUAL PRODUCT MAY VARY DUE TO PRODUCT ENHANCEMENTS.**



**Important Message****SAVE THESE INSTRUCTIONS**

City Line Direct Vent Fireplaces must be installed in accordance with these instructions. Carefully read all the instructions in this manual first. Consult the "authority having jurisdiction" to determine the need for a permit prior to starting the installation. It is the responsibility of the installer to ensure this fireplace is installed in compliance with manufacturer's instructions and all applicable codes.

**Before You Start**

Safe installation and operation of this appliance requires common sense, however, we are required by the Canadian Safety Standards and ANSI Standards to make you aware of the following:

**INSTALLATION AND REPAIR SHOULD BE DONE BY AN AUTHORIZED SERVICE PERSON. THE APPLIANCE SHOULD BE INSPECTED BEFORE USE AND AT LEAST ANNUALLY BY A PROFESSIONAL SERVICE PERSON. MORE FREQUENT CLEANING MAY BE REQUIRED DUE TO EXCESSIVE LINT FROM CARPETING, BEDDING MATERIAL, ETC. IT IS IMPERATIVE THAT CONTROL COMPARTMENTS, BURNERS AND CIRCULATING AIR PASSAGEWAYS OF THE APPLIANCE BE KEPT CLEAN.**

**DUE TO HIGH TEMPERATURES, THE APPLIANCE SHOULD BE LOCATED OUT OF TRAFFIC AND AWAY FROM FURNITURE AND DRAPERIES.**

**WARNING: FAILURE TO INSTALL THIS APPLIANCE CORRECTLY WILL VOID YOUR WARRANTY AND MAY CAUSE A SERIOUS HOUSE FIRE.**



**CHILDREN AND ADULTS SHOULD BE ALERTED TO THE HAZARDS OF HIGH SURFACE TEMPERATURES, ESPECIALLY THE FIREPLACE GLASS, AND SHOULD STAY AWAY TO AVOID BURNS OR CLOTHING IGNITION.**

**YOUNG CHILDREN SHOULD BE CAREFULLY SUPERVISED WHEN THEY ARE IN THE SAME AREA AS THE APPLIANCE. TODDLERS, YOUNG CHILDREN AND OTHERS MAY BE SUSCEPTIBLE TO ACCIDENTAL CONTACT BURNS. A PHYSICAL BARRIER IS RECOMMENDED IF THERE ARE AT RISK INDIVIDUALS IN THE HOUSE. TO RESTRICT ACCESS TO A FIREPLACE OR STOVE, INSTALL AN ADJUSTABLE SAFETY GATE TO KEEP TODDLERS, YOUNG CHILDREN AND OTHER AT RISK INDIVIDUALS OUT OF THE ROOM AND AWAY FROM HOT SURFACES.**

**CLOTHING OR OTHER FLAMMABLE MATERIAL SHOULD NOT BE PLACED ON OR NEAR THE APPLIANCE.**

**A BARRIER DESIGNED TO REDUCE THE RISK OF BURNS FROM THE HOT VIEWING GLASS IS PROVIDED WITH THIS APPLIANCE AND SHALL BE INSTALLED FOR THE PROTECTION OF CHILDREN AND OTHER AT-RISK INDIVIDUALS**

**ANY SAFETY SCREEN, GUARD, OR BARRIER REMOVED FOR SERVICING THE APPLIANCE, MUST BE REPLACED PRIOR TO OPERATING THE APPLIANCE.**

**IF THE BARRIER BECOMES DAMAGED, THE BARRIER SHALL BE REPLACED WITH THE MANUFACTURER'S BARRIER FOR THIS APPLIANCE.**

**WE RECOMMEND REMOVING THE GLASS WITH THE GLASS VACUUM HOLDERS SUPPLIED BY THE MANUFACTURER. LOWER THE GLASS TO REST IN A SAFE PLACE. THIS IS TO PREVENT DAMAGE TO THE GLASS EDGES. EXTRA CARE MUST BE TAKEN WHEN REMOVING/INSTALLING THE GLASS. BREAKAGE OR DAMAGE TO THE EDGE OF THE GLASS WHICH OCCURS AS A RESULT OF CARELESS HANDLING WILL NOT BE COVERED UNDER WARRANTY.**

**WARNING: Cancer and Reproductive Harm**  
www.P65Warnings.ca.gov

919-874

## owner's information

### First Fire

The **FIRST FIRE** in your fireplace is part of the paint curing process. To ensure the paint is properly cured, it is recommended you burn your fireplace for at least four (4) hours the first time.

When first operated, the unit will release an odour caused by the curing of the paint and the burning off of any oils remaining from manufacturing. Smoke detectors in the house may go off at this time. Open a few windows to ventilate the room for a couple of hours. The glass may require cleaning.

**NOTE:** When the glass is cold and the appliance is lit, it may cause condensation and fog the glass. This condensation is normal and will disappear in a few minutes as the glass heats up.

**DO NOT ATTEMPT TO CLEAN THE GLASS WHILE IT IS STILL HOT!**

**DO NOT BURN THE UNIT WITHOUT THE GLASS IN PLACE.**

**During the first few fires, a white film may develop on the glass front as part of the curing process. The glass should be cleaned after the unit has cooled down or the film will bake on and become very difficult to remove. Use a non-abrasive cleaner and DO NOT ATTEMPT TO CLEAN THE GLASS WHILE IT IS HOT.**

### Normal Operating Sounds Of Gas Appliances

It is possible that you will hear some sounds from your gas appliance. This is perfectly normal due to the fact that there are various gauges and types of steel used within your appliance. Listed below are some examples. All are **normal operating sounds** and should not be considered as defects in your appliance.

#### **Burner Tray:**

The burner tray is positioned directly under the burner tube(s) media and logs and is made of a different gauge material from the rest of the firebox and body. Therefore, the varying thicknesses of steel will expand and contract at slightly different rates which can cause "ticking" and "cracking" sounds. You should also be aware that as there are temperature changes within the unit these sounds will likely re-occur. Again, this is normal for steel fireboxes.

#### **Pilot Flame:**

While the pilot flame is on it can make a very slight "whisper" sound.

#### **Gas Control Valve:**

As the gas control valve turns ON and OFF, a dull clicking sound may be audible, this is normal operation of a gas regulator or valve.

#### **Unit Body/Firebox:**

Different types and thicknesses of steel will expand and contract at different rates resulting in some "cracking" and "ticking" sounds will be heard throughout the cycling process.

## Lighting Procedure

**IMPORTANT:** The remote control system supplied with this appliance has several options for starting/operating the appliance using the battery holder and ON/OFF key on the hand held transmitter.

Prior to operating this appliance, please read the remote control operating instructions (packaged with remote control) to understand how to operate this remote control system.

1. Ensure the battery holder switch is in the Remote position and / or wall mounted battery holder (if equipped) is in the <REMOTE> position.
2. Press and release the ON/OFF button on the remote handheld transmitter (see Diagram 1). An audible beep should be heard from the receiver. If not using the remote, the unit can also be turned on by sliding the battery holder switch to the <ON> position (if equipped).



Diagram 1

3. After approximately 15 seconds (for power vent models) the spark ignition system will spark for 60 seconds to light the main burner.
4. The unit will turn on.



\* Actual transmitter is black as shown in Diagram 1.

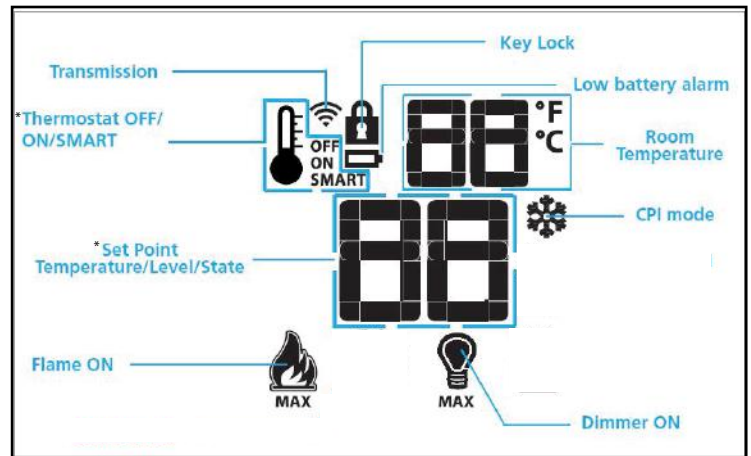
**Note:** The first try for ignition will last approximately 60 seconds. If there is no flame ignition (rectification) the board will stop sparking for approximately 35 seconds. After wait time, the board will start second try for ignition by sparking for approximately 60 seconds. If there is still no positive ignition the board will go into lock out.

The system will need to be reset as follows:

- a) Turn the system off by pressing the ON/OFF button on the remote.
- b) Wait 5 minutes then repeat from step 2.

## Shutdown Procedure

1. Press the ON/OFF button on the remote
2. If service is to be performed- you must disconnect power and shut off gas to the unit.



\* Not offered on all models.

### Continuous Pilot/Intermittent Pilot (CPI/IPI) selection

See remote control instructions for details.

**Note:** Power vent models do not have a continuous pilot option.

## Copy of the Lighting Plate Instructions

### FOR YOUR SAFETY READ BEFORE LIGHTING POUR VOTRE SÉCURITÉ – À LIRE AVANT LA MISE EN MARCHÉ

This appliance must be installed in accordance with local codes, if any; if none, follow the National Fuel Gas Code, ANSI Z223.1/NFPA 54, or Natural Gas and Propane Installation Codes, CSA B149.1.  
Cet appareil doit être installé conformément aux codes locaux, s'il y a lieu. En l'absence de tels codes, suivre le National Fuel Gas Code, ANSI Z223.1/NFPA 54, ou les Natural Gas and Propane Installation Codes, CSA B149.1.

**WARNING: If you do not follow these instructions exactly, a fire or explosion may result causing property damage, personal injury or loss of life. Improper installation, adjustment, alteration, service or maintenance can cause injury or property damage. Refer to the owner's information manual provided with this appliance. For assistance or additional information consult a qualified installer, service agency or gas supplier.**

**AVERTISSEMENT : Quiconque ne respecte pas scrupuleusement les instructions de la présente notice risque de déclencher un incendie ou une explosion pouvant entraîner des dégâts matériels ou des blessures pouvant être mortelles. Tout défaut d'installation, de réglage, de modification, de service ou d'entretien peut entraîner des blessures ou des dommages matériels. Reportez-vous au manuel d'utilisation fourni avec cet équipement. Pour obtenir de l'aide ou des informations complémentaires, consulter un installateur ou un service d'entretien qualifié, ou le fournisseur de gaz.**

- A) This appliance is equipped with an ignition device which automatically lights the pilot.  
Do not try to light the pilot by hand.
- B) **BEFORE OPERATING** smell all around the appliance area for gas. Be sure to smell next to the floor because some gas is heavier than air and will settle on the floor.
- WHAT TO DO IF YOU SMELL GAS**
- Do not try to light any appliance.
  - Do not touch any electric switch, do not use any phone in your building.
  - Immediately call your gas supplier from a neighbour's phone. Follow the gas supplier's instructions.
  - If you cannot reach your gas supplier, call the fire department.
- C) Do not use this appliance if any part has been under water. Immediately call a qualified service technician to inspect the appliance and replace any part of the control system and any gas control which has been underwater.
- A) Cet appareil est muni d'un dispositif d'allumage qui allume automatiquement la veilleuse.  
Ne tentez pas d'allumer la veilleuse manuellement.
- B) **AVANT LA MISE EN MARCHÉ**, reniflez tout autour de l'appareil pour déceler une odeur de gaz. Reniflez au niveau du plancher, car certains gaz sont plus lourds que l'air et peuvent s'accumuler au niveau du sol.

#### QUE FAIRE SI VOUS SENTEZ UNE ODEUR DE GAZ :

- Ne tentez pas d'allumer l'appareil
  - Ne touchez à aucun interrupteur; n'utilisez pas de téléphones se trouvant dans le bâtiment.
  - Appelez immédiatement votre fournisseur de gaz depuis un téléphone extérieur. Suivez les instructions du fournisseur.
  - Si vous ne pouvez pas rejoindre le fournisseur, appelez le service incendie.
- C) N'utilisez pas cet appareil s'il a été plongé dans l'eau, même partiellement. Faites inspecter l'appareil par un technicien qualifié et remplacez tout élément du système de contrôle ou de commande qui a été plongé dans l'eau.

**CAUTION: Hot while in operation. Do not touch. Severe burns may result. Due to high surface temperatures keep children, clothing and furniture, gasoline and other liquids having flammable vapors away. Keep burner and control compartment clean. See installation and operating instructions accompanying appliance.**

**ATTENTION : Surfaces chaudes lorsque l'appareil est en marche. Ne pas toucher. Risque de brûlures graves. En raison des températures élevées, les enfants, les vêtements et le mobilier, le carburant et tout autre liquide aux vapeurs inflammables doivent être tenus éloignés de l'appareil. Nettoyer régulièrement le brûleur et le compartiment des commandes. Voir les consignes d'installation et d'utilisation fournies avec l'appareil.**

### LIGHTING INSTRUCTIONS / CONSIGNES D'ALLUMAGE

- 1) Ensure the Main switch is in the ON position and/or the wall mounted battery holder (if equipped) is in the <REMOTE> position.
- 2) Press and release the ON/OFF button on the remote handheld transmitter. An audible beep should be heard from the receiver. If not using the remote, the unit can also be turned on by sliding the battery holder switch to the <ON> position (if equipped).
- 3) After approximately 15 seconds the spark ignition system will spark for 60 seconds to light the main burner.
- 4) The unit will turn on.  
Note: The first attempt to ignition will last approximately 60 seconds. If there is no flame ignition (rectification) the board will stop sparking for approximately 35 seconds. After this wait time, the board will start a second try for ignition by sparking for approximately 60 seconds. If there is still no positive ignition after the second attempt the board will go into lock out.  
The system will need to be reset as follows (after going into lock out mode):
  - a) Wait 5 minutes - turn the system off by pressing the ON/OFF button on the remote.
  - b) After approximately 2 seconds press the ON/OFF button again.
  - c) Unit will repeat step 2.
- 1) S'assurer que le commutateur principal est en position ON et/ou que le bloc-piles mural (le cas échéant) est en position <REMOTE>.
- 2) Appuyer sur la touche ON/OFF de la télécommande puis relâcher. Un bip sonore retentira depuis le récepteur. Si vous n'utilisez pas la télécommande, l'appareil peut également être allumé en faisant glisser le commutateur du bloc-piles sur la position <ON> (le cas échéant).
- 3) Après environ 15 secondes, le système d'allumage produira une étincelle pendant 60 secondes pour allumer le brûleur principal.
- 4) L'appareil s'allumera.  
Remarque : Au premier allumage, le système tente d'allumer les flammes pendant 60 secondes. Si l'essai est infructueux, le système fera une pause de 35 secondes. C'est ce qu'on appelle l'étape de rectification. Ce délai écoulé, le système tente à nouveau d'allumer les flammes en produisant des étincelles pendant 60 secondes. Si les flammes ne s'allument toujours pas, le système se met en mode verrouillage.  
Il faut alors le réinitialiser en suivant les étapes ci-dessous (pour le déverrouiller) :
  - a) Attendre 5 minutes et éteindre l'appareil en appuyant sur la touche ON/OFF de la télécommande.
  - b) Attendre 2 secondes et appuyer encore une fois sur la touche ON/OFF.
  - c) L'appareil répètera l'étape 2.

### TO TURN OFF GAS APPLIANCE / POUR ÉTEINDRE UN APPAREIL AU GAZ

- 1) Press the ON/OFF button on the remote.
- 2) If service is to be performed—you must disconnect power and shut off gas to the unit.
- 1) Appuyer sur la touche ON/OFF de la télécommande.
- 2) Lors de l'entretien de l'appareil, vous devez débrancher l'alimentation électrique et couper le gaz alimentant l'appareil.

**DO NOT REMOVE THIS INSTRUCTION PLATE**

**NE PAS ENLEVER CETTE ÉTIQUETTE D'INSTRUCTIONS**

**Proflame II Remote Control Operating Instructions**

**IMPORTANT:**The Proflame Transmitter 2 is an integrated part of the Proflame 2 System, which consists of these elements:

- Proflame 2 Transmitter, to be used in conjunction with:
- Integrated Fireplaces Control (Proflame 2 IFC)

The Proflame 2 Transmitter provides for controlling the following hearth appliance functions:

1. Main Burner On/Off
2. Main Burner flame modulation (6 levels)
3. Choice of standing or intermittent pilot (CPI/IPI)
4. Thermostat and Smart thermostat functions
5. Accent light modulation (6 levels)\*\*
6. Split flow valve\*\*
7. Comfort Fan speed modulation (6 levels)\*\*

\*\* This feature is not available on all models.

The Proflame Transmitter uses a streamline design with a simple button layout and informative LCD display (Fig. 1). A Mode Key is provided to index between the features and a Thermostat Key is used to turn on/off or index through Thermostat functions (Fig. 1 & 2). Additionally, a Key Lock feature is provided (Fig. 22).

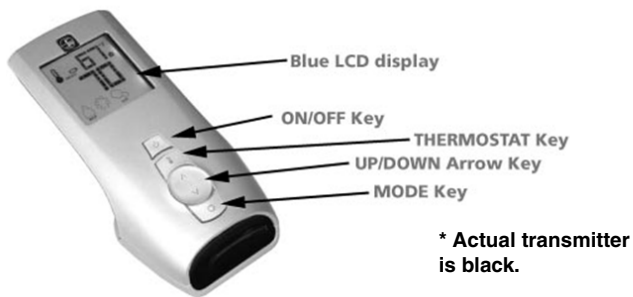


Figure 1: Proflame Transmitter

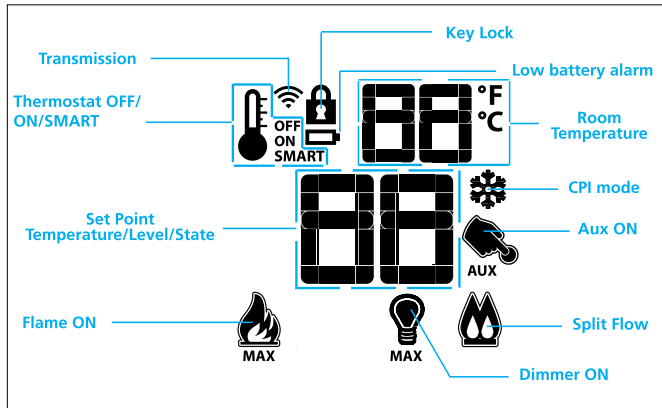


Figure 2: Transmitter LCD Display

TECHNICAL DATA REMOTE CONTROL	
Supply Voltage	4.5V (three 1.5V AAA batteries)
Ambient temperature ratings	0 - 50°C (32 - 122°F)
Radio Frequency	315 MHz

**WARNING: THE TRANSMITTER AND RECEIVER ARE RADIO FREQUENCY DEVICES. PLACING THE RECEIVER IN OR NEAR METAL MAY SEVERELY REDUCE THE SIGNAL RANGE.**

**ATTENTION!**

- Turn "OFF" the main gas supply of the appliance during installation or maintenance of the Receiver device.
- Turn "OFF" main gas supply to the appliance prior to removing or reinserting the batteries.
- In case of remote control malfunction, turn off the IFC device using the "ON/OFF" main switch.
- For installation / maintenance, switch off the IFC device removing main power supply plug.

**OPERATING PROCEDURE**

**Initializing the System for the first time**

Power the receiver. Activate the procedure of the receiver address programming, see the receiver instruction (\*). The Receiver will "beep" three (3) times to indicate that it is ready to synchronize with a Transmitter. Install the 3 AAA type batteries in the Transmitter battery bay, located on the base of the Transmitter. (fig. 3) With the batteries already installed in the Transmitter, push the On button. The Receiver will "beep" four times to indicate the Transmitter's command is accepted and sets to the particular code of that Transmitter. The system is now initialized.

(\* ) The receiver may be independent or integral to the IFC hearth appliance control module. The receiver instruction may not be independent when part of the IFC.



Figure 3: Battery Compartment

### Temperature indication Display

With the system in the "OFF" position, press the Thermostat Key and the Mode Key at the same time. Look at the LCD screen on the transmitter to verify that a C or F is visible to the right of the room temperature display (Figures 4 & 5).

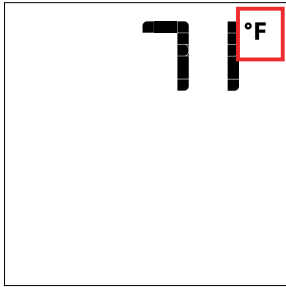


Figure 4: Remote Control display in Fahrenheit.

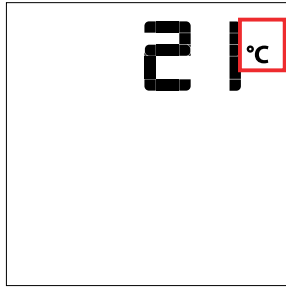


Figure 5: Remote Control display in Celsius.

### Turn on the Appliance

With the system OFF, press the ON/OFF Key on the Transmitter. The Transmitter display will show some other active icons on the screen. At the same time the Receiver will activate the appliance. A single "beep" from the Receiver will confirm reception of the command.

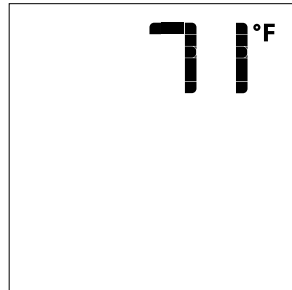


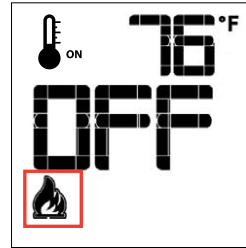
Figure 6: Remote Control display

### Turn off the Appliance

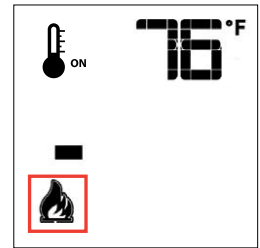
With the system ON, press the ON/OFF Key on the Transmitter. The Transmitter LCD display will only show the room temperature (Fig. 6). At the same time the Receiver will turn off the appliance. A single "beep" from the Receiver confirms reception of the command.

### Remote-Flame Control

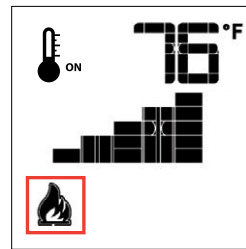
The Proflame has six (6) flame levels. With the system on, and the flame level at the maximum in the appliance, pressing the Down Arrow Key once will reduce the flame height by one step until the flame is turned off. The Up Arrow Key will increase the flame height each time it is pressed. If the Up Arrow Key is pressed while the system is on but the flame is off, the flame will come on in the high position. ( Fig. 7 & 8 ) A single "beep" will confirm reception of the command.



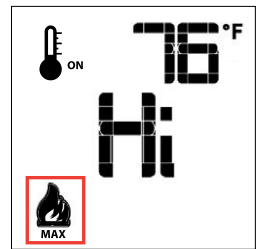
Flame Off



Flame Level 1



Flame level 5



Flame Level Maximum

Fig. 7

Fig. 8

### Room Thermostat (Transmitter Operation)

The Remote Control can operate as a room thermostat. The thermostat can be set to a desired temperature to control the comfort level in a room. To activate this function, press the Thermostat Key (Fig. 1). The Lcd display on the Transmitter will change to show that the room thermostat is "ON" and the set temperature is now displayed (Fig. 9). To adjust the set temperature, press the Up or Down Arrow Keys until the desired set temperature is displayed on the LCD screen of the Transmitter.

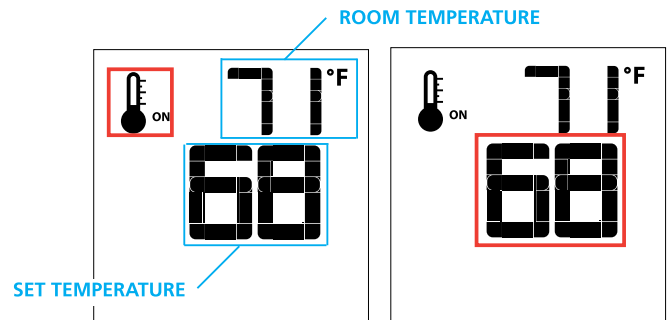


Figure 9

Figure 10

### Smart Thermostat (Transmitter Operation)

The Smart Thermostat function adjusts the flame height in accordance to the difference between the set point temperature and the actual room temperatures. As the room temperature gets closer to the set point the Smart Function will modulate the flame down.

To activate this function, press the Thermostat Key (Fig. 1) until the word "SMART" appears to the right of the temperature bulb graphic (Fig. 11). To adjust the set temperature, press the Up or Down Arrow Keys until the desired set temperature is displayed on the LCD screen of the Transmitter (Fig. 12).

Note: When Smart Thermostat is activated, manual flame height adjustment is disabled.

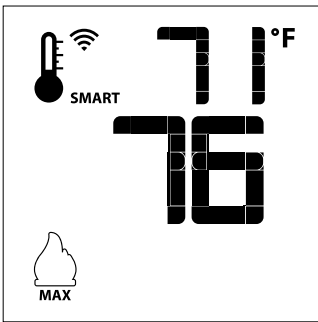


Figure 11: Smart Flame Function

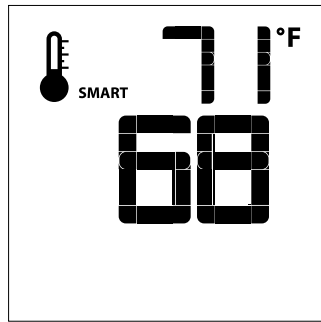


Figure 12

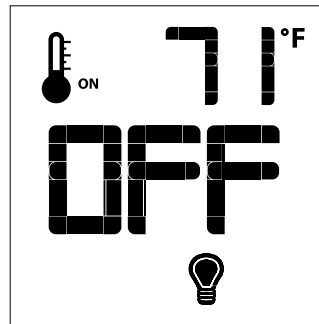


Figure 15

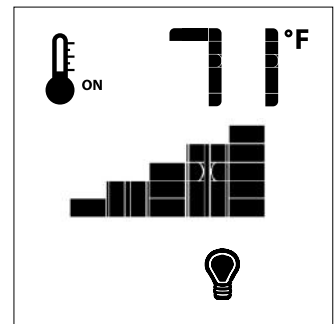


Figure 16

### Remote dimmer control (Light)\*\*

The auxiliary function controls the AUX power outlet by the dimmable light control. To activate this function use the Mode Key (fig. 1) to index to the AUX icon (fig. 15 & 16).

The intensity of the output can be adjusted through six (6) levels. Use the Up/Down Arrow Keys (fig.1) adjust the output level (fig. 16). A single "beep" will confirm reception of the command.

**Note:** This function is available only with the IFC Control Module.

### Fan Speed Control\*\*

If the appliance is equipped with a hot air circulating fan, the speed of the fan can be controlled by the Proflame system. The fan speed can be adjusted through six (6) speeds. To activate this function use the Mode Key (fig.1) to index to the fan control icon (Fig. 13). Use the Up/Down Arrow Keys (fig.1) to turn on, off or adjust the fan speed (fig. 14). A single "beep" will confirm reception of the command.



Figure 13

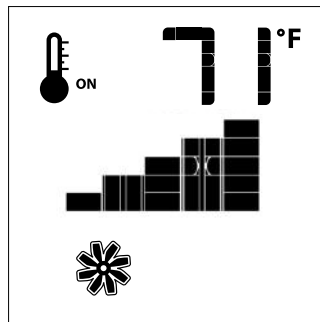


Figure 14

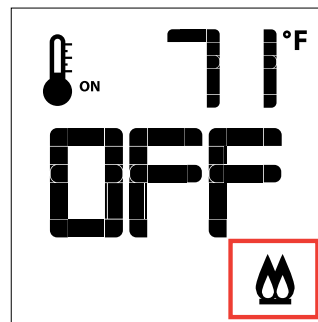


Figure 17

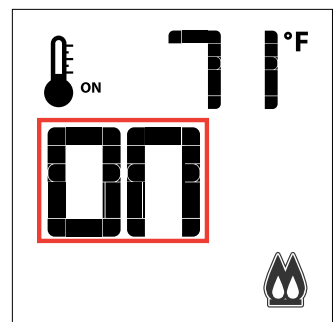


Figure 18

### Split Flow control\*\*

The secondary burner is controlled by the split Flow. To activate this function use the Mode Key (fig. 1) to index to the SPLIT FLOW mode icon (fig. 17 & 18).

Pressing the Up Arrow Key will activate the secondary burner. Pressing the Down Arrow Key will turn the secondary burner off. A single "beep" will confirm the reception of the command.

## Continuous Pilot/Intermittent Pilot (CPI/IPI) selection

**Note: Power vent models do not have a Continuous Pilot option.**

With the system in "OFF" position press the Mode Key (fig. 1) to index to the CPI mode icon (fig. 19 & 20). Pressing the Up Arrow Key will activate the Continuous Pilot Ignition mode (CPI). Pressing the Down Arrow Key will return to IPI. A single "beep" will confirm the reception of the command.

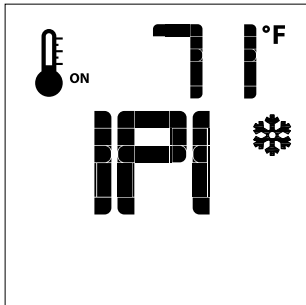


Figure 19

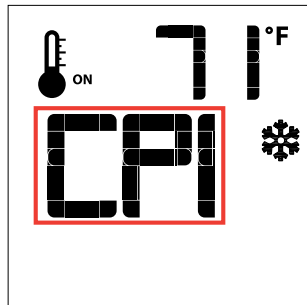


Figure 20

## CPI/IPI SWITCH

This appliance comes equipped with a CPI/IPI switch. The functions of both the CPI/IPI switch are as follows:

**Continuous pilot (CPI)** - A pilot that when in operation, is intended to remain continuously ignited until it is manually interrupted.

**Intermittent pilot (IPI)** - A pilot that is automatically ignited when an appliance is called on to operate and which remains continuously ignited during each period of main burner operation. The pilot is automatically extinguished when each main burner operating cycle is completed. The mode of the fireplace is easily changed from an intermittent pilot ignition system (IPI) to a continuous pilot ignition system (CPI) by using remote control as noted above.

The benefits of having as CPI are as follows:

- Keeps venting primed for trouble free start-up under colder weather conditions or inversions.
  - Keeps the unit glass warm, which decreases the amount of condensation on start-up
  - Provides owners with flexibility to choose a traditional continuous pilot.
- The primary benefit of having the IPI function is a significant savings on fuel as the pilot will only run when there is a call for heat.

**Thermostat Icon:** If the thermostat icon is not present on the remote transmitter, follow instructions noted below:

1. Remove one battery from the remote.
2. Press and hold down the Thermostat button on the remote.
3. Reinstall the battery (removed in Step 1) while still holding down thermostat button.
4. If you see "**Set**" the thermostat option is now enabled. If you see "**Clr**" the thermostat option is now disabled.
5. Repeat the procedure if the "**Set**" or "**Clr**" to remove or add the option back to the remote did not appear.

Enable all other functions if not present on the remote transmitter, follow instructions noted below:

1. Remove one battery from remote.
2. Press and hold both the **ON/OFF** and **MODE** button at the same time .
3. Reinstall battery removed in Step 1 while holding both buttons—keep holding buttons, then release the **MODE** button only.
4. The screen will show either "**Clr**" or "**Set**" as the first option available is to disable or enable a mode.

5. "**Clr**" will remove a mode—use the up or down arrow while holding down **ON/OFF** and **MODE** (mode icon will disappear once removed).
6. Use the "**MODE**" button to move to the next function.
7. "**Set**" will add a mode —use the up or down arrow while holding down **ON/OFF** and **MODE** (mode icon will appear when added).
8. Use the "**MODE**" button to move to the next function.

**Note:** You should never program out the fan (if installed) or CPI/IPI mode on the remote.

## KEY LOCK

This function will lock the keys to avoid unsupervised operation.

To activate this function, press the MODE and UP Keys at the same time (fig. 21).

To de-activate this function, press the MODE and UP Keys at the same time.

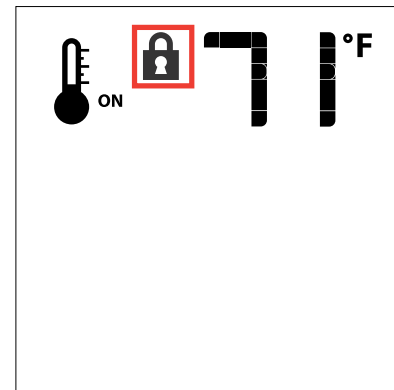


Figure 21

## LOW BATTERY POWER DETECTION

### Transmitter

The life span of the remote control batteries depends on various factors: quality of the batteries used, the number of ignitions of the appliance, the number of changes to the room thermostat set point, etc.

When the Transmitter batteries are low, a Battery Icon will appear on the LCD display of the Transmitter (Fig. 22) before all battery power is lost. When the batteries are replaced this Icon will disappear.

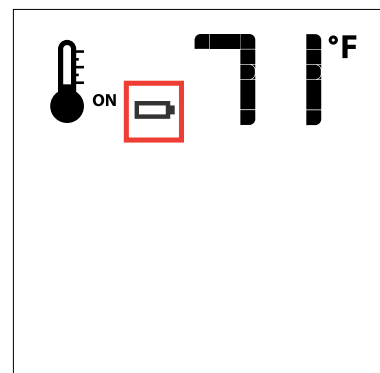


Figure 22



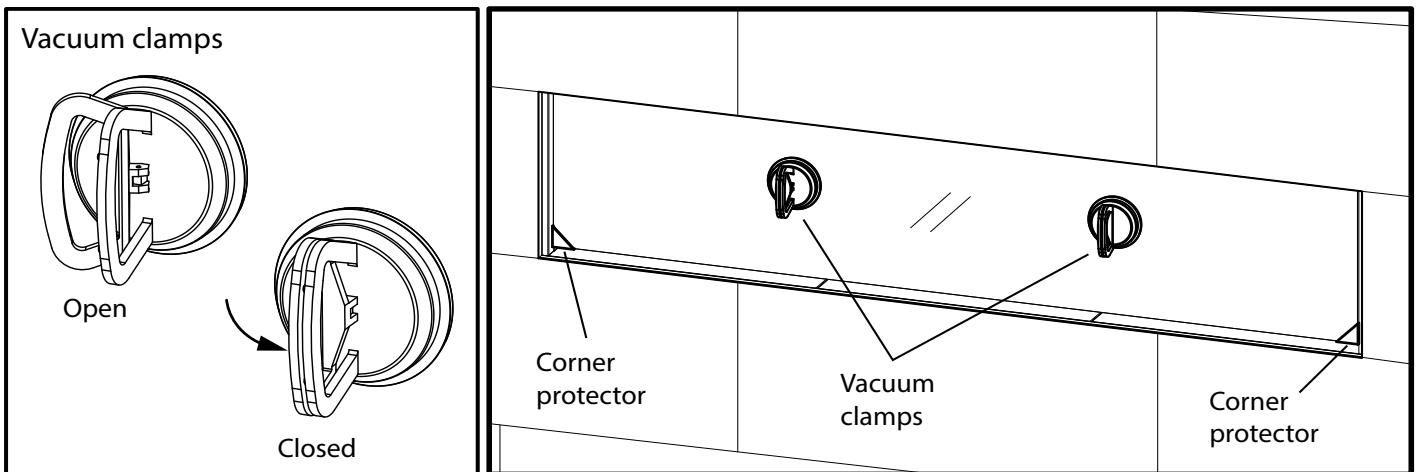
## Front & Side Glass Barrier Removal

**Note:** Only the front glass barrier is shown in diagrams - follow same procedure for side glass barrier removal.

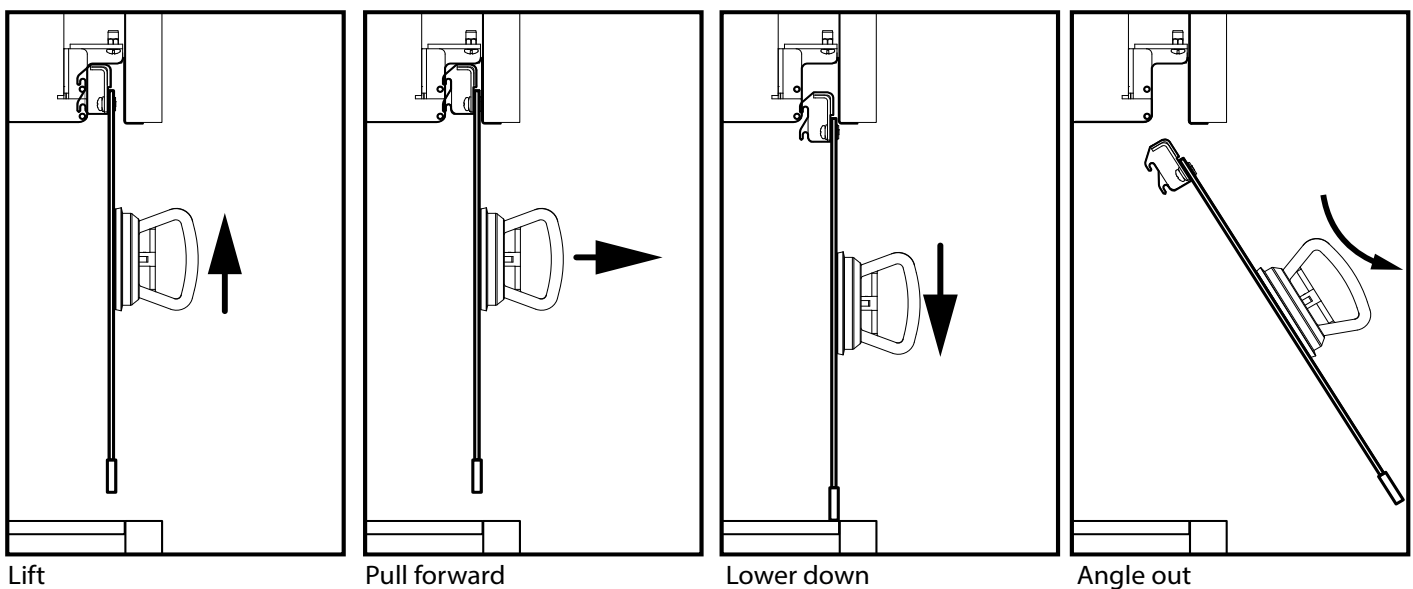


[Glass barrier removal video](#)

1. Prepare a soft, scratch resistant surface to place the 70-3/8" x 15-1/4" glass (i.e. large sheet or clean drop cloth).
2. Attach the vacuum clamps to the glass as shown. Press the vacuum clamps against the glass, then close the clamps while maintaining pressure on the glass.
3. Slide the corner protectors onto the bottom corners of the glass. If you don't have these, place a soft cloth or piece of cardboard under the glass barrier to protect the corners during removal.



4. Using the vacuum clamps, lift the barrier straight up, pull it toward you, then gently lower it straight down (see below).

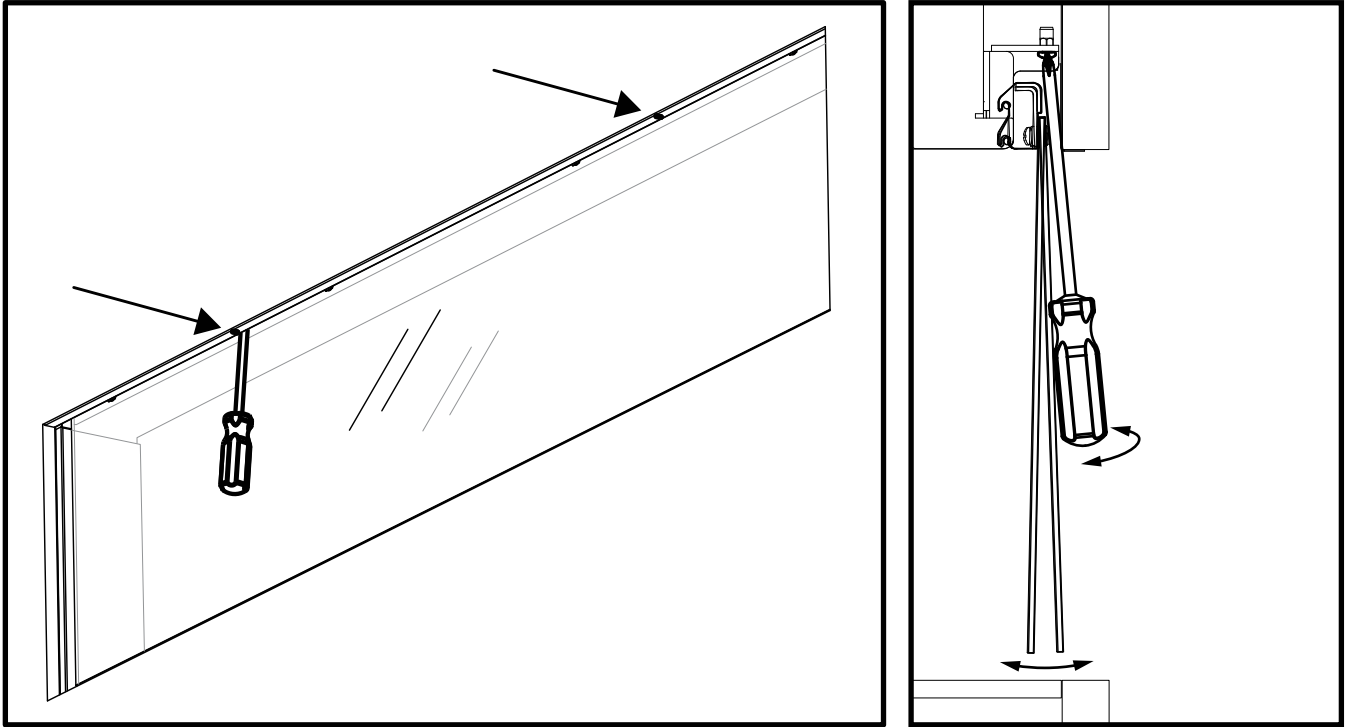


5. Angle the bottom edge toward you and carefully lift the glass barrier out, placing it on your prepared soft, scratch resistant surface (i.e. drop cloth).
6. To reinstall, reverse steps.

# owner's information

## Glass Barrier Adjustment

If glass isn't hanging straight, use a phillips screwdriver to adjust the angle.  
Clockwise = angles barrier out toward you  
Counter clockwise = angles barrier in towards the unit.



Slide the screwdriver straight up at the two indicator slots.

**Inner Glass Panel (Firebox Glass) Installation / Removal**

**Note:** glass panels must be installed to operate fireplace

**WARNING: GLASS HANDLING**

We recommend using the glass vacuum holders supplied by the manufacturer. Lower the glass to rest in a safe place, this is to prevent damage to the glass edges. Extra care must be taken when removing/installing the glass. Breakage or damage to the edge of the glass which occurs as a result of careless handling will not be covered under warranty.

- We recommend handling the glass with supplied vacuum clamps
- When removing glass—prepare a soft, scratch resistant surface to place the 70-3/8" x 15-1/4" glass
- Never clean or remove hot glass

**Note:** The suction cups may leave a round film on the glass when used. Ensure that the glass is cleaned using a fireplace glass cleaner after each removal and prior to operating the appliance.

1. Remove outer safety barrier glass panels if previously installed—see instructions in this manual.
2. Remove outer panels installed in unit - see panel removal section in this manual.

Press glass vacuum clamps in open position firmly onto surface of glass. Bring handles together to close.



Open



Closed



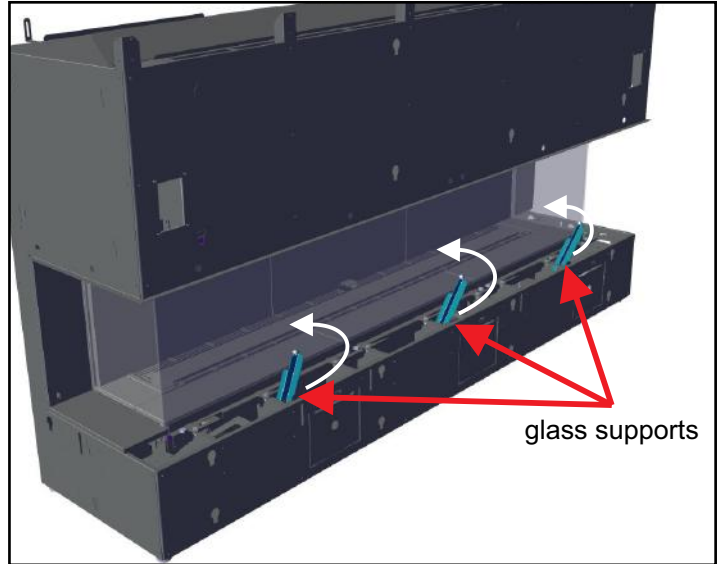
Handle glass with supplied vacuum clamps



[Glass removal video](#)

**Note--the following installation diagrams do not include the vacuum clamps but it is strongly recommended to use clamps at all times when handling the firebox glass.**

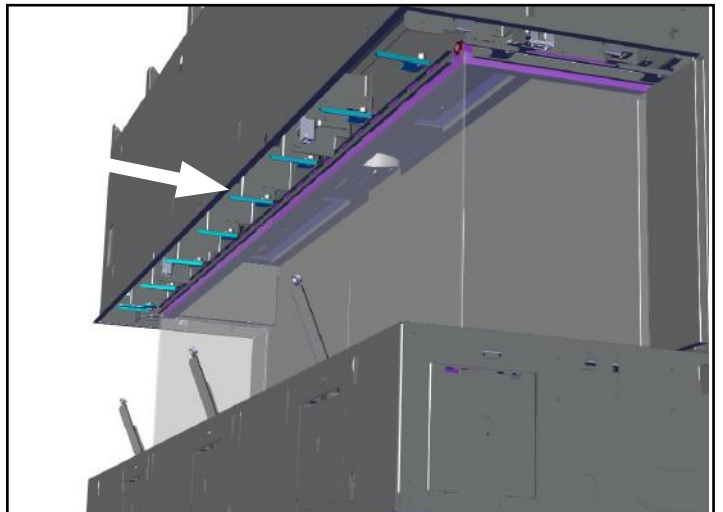
3. From the front inside lower panel of the unit--pivot the 3 glass supports into upright position as shown below.



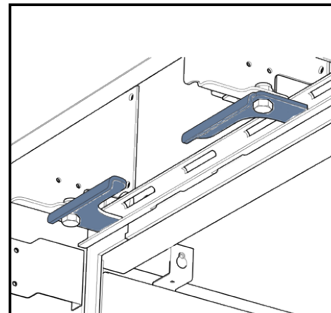
glass supports

Glass supports in upright position

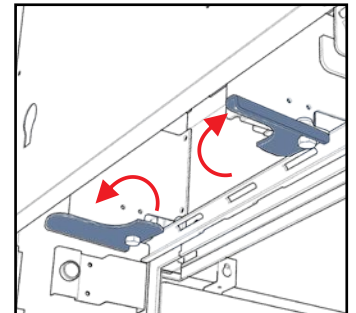
4. Open the 8 clamps at the top of the glass.



Top clamps in open position



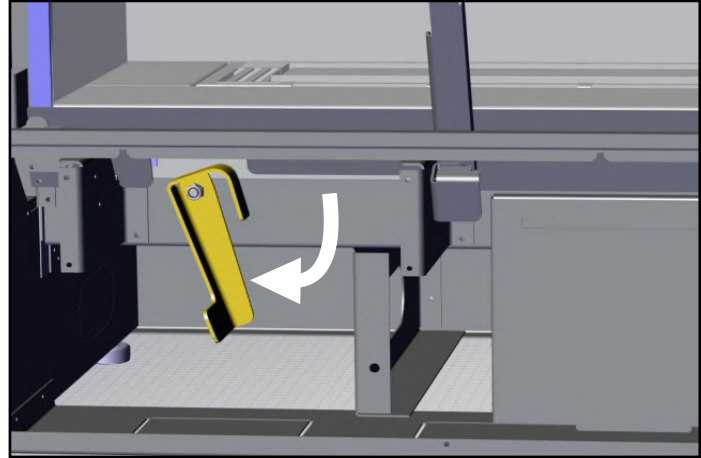
Clamps in closed position



Clamps in open position

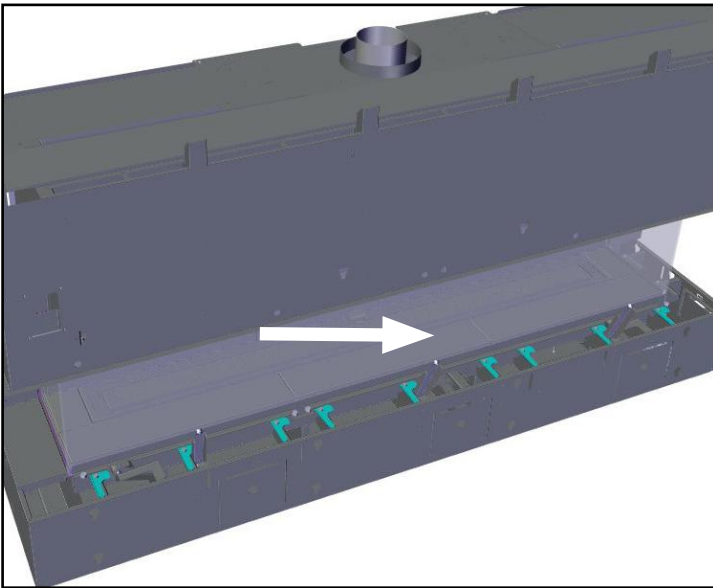
# owner's information

5. Pull the 3 lower glass gasket pads forward to release the glass.



Push down on levers to lower glass panel

6. Support the glass with one hand and open the 9 lower clamps.



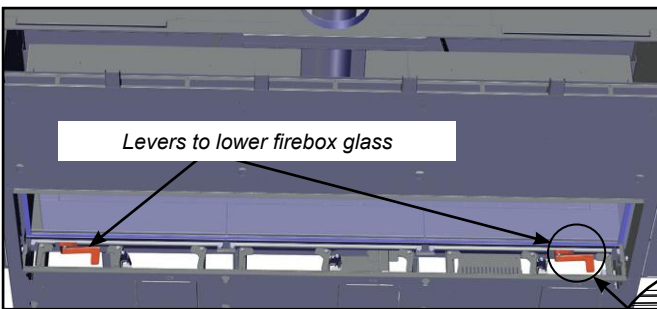
Lower clamps (x9) in open position



Glass panel--leaning on supports

**NOTE:** The firebox glass may remain propped on the glass supports to clean the interior surface. Use care when cleaning -- do not apply excessive force or pressure.

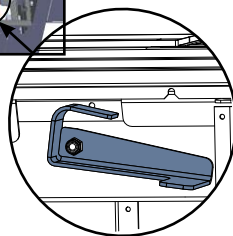
7. Locate the 2 levers below the glass and turn them both 90° in a clockwise direction to lower the firebox glass panel.



9. **To remove the firebox glass panel from the unit:** tilt the glass forward gently onto the glass supports, grip both suction clamps and lift the glass up and out of the unit.

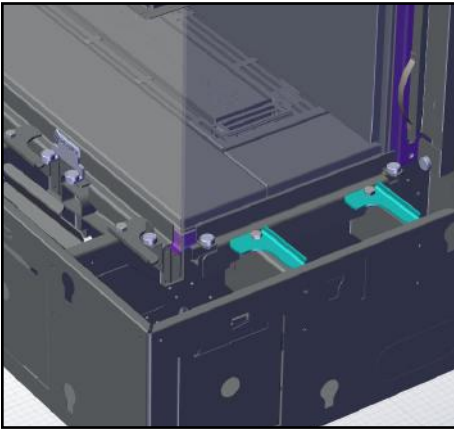
10. To install glass--reverse steps.

**IMPORTANT:** Remove glass panel completely when installing or removing panels, logs, media, etc. to avoid causing any damage to the glass.



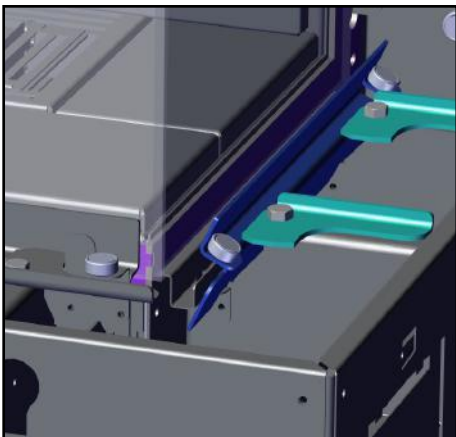
## Inner Glass Panel (Firebox Glass) Installation / Removal - Side Glass

1. Open 2x lower clamps by turning 90°.

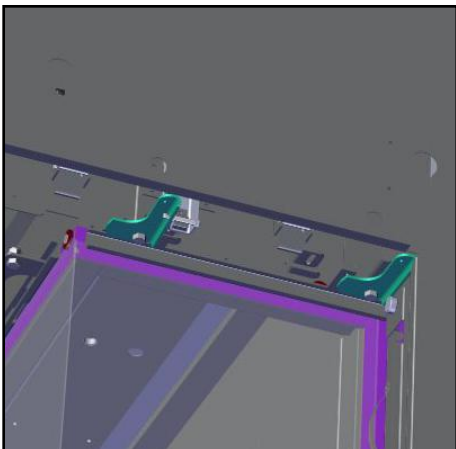


2. Pull glass gasket pad forward to release glass.

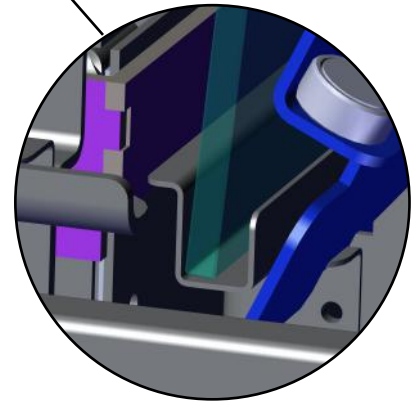
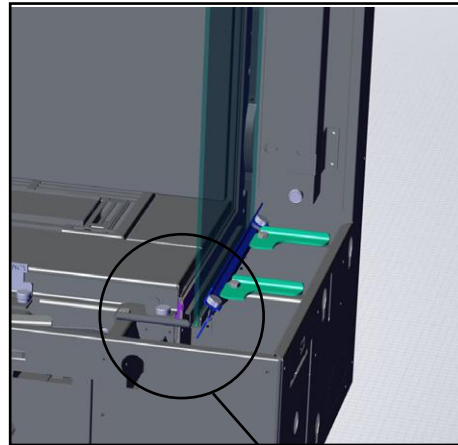
**Note:** if gasket pad won't open--check that all clamps are turned a full 90°.



3. Open 2x top clamps by turning 90°.

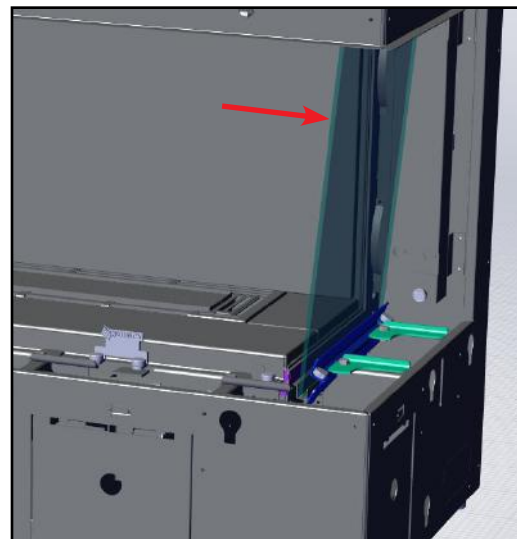


4. Gently move bottom of side glass panel into the support channel as shown in diagram below.



5. Tilt top of glass side panel outward to create clearance.

6. Remove panel.



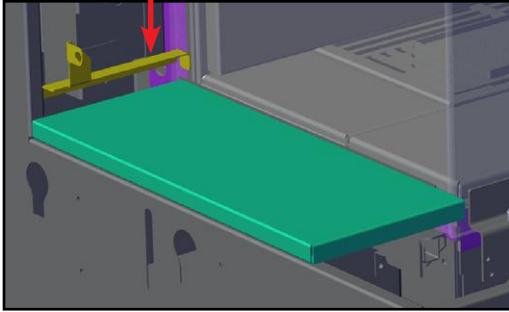
7. Repeat steps to remove side glass panel on the opposite side.

8. Reverse steps to re-install side glass panels.

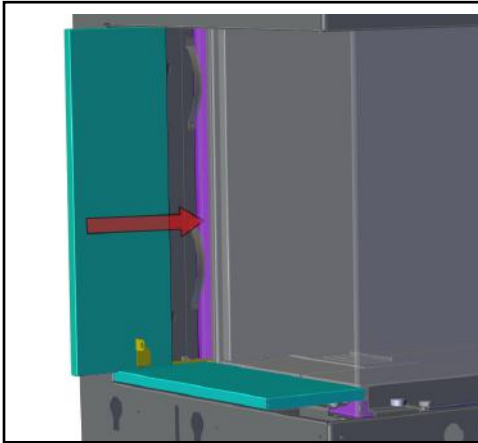
## Optional Front Barrier Glass Stoppers Installation / Removal

There are 4 optional stoppers (2 side/2 front) included in the manual pack which provide additional support to the glass barrier, if desired--install the stoppers prior to installation of the barrier glass.

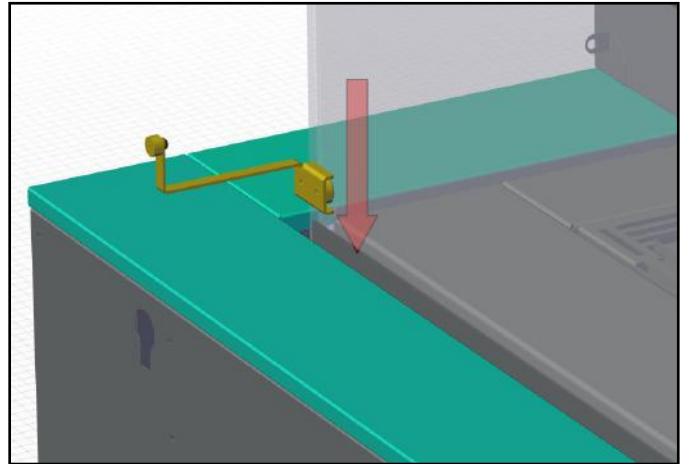
1. Install glass stopper (if desired) by sliding down the outside of the outer side panel.



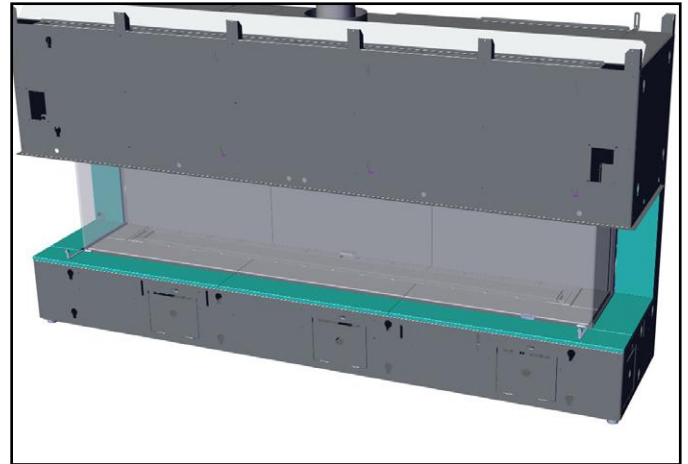
2. Slide backwall outer panel behind glass stopper bracket (if installed).



3. Install glass stopper (if desired) by sliding stopper assembly between unit and panel - the stopper assembly will attach to the unit via a magnet, adjust position of glass stopper is required.



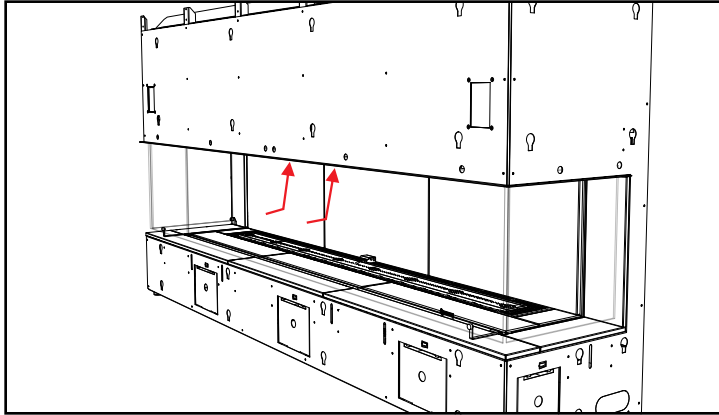
4. Repeat steps 1-6 to install outer panels on opposite side.



5. Install barrier glass as per instructions in this manual.

## Bulb Replacement

1. Turn off power and gas to unit and allow to cool to room temperature.
2. Remove outer safety glass panels and inner panels (firebox glass)—see instructions in this manual.

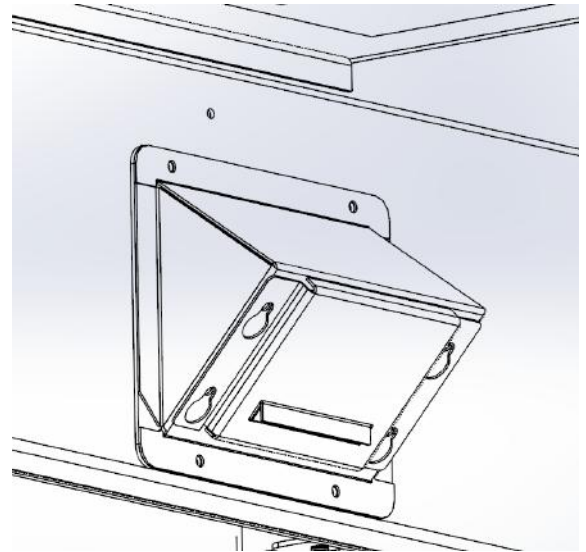


Light are located behind the front face of the unit

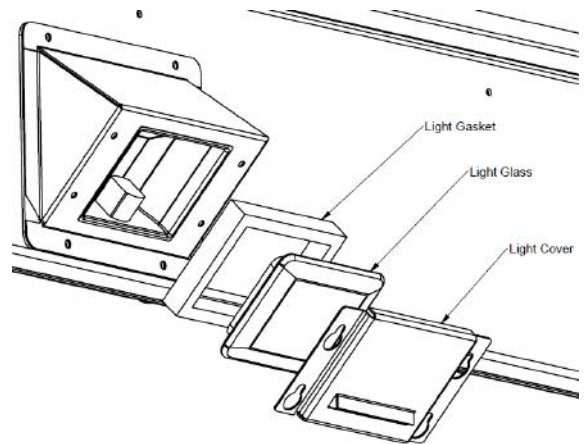
3. Loosen 2 screws on each side of individual inner light cover and remove.
4. Replace bulb and reverse steps to complete procedure.

**NOTE:** Do not handle bulb with bare hands. Use packaging or a tissue to hold new bulb when replacing.

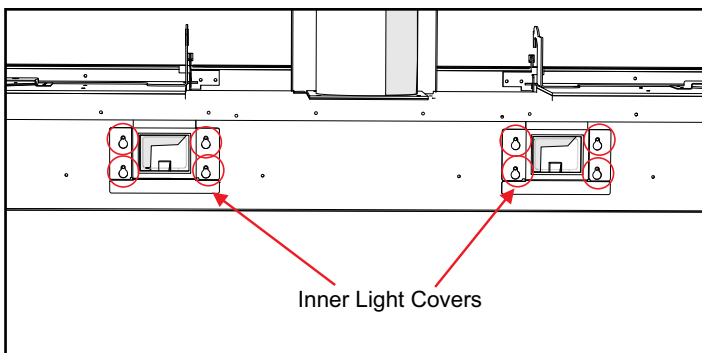
Regency Part# 911-208 Oven Lamp Assembly G9 120V/25W  
 Regency Part# 911-072 Replacement Bulb G9 120 Volt/25 watt



Inner light covers close up



Inner light cover reassembly order



Inner light covers shown from back of unit (back made transparent)

# owner's information

## Maintenance Instructions

1. Always turn off the gas valve before cleaning. For relighting, refer to lighting instructions. Keep the burner and control compartment clean by brushing and vacuuming at least once a year. When cleaning the logs, use a soft clean paint brush as the logs are fragile and easily damaged.
2. Clean appliance and door with a damp cloth (never when unit is hot). Never use an abrasive cleaner. The glass should be cleaned with a gas fireplace glass cleaner. **The glass should be cleaned when it starts looking cloudy.**
3. The fireplace is finished in a heat resistant paint and should only be refinished with heat resistant paint. Regency® uses StoveBright Paint - Metallic Black #6309.
4. Make a periodic check of burner for proper position and condition. Visually check the flame of the burner periodically, making sure the flames are steady; not lifting or floating. If there is a problem, call a qualified service person.
5. The appliance and venting system must be inspected before use, and at least annually, by a qualified field service person, to ensure that the flow of combustion and ventilation air is not obstructed.

**Note: Never operate the appliance without the glass properly secured in place.**

6. Do not use this appliance if any part has been under water. Immediately call a qualified service technician to inspect the appliance and to replace any part of the control system and any gas control which has been under water.
7. In the event this appliance has been serviced check that the vent-air system has been properly resealed & reinstalled in accordance with the manufacturer's instructions.
8. Verify operation after servicing.

## General Vent Maintenance

Conduct an inspection of the venting system semi-annually. Recommended areas to inspect as follows:

1. Check the Venting System for corrosion in areas that are exposed to the elements. These will appear as rust spots or streaks, and in extreme cases, holes. These components should be replaced immediately.
2. Remove the Cap, and shine a flashlight down the Vent. Remove any bird nests, or other foreign material.

3. Check for evidences of excessive condensation, such as water droplets forming in the inner liner, and subsequently dripping out the joints. Continuous condensation can cause corrosion of caps, pipe, and fittings. It may be caused by having excessive lateral runs, too many elbows, and exterior portions of the system being exposed to cold weather.
4. Inspect joints, to verify that no pipe sections or fittings have been disturbed, and consequently loosened. Also check mechanical supports such as Wall Straps, or plumbers' tape for rigidity.

## Log Replacement

The unit should never be used with broken logs. Turn off the gas valve and allow the unit to cool before opening door and carefully remove the logs. (The pilot light generates enough heat to burn someone.) If for any reason a log should need replacement, you must use the proper replacement log. The position of these logs must be as shown in the diagrams under Log Installation.

**Note: Improper positioning of logs may create carbon build-up and will severely alter the unit's performance which is not covered under warranty.**

## Glass

Your Regency® fireplace is supplied with high temperature 5mm-Tempered outer glass & 5mm-Ceramic inner glass. If your glass requires cleaning, we recommend using an approved glass cleaner available at all authorized dealers. Do not use abrasive materials or ammonia based cleaners.

## CAUTION & WARNINGS:

- \* Do not clean when the glass is hot.
- \* The use of substitute glass will void all product warranties.
- \* Care must be taken to avoid breakage of the glass.
- \* Do not strike or abuse the glass.
- \* Do not operate this fireplace without the glass front or with a cracked or broken glass front.
- \* Wear gloves and safety glasses when removing damaged or broken glass.
- \* Replacement of the glass panels should be done by a licensed or qualified service person.

**WARNING:** Do not operate appliance with the glass front removed, cracked, or broken. Replacement of the glass should be done by a licensed or qualified service person.

## Glass Replacement

In the event that you break your glass by impact, purchase your replacement from an authorized Regency dealer only. Replacement glass is shipped already installed into the door frame. Reinstall as per Glass Installation in the "Glass Installation" section.

## REPLACEMENT GLASS:

### CB72EPV

Outer Safety Glass Front - Tempered (Part# 940-500/P)  
Outer Safety Glass Right Side- Tempered (Part# 940-502/P)  
Outer Safety Glass Left Side- Tempered (Part# 940-503/P)

Inner Glass Front - Ceramic (Part# 940-499/P)  
Inner Glass Side - Ceramic (Part# 940-498/P)



**MA Code - CO Detector**  
**(for the State of Massachusetts only)**

**5.08: Modifications to NFPA-54, Chapter 10**

(2) Revise 10.8.3 by adding the following additional requirements:

(a) For all side wall horizontally vented gas fueled equipment installed in every dwelling, building or structure used in whole or in part for residential purposes, including those owned or operated by the Commonwealth and where the side wall exhaust vent termination is less than seven (7) feet above finished grade in the area of the venting, including but not limited to decks and porches, the following requirements shall be satisfied:

1. **INSTALLATION OF CARBON MONOXIDE DETECTORS.** At the time of installation of the side wall horizontal vented gas fueled equipment, the installing plumber or gasfitter shall observe that a hard wired carbon monoxide detector with an alarm and battery back-up is installed on the floor level where the gas equipment is to be installed. In addition, the installing plumber or gasfitter shall observe that a battery operated or hard wired carbon monoxide detector with an alarm is installed on each additional level of the dwelling, building or structure served by the side wall horizontal vented gas fueled equipment. It shall be the responsibility of the property owner to secure the services of qualified licensed professionals for the installation of hard wired carbon monoxide detectors

a. In the event that the side wall horizontally vented gas fueled equipment is installed in a crawl space or an attic, the hard wired carbon monoxide detector with alarm and battery back-up may be installed on the next adjacent floor level.

b. In the event that the requirements of this subdivision can not be met at the time of completion of installation, the owner shall have a period of thirty (30) days to comply with the above requirements; provided, however, that during said thirty (30) day period, a battery operated carbon monoxide detector with an alarm shall be installed.

2. **APPROVED CARBON MONOXIDE DETECTORS.** Each carbon monoxide detector as required in accordance with the above provisions shall comply with NFPA 720 and be ANSI/UL 2034 listed and IAS certified.

3. **SIGNAGE.** A metal or plastic identification plate shall be permanently mounted to the exterior of the building at a minimum height of eight (8) feet above grade directly in line with the exhaust vent terminal for the horizontally vented gas fueled heating appliance or equipment. The sign shall read, in print size no less than one-half (1/2) inch in size, "**GAS VENT DIRECTLY BELOW. KEEP CLEAR OF ALL OBSTRUCTIONS**".

4. **INSPECTION.** The state or local gas inspector of the side wall horizontally vented gas fueled equipment shall not approve the installation unless, upon inspection, the inspector observes carbon monoxide detectors and signage installed in accordance with the provisions of 248 CMR 5.08(2)(a)1 through 4.

(b) **EXEMPTIONS:** The following equipment is exempt from 248 CMR 5.08(2)(a)1 through 4:

1. The equipment listed in Chapter 10 entitled "Equipment Not Required To Be Vented" in the most current edition of NFPA 54 as adopted by the Board; and

2. Product Approved side wall horizontally vented gas fueled equipment installed in a room or structure separate from the dwelling, building or structure used in whole or in part for residential purposes.

(c) **MANUFACTURER REQUIREMENTS - GAS EQUIPMENT VENTING SYSTEM PROVIDED.** When the manufacturer of Product Approved side wall horizontally vented gas equipment provides a venting system design or venting system components with the equipment, the instructions provided by the manufacturer for installation of the equipment and the venting system shall include:

1. Detailed instructions for the installation of the venting system design or the venting system components; and

2. A complete parts list for the venting system design or venting system.

(d) **MANUFACTURER REQUIREMENTS - GAS EQUIPMENT VENTING SYSTEM NOT PROVIDED.** When the manufacturer of a Product Approved side wall horizontally vented gas fueled equipment does not provide the parts for venting the flue gases, but identifies "special venting systems", the following requirements shall be satisfied by the manufacturer:

1. The referenced "special venting system" instructions shall be included with the appliance or equipment installation instructions; and

2. The "special venting systems" shall be Product Approved by the Board, and the instructions for that system shall include a parts list and detailed installation instructions.

(e) A copy of all installation instructions for all Product Approved side wall horizontally vented gas fueled equipment, all venting instructions, all parts lists for venting instructions, and/or all venting design instructions shall remain with the appliance or equipment at the completion of the installation.

# installer's information

## General Safety Information

1. The appliance installation must conform with local codes or, in the absence of local codes, with the current Canadian or National Gas Codes, CAN1-B149 or ANSI Z223.1 Installation Codes.
2. See general construction and assembly instructions. The appliance and vent should be enclosed.
3. This appliance must be connected to the specified vent and termination cap to the outside of the building envelope. Never vent to another room or inside a building. Make sure that the vent is fitted as per Venting instructions.
4. Inspect the venting system annually for blockage and any signs of deterioration.
5. Venting terminals shall not be recessed into a wall or siding.
6. Any safety glass removed for servicing must be replaced prior to operating the appliance.
7. To prevent injury, do not allow anyone who is unfamiliar with the operation to use the fireplace.
8. Wear gloves and safety glasses for protection while doing required maintenance.
9. Be aware of electrical wiring locations in walls and ceilings when cutting holes for termination.
10. Under no circumstances should this appliance be modified. Parts that have to be removed for servicing should be replaced prior to operating this appliance.
11. Installation and any repairs to this appliance should be done by a qualified service person. A professional service person should be called to inspect this appliance annually. Make it a practice to have all of your gas appliances checked annually.
12. Do not slam shut or strike the glass door.
13. Under no circumstances should any solid fuels (wood, paper, cardboard, coal, etc.) be used in this appliance.
14. The appliance area must be kept clear and free of combustible materials, (gases and other flammable vapours and liquids).

## Installation Checklist

1. Locate appliance. Refer to the following sections:
  - a) Locating Your Fireplace
  - b) Clearances
  - c) Combustible Mantel Clearances
  - d) Framing & Finishing
  - e) Venting. See the "Venting Introduction" to "Venting Arrangements" sections.
2. Assemble Standoffs. Refer to the "Unit Assembly Prior to Installation" section. (NOTE: must be done before installing unit into fireplace.)
3. Install vent. See the "Horizontal Installations" to "Installation Procedures" sections.
4. Install 4 AA batteries into receiver battery box. Hook receiver to wiring marked receiver, this will enable operation of the appliance manually when position in "ON" position.

**Note:** The wire harness (marked receiver) is located near the gas valve and will need to be routed to the exterior of the fireplace from either the left or right hand side of the appliance prior finishing.
5. Bring 120 volt power to appliance and 120 volt from the power vent cap to the appliance.
6. Make gas connections. Test the pilot. Must be as per diagram. Refer to the "Gas Line Installation" & "Pilot Adjustment" sections.
7. Install standard and optional features. Refer to the following sections where applicable:
  - a. Barrier Safety Glass
  - b. Firebox (inner) glass
  - c. Log Set
  - d. Fireglass
  - e. Ceramic stones or other approved media
  - f. Painted, enamel, or glass panels (panels required)
  - g. Heatwave Kit
  - h. Power vent cap
8. Plug 3 prong plug for the lights into the receptacle. The 3 prong plug will be located near the gas valve on the appliance.
9. Final check.

Before leaving this unit with the customer, the installer must ensure that the appliance is firing correctly and operation fully explained to customer.

This includes:

1. Clocking the appliance to ensure the correct firing rate (rate noted on label 46,500 Btu/h NG/ 45,500 Btu/h LP) after burning appliance for 15 minutes.
2. If required, adjusting the primary air to ensure that the flame does not carbon. First allow the unit to burn for 15-20 min. to stabilize.

**CAUTION: Any alteration to the product that causes sooting or carboning that results in damage is not the responsibility of the manufacturer.**



## Heatwave Duct System Optional Kit

The **HeatWave** Air Duct Kit increases the effectiveness of your fireplace by dispersing warm air from the fireplace to remote locations in the same room or other rooms in your home.

Up to two kits may be installed on the fireplace.

The **HeatWave** Duct Kit has different clearance and framing requirements, check the **HeatWave** manual for details.



**WARNING: Cancer and Reproductive Harm**

[www.P65Warnings.ca.gov](http://www.P65Warnings.ca.gov)

919-874

### Locating Your Gas Fireplace - Bay Install

1. When selecting a location for your fireplace, ensure that the clearances are met.
2. The appliance must be installed on a flat, solid, continuous surface. For example a wood, metal or concrete floor or in a raised (on the wall) application. The appliance must be installed on a metal or wood panel extending the full width and depth of the appliance.
3. The CB72EPV Direct Vent Gas Fireplace can be installed framed out into the room as in D and E. See Diagram 1.

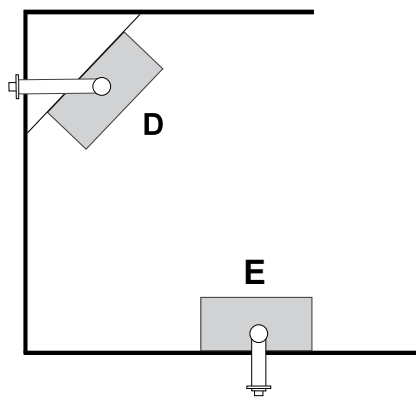


Diagram 1

- D) 3 sided-CB72EPV (corner install)
- E) 3 sided-CB72EPV

4. For bedroom installations, check with local codes before installation. This appliance is offered with a remote control.
5. The CB72EPV Direct Vent Gas Fireplace is approved for alcove installations, see "Clearances" section for details.
6. We recommend that you plan your installation on paper using exact measurements for clearances and floor protection before actually installing this appliance. Have an authorized inspector, dealer, or installer review your plans before installation.

**Note:** For vent terminations refer to "Exterior Vent Termination Locations" section.

### Locating Your Gas Fireplace - Corner Install

1. When selecting a location for your fireplace, ensure that the clearances are met.
2. The appliance must be installed on a flat, solid, continuous surface. For example a wood, metal or concrete floor or in a raised (on the wall) application. The appliance must be installed on a metal or wood panel extending the full width and depth of the appliance.
3. The CB72EPV Corner Conversion Gas Fireplace can be installed in a recessed position or framed out into the room as in A and B. See Diagram 1.

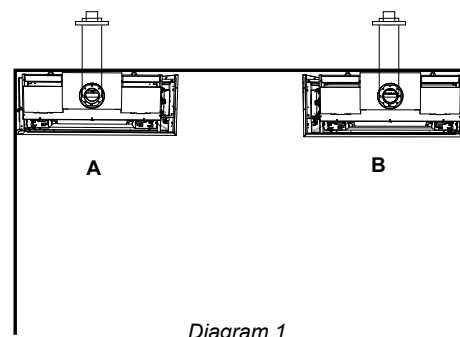


Diagram 1

- A) Corner Left
- B) Corner Right

4. For bedroom installations, check with local codes before installation. This appliance is offered with a remote control.
5. The CB72EPV Corner Conversion Gas Fireplace is approved for alcove installations, see "Clearances" section for details.
6. We recommend that you plan your installation on paper using exact measurements for clearances and floor protection before actually installing this appliance. Have an authorized inspector, dealer, or installer review your plans before installation.

**Note:** For vent terminations refer to "Exterior Vent Termination Locations" section.

# installation

## Unit Assembly Prior to Installation

### Before you Start

#### Removing the Unit from the Pallet

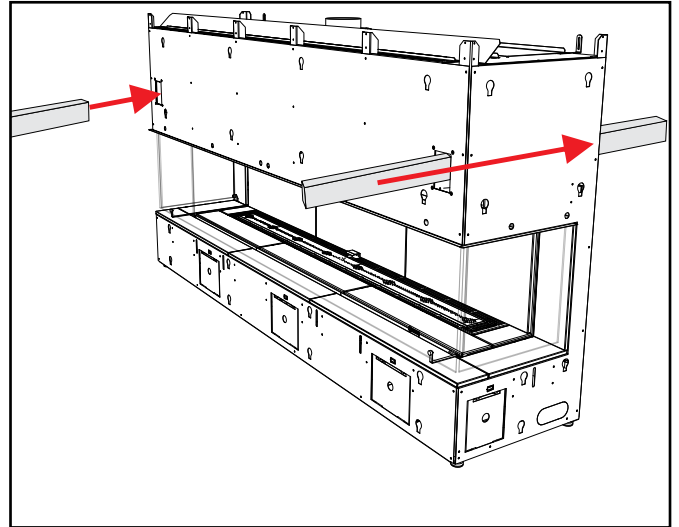
Remove the screws securing the unit to the pallet

Due to the size and weight (581 pounds shipping weight) of the CB72EPV—lifting and moving the unit will require 4 people.

Place a length (long enough to get a solid grip on each side) of 2 x 4 through the opening on each side of the unit as shown.

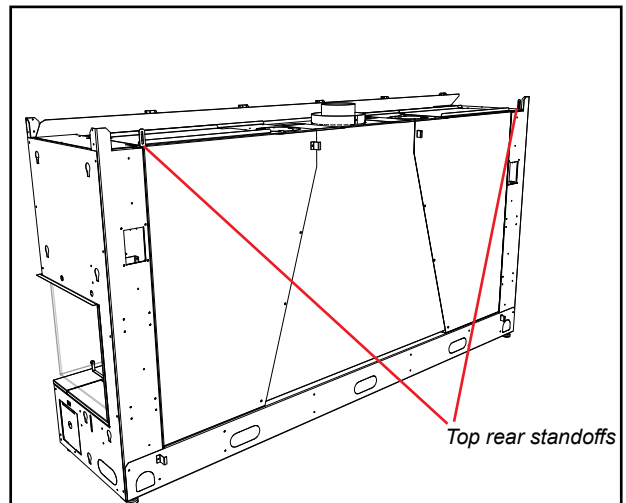
Lift and move the unit carefully.

**Note:** Remove 2 x 4's when unit it is in final position.



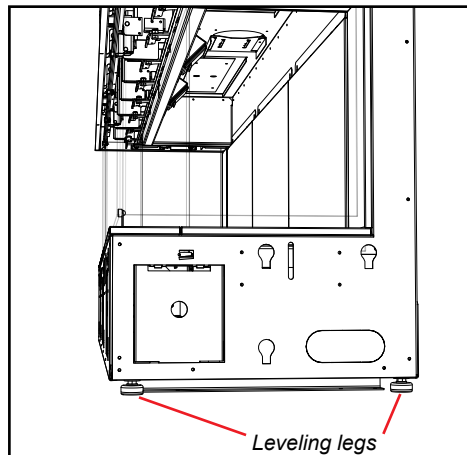
#### Rear Standoffs CB72EPV

The 6 rear standoffs are already attached to the appliance. Do not remove these standoffs. The 2 top rear standoffs are designed so that screws can be used to secure the appliance to the rear wall if needed. Studs must be in this location if choosing to screw this into studs.



#### Leveling Legs

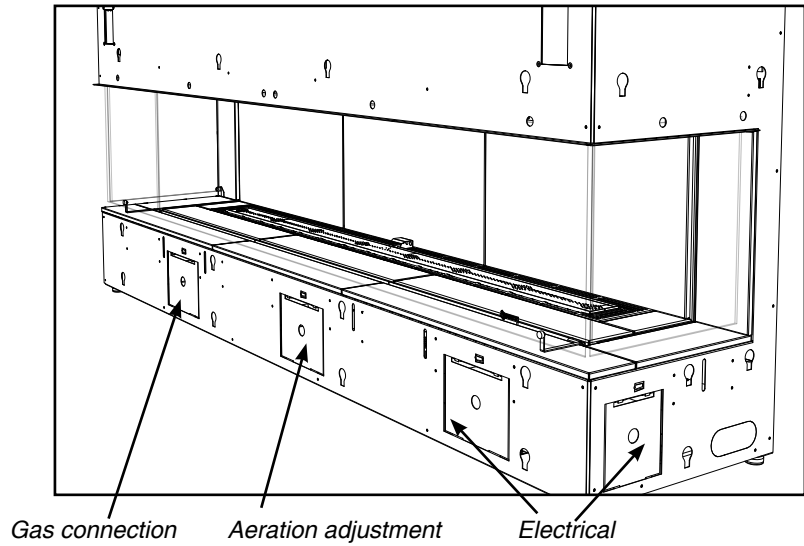
There are four levelling legs - two on each side, that can be adjusted (with the supplied tool—found in the manual package) if required.



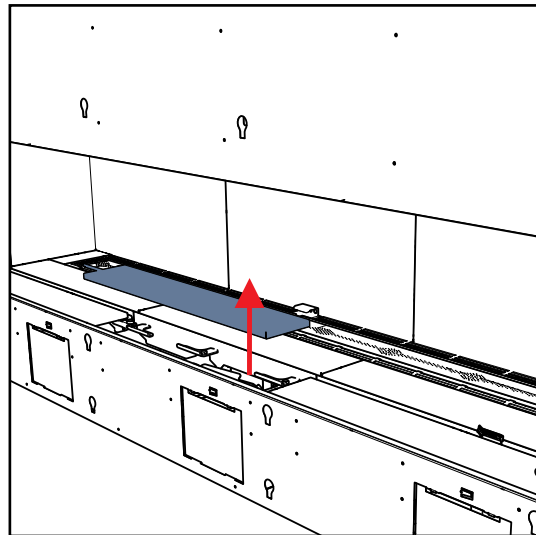
## Access Panel Removal

The front access panels (x3) and one (x1) on the right side (facing unit front) may be removed for ease of hooking up gas and electrical--prior to finishing. Once complete ensure that the access panel is reinstalled prior to any finishing. See locations in diagram to the right.

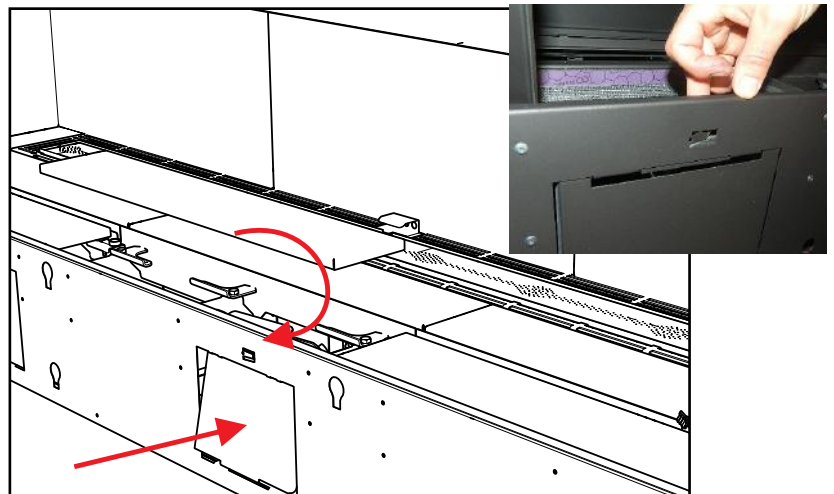
**Note:** Once the finished material is installed, these access panels are no longer accessible.



1. Identify access panel to be removed, remove corresponding outer trim panel by lifting up and off (centre panel shown below).



2. From inside the unit—push in tab to release the access panel at the top.
3. Push the access towards the inside of the unit, lift up from the bottom to release bottom tabs, when clear, lift out of unit.
4. Reverse steps to reinstall access panel.



# installation

## Clearances CB72EPV - Bay Install

### The clearances listed below are Minimum distances unless otherwise stated:

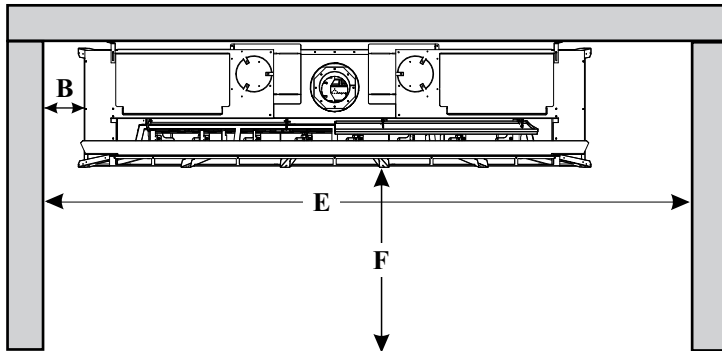
A major cause of chimney related fires is failure to maintain required clearances (air space) to combustible materials. It is of the greatest importance that this fireplace and vent system be installed only in accordance with these instructions.

Clearance: single sided	Dimension	Measured From:
A1: Mantel Height (min.)	**	Top of Fireplace Opening
A: From Floor	min. 0"	Bottom of Fireplace Opening
B: Sidewall (on one side) Min.	8" (203mm)	Side of Fireplace Opening
C: Enclosure Width (min.)	82-11/16" (2100mm)	Minimum inside dimensions
D: Mantel Depth (max.)	**	
E: Alcove Width	120" (3048mm)	Sidewall to Sidewall (Minimum)
F: Alcove Depth	36" (914mm)	Front to Unit (Maximum)
G: Convection Air Outlet Opening Offset	*0-2" (0-51mm)	Max. offset from top of chase enclosure
H: Convection Air Outlet	*288 square inches	
I Enclosure Depth (min.)	20-3/8" (517mm)	Minimum inside dimensions
J: Opening Height	15-1/16" (383mm)	Bottom/Top of Fireplace Opening
K: To Ceiling (Min.) all 3 sides	2-1/2" (64mm)	To Top of Ceiling
L: Chase Enclosure (Min.)	87" (2210mm)	From base of unit/floor to top of enclosure
M: Clearance to Sprinkler Head (Min.)	36" (914mm)	Perpendicular from chase grill
Hearth	0"	No hearth required

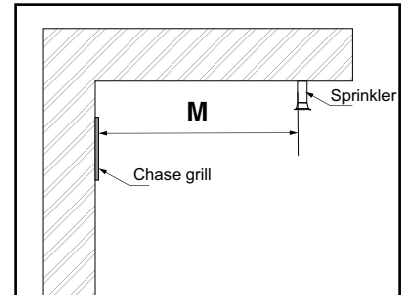
\*\* See mantel clearances chart in this manual.

Flue Clearances to Combustibles	
Horizontal - Top	3"
Horizontal - Side	2"
Horizontal - Bottom	2"
Vertical	2"
Passing through wall/floor/ceiling - when firestop is used.	1-1/2"

Note: This appliance uses 4" x 6-5/8" venting



Alcove



Side view

The **HeatWave** Duct Kit has different clearance and framing requirements, check the **HeatWave** manual for details.

**Caution Requirements**

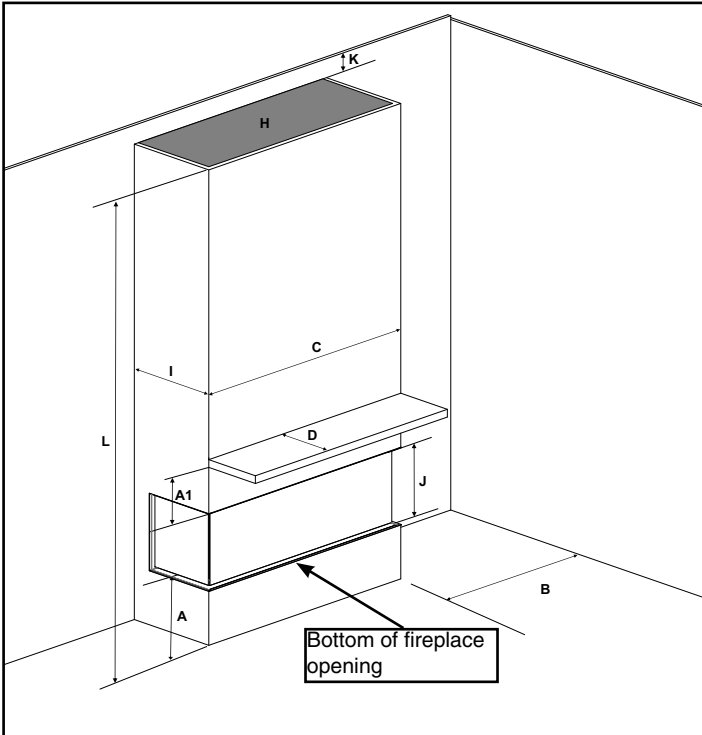
The top, back and sides of the fireplace are defined by standoffs. The metal ends of the standoff may **NOT** be recessed into combustible construction.

**WARNING**

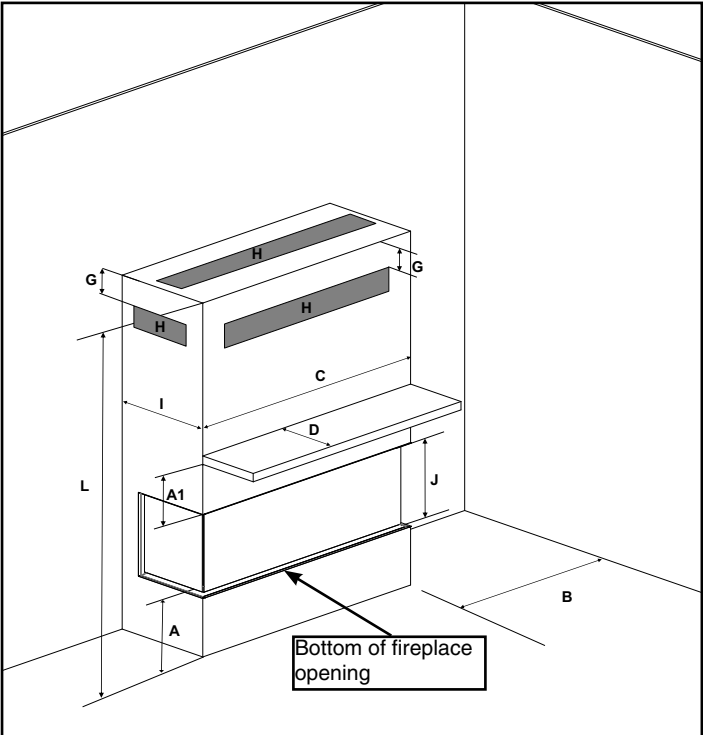
**Fire hazard is an extreme risk**

if these clearances (air space) to combustible materials are not adhered to. It is of greatest importance that this fireplace and vent system be installed only in accordance with these instructions.

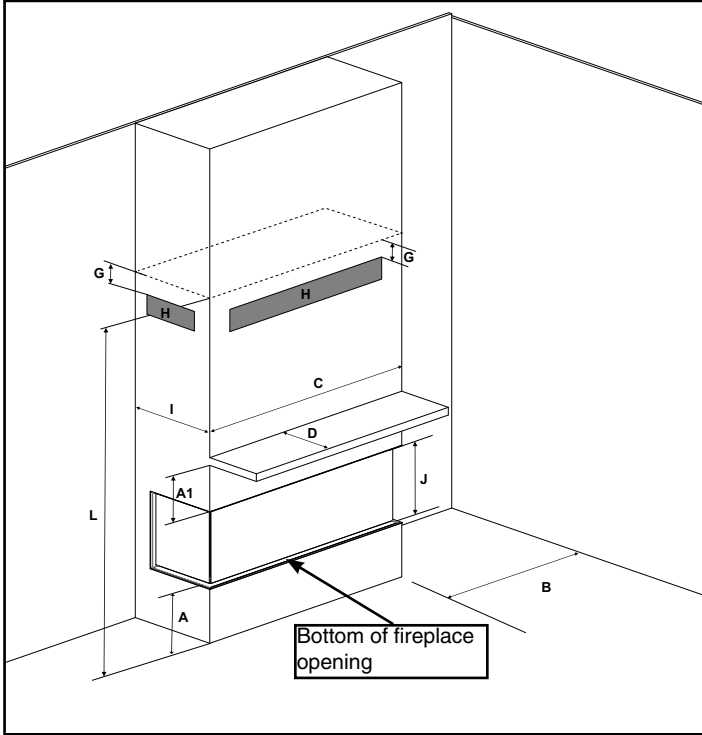
Clearances CB72EPV



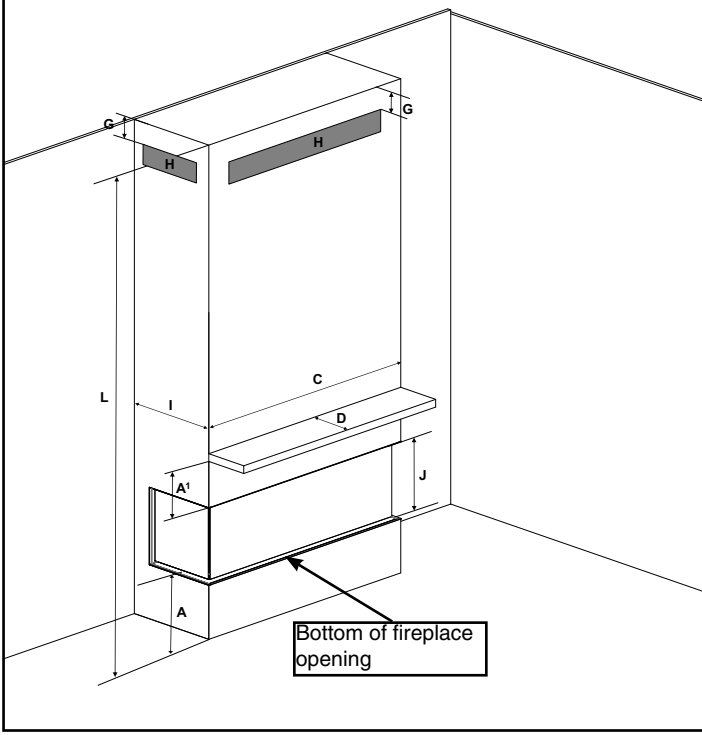
Floor to ceiling with top opening



Low framing with vents in front/sides or top



Full framing with low vents in front or sides



Full framing with vents in front or sides

# installation

## Clearances - Corner Install

The clearances listed below are Minimum distances unless otherwise stated:

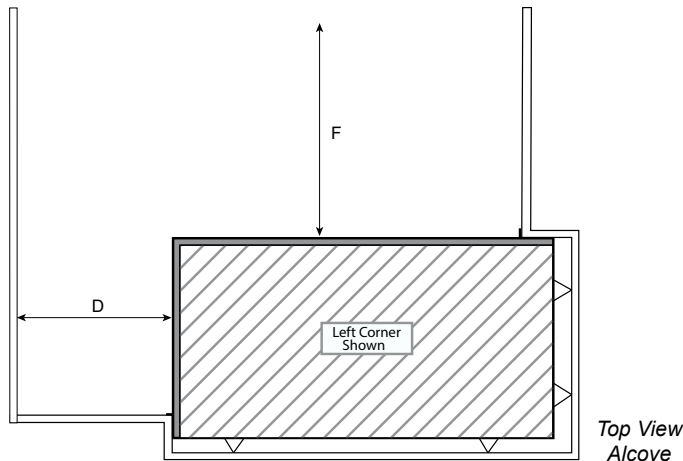
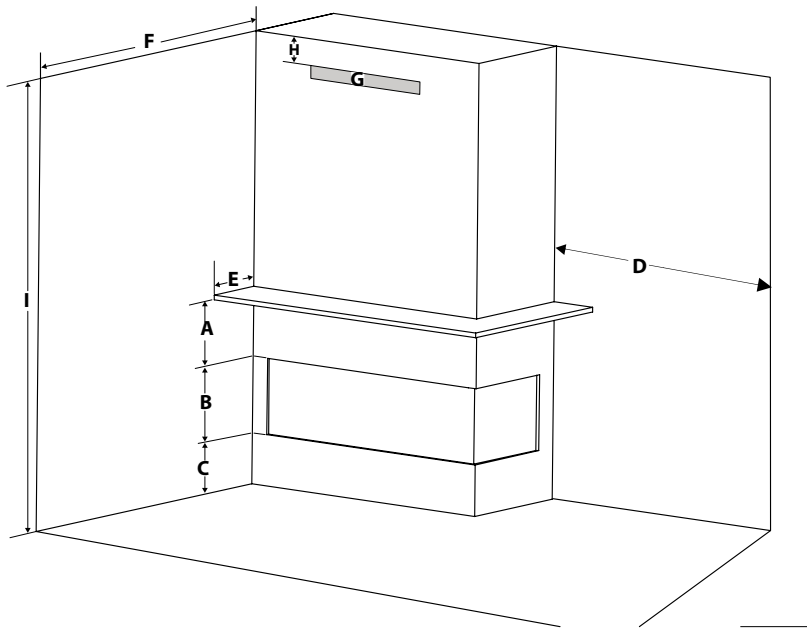
A major cause of chimney related fires is failure to maintain required clearances (air space) to combustible materials. It is of the greatest importance that this fireplace and vent system be installed only in accordance with these instructions.

Note: Left handed corner shown in illustration. Clearances will be the same for the right hand side.

Clearance: single sided	Dimension	Measured From:
<b>A: Mantel Height (min.)</b>	**	Top of Fireplace Opening
<b>B: Opening Height</b>	15-1/16" (383mm)	Bottom/Top of Fireplace Opening
<b>C: From Floor</b>	Min. 0"	Bottom of Fireplace Opening
<b>D: Sidewall (on one side)</b>	Min. 26" (660mm)	Side of Fireplace Opening
<b>E: Mantel Depth (Max.)</b>	**	Front of Fireplace Opening
<b>F: Alcove Depth</b>	Min. 36" (914mm)	Front of Fireplace Opening
<b>G: Convection Air Outlet</b>	288 square inches	
<b>H: Convection Air Outlet Opening Offset</b>	0-2" (51mm)	Max. offset from top of chase enclosure
<b>I: Chase Enclosure (Min.)</b>	87" (2210mm)	From Base of Unit/Floor to top of enclosure
<b>Hearth</b>	0"	No hearth required

\*\* See mantel clearances chart in this manual.

Flue Clearances to Combustibles	
Horizontal - Top	3"
Horizontal - Side	2"
Horizontal - Bottom	2"
Vertical	2"
Passing through wall/floor/ceiling - when firestop is used.	1-1/2"



**Heat Wave** The *HeatWave* Duct Kit has different clearance and framing requirements, check the *HeatWave* manual for details.

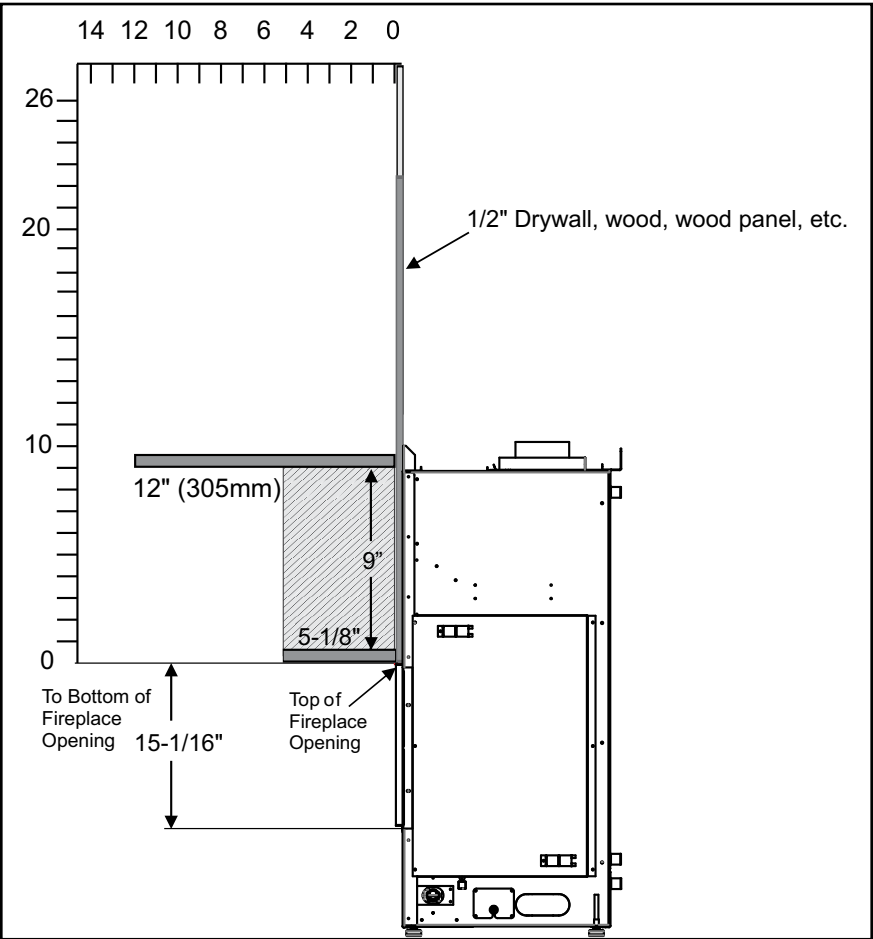
**Caution Requirements**  
The top, back and sides of the fireplace are defined by standoffs. The metal ends of the standoff may **NOT** be recessed into combustible construction.

**WARNING**  
**Fire hazard is an extreme risk**  
if these clearances (air space) to combustible materials are not adhered to. It is of greatest importance that this fireplace and vent system be installed only in accordance with these instructions.



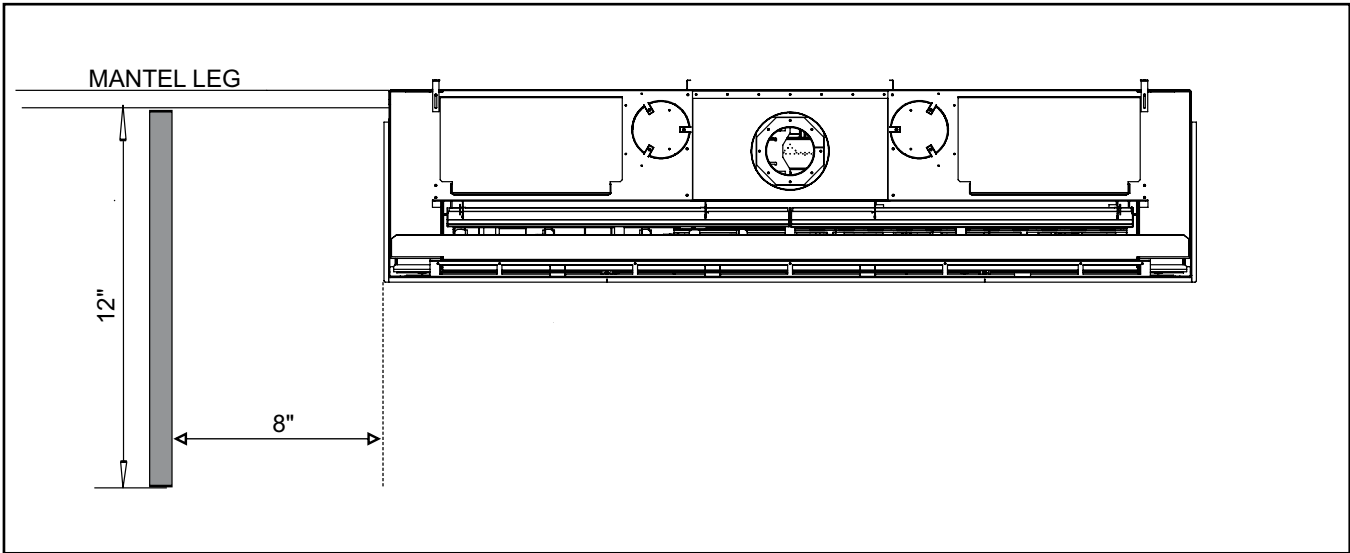
**Mantel Clearances CB72EPV**

Combustible mantel clearances from top of front facing are shown in the diagram on the right.



**Mantel Leg Clearances**

Combustible mantel leg clearances as per diagram:



# installation

## Framing Dimensions CB72EPV - Bay Install

**NOTE:** Framing may be constructed of combustible material (ie. 2 x 4) and does not require steel studs.

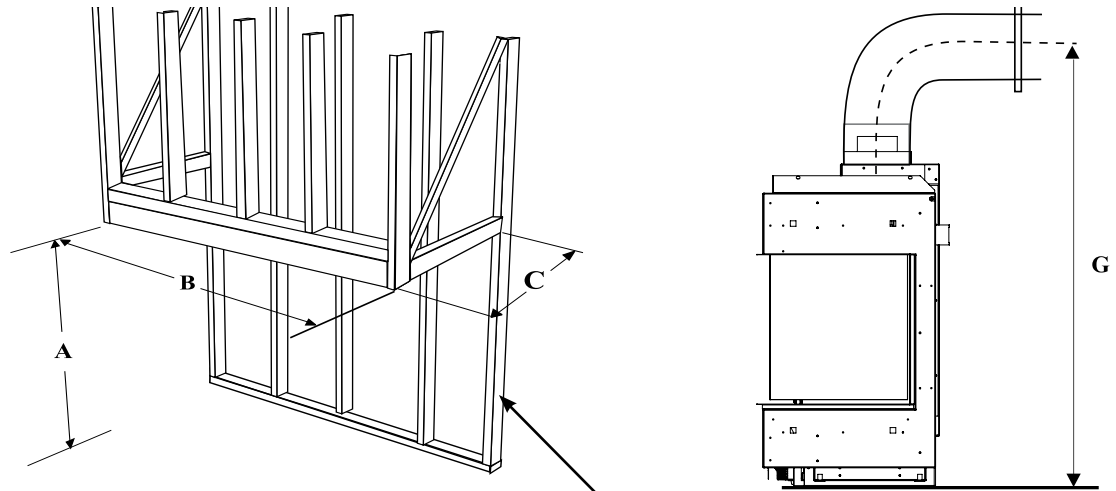
Framing Dimensions	Description	CB72EPV
A	Framing Height	51" (1295mm)
B	Framing Width	82-11/16" (2100mm)
C*	Framing Depth	20-5/8" (524mm)
D	Minimum Height to Combustibles	87" (2210mm)
G	Vent Centerline Height	55-1/4" (1403mm)
**	Gas Connection Opening Height	See gas connection location in this manual
**	Gas Connection Height	See gas connection location in this manual
**	Gas Connection Inset-Centre Opening	See gas connection location in this manual

C\* - see not in diagram below  
 \*\* See manual for alternate Gas/ Electrical connection options

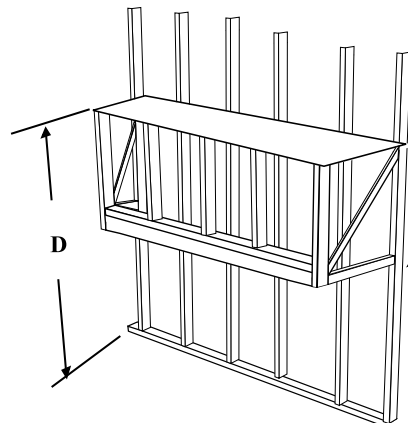
Ensure that the wood base that the appliance will sit on is strong enough to support the full weight of this appliance. The overall weight of this appliance is 582 pounds (shipping weight).

Note: A combined minimum of 288 square inches of open area is required for the convection air outlet to cool the enclosure. Ensure clearances for Convection Air Outlets are met.

See clearances CB72EPV in this manual as there are different methods as to how this can be achieved.



Note: This appliance must be installed on a solid surface such as a plywood floor which must be the full width and depth of the appliance.



**Note: Unit must be installed onto a solid backwall - do not install directly onto studs.**

**\*C**  
**Note :** The framing depth does not take into account drywall/wood or similar materials against the back wall. The framing depth will need to change based on the thickness of the material (example: 20 5/8 framing depth + 1/2 drywall = 21 1/8")

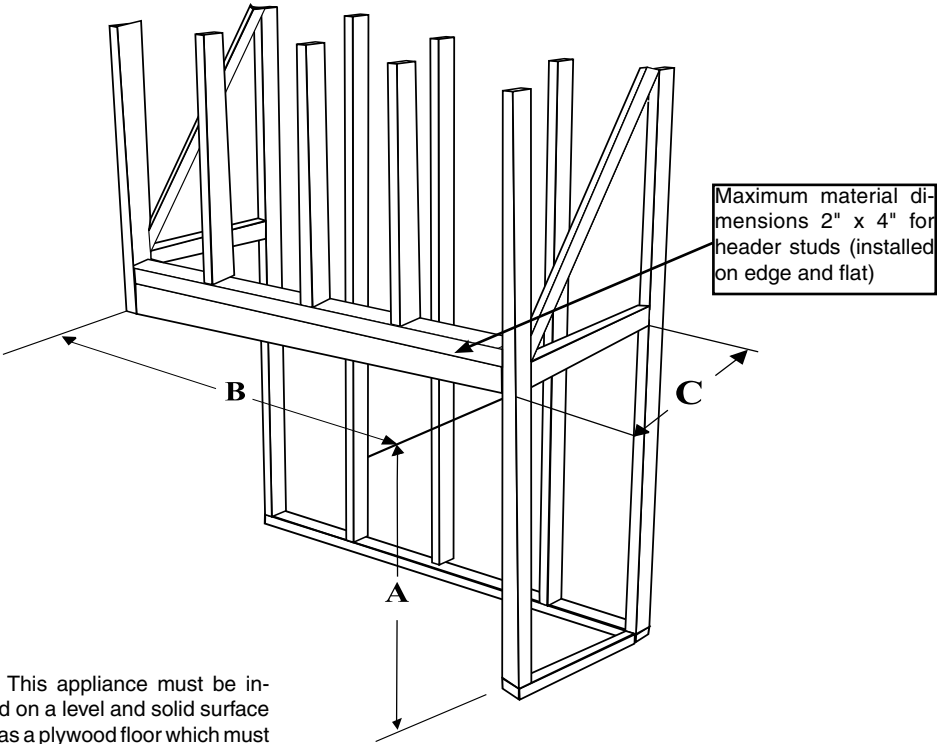
**Framing Dimensions Corner Kit - Corner Install (Right Corner)**

**NOTE:** Framing may be constructed of combustible material (ie. 2 x 4) and does not require steel studs.

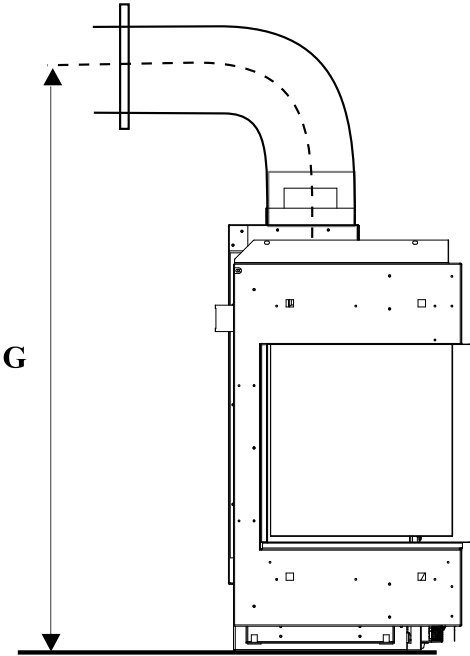
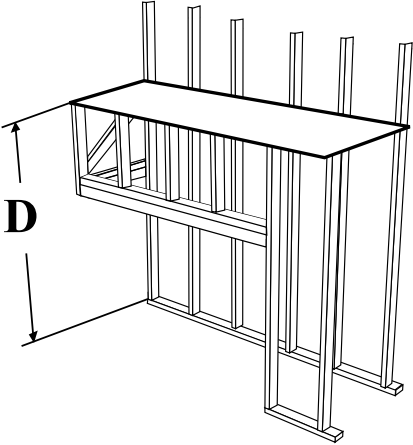
Framing Dimensions	Description	Corner Kit
A	Framing Height	51" (1295mm)
B	Framing Width	84" (2134mm)
C	Framing Depth	20-5/8" (524mm)
D	Unit Base to Top Enclosure (Min.)	87"(2210mm)
G	Vent Centerline Height	55-1/4" (1403mm)

Note: A combined minimum of 288 square inches of open area is required for the convection air outlet to cool the enclosure. Ensure clearances for Convection Air Outlets are met. See clearances CB72EPV in this manual as there are different methods as to how this can be achieved.

**NOTE:** Unit cannot be load-bearing. All finishing materials must be supported by the framing.



Note: This appliance must be installed on a level and solid surface such as a plywood floor which must be the full width and depth of the appliance.



# installation

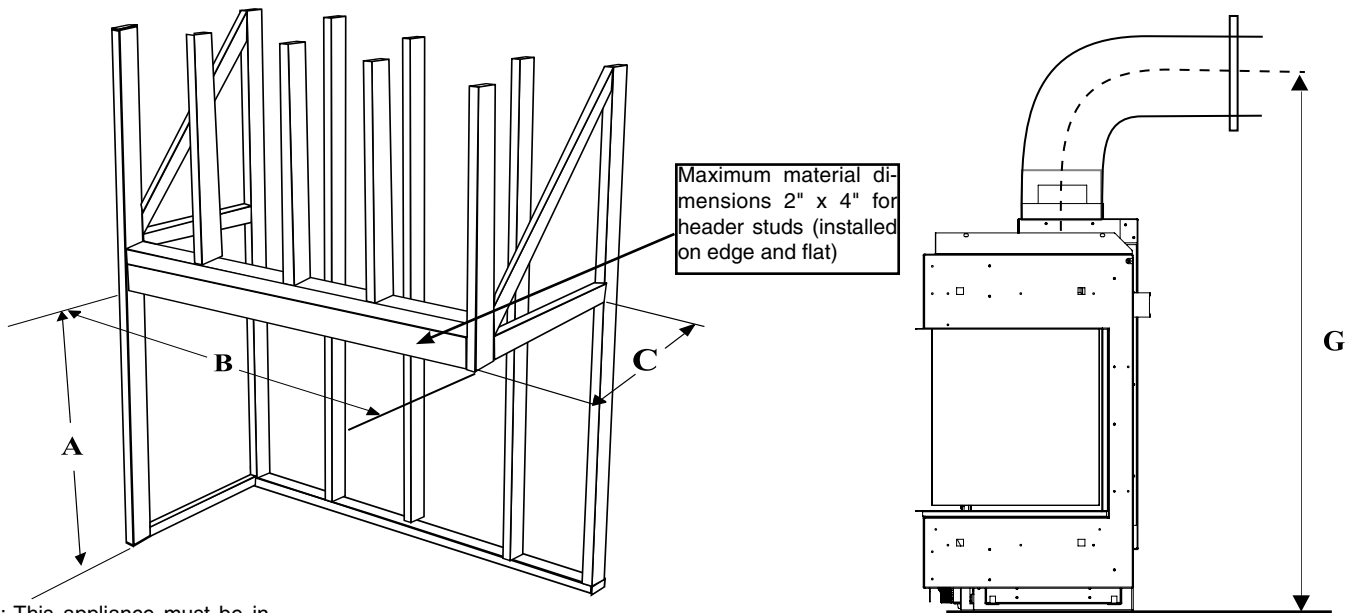
## Framing Dimensions Corner Kit - Corner Install (Left Corner)

**NOTE:** Framing may be constructed of combustible material (ie. 2 x 4) and does not require steel studs.

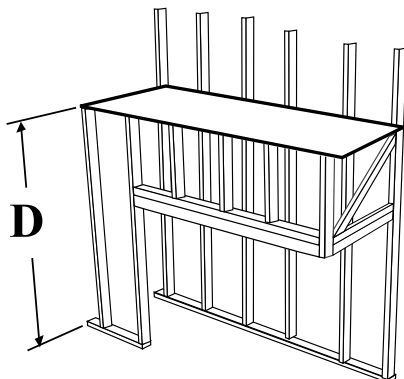
Framing Dimensions	Description	Corner Kit
A	Framing Height	51" (1295mm)
B	Framing Width	84" (2134mm)
C	Framing Depth	20-5/8" (524mm)
D	Unit Base to Top Enclosure (Min.)	87" (2210mm)
G	Vent Centerline Height	55-1/4" (1403mm)

Note: A combined minimum of 120 square inches of open area is required for the convection air outlet to cool the enclosure. Ensure clearances for Convection Air Outlets are met. See clearances CB72EPV in this manual as there are different methods as to how this can be achieved.

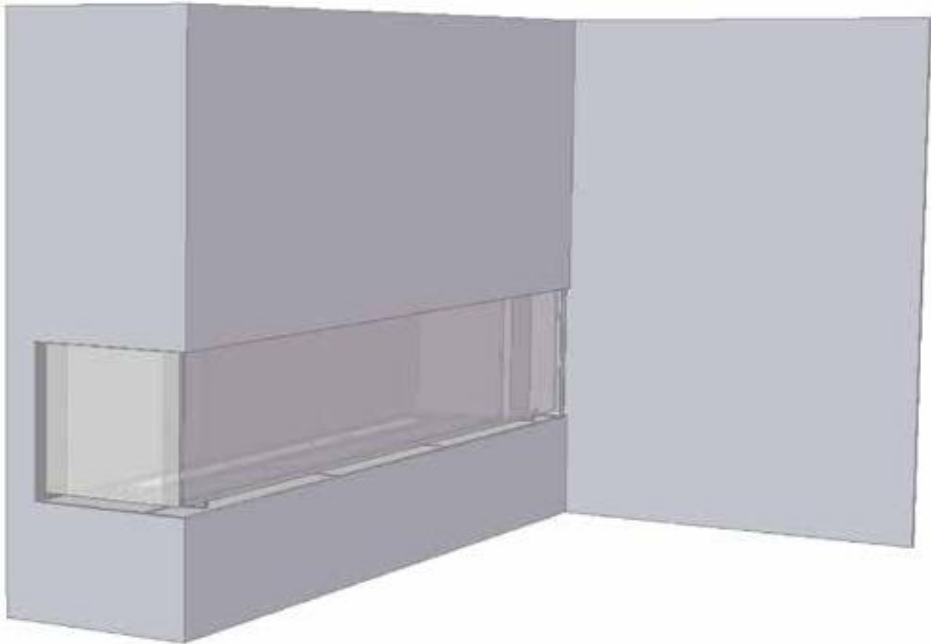
**NOTE:** Unit cannot be load-bearing. All finishing materials must be supported by the framing.



Note: This appliance must be installed on a level and solid surface such as a plywood floor which must be the full width and depth of the appliance.

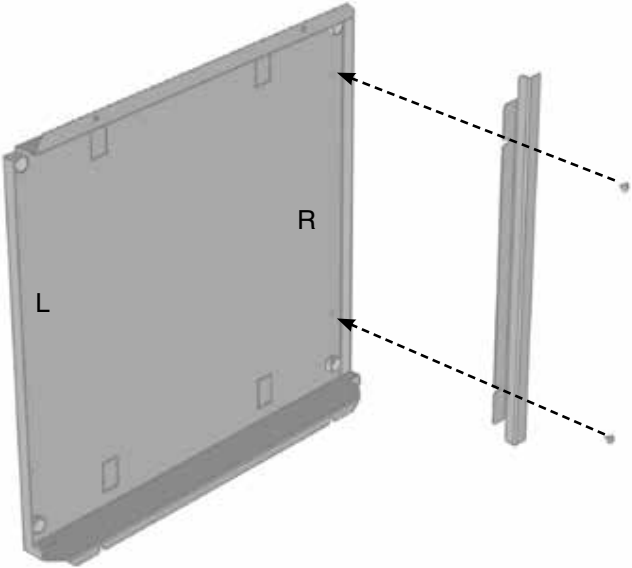
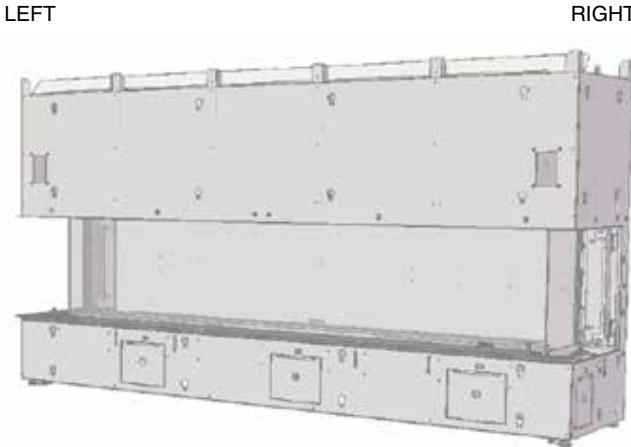


CB72 Corner Conversion - Assembly Steps



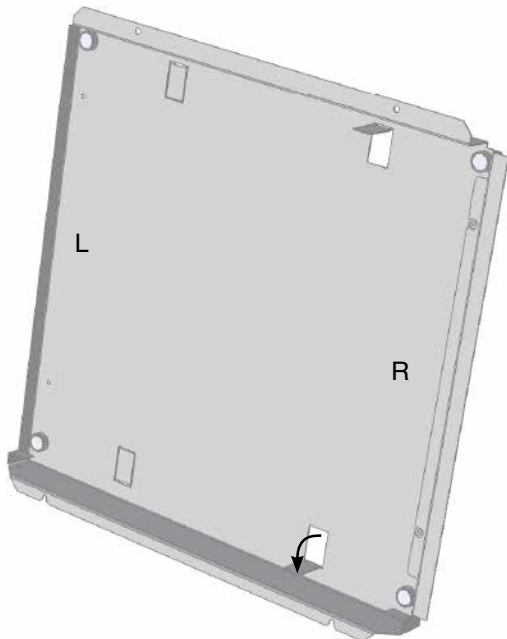
1. Decide on Left or Right install - Install outer panel of corner conversion before placing unit in framing.

2. Install trim guide for left or right install to the outer side panel.

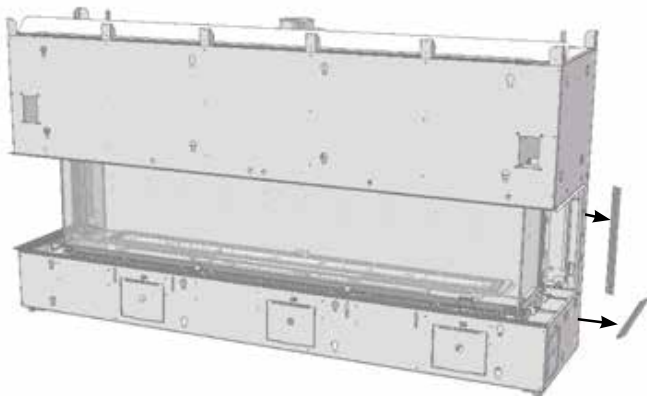


# installation

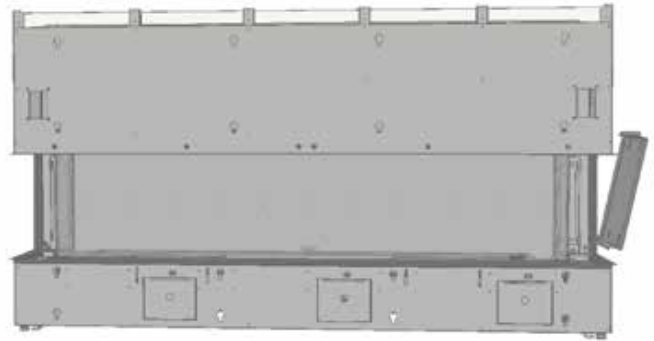
3. Bend tabs closest to the finishing trim inwards 90 degrees on the outer side panel.



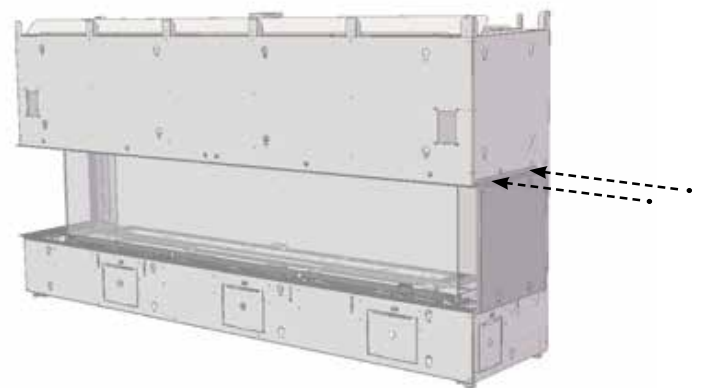
4. Loosen screws using offset screwdriver and remove trim guides from side of unit and recycle them.



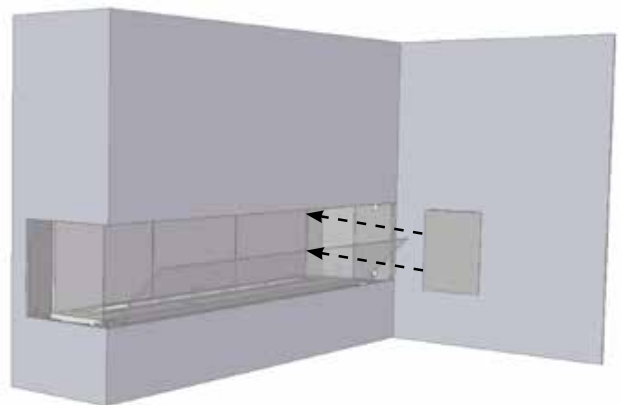
5. Slide outer side panel down onto screws that remain from removable trim. Tighten screws with offset screwdriver.



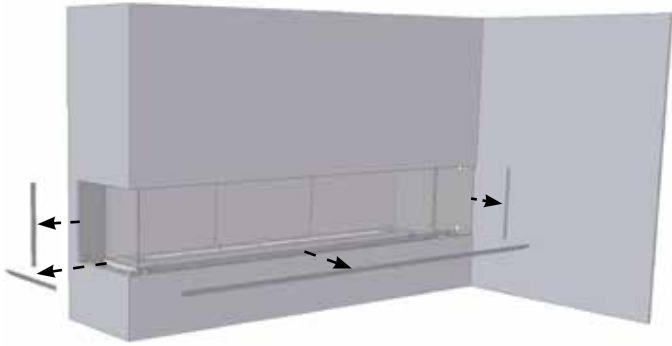
6. Screw in the two self-tapping screws to the top of the outer side panel. Unit can be placed in framing at this point.



7. See inner panel install section. Once firebox panels are installed, then install corner conversion liner panel inside of side barrier glass. Note: Gasket side of panel sits against the glass and the flange sits at top.



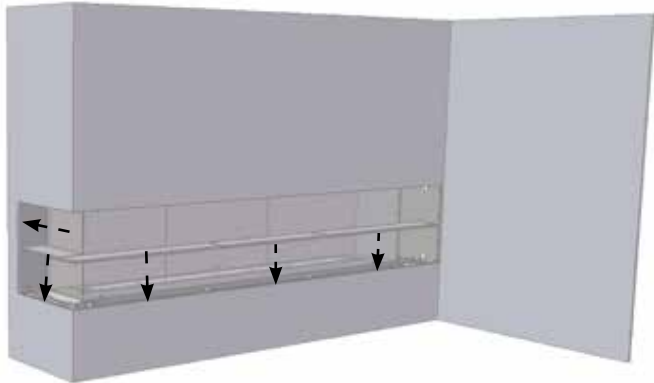
8. Once all framing and wall finishing is complete, use offset screwdriver and remove finishing trim guides.



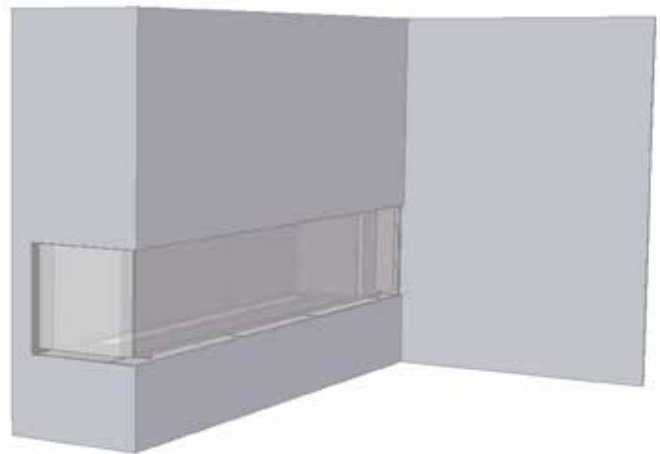
11. Slide corner piece up to outer side panel until contact with magnet is made.



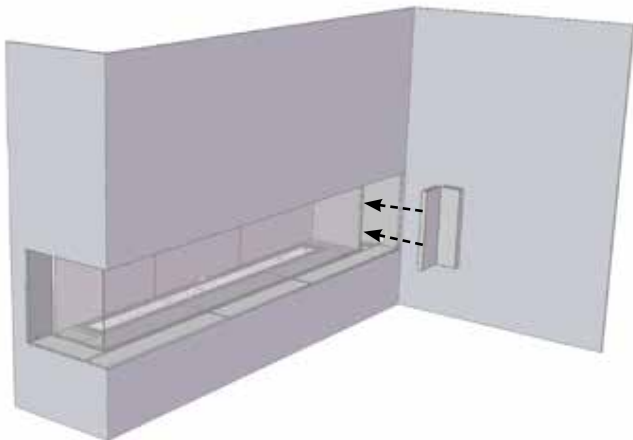
9. Install outer liner panels and then recycle unused side and back panel.



12. Once corner conversion is installed, continue regular install of barrier glass. Discard unused side glass barrier.



10. Slide corner piece in right up to firebox glass.



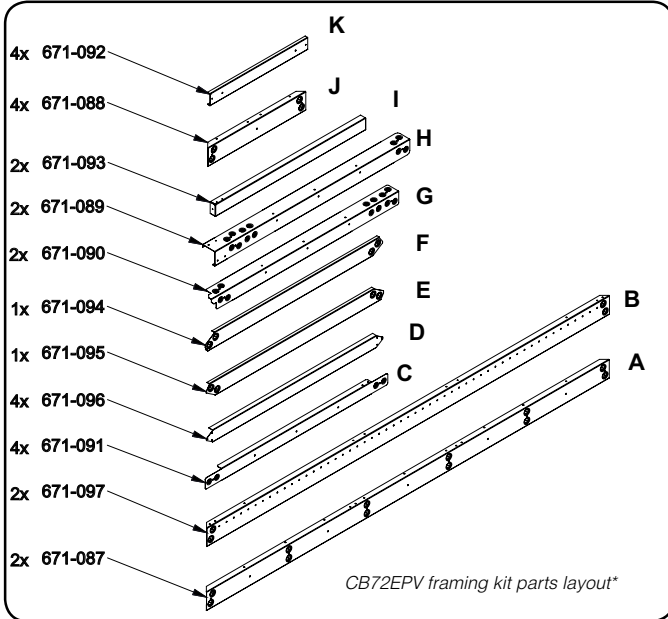
# installation

## Optional Framing Kit CB72EPV

### Tools/hardware required:

- Level
- Stud finder
- Cordless screwdriver
- Phillips bit
- 5/16 inch hex head bit
- 2" to 3" wood screws (minimum 16)
- Flashlight

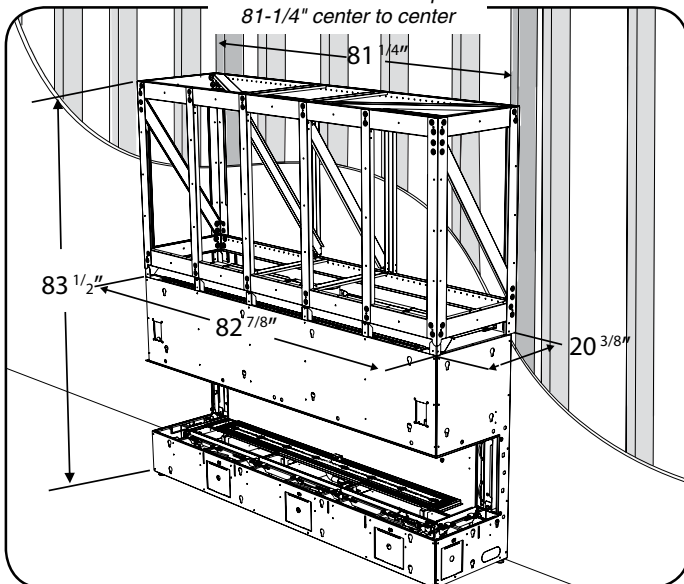
Note: Extra screws are provided to assemble this kit.



\*See last page of these instructions for assembled overview.

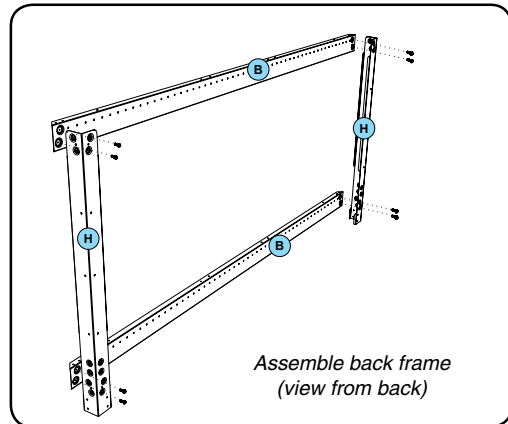
Before starting the installation, ensure the wall framing contains 2 additional studs spaced 81-1/4" (2064mm) apart from center to center. The framing will need to be secured to these studs as well as secured to the original studs of the wall framing.

*Additional wall studs required  
81-1/4" center to center*

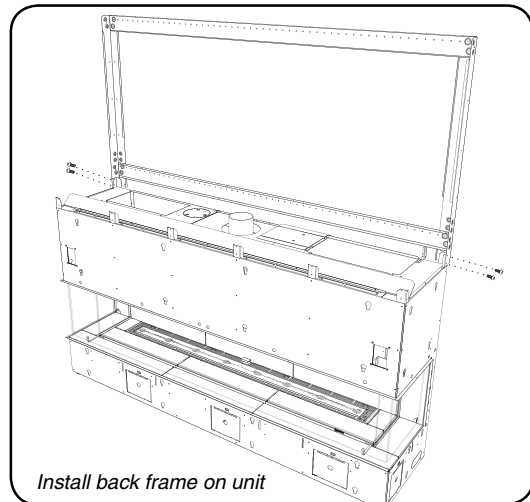


*Framing Kit with unit - Overall dimensions*

1. Assemble the back frame as shown below by assembling 2x Part B with 2x Part H with 8 screws installed from back of frame.



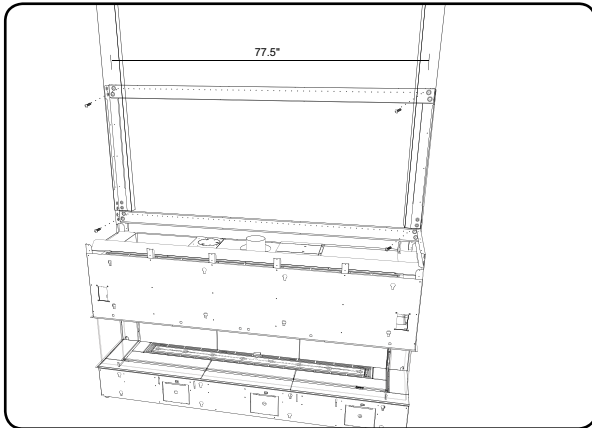
2. Install the frame assembled in Step 1, onto the back of the unit as shown with 2 screws on each side.



3. Place unit against wall in desired location. Level the unit by adjusting 4 leveling bolts on unit.
4. Install venting before proceeding further with framing kit construction. Refer to manual for venting instructions.



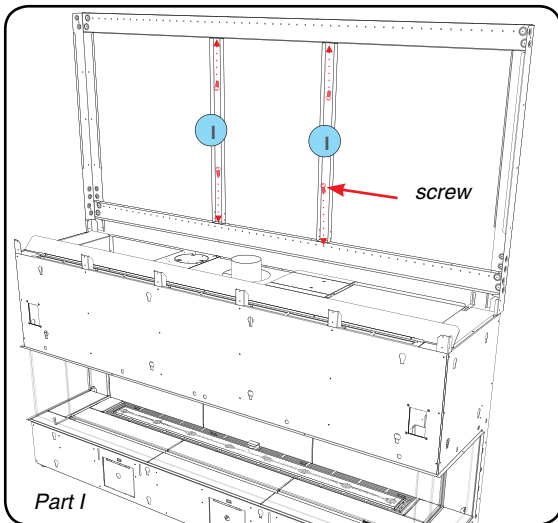
5. Secure the unit with framing to the wall studs with 2-1/2"-3" wood screws (not supplied). Use 8 screws and secure to 4 studs minimum. Ensure the frame is also secured to the 2 additional studs spaced 77.5" apart, using the last hole on the upper and lower Part B framing part as shown below.



Secure framing to wall

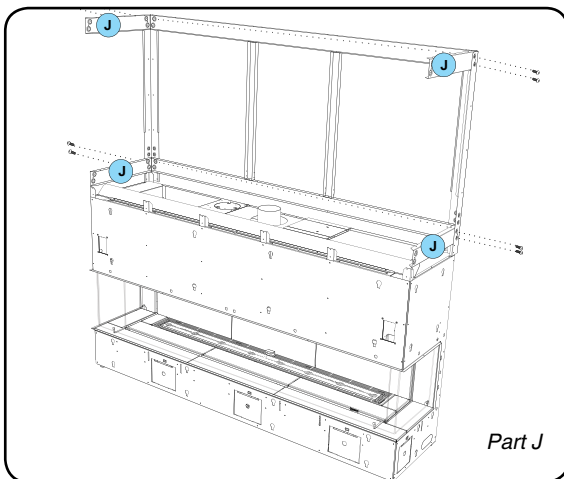
Note: only 2 additional studs shown (regular framing not shown)

6. Attach the 2 center supports (Part I) to upper and lower Part B of the back frame with 2 screws each as shown.



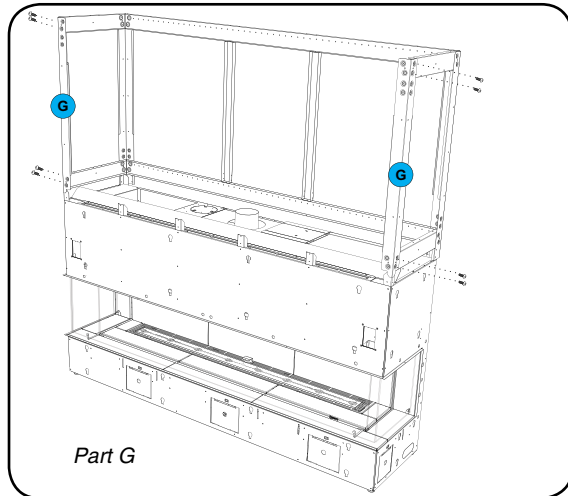
Part I

7. Attach the 4 x end pieces (Part J) to the upper and lower Part B of the back frame with two screws each.



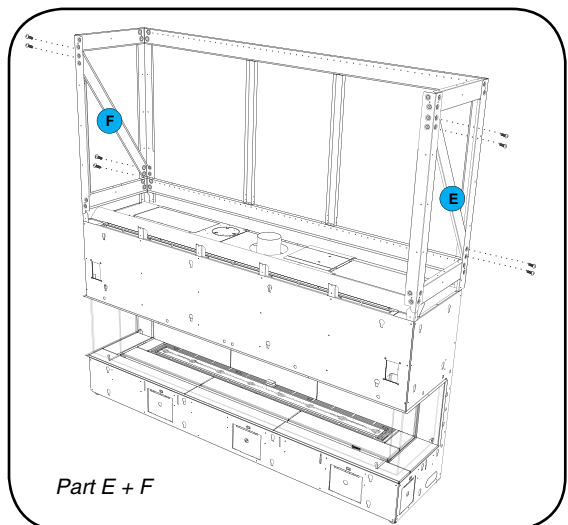
Part J

8. Attach 2 x Part G to the previously installed Part J parts with 2 screws at each end.



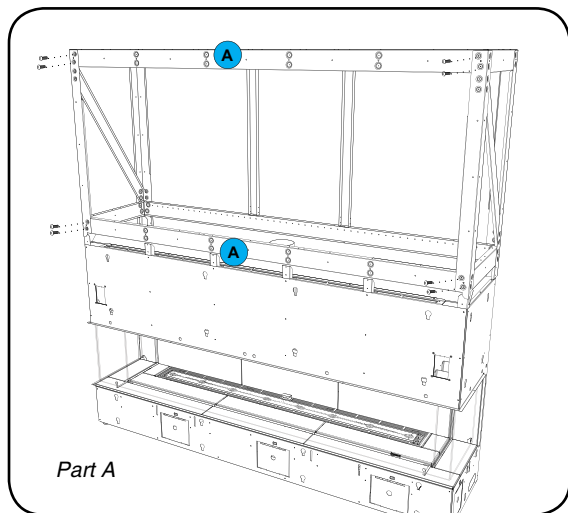
Part G

9. Attach end cross braces (Parts E + F) with 2 screws at each end as shown below.



Part E + F

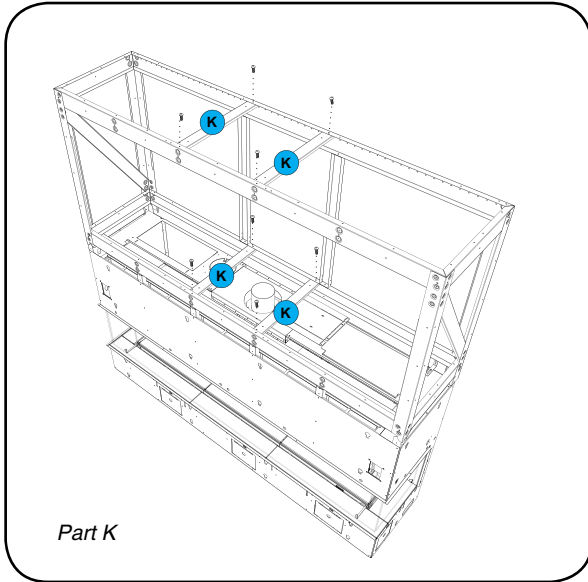
10. Install Part A (x2) to Part G on each side with 2 screws on each end.



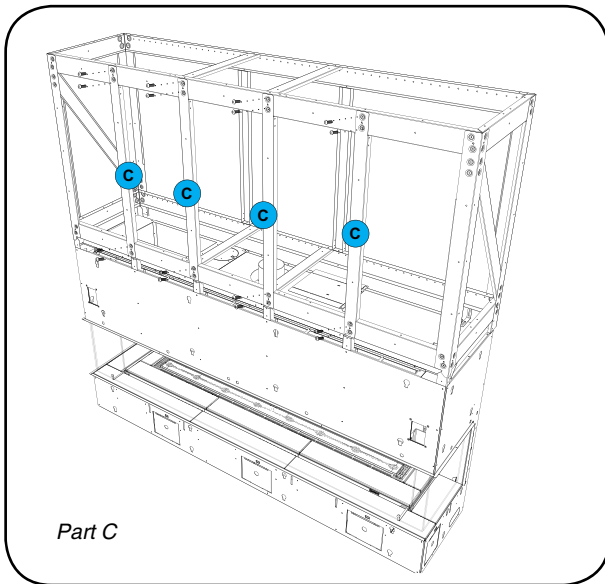
Part A

# installation

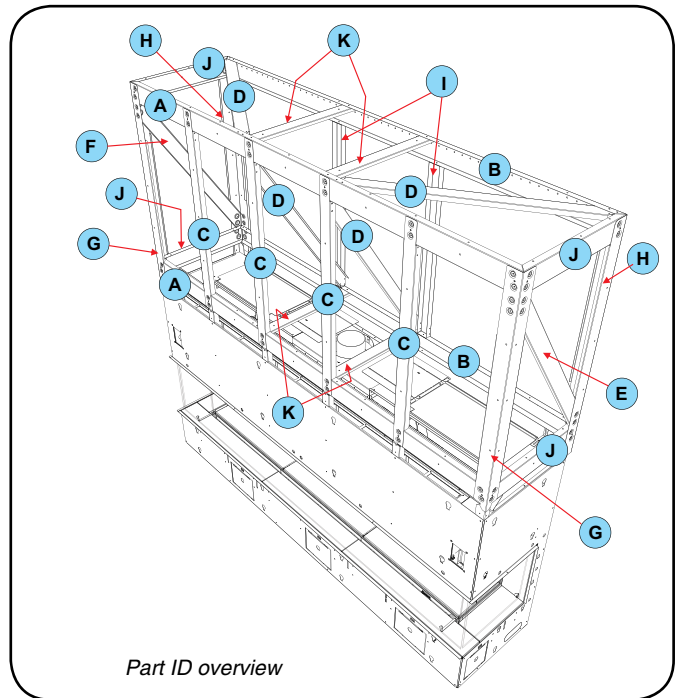
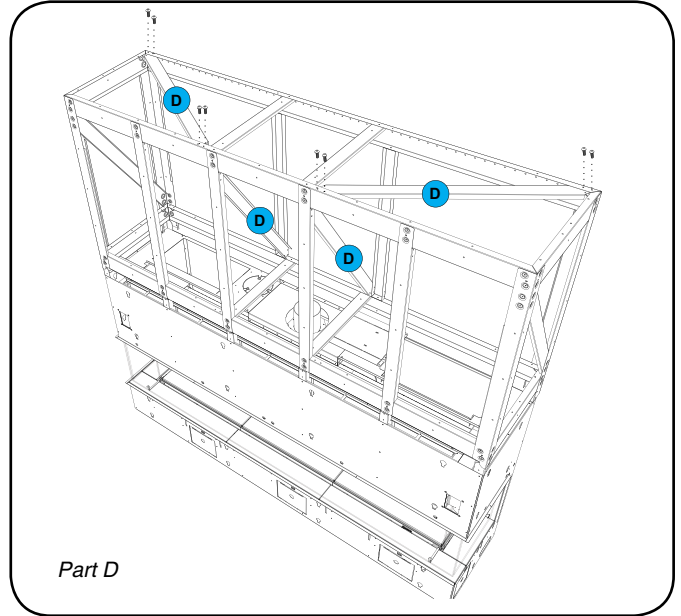
11. Install 4 horizontal mid braces (Part K) with one screw on each end (installed from the top).



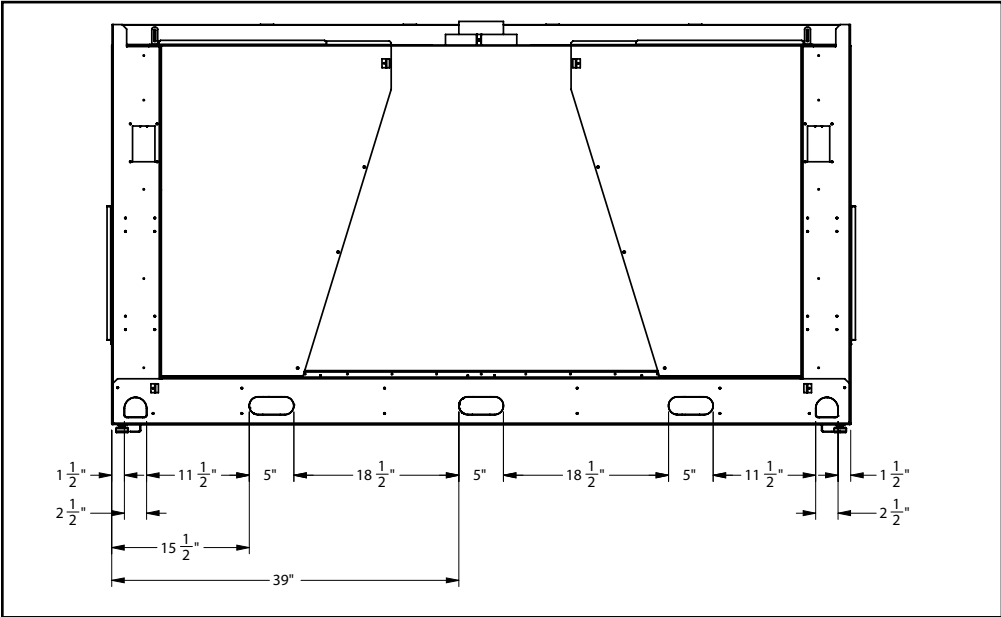
12. Install 4 front supports (Part C) to upper and lower Part A with 2 screws on each end.



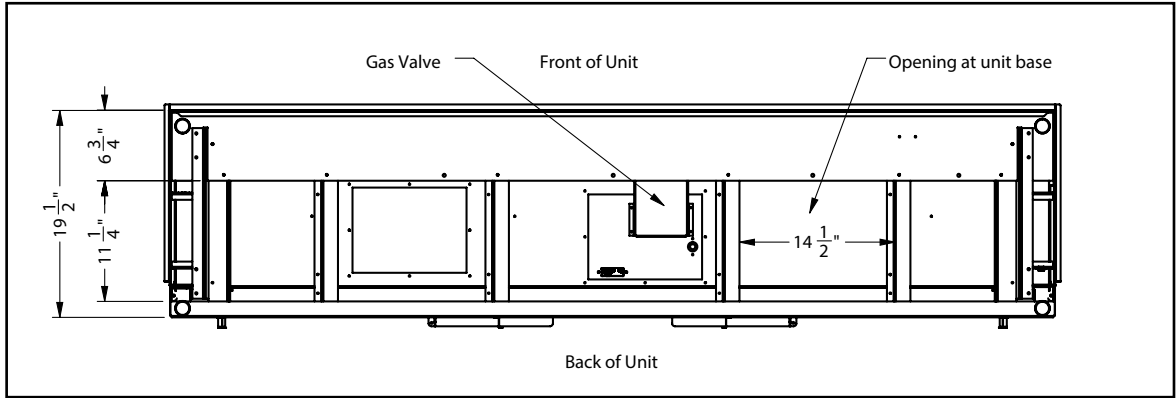
13. Install 2 top and 2 inner diagonal supports (Part D) with 2 screws at each end.



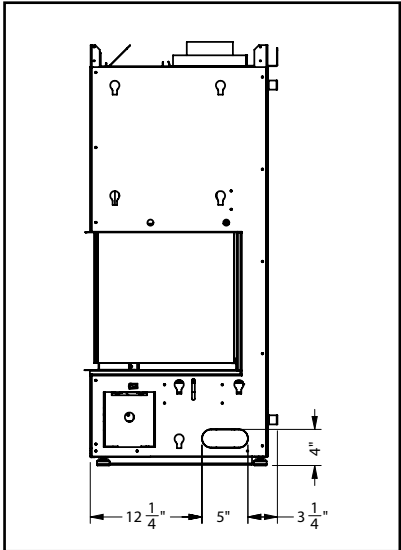
Gas Connection - Back of Unit



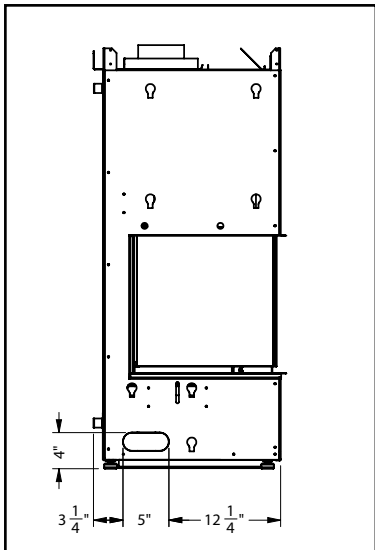
Gas Connection - Bottom of Unit



Gas Connection - Side of Unit



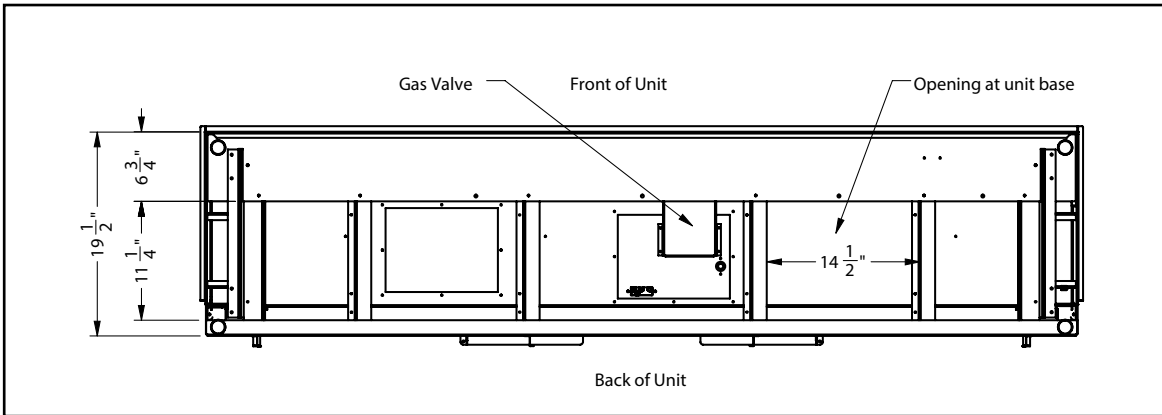
Right Side



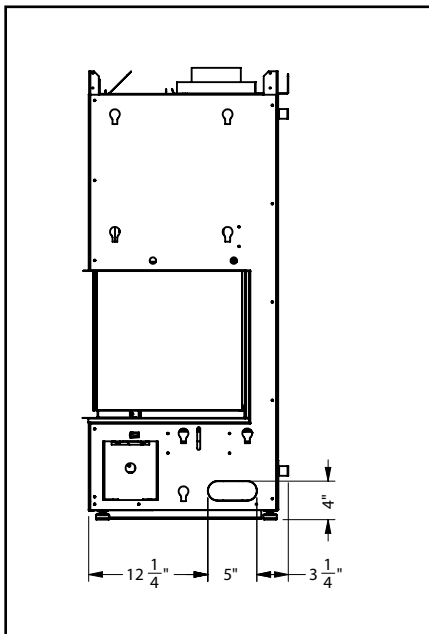
Left Side

# installation

## Electrical Connection - Bottom of Unit

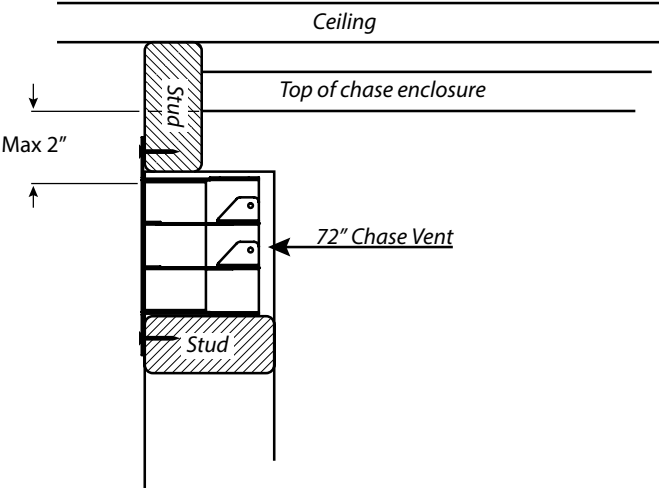
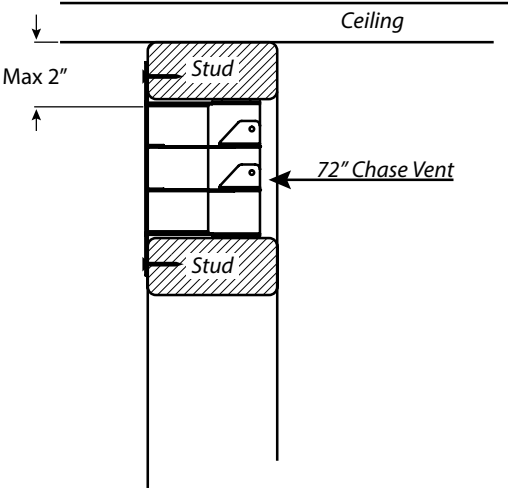
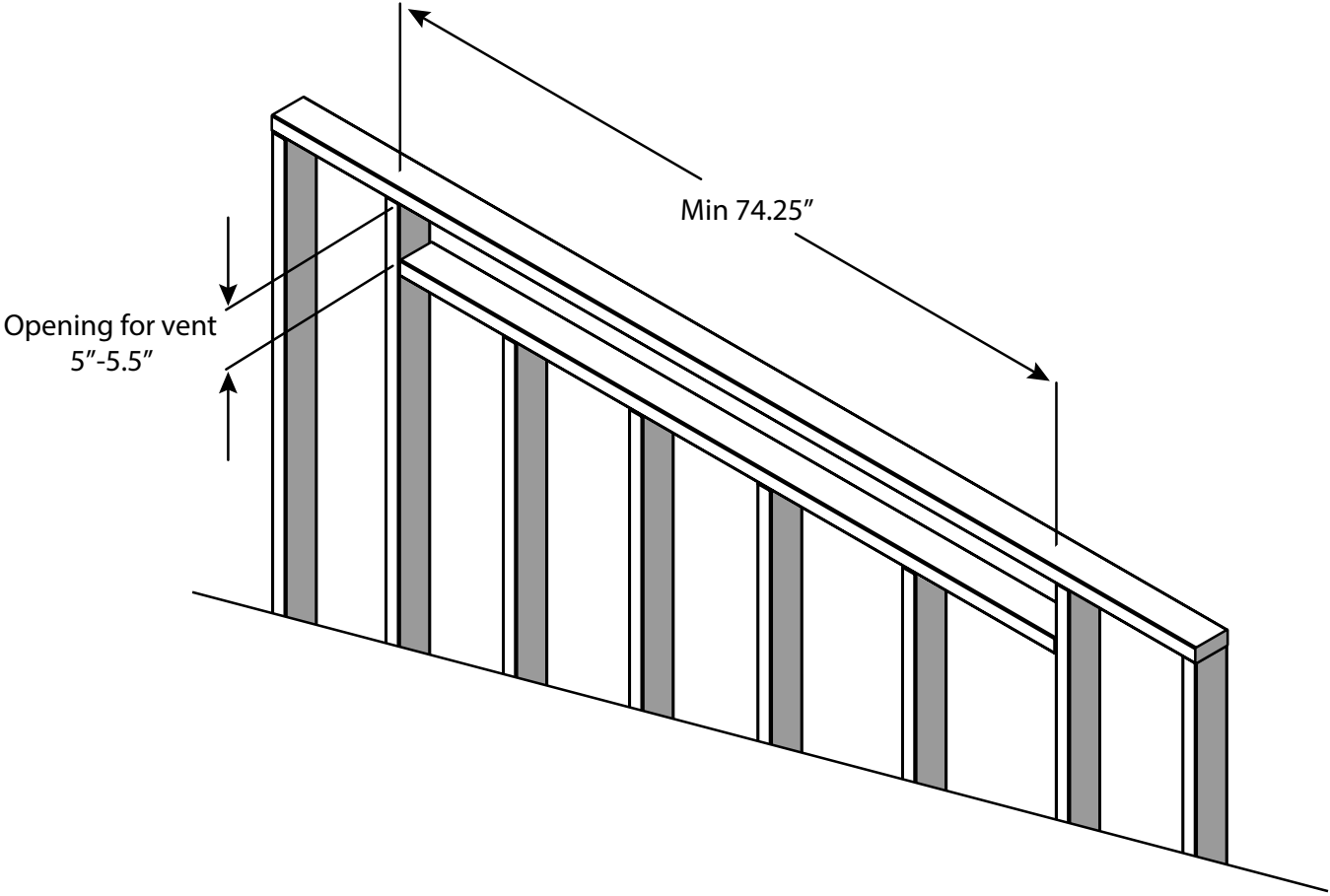


## Electrical Connection - Side of Unit

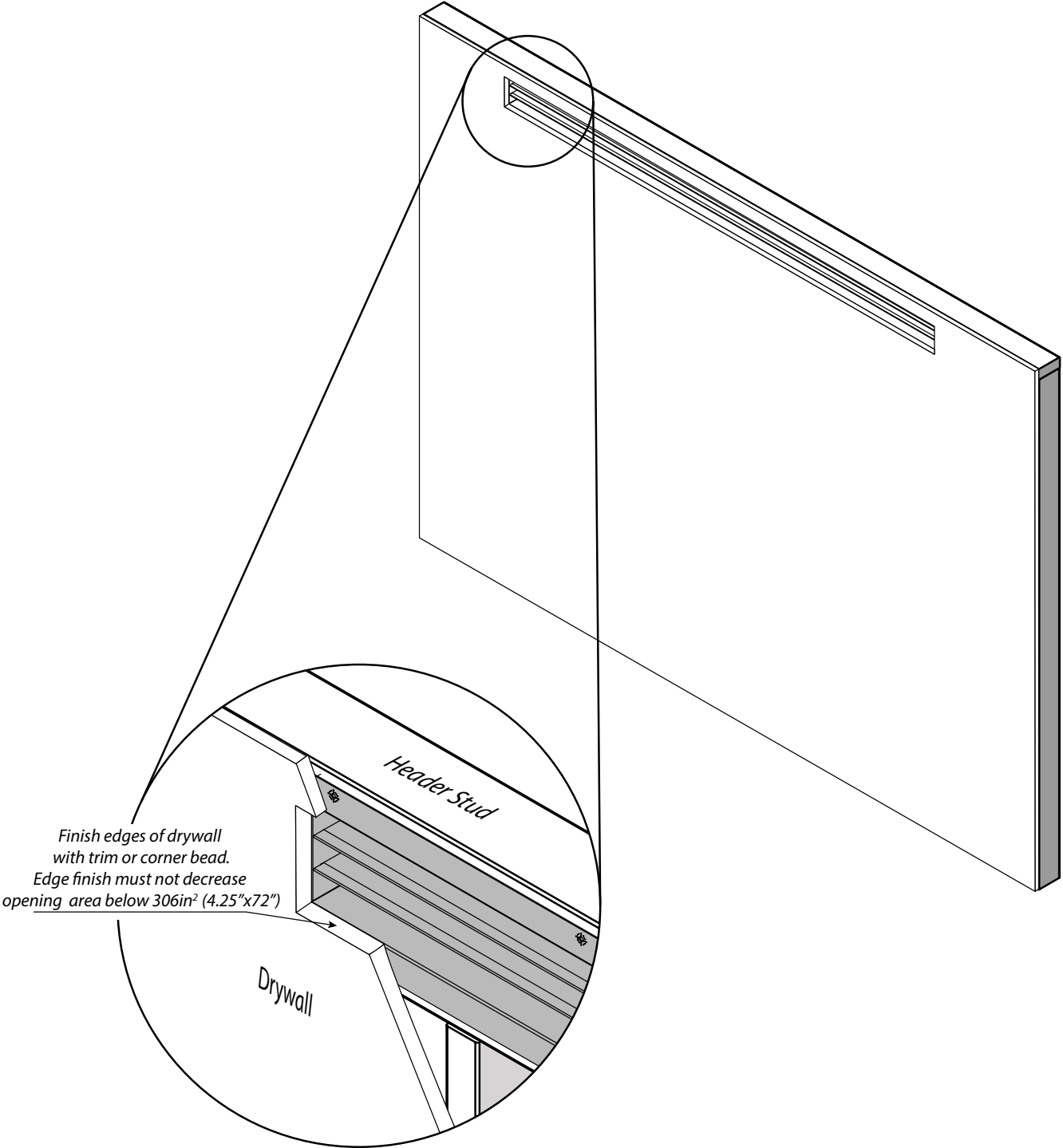


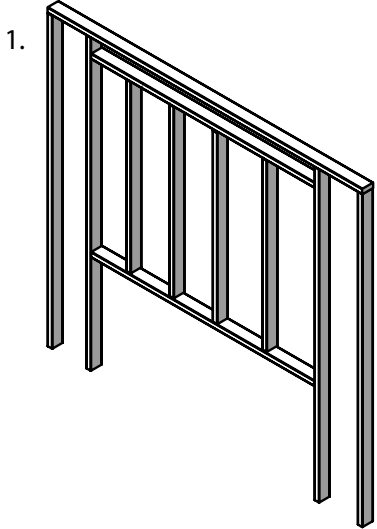
CB72EPV Chase Vent Installation

Framed Opening must be between 5" and 5.5" tall, and at least 74.25" wide to accommodate the Chase vent.  
The top of the chase vent opening must be 2" or less from the top of the chase enclosure.

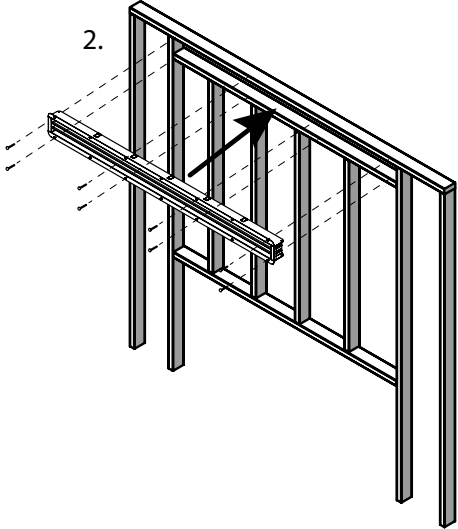


installation

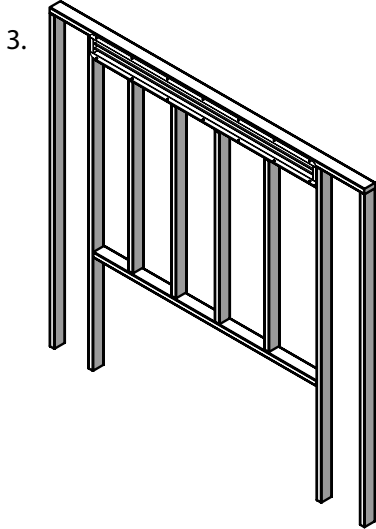




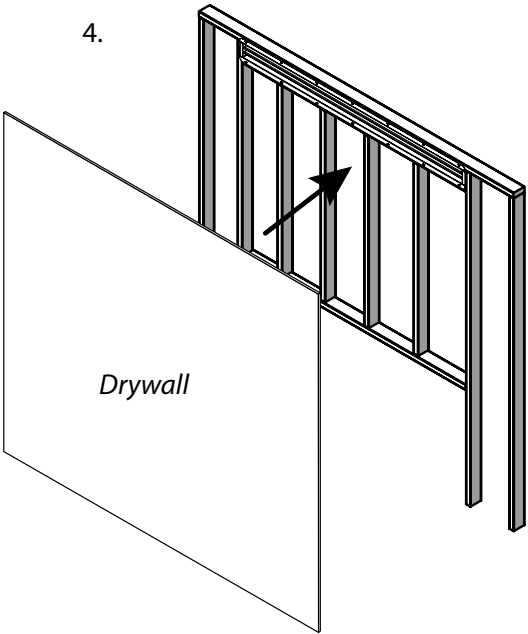
1. Frame opening for vent  
(See Vent Framing Clearances Page)



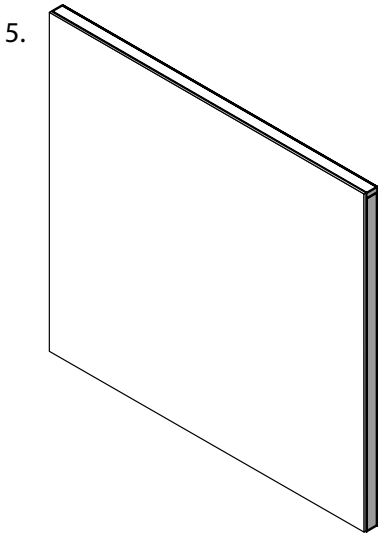
2. Screw Chase vent to Framing



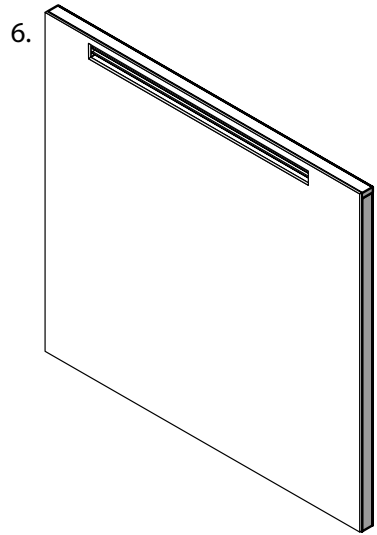
3. Use at least 4 sets of screws to keep the vent flat against frame



4. Frame wall with finishing material



5. If necessary, mark where the chase vent is located before fixing drwall in place



6. Cut hole in finishing material around inside of chase vent. Finish edges around opening

# installation

## Wall Board/Drywall Installation CB72EPV

**WARNING!** Risk of Fire! Comply with all minimum clearances to combustibles as specified.

### Finishing Instructions

It is important to follow the framing and finishing instructions to ensure proper placement of fireplace into the surrounding framing/finishing materials. Wall board materials 1/2 in. thick are specified in this installation manual to properly align with the optional finishing methods offered with this appliance. The CB72EPV may be finished to the appliance opening with 1/2 inch thick drywall.

- Ensure that the back and side clearances are maintained.

**WARNING!** Risk of Fire! Maintain specified air space clearances to combustibles. Inadequate air space could cause overheating and fire.

**DO NOT** use screws more than 1/2 inch in length on the lower access cover panel. Longer screws may penetrate gas line or damage valve or electrical components.

**Note:** It is acceptable to use a high temperature silicone sealant to adhere drywall to lower access cover panel.

The appliance is designed to be used with a minimum 1/2 in. wall sheathing materials such as drywall, plywood, wood composites, or non-combustible materials. Thicker materials may be used. Refer to facing and finishing details in this manual.

### Facing Material

- Facing and/or finishing materials must never overhang into the glass opening. See finishing details in this manual.
- Facing materials may be combustible or non-combustible

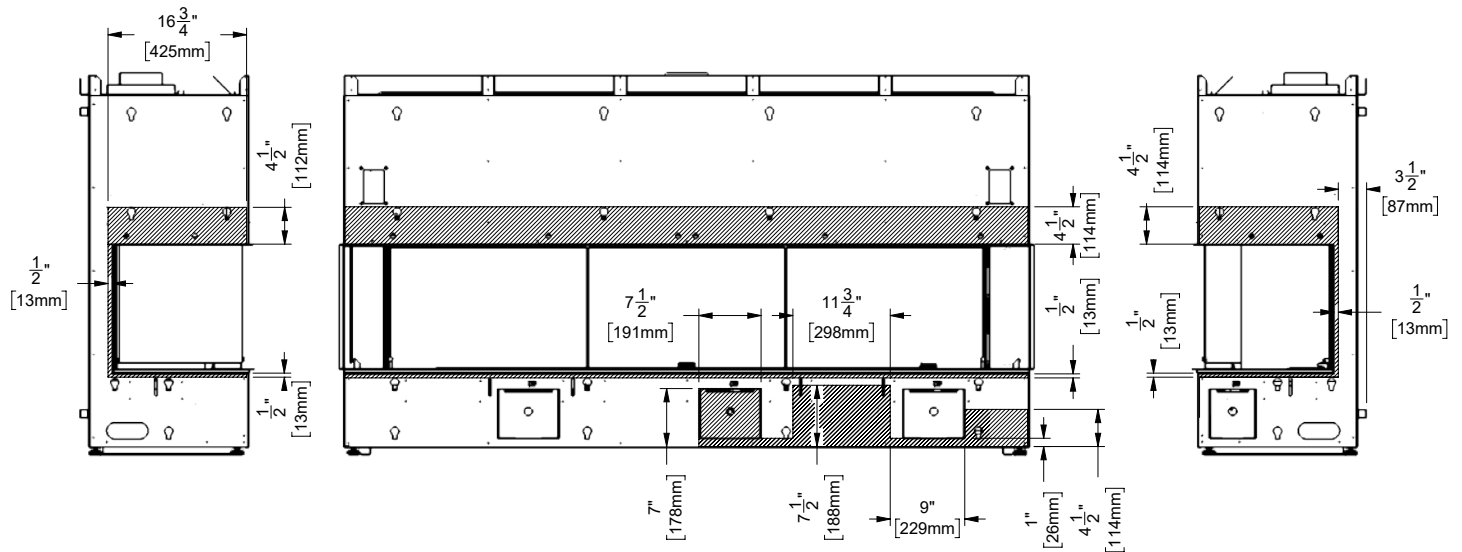
**WARNING!** Risk of Fire! **DO NOT** apply combustible materials beyond the minimum clearances. Comply with all minimum clearances to combustibles as specified in this manual. Overlapping materials could ignite and will interfere with proper operation.

### PAINTING

If desired finishing includes a painted wall, 100% acrylic latex, oil-based or standard acrylic paints may be used. Follow paint manufacturer's instructions for paint and primer application.

## No Screw Zones CB72EPV

No screw zones (in shaded areas) as shown below must be adhered to.





## Framing and Finishing Inset Installations CB72EPV

1. Frame in the enclosure for the unit with framing material

**Note:** When constructing the framed opening ensure there is access to install the gas lines, electrical. Also the wiring harness must be wall mounted using the receptacle provided with the appliance. The wiring harness will be located on the right hand side of the appliance if facing the unit from the front. This must be done prior to any finishing.

2. For exterior walls, insulate the enclosure to the same degree as the rest of the house, apply vapour barrier and drywall, as per local installation codes. (Do not insulate the fireplace itself.)

**WARNING:** Failure to insulate and add vapor barriers to the inside of the exterior wall will result in operational and performance problems including, but not limited to: excessive condensation on glass doors, poor flame package, carbon, blue flames etc. These are not product related issues.

3. To ensure the chase is sealed from the outside wall into the room, all joints on the facing wall **MUST** be sealed, mudded, and taped to finish.

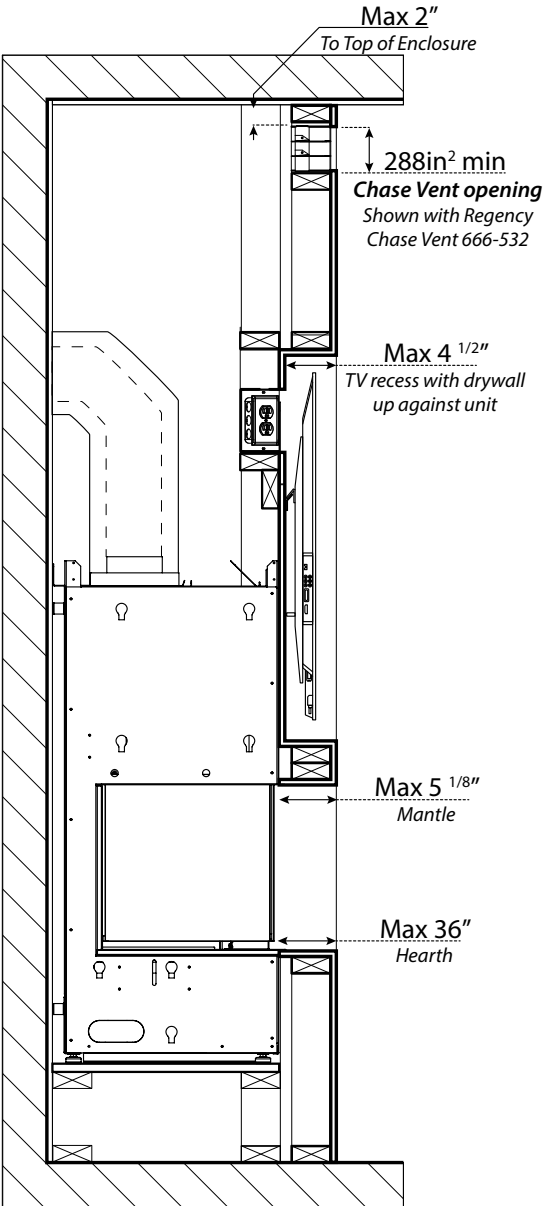
Note that in all applications while there is a zero clearance to combustibles to the unit, all clearances to combustibles from the venting inside the chase still applies. Please see venting clearances in the specific product manual.

4. Combustible material (drywall, wood, wood panels, etc.) may be brought up to the appliance (top, bottom and sides)
5. Ensure that the material being used does not encroach anywhere in the area of the glass. This would cause dangerous operating conditions.
6. This appliance comes with a 1/2" lip at top and bottom to hide the ends of the drywall. The 1/2" side and bottom lip supplied with the appliance can alternatively be removed (see Diagram 1) and replaced with J Style Trim or Metal Corner Bead purchased at your local hardware store to cover cut/exposed edges of the combustible facing material or any other finishing materials being used. 6 screws secure the bottom lip — see Diagram 1. These will be hidden so the outer panels will need to be removed to access the screws. See outer panel removal in this manual.
7. This appliance can also be recessed (using combustible materials) with a hearth in front of the appliance. This can also extend to the top. See manual for details.



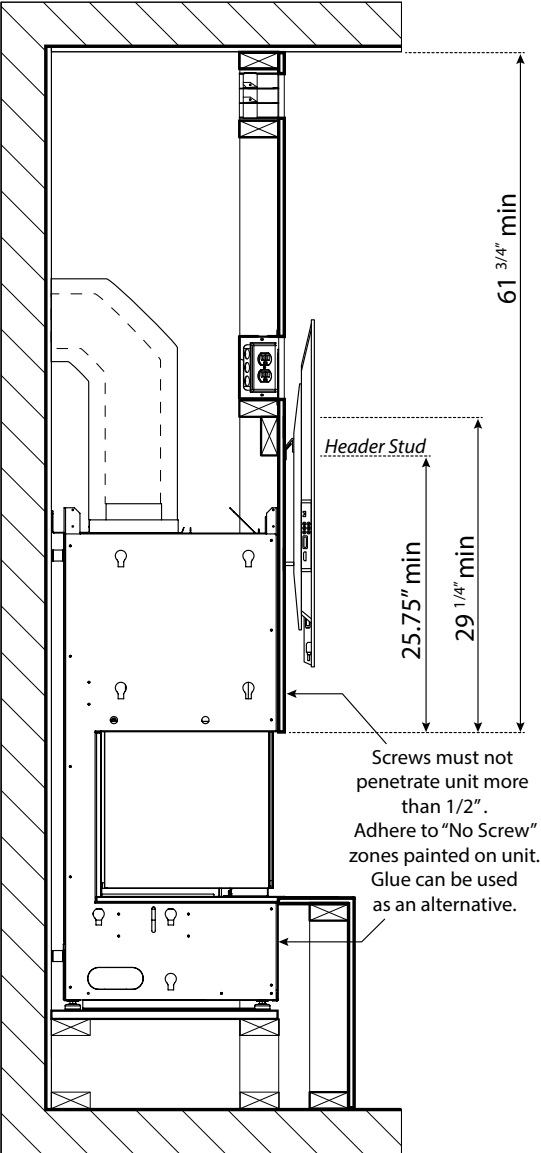
CB72EPV Typical Installations

Maximum TV Recess



4 5/8" maximum TV recess using 1/2" drywall

Flush TV with Heart



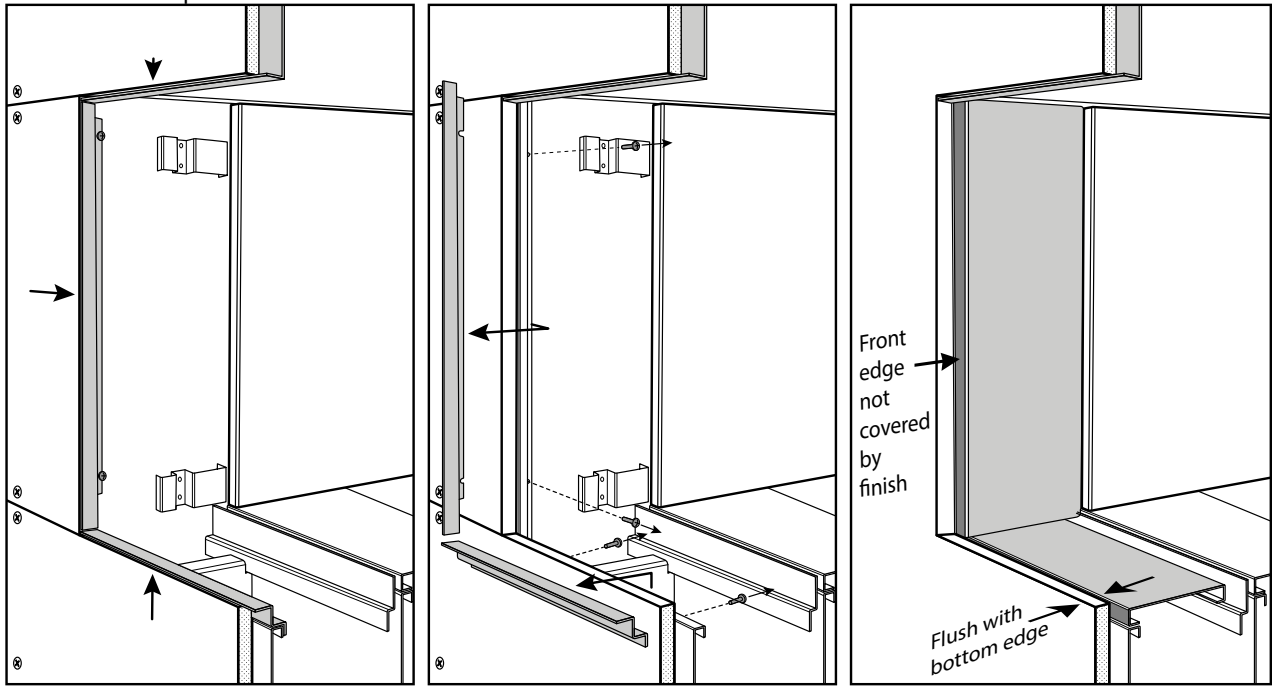
As per CB40 Dealer display

Note: The TV mounting bracket can not be secured directly to the appliance. It must be secured to framing. The TV depicted in the picture may need to be higher depending on the style of TV mounting bracket used. The mounting bracket shown is a simple single strip TV secured to framing.

# installation

## CB72EPV Finishing

Flush Install Example

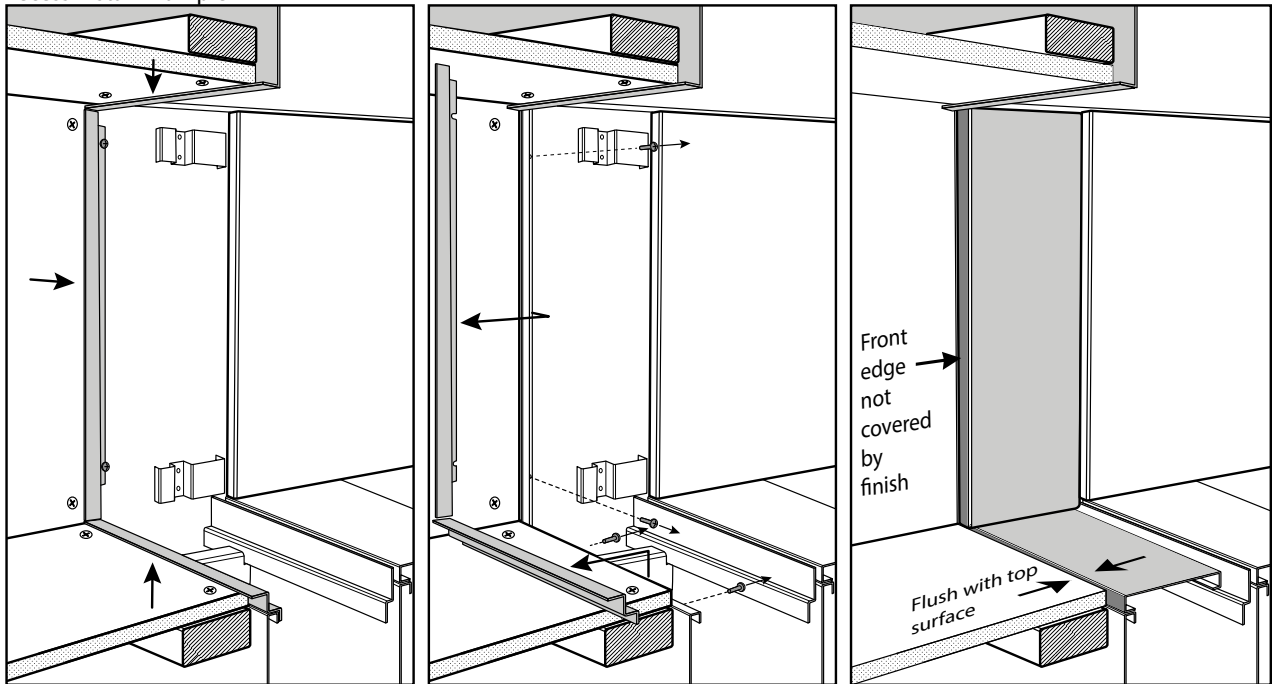


- Finish up to trim on all 4 sides

- Loosen screws using supplied Offset Screwdriver and remove bottom and side trim pieces

- Front edge of side liner panels must not be covered by finishing material or removal of the Firebox Glass will not be possible  
- Bottom edge should be flush with top surface of Inner Liner Panel

Recess Install Example

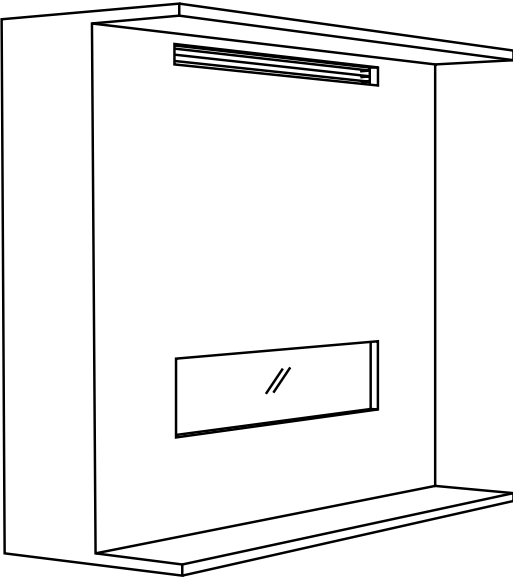


**Chase Venting**

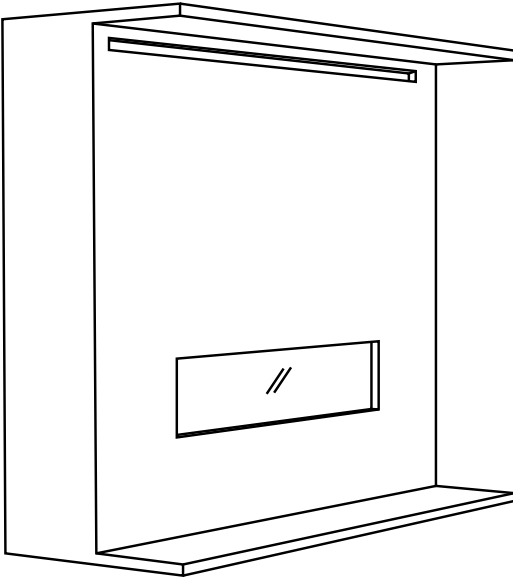
Note: The enclosure opening cannot be any lower than 0-2" from the top of the enclosure for all installations.  
Minimum height of enclosure from base of appliance is 87".

A minimum 288in<sup>2</sup> opening in the enclosure is required to maintain safe operating temperatures.  
This can be achieved in a number of ways including the examples shown below.

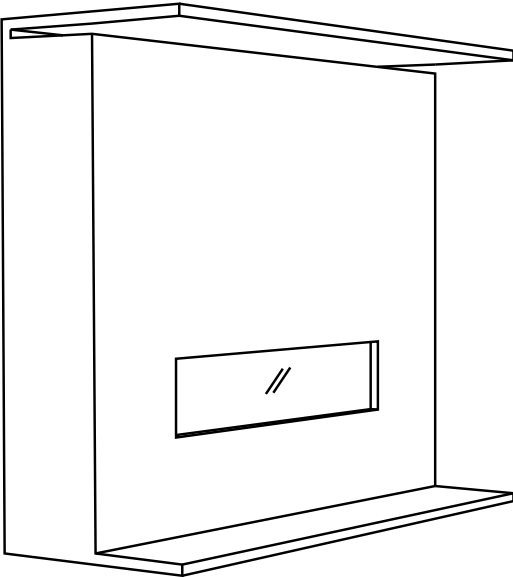
Warning: DO NOT cover or place objects in front of the air outlet(s).



Regency Chase Vent  
Dimensions: 4"x72" (288in<sup>2</sup>)



Custom chase vent  
Example dimensions: 2.5"x116" (290in<sup>2</sup>)



Reveal at the chase top  
Example dimensions: 2"x160" (320in<sup>2</sup>)

# installation

## Wall Mount On / Off Switch and Battery Holder Installation Required for all installations

### IMPORTANT INSTALLATION NOTE:

The Battery Holder must be placed inside the supplied (Low Voltage) junction type wall box and installed into the wall only.

### **DO NOT INSTALL WITHIN THE CONFINES OF THE FIREPLACE SWITCH MUST BE ACCESSIBLE**

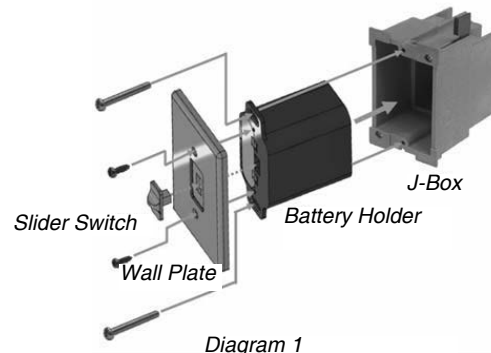
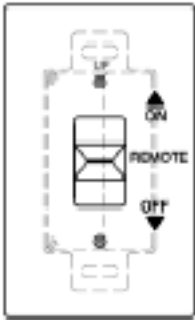
#### **Battery Holder Installation**

1. Install the low voltage junction box to the framing, at desired location within 11-1/2 ft. from fireplace.
2. Feed the 6 pin connector wiring harness through the opening at back of junction box. The wiring harness is located on the right hand side and must be installed prior to finishing.
3. Connect the 6 pin connector to the back of the Battery Holder.
4. Install the Battery Holder in the Low Voltage Junction box.
5. Insert the 4 AA type batteries in the battery compartment with the correct polarity.
6. Place the slider into the cover plate.
7. Put the Battery Holder switch in the "OFF" position, to allow correct lineup for slider switch.
8. Make sure the Battery Holder and cover plate words "ON" and "UP" are on the same side.
9. Align the slider with the switch on the Battery Holder and couple the switch into the slider.
10. Align the screw holes.
11. Using the two (2) screws provided secure the cover plate to the Battery Holder.
12. For coding instructions, see full details in this manual.

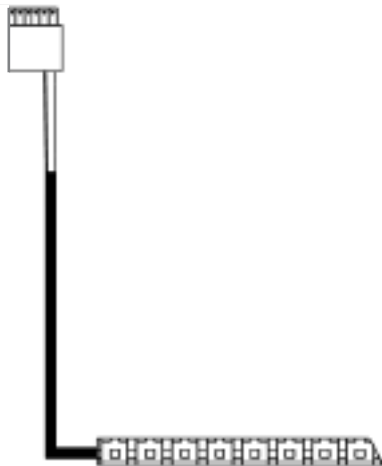


*Low Voltage Junction Box*

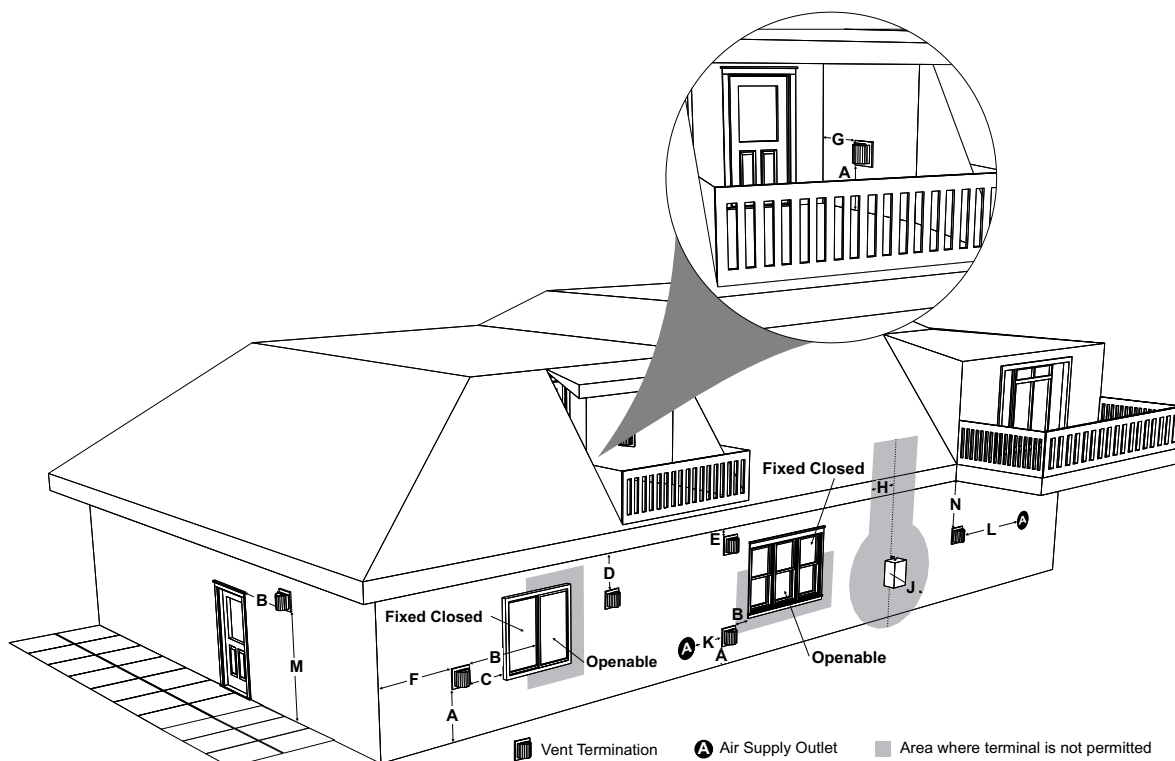
#### **Proflame Battery Holder**



*Diagram 1*



Exterior Vent Termination Locations



	Minimum Clearance Requirements	Canada <sup>1</sup>	USA <sup>2</sup>
A	Clearance above grade, veranda, porch, deck, or balcony	12"(30cm)	12"(30cm)
B	Clearance to window or door that may be opened	12"(30cm)	9" (23cm)
C	Clearance to permanently closed window	*	*
D	Vertical clearance to ventilated soffit located above the terminal within a horizontal distance of 2 feet (61cm) from the center line of the terminal (check with the local code)	29"(74cm)	29"(74cm)
E	Clearance to unventilated soffit	20"(51cm)	20"(51cm)
F	Clearance to outside corner: with <b>PowerVent</b> Termination Cap.	7"(18cm)	7"(18cm)
G	Clearance to inside corner: with <b>PowerVent</b> Termination Cap	7"(18cm)	7"(18cm)
H	Clearance to each side of center line extended above meter/regulator assembly	36"(90cm) <sup>a</sup>	*
J	Clearance to service regulator vent outlet	36"(90cm)	*
K	Clearance to non-mechanical air supply inlet to building or the combustion air inlet to any other appliance	12"(30cm)	9" (23cm)
L	Clearance to a mechanical air supply inlet #3' (91cm) above if within 10' (3m) horizontally.	72"(1.8m)	36"(90cm) <sup>b</sup>
M	Clearance above paved sidewalk or a paved driveway located on public property	84"(2.1m) <sup>†</sup>	*
N	Clearance under veranda, porch, deck, or balcony	12"(30cm) <sup>‡</sup>	*

<sup>1</sup> In accordance with current CSA B149.1, *Natural Gas and Propane Installation Code*

<sup>2</sup> In accordance with the current ANSI Z223.1/NFPA 54, *National Fuel Gas Code*

A vent shall not terminate directly above a sidewalk or paved driveway which is located between two single family dwellings and serves both dwellings

<sup>†</sup> Permitted only if veranda, porch, deck, or balcony is fully open on a minimum of two sides beneath the floor

\* Clearance in accordance with local installation codes and the requirements of the gas supplier

<sup>a</sup> 3 feet (91cm) within a height of 15 feet (4.5m) above the meter / regulator assembly

<sup>b</sup> 3 feet (91cm) above - if within 10 feet (3m) horizontally

# installation

## Venting Arrangements for Horizontal Terminations

**RIGID PIPE: MUST USE RIGID PIPE ADAPTOR 770-994 AND 946-606 PIPE REDUCER TO 4" X 6 5/8"**

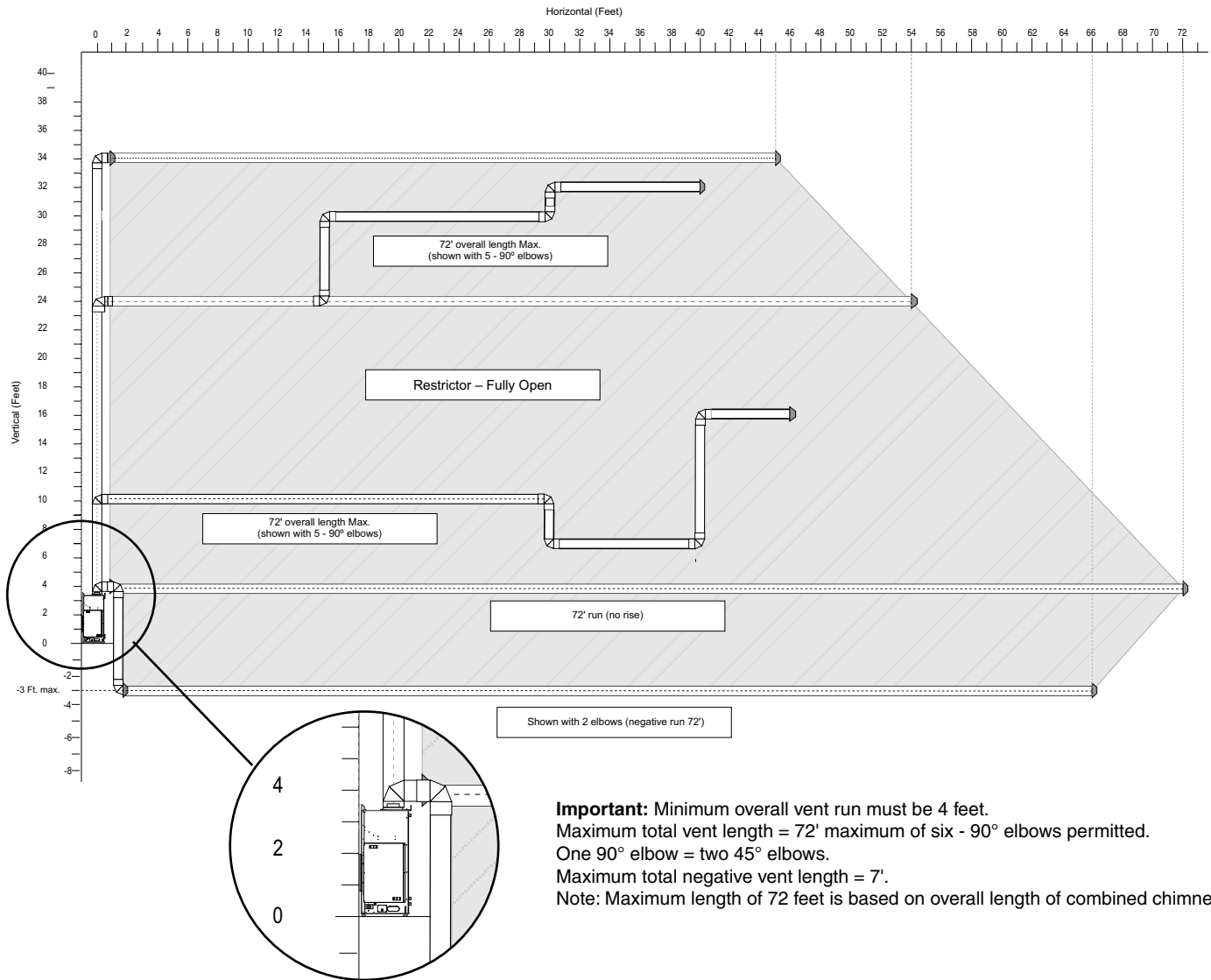
Note: Rigid pipe is approved for up to 72 feet.

**FLEX VENT: MUST USE REDUCER 946-758 TO 4" X 6 5/8"**

Note: Flex pipe is approved for up to 40 feet using 2 X 946-756-- 20 foot flex kits.

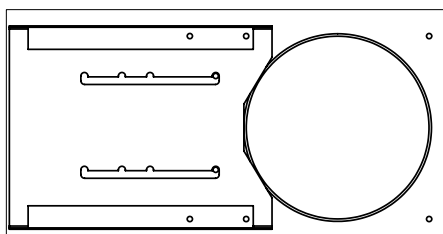
The gas power vent system is designed to allow the installation of a gas appliance when typical vent configurations (shown in this manual) are not possible.

**Note:** The CB72EPV comes with a 5" inner and 8" outer collar which must be reduced to 4" x 6 5/8" in all applications. Must be terminated horizontally. Vertical terminations are not permitted.



## Vent Restrictor Position

No Vent Restrictor Required for the CB72EPV



Set 0  
 Fully open  
 Factory Set



### 4"x 6-5/8" Rigid Pipe Cross Reference Chart

Components from different Manufacturers may not be mixed. Not All Rigid Pipe components are available directly from FPI.

Description	Simpson Direct Vent Pro®	*Selkirk Direct Temp™	*American Metal Products® Amerivent Direct	*Metal-Fab™ Sure Seal	*Security Secure-Vent®	*ICC Excel Direct	*Olympia Ventis DV*
6" Pipe Length-Galvanized	46DVA-06	4DT-6	N/A	4D6	SV4L6	TC-4DL6	VDV-0406
6" Pipe Length-Black	46DVA-06B	4DT-6B	N/A	4D6B	SV4LB6	TC-4DL6B	VDVB-0406
7" Pipe Length-Galvanized	N/A	N/A	4D7	N/A	N/A	N/A	N/A
7" Pipe Length-Black	N/A	N/A	4D7B	N/A	N/A	N/A	N/A
9" Pipe Length-Galvanized	46DVA-09	4DT-9	N/A	N/A	N/A	TC-4DL9	VDV-0409
9" Pipe Length-Black	46DVA-09B	4DT-9B	N/A	N/A	N/A	TC-4DL9B	VDVB-0409
12" Pipe Length-Galvanized	46DVA-12	4DT-12	4D12	4D12	SV4L12	TC-4DL1	VDV-0412
12" Pipe Length-Black	46DVA-12B	4DT-12B	4D12B	4D12B	SV4LB12	TC-4DL1B	VDVB-0412
18" Pipe Length-Galvanized	46DVA-18	4DT-18	4D18	4D18	SV4LA	TC-4DL18	VDV-0418
18" Pipe Length-Black	46DVA-18B	4DT-18B	4D18B	4D18B	SV4LA	TC-4DL18B	VDVB-0418
24" Pipe Length-Galvanized	46DVA-24	4DT-24	4D24	4D24	SV4L24	TC-4DL2	VDV-0424
24" Pipe Length-Black	46DVA-24B	4DT-24B	4D24B	4D24B	SV4LB24	TC-4DL2B	VDVB-0424
36" Pipe Length-Galvanized	46DVA-36	4DT-36	4D36	4D36	SV4L36	TC-4DL3	VDV-0436
36" Pipe Length-Black	46DVA-36B	4DT-36B	4D36B	4D36B	SV4LB36	TC-4DL3B	VDVCB-0436
48" Pipe Length-Galvanized	46DVA-48	4DT-48	4D48	4D48	SV4L48	TC-4DL4	VDV-0448
48" Pipe Length-Black	46DVA-48B	4DT-48B	4D48B	4D48B	SV4LB48	TC-4DL4B	VDVB-0448
60" Pipe Length-Galvanized	46DVA-60	4DT-60	N/A	N/A	N/A	N/A	N/A
60" Pipe Length-Black	46DVA-60B	4DT-60B	N/A	N/A	N/A	N/A	N/A

Adjustable Length 3"-10"-Galvanized	N/A	N/A	N/A	4DAL	N/A	TC-4DLT	N/A
Adjustable Length 3"-10"-Black	N/A	N/A	N/A	4DALB	N/A	TC-4DLTB	N/A
Adjustable Length 7"-Galvanized	N/A	N/A	4D7A	N/A	N/A	N/A	N/A
Adjustable Length 7"-Black	N/A	N/A	4D7AB	N/A	N/A	N/A	N/A
Extension Pipe 8-1/2"-Galvanized	46DVA-08A	N/A	N/A	N/A	N/A	N/A	N/A
Extension Pipe 8-1/2"-Black	46DVA-08AB	N/A	N/A	N/A	N/A	N/A	N/A
Adjustable Length 12"-Galvanized	N/A	N/A	4D12A	N/A	SV4LA12	TC-4dLSI	N/A
Adjustable Length 12"-Black	N/A	N/A	4D12A	N/A	SV4LBA12	TC-4dLSIB	N/A
Extension Pipe 16"-Galvanized	46DVA-16A	N/A	N/A	N/A	N/A	N/A	N/A
Extension Pipe 16"-Black	46DVA-16AB	N/A	N/A	N/A	N/A	N/A	N/A

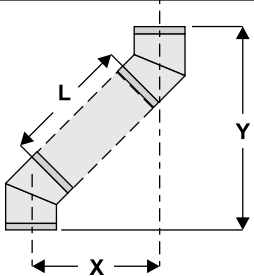
45° Elbow-Galvanized	46DVA-E45	4DT-EL45	4D45L	N/A	N/A	TE-4DE45	VDV-EL0445
45° Elbow-Black	46DVA-E45B	4DT-EL45B	4DT-EL45B	N/A	N/A	TE-4DE45B	VDVB-EL0445
45° Elbow Swivel-Galvanized	See 46DVA-E45	N/A	N/A	4D45L	SV4E45	N/A	N/A
45° Elbow Swivel-Black	See 46DVA-E45B	N/A	N/A	4D45LB	SV4EB45	N/A	N/A
90° Elbow-Galvanized	46DVA-E90	4DT-EL90S	4DT-EL90S	N/A	N/A	TE-4DE90	VDV-EL0445
90° Elbow-Black	46DVA-E90B	4DT-EL90SB	4DT-EL90SB	N/A	SV4EBR90-1	TE-4DE90B	VDVB-EL0445
90° Elbow, Swivel-Galvanized	See 46DVA-E90	N/A	N/A	4D90L	SV4E90-1	N/A	N/A
90° Elbow, Swivel-Black	See 46DVA-E90B	N/A	N/A	4D90LB	SV4EB90-1	N/A	N/A
90° Starter Elbow, Swivel-Galvanized	N/A	N/A	N/A	4D90A	N/A	N/A	N/A
Adaptor*	N/A	N/A	N/A	4D90L	N/A	N/A	VDV-UAA04

Ceiling Support	N/A	4DT-CS	4DSP	4DFSP	SV4SD	TM4-RDS	VDV-SCR04
Cathedral Support Box	46DVA-CS	4DT-CSS	4DRSB	4DRS	SV4CSB	TM4-SDS	VDV-CSS04
Wall Support/Band	46DVA-WS	4DT-WS/B	4DWS	4DWS	SV4BM	TM-SWS	VDV-WS04
Offset Support	46DVA-ES	4DT-OS	N/A	N/A	SV4SU	TM-SOS	N/A
Wall Thimble-Black	46DVA-WT	4DT-WT	4DWT	4DWT	SV4RSM	N/A	VDV-WPT04
Wall Thimble Cover/Ceiling Support	46DVA-DC	N/A	N/A	N/A	SV4PF	N/A	N/A
Firestop Spacer	46DVA-FS	4DT-FS	4DFSP	4DFS	SV4BF	TM-4CS	VDV-FS04
Trim Plate-Black	N/A	4DT-TP	4DFPB	4DcP	SV4LA	TM-4TP	VDV-WTC04

\* Not available from Regency

# installation

Description	Simpson Direct Vent Pro®	Selkirk Direct Temp™	American Metal Products® Amerivent Direct	Metal-Fab™ Sure Seal	Security Secure-Vent®	ICC Excel Direct	Olympia Ventis DV*
Attic Insulation Shield 12"	46DVA-IS N/A@ FPI	N/A	4DAIS12	N/A	SV4RSA	N/A	VDV-AIS04
Attic Insulation Shield - Cold Climates 36"	N/A	N/A	4DAIS12	N/A	N/A	TM-4AS	N/A
Wall Firestop	46DVA-WFS	N/A	N/A	N/A	N/A	TM-4TR	VDV-FS04

Offset Pipe Selection: Use this table to determine offset pipe lengths.			
Pipe Length (L)	4" x 6-5/8" Venting		
	Run (X)	Rise (Y)	
0" (0mm)	4-7/8" (124mm)	13-7/8" (340mm)	For specific instructions on venting components - visit the manufacturers website listed below. Simpson Direct Vent Pro: <a href="http://www.duravent.com">www.duravent.com</a> Selkirk Direct-Temp: <a href="http://www.selkirkcorp.com">www.selkirkcorp.com</a> American Metal Products: <a href="http://www.americanmetalproducts.com">www.americanmetalproducts.com</a> Metal-Fab Sure Seal: <a href="http://www.mtfab.com">www.mtfab.com</a> Security Secure Vent: <a href="http://www.securitychimneys.com">www.securitychimneys.com</a> Industrial Chimney Company: <a href="http://www.icc-rsf.com">www.icc-rsf.com</a> Olympia Ventic DV: <a href="http://www.olympiachimney.com">www.olympiachimney.com</a>
6" (152mm)	8" (203mm)	16-1/2" (419mm)	
9" (229mm)	10-1/8" (257mm)	18-5/8" (473mm)	
12" (305mm)	12-1/4" (311mm)	20-3/4" (527mm)	
24" (610mm)	20-5/8" (524mm)	29-1/8" (740mm)	
36" (914mm)	29" (737mm)	37-1/2" (953mm)	
48" (1219mm)	37-7/16" (951mm)	45-15/16" (1167mm)	

**Note:** Horizontal runs of vent must be level, or have a 1/4" rise for every 1 foot of run towards the termination.  
 Never allow the vent to run downward - this could cause high temperatures and may present a possible fire hazard.

**Horizontal Terminations**

**Rigid Pipe 4" x 6-5/8"**

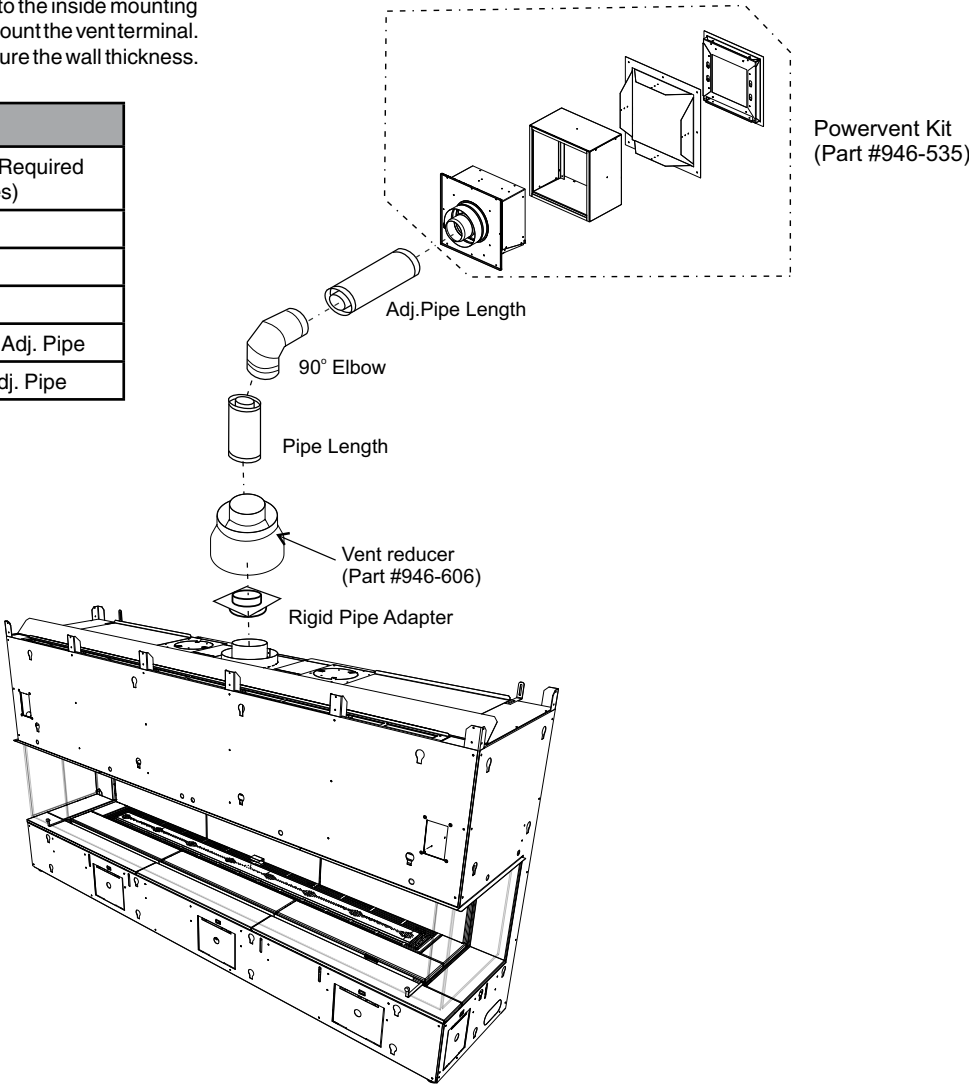
The minimum components required for a basic horizontal termination are:

- 1 Power Vent Kit
- 1 Rigid Pipe Adaptor
- 1 Vent Reducer
- 1 Length of pipe to suit wall thickness and total vent run (see Table 1)

Wall thickness is measured from the back standoffs to the inside mounting surface of termination cap. Create a level surface to mount the vent terminal. The Terminal must not be recessed into siding. Measure the wall thickness.

Flat Wall Installation	
Wall Thickness (inches)	Vent Length Required (inches)
4" - 5-1/2"	6"
7" - 8-1/2"	9"
10" - 11-1/2"	12"
9" - 14-1/2"	11" - 14-5/8" Adj. Pipe
15" - 23-1/2"	17" - 24" Adj. Pipe

Table 1



# installation

## Unit Installation with Horizontal Termination

### 4" x 6-5/8" venting (Rigid Vent Systems)

#### Minimum Vent Clearances to Combustibles

\* Clearances noted below must be maintained; except when passing through a wall, ceiling or at the termination where the use of a firestop or wall thimble reduces clearance to 1-1/2" (38mm).

Horizontal Top*	3" (76mm)*
Horizontal Side	2" (51mm)
Horizontal Bottom	2" (51mm)
Vertical Vent	2" (51mm)

Below are the recommended framing dimensions (inside measurements) for the 4" x 6-5/8" rigid vent terminations - for use with a firestop or wall thimble.

Recommended Framed Opening Size	
Vent Size	Framing Size
4" x 6-5/8"	13-1/2" x 13-1/2"

Install the vent system according to the manufacturer's instructions included with the components.

1. Set the unit in its desired location. Check to determine if wall studs or roof rafters are in the way when the venting system is attached. If this is the case, you may want to adjust the location of the unit. Rough in the gas preferably on the right side of the unit and the electrical (junction block is on the left side) on the left.
2. Direct Vent pipe and fittings are designed with special twist-lock connections to connect the venting system to the appliance flue outlet. A twist-lock appliance adaptor is required.
3. In conjunction with the Approved Vent system, install the adaptor after the unit is set in its desired location. Put a bead of Mill-Pac inside the outer section of the adapter and a bead of Mill-Pac on the inner collar. Slip the adapter over the existing inner and outer flue collar. Fasten to the outer collar only with the 3 supplied screws (drilling pilot holes will make this easier).
4. Level the fireplace and fasten it to the framing using nails or screws through the top and side nailing strips.

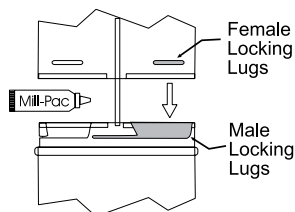


Diagram 1

5. Assemble the desired combination of pipe and elbows to the appliance adaptor and twist-lock for a solid connection.

**Note:** For best results and optimum performance with each approved venting system, it is highly recommended to apply Mill-Pac sealant (supplied) to every inner pipe connection. Failure to do so may result in drafting or performance issues not covered under warranty.

**Horizontal runs of vent must be supported every 3 feet (0.9meter). Wall straps are available for this purpose.**

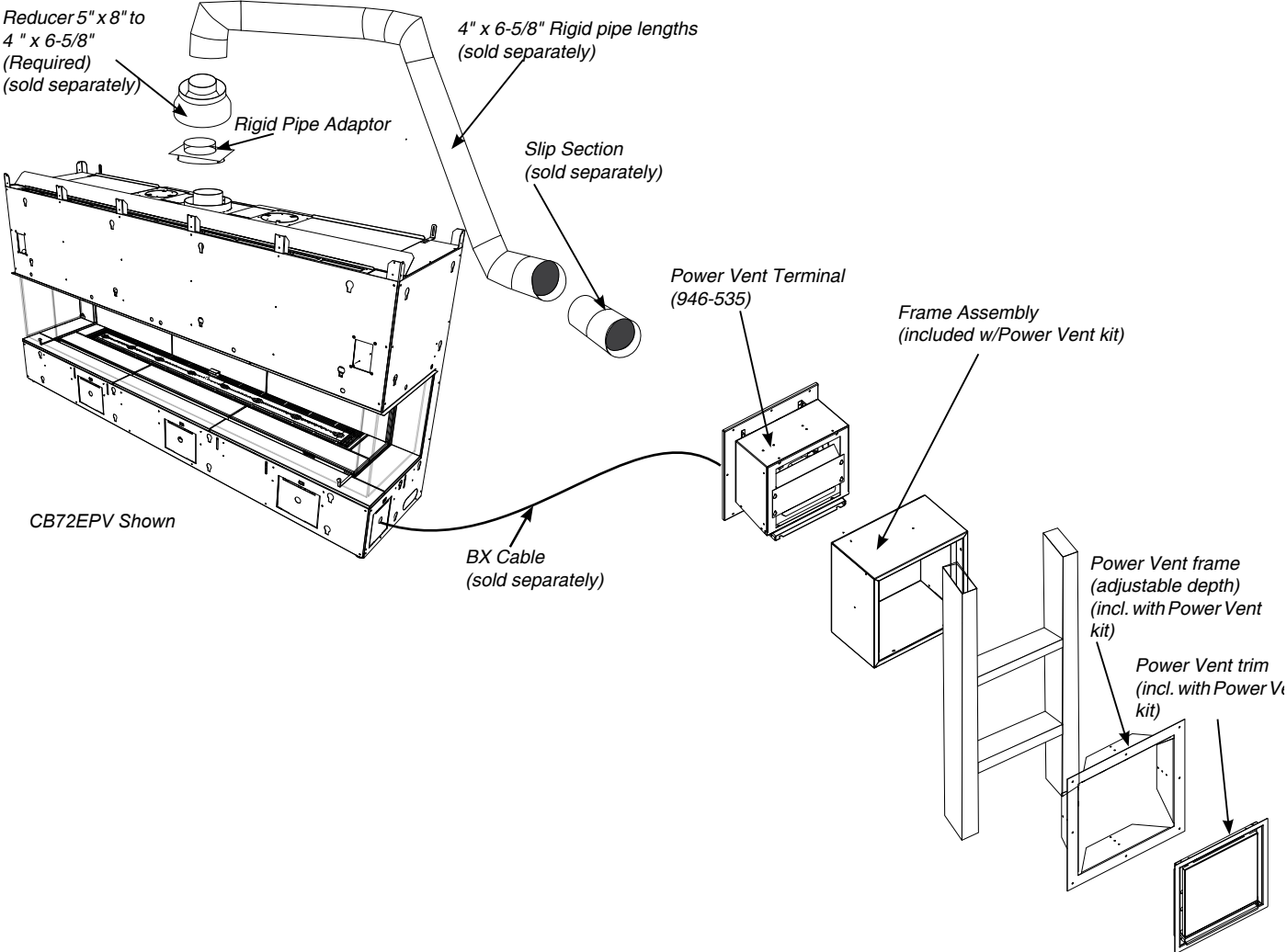
6. Mark the wall for a square hole.-see chart to left for size. The center of the square hole should line up with the center-line of the horizontal pipe. Cut and frame the square hole in the exterior wall where the vent will be terminated. See diagram 2 for center line requirements.

## Gas Power Vent Installation CB72EPV - Rigid Pipe

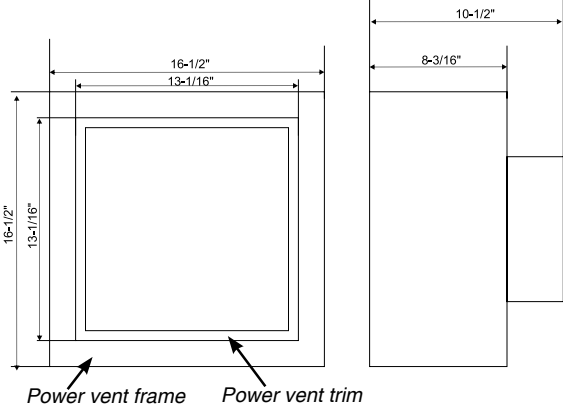
The Power Vent System is a Direct Vent Terminal designed to allow installation of gas appliances where typical vent configurations cannot be achieved.

These installation instructions must be used in conjunction with the appliance and appropriate Power Vent components installation instructions. 120 Volt power supply is required to operate this system.

Models Equipped with Surefire Ignition  
 The Power Vent system can only be used with units that have been tested with the Regency Power Vent system.  
 Downward vertical vent runs are permitted with the Surefire Ignition system. See vent configuration in unit manual.



946-535 Power Vent Kit with Vent Terminal			
1	770-994	Rigid Pipe adaptor	sold separately
1	946-606	Reducer (required)	sold separately
1		Power Vent Fan	included w/Power Vent kit
1		Power Vent Frame	included w/Power Vent kit
1	911-250/P	45' 5-wire BX cable or	sold separately
1	911-251/P	90' 5-wire BX cable	sold separately
	amount required for install	4" x 6-5/8" Rigid Pipe	sold separately
1	946-535	Power Vent Kit	sold separately



# installation

## Unit Installation with Horizontal Termination

### 4" X 6-5/8" VENTING (Flex Vent Systems)

#### Minimum Vent Clearances to Combustibles

\* Clearances noted below must be maintained; except when passing through a wall, ceiling or at the termination where the use of a firestop or wall thimble reduces clearance to 1-1/2" (38mm).

Horizontal Top*	3" (76mm)*
Horizontal Side	2" (51mm)
Horizontal Bottom	2" (51mm)
Vertical Vent	2" (51mm)

Below are the recommended framing dimensions (inside measurements) for the 4" x 6-5/8" rigid vent terminations - for use with a firestop or wall thimble.

Recommended Framed Opening Size	
Vent Size	Framing Size
4" x 6-5/8"	13-1/2" x 13-1/2"

1. Locate the unit in the framing, rough in the gas (preferably on the right side of the unit). Locate the centerline of the termination and mark wall accordingly. Cut an square hole in the wall - see chart (inside dimension).
2. Level the fireplace and fasten it to the framing using nails or screws through the nailing strips.
3. Assemble the vent assembly by applying Mill Pac to the inner flue collar of the termination and slipping the inner flex liner over it at least 1-3/8" (35mm). Fasten with the 3 screws (drilling pilot holes will make this easier). Apply Mill-Pac to the outer flex pipe and slip it over the outer flue collar of the vent terminal at least 1-3/8" (35mm) and fasten with the 3 screws.

**NOTE: Horizontal sections must be supported at intervals not exceeding 3 feet (0.9 meter). (Flame picture and performance will be affected by sags in the liner).**

4. Slip the assembled liner and termination assembly through the thimble making sure the termination cap faces up (there are markings on the cap indicating which way is up). This will position the termination cap with proper down slope for draining water. Fasten the cap to the outer wall with the 4 supplied screws.
5. Pull the centre inner and outer flex liner out enough to slip over the flue collars of the fireplace. (You may wish to cut the liner shorter to make it more workable.) Do not bend liner more than 90°. The liners must slip over the collars a minimum of 1-3/8".
6. Apply Mill Pac over the fireplace inner flue collar and slip the inner flex liner down over it and attach with 3 supplied screws.
7. Do the same with the outer flue collar and outer flex liner.
8. Apply a bead of silicone between the thimble and termination and around the outer edge of the terminal at the wall in order to keep the water out.

**IMPORTANT: Do not locate termination hood where excessive snow or ice buildup may occur. Be sure to check vent termination area after snow falls, and clear to prevent accidental blockage of venting system. When using snow blowers, make sure snow is not directed towards vent termination area.**

## Horizontal Terminations

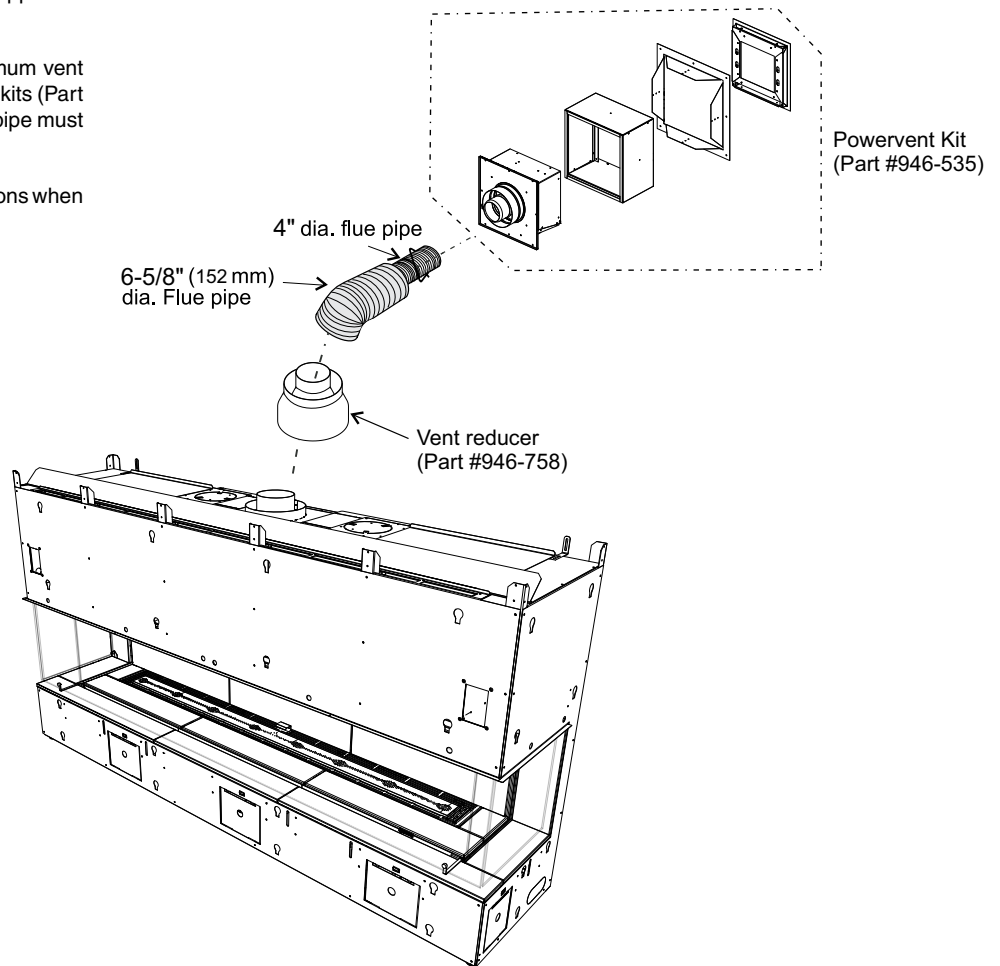
### Flex Vent 4" x 6-5/8"

These venting systems, in combination with the CB72EPV Direct Vent Gas Fireplace, has been tested and listed as a direct vent heater system by Intertek. The location of the termination cap must conform to the requirements in the Vent Terminal Locations diagram in "Exterior Vent Termination Locations" section.

**Regency® Direct Vent (Flex) System Termination Kits include all the parts needed to install the CB72EPV using a flexible vent.**

#### Notes:

1. Only Flex pipe purchased from Regency® may be used for Flex installations
2. Horizontal vent must be supported every 3 feet.
3. Regency® Direct Vent System (Flex) is only approved for horizontal terminations.
4. Flex system can only be used up to a maximum vent length of up to 40 feet using up to 2 x 20 ft flex kits (Part # 946-756). If longer runs are required, rigid pipe must be used.
5. Reducer (946-758) must be used in all applications when using flex venting.



# installation

## Vertical Flue Extension Kit (Approved Models)

## Horizontal Power Vent Kit (CB72EPV, CV72EPV, CB40EPV, CV40EPV & CC40EPV) (Part # 946-756)

### 20 foot Flex pipe Extension

Used in conjunction with the 946-755 Vertical Flex kit for vertical installations or for horizontal installations when using the power vent option only where a maximum of 2 946-756 may be used up to a maximum of 40 feet. Only approved for model # CV72EPV power vent model for any horizontal terminations.

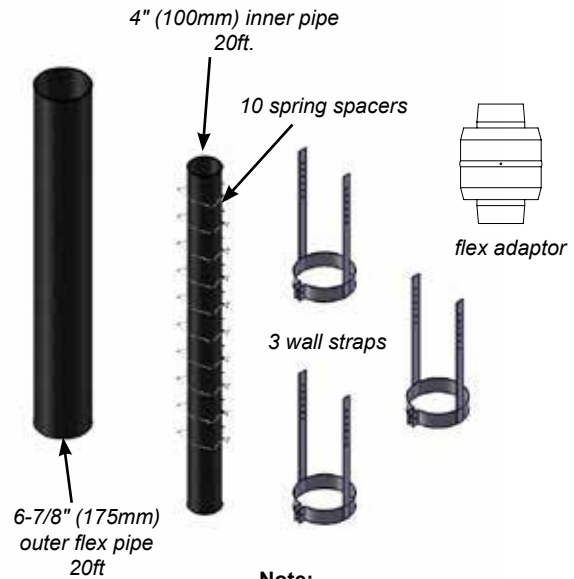
1. Stretch out both inner 4" (100 mm) and outer 6 7/8" (175mm) pipe up to a maximum of 20 feet.

**Note:** The inner and outer pipes may be cut if only a short length is required.

2. Install spring spacers around 4" (100 mm) inner pipe as shown. Slide outer flex pipe over and all the way down the 4" pipe.
3. Apply a bead of Mill Pac around the perimeter of the 4" (100mm) inner collar of the flex adapter and slip the 4" (100mm) inner flex pipe from the Vertical termination kit over the flex adapter ensuring that the inner flex pipe overlaps the collar by at least 1-3/8" (35mm). Fasten with 3 screws.
4. Apply a bead of Mill Pac around the perimeter of the 6-7/8" (175mm) outer collar of the flue adapter and slip it over the 6-7/8" (175 mm) outer flex pipe from the vertical termination kit ensuring that the outer flex pipe overlaps the collar by at least 1-3/8" (35mm). Fasten with the 3 screws.
5. Repeat steps to secure the other end of the flex adapter using the flex kit.
6. See Vertical Vent installation instructions or horizontal power vent installation instructions for installation of the complete vent system.

**Note:** If an offset is necessary in the attic or floor joists it is important to support the vent pipe every 3 feet to avoid excessive stress and sagging of the vent pipe. Wall straps are provided (3 in total) for this purpose.

All round/plumbers strapping may also be used if further supports are required.



**Note:**

CV72E Power vent model Only - The flex adaptor which is included with this kit is only required when joining two of the 946-756 flue extension kits to a maximum of 40 feet. If only 1 - 946-756 20 foot kit is used the flex adaptor is not required.

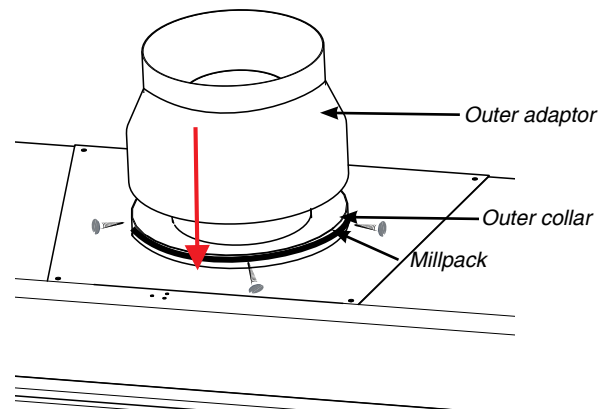
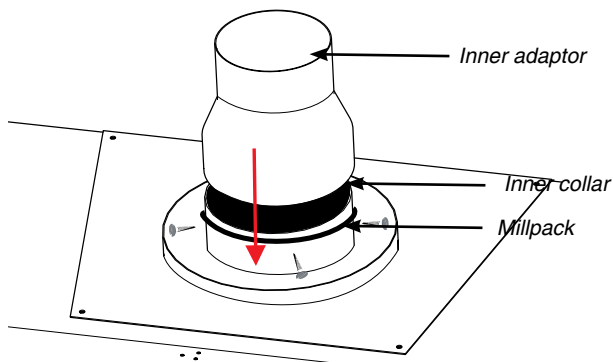


## Top Vent Reducer Installation — from 5" x 8" to 4" x 6-5/8"

Part # 946-758

Used in applications where flex venting is used.

1. Apply a bead of Millpack around the base of the inner vent collar. Slide the inner adaptor over the collar and secure with 3 screws.
2. Apply a bead of Millpack around the base of the outer vent collar. Slide the outer adaptor over the collar and secure with 3 screws.



3. Follow installation instructions for the Flex venting kit.

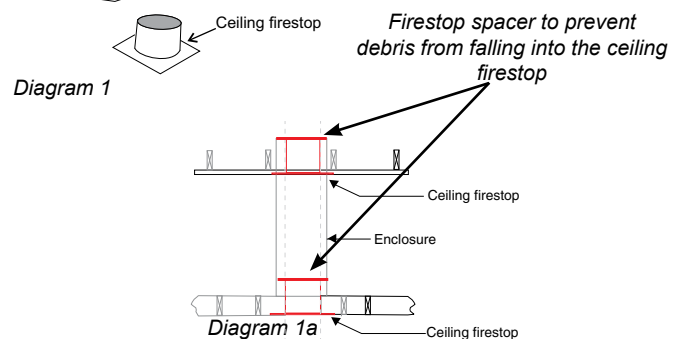
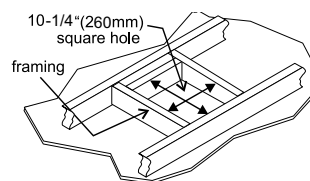
## Ceiling Firestop / Firestop Spacer

### ( PART # 946-757)

Used in conjunction with the 946-755 Vertical flex kit and 946-756 kit Vertical flex extension kit/Horizontal power vent kit.

A ceiling firestop/firestop spacer must be installed when passing through each floor or ceiling level. To install the ceiling firestop/firestop spacer in a flat ceiling or floor joist cut a 10- 1/4 inch square hole. Frame the hole as show in Diagram 1 and install the ceiling firestop. Slide the top attic insulation spacer onto the top of the attic insulation shield/firestop - See Diagram 1a. Secure with 4 screws/nails. If more than one is required, these can be purchased separately.

**Note:** The ceiling firestop/firestop spacer may be cut down to size if this shield is too high for the application.



# installation

## Gas Power Vent Installation CB72EPV - Flex Pipe

The Power Vent System is a Direct Vent Terminal designed to allow installation of gas appliances where typical vent configurations cannot be achieved.

These installation instructions must be used in conjunction with the appliance and appropriate Power Vent components installation instructions. 120 Volt power supply is required to operate this system.

### Models Equipped with Surefire Ignition

The Power Vent system can only be used with units that have been tested with the Regency Power Vent system. Downward vertical vent runs are permitted with the Surefire Ignition system. See vent configuration in unit manual.

Reducer 5" x 8" to 4" x 6-5/8" (Required) (sold separately)

Max. 2 x 20' Flex kits (946-756) (sold separately)

Power Vent Terminal (946-535)

Frame Assembly (included w/Power Vent kit)

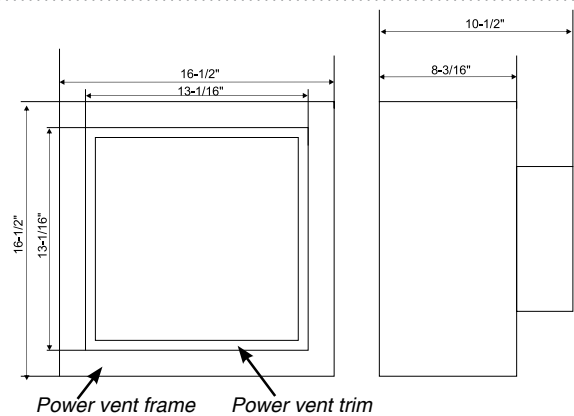
CV72EPV Shown

BX Cable (sold separately)

Power Vent frame (adjustable depth) (incl. with Power Vent kit)

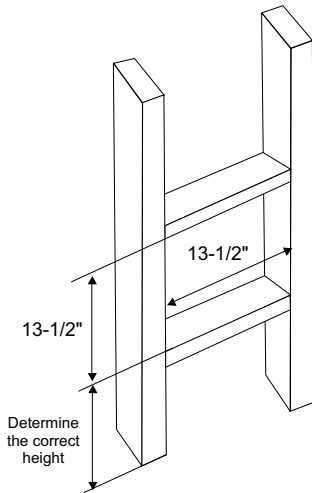
Power Vent trim (incl. with Power Vent kit)

946-535 Power Vent Kit with Vent Terminal			
1	946-758	Reducer (required)	sold separately
2 Max.	946-756	20' Flex Kit	sold separately
1		Power Vent Fan	included w/Power Vent kit
1		Power Vent Frame	included w/Power Vent kit
1	911-250/P	45' 5-wire BX cable or	sold separately
1	911-251/P	90' 5-wire BX cable	sold separately
1	946-535	Power Vent Kit	sold separately



**WARNING**  
**ELECTRICAL CONNECTIONS SHOULD ONLY BE**  
**CARRIED OUT BY A QUALIFIED AND LICENSED**  
**ELECTRICIAN**

1. Frame an opening to the outside of the building at 13-1/2" W x 13-1/2" H to accommodate the Power Vent.



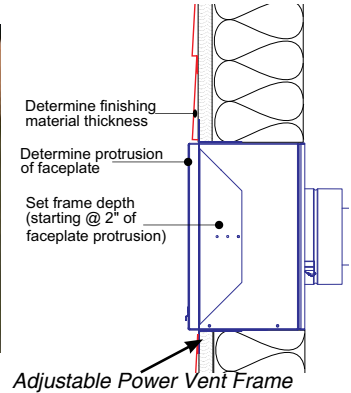
2. Run the venting and BX cable from the unit to the framed opening.
3. Install the strain relief (supplied) to the back of the Power vent mount box.



4. Strip the sheath from the BX cable to expose approximately 8" of exposed wires.
5. Feed the BX cable through the strain relief installed in Step 3.



6. Determine the building finishing material thickness.
7. Depending on the building material thickness, install the frame onto the Power Vent mount using 4 screws. Mounting holes start at 2" from the front of the Power Vent unit cover and can be adjusted back in 3/4" increments.

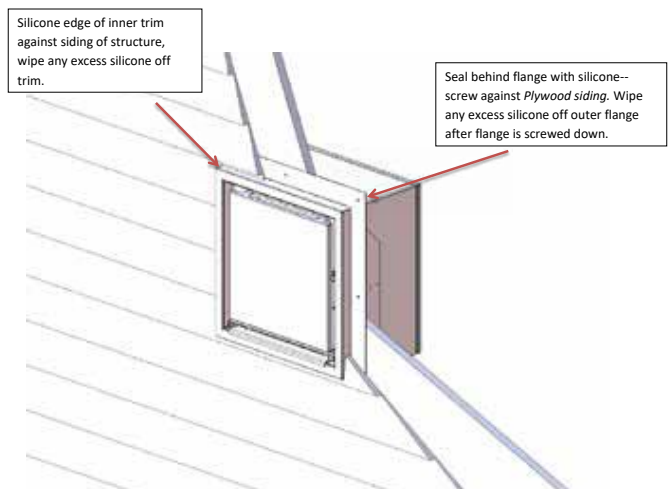


NOTE: Exterior finishes such as thin vinyl siding may warp if closer than 2" from them vent. For interior installations on vinyl siding, a 2" frame/buffer zone must be created between the finishing and the vent.

8. Install Power Vent unit into framed opening using 4 screws as shown below.

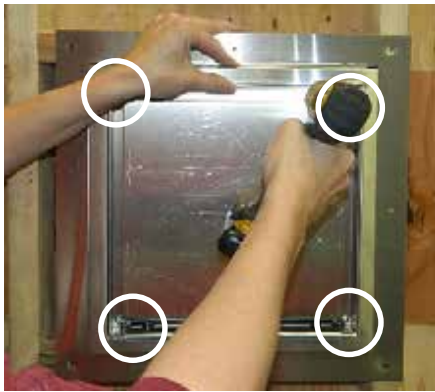


9. Seal the edges of the Power Vent unit to the framing (there are two seams).



# installation

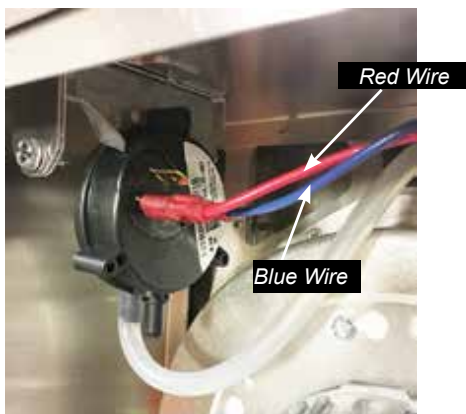
10. Remove front faceplate from Power Vent unit by removing 4 screws as shown below.



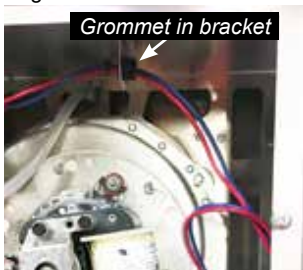
11. Loosen 4 screws in locations shown below, lift rain guard off screws (key hole slots).



12. Inside the Power Vent box--connect the blue and red wires to the pressure switch as shown below.



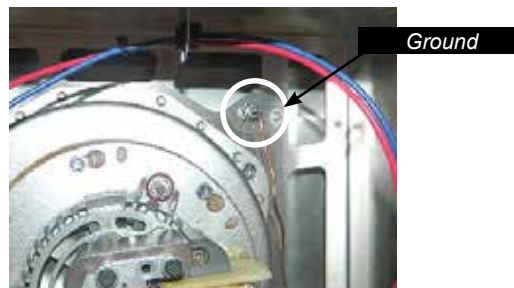
13. Bundle the wires together with the supplied grommet and pop the grommet with wires into the bracket on the roof of the Power Vent box.



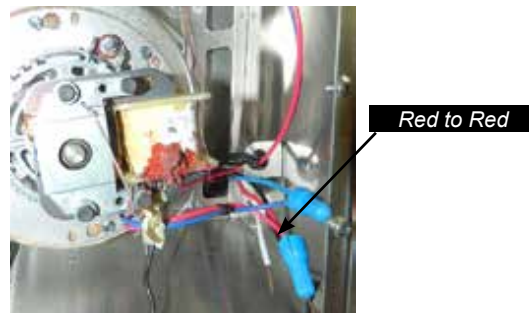
14. Install the second grommet onto the wires and secure grommet and wires into a bracket located on the side of the Power Vent box



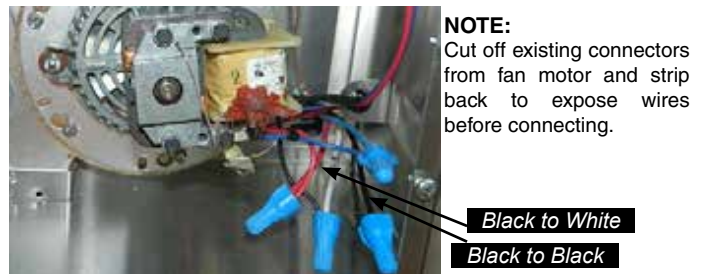
15. Connect ground wire to ground lug located at back of Power Vent box.



16. Connect wires from pressure switch to wires from BX cable--Red to Red and Blue to Blue. Cap paired wires with supplied marrette.



17. Connect remaining wires from Powervent motor to BX cable- Black to Black and Black to White. Cap paired wires with supplied marrette.



**NOTE:**  
Cut off existing connectors from fan motor and strip back to expose wires before connecting.

**NOTE:** After exposure to heat--White wire will appear Yellow -- Blue wires will appear Green.

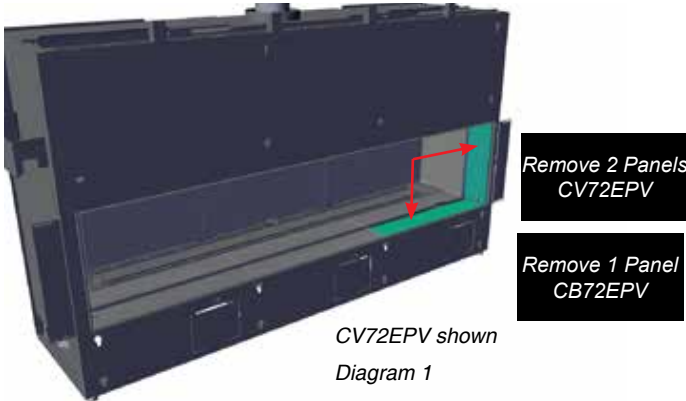
18. Reinstall rain guard and tighten screws.

19. Reinstall front faceplate with 4 screws.

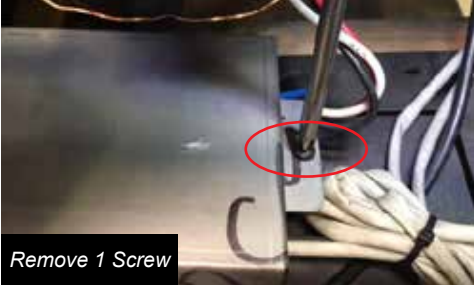
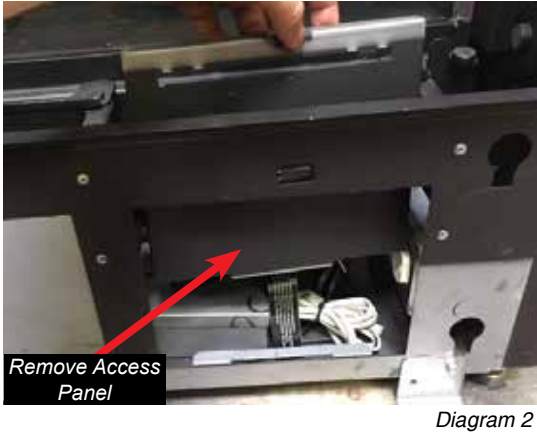
Note: This power vent cap can be serviced externally or internally. If access to the exterior is not possible once installed due to height/location of the termination location, it is highly recommended that an access panel be placed near the rear of the termination inside of the enclosure where the power vent cap is located. The access panel should be large/close enough to be able to service the power vent cap. See maintenance section of manual to see how servicing is completed internally.

Gas Power Vent Installation - Wiring the Power Vent to the Unit

1. Remove exterior side panels and bottom panels (if installed) to gain access to junction box (Diagram 1). Note: only need to remove bottom panel on the CB72EPV.

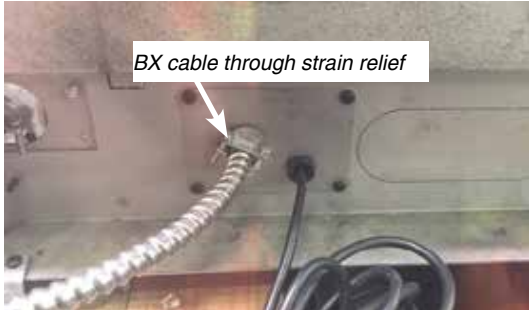
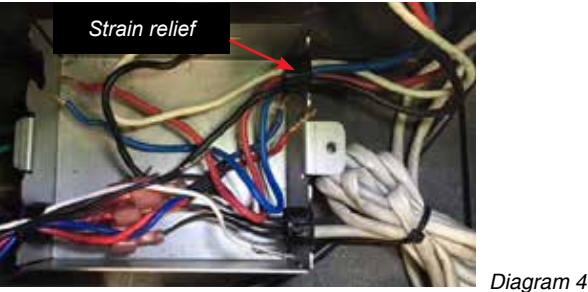


2. Remove access panel by lifting panel up and out (Diagram 2). Unscrew 1



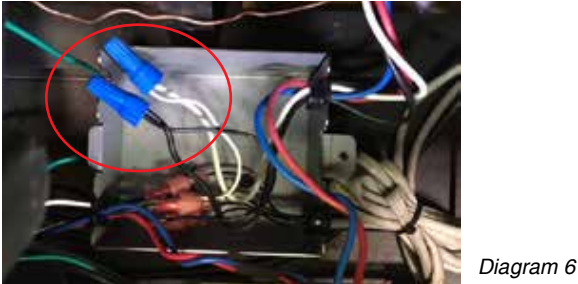
x Phillips head screw to gain access to junction box (Diagram 3).  
3. Strip 24" of BX exposing wires then Run BX through strain relief on right side of the unit into junction box (Diagram 4 & 5).

**Note:** The ground wire must stay out of the junction box as this will be attached



later. Only the 4 colored wires go into the junction box.

4. Join Powervent and BX cable wires together by firstly splicing 1" off wires--



join black to black, white to white (Diagram 6).

5. Join the Pressure switch and BX cable wires by splicing 1" off wires--join



red to red and blue to blue (Diagram 7).

6. After the Power and Pressure switches have been connected, place wired connections into junction box and screw the junction cover plate back in place.

7. Make ground connection by releasing front right glass gasket pad by turning clips counter clockwise (3 total) this will release front right glass gasket pad (Diagram 8).



# installation

8. Attach ground from the BX cable to existing ground located above IFC board (Diagram 9).



*Diagram 9*

9. Once wiring is complete, plug unit into power located on the right side of unit, next to junction box. (Diagram 10)reinstall gasket pad removed in Step 7, reinstall access panel removed in Step 2 and exterior panels removed in Step 1.

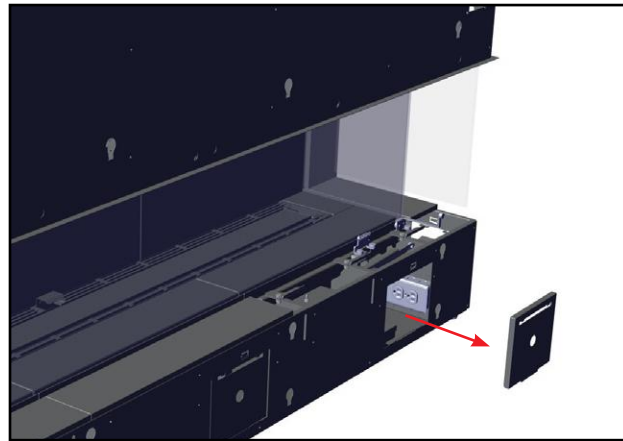
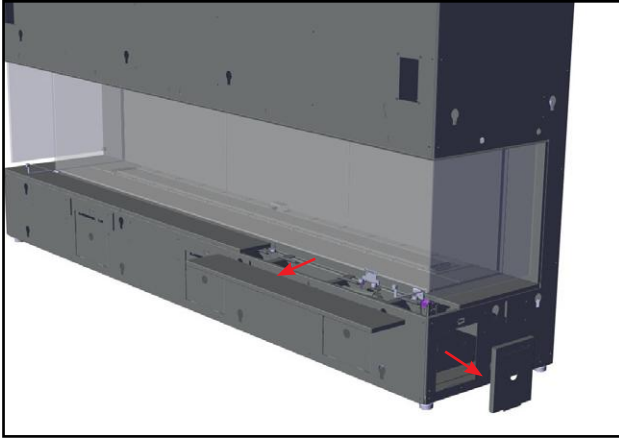


*Diagram 10*

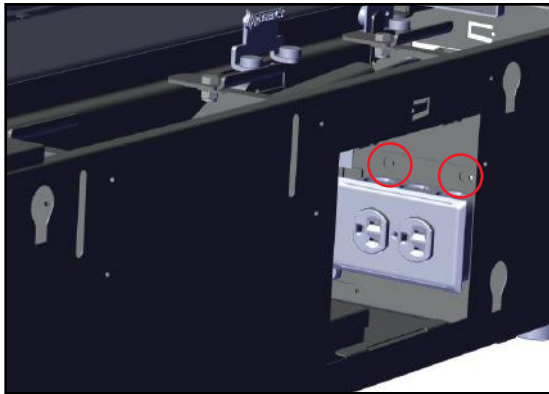
## Wiring the Unit

The wiring for the unit should be completed before any finishing material is installed.

1. Remove the right side and front right access panel--see access panel removal instructions in this manual.

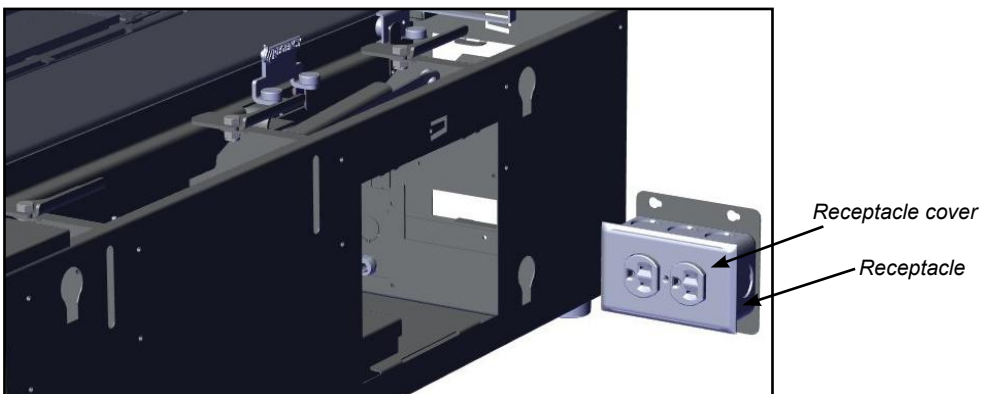


2. Loosen 2 screws in locations shown below.



3. Slide electrical box plate towards the back of the unit and then out.

4. Bring the wiring from inside the wall through the opening created when the plate was removed in the previous step.



5. Wire the electrical box.

**NOTE:** The receptacle and receptacle cover may be located in the manual pack and may need to be installed.

6. Feed any excess wiring into the wall and reinstall the plate onto the wall of the unit.

7. Reinstall electrical box and plate onto screws.

8. Tighten screws to secure.

# installation

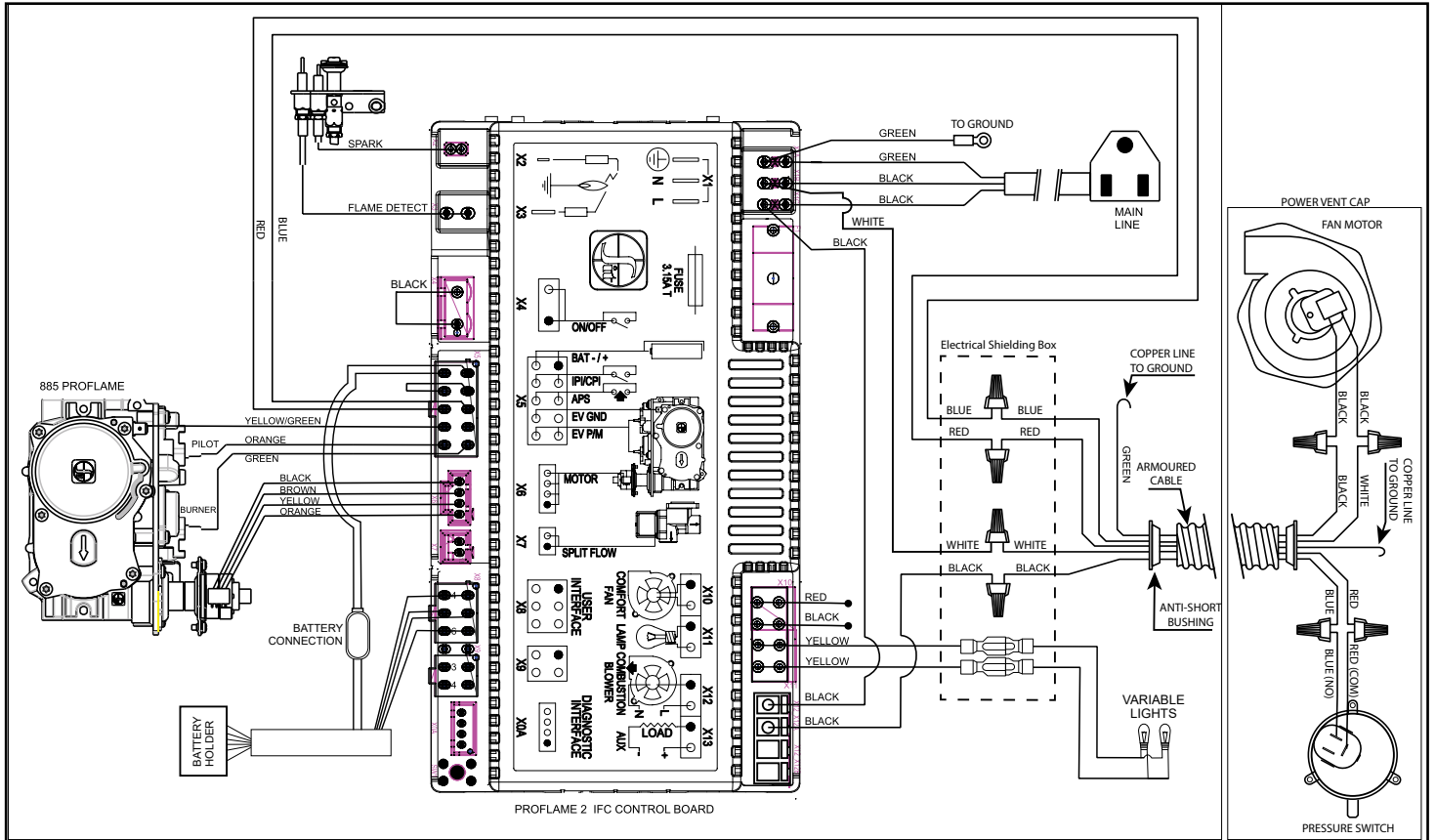
## Wiring Diagrams

120 Volt AC power is required. A receptacle box, receptacle and cover are provided and located on the right hand side of the unit, under the outer base panel.

(Do not cut the ground terminal off under any circumstances.)

**Caution:** Ensure that the wires do not touch any hot surfaces and are away from sharp edges.

Electrical power must be brought to the appliance by a licensed electrician.



**CAUTION:** Label all wires prior to disconnection when servicing controls. Wiring errors can cause improper and dangerous operation.

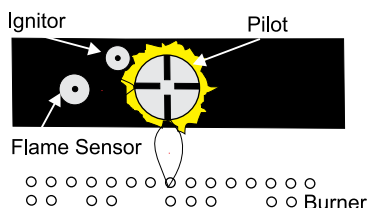
This appliance is equipped with a three-prong (grounding) plug for your protection against shock hazard and should be plugged directly into a properly grounded three-prong receptacle. Do not cut or remove the grounding prong from this plug.



CB72EPV NG SYSTEM DATA	
Max. Supply Pressure	14"WC (3.45 Kpa)
Min. Supply Pressure	5" WC (1.25 kpa)
Manifold Pressure	3.5" WC (0.87 kpa)
Orifice Size	#30 DMS
Maximum Input	46,500 Btu/h (13.63 kW)
Minimum Input	32,000 Btu/h (9.37 kW)

## Pilot Adjustment

Periodically check the pilot flames. Correct flame pattern has two strong blue flames: 1 flowing around the flame sensor and 1 flowing across the burner (it does not have to be touching the burner).



**Note:** If you have an incorrect flame pattern, contact your Regency® dealer for further instructions.

**Incorrect flame pattern will have small, probably yellow flames, not coming into proper contact with the rear burner or flame sensor.**

## Gas Pipe Pressure Testing

The appliance must be isolated from the gas supply piping system by closing its individual manual shut-off valve during any pressure testing of the gas supply piping system at test pressures equal to or less than 1/2 psig. (3.45 kPa). Disconnect piping from valve at pressures over 1/2 psig.

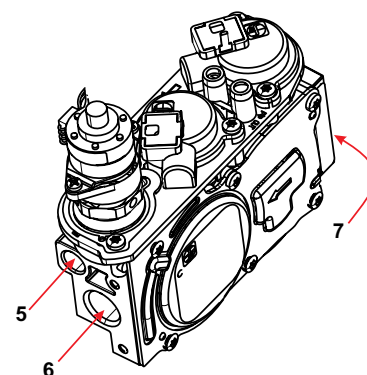
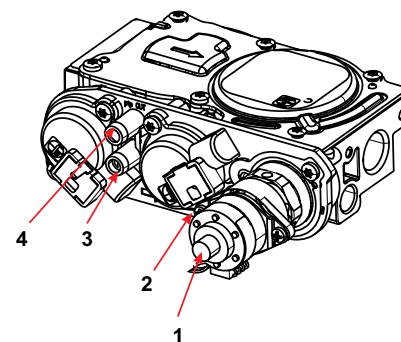
The manifold pressure is controlled by a regulator built into the gas control, and should be checked at the pressure test point.

**Note:** To properly check gas pressure, both inlet and manifold pressures should be checked using the valve pressure ports on the valve.

- 1 Make sure the unit is in the "OFF" position.
- 2 Loosen the "IN" and/or "OUT" pressure tap(s), turning counterclockwise with a 1/8" wide flat screwdriver.
- 3 Attach manometer to "IN" and/or "OUT" pressure tap(s) using a 5/16" ID hose.
- 4 Turn the unit on with the remote or wall switch
- 5 The pressure check should be carried out with the unit burning and the setting should be within the limits specified on the safety label.
- 6 When finished reading manometer, turn off the unit, disconnect the hose and tighten the screw (clockwise) with a 1/8" flat screwdriver. **Note: Screw should be snug, but do not over tighten.**

## 885 S.I.T. Valve Description

- 1) 6 Stage flame adjustment
- 2) Pilot adjustment
- 3) Outlet Pressure Tap
- 4) Inlet Pressure Tap
- 5) Pilot Outlet
- 6) Main Gas Outlet
- 7) Main Gas Inlet



CB72EPV LP SYSTEM DATA	
Max. Supply Pressure	14"WC (3.45 Kpa)
Min. Supply Pressure	11" WC (2.73 kpa)
Manifold Pressure	10" WC (2.49 kpa)
Orifice Size	#47 DMS
Maximum Input	45,500 Btu/h (13.33 kW)
Minimum Input	36,000 Btu/h (10.55 kW)

## High Elevation

This unit is approved for altitude 0 to 4500 ft. (CAN 2.17-M91).

## Gas Line Installation

Since some municipalities have additional local codes it is always best to consult with your local authorities and the CAN/CGA B149 installation code.

For USA installations follow local codes and/or the current National Fuel Gas Code, ANSI Z223.1.

When using copper or flex connectors use only approved fittings. Always provide a union so that gas lines can be easily disconnected for servicing. Flare nuts for copper lines and flex connectors are usually considered to meet this requirement.

**NOTE: A shutoff / dante valve should be supplied in or near the unit (or as per local codes) for ease of servicing this appliance.**

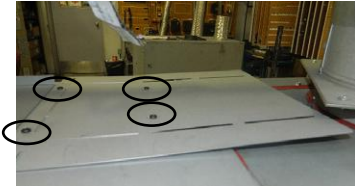
**IMPORTANT: Always check for gas leaks with a soap and water solution or gas leak detector. Do not use open flame for leak testing.**

# installation

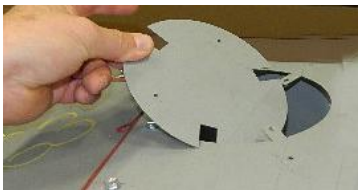
## Heatwave Deflector + Heatwave Venting Installation

**NOTE: Install the Heatwave venting to the unit before moving unit into framing to allow access to the back screws.**

1. Remove the deflector from the top of the unit by removing 4 screws.



2. Remove the knockout from the top of the unit and recycle.



3. Fold up 3 tabs up as shown.



4. Connect pipe adaptor with 3 screws (use the lower holes on the adaptor).



5. Connect the flex pipe to the adaptor with 3 screws.



6. Fold the deflector (removed from Step 1) fold the 4 tabs to 90° and secure the tabs to the unit with 4 screws.



## Inner Glass Panel (Firebox Glass) Installation / Removal

**Note:** glass panels must be installed to operate fireplace

### WARNING: GLASS HANDLING

We recommend using the glass vacuum holders supplied by the manufacturer. Lower the glass to rest in a safe place, this is to prevent damage to the glass edges. Extra care must be taken when removing/installing the glass. Breakage or damage to the edge of the glass which occurs as a result of careless handling will not be covered under warranty.

- We recommend handling the glass with supplied vacuum clamps
- When removing glass—prepare a soft, scratch resistant surface to place the 70-3/8" x 15-1/4" glass
- Never clean or remove hot glass

**Note:** The suction cups may leave a round film on the glass when used. Ensure that the glass is cleaned using a fireplace glass cleaner after each removal and prior to operating the appliance.

1. Remove outer safety barrier glass panels if previously installed—see instructions in this manual.

2. Remove outer panels installed in unit - see panel removal section in this manual.

Press glass vacuum clamps in open position firmly onto surface of glass. Bring handles together to close.



Open



Closed



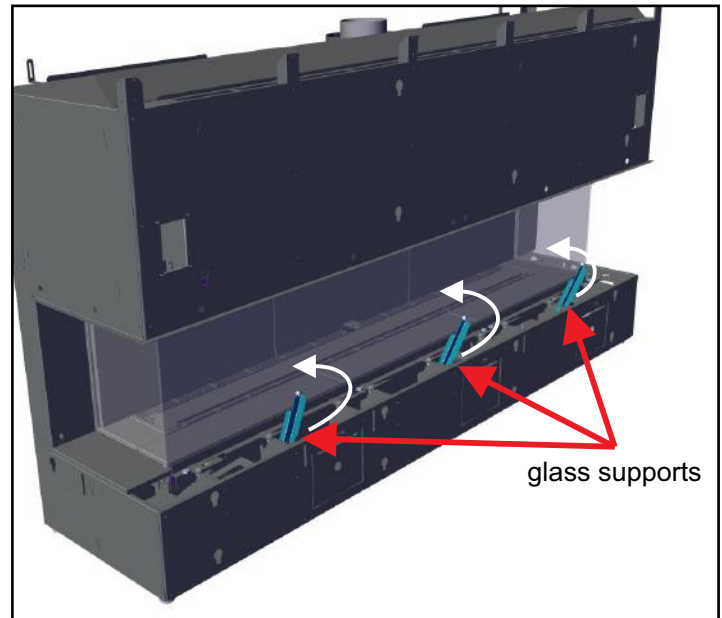
Handle glass with supplied vacuum clamps



[Glass removal video](#)

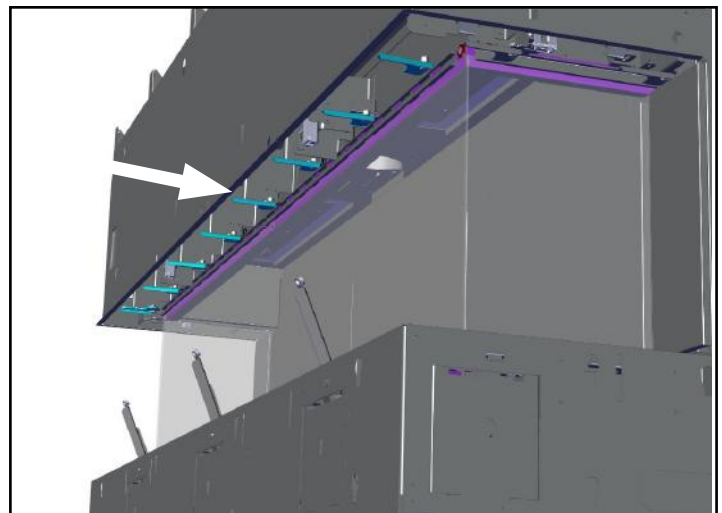
**Note--the following installation diagrams do not include the vacuum clamps but it is strongly recommended to use clamps at all times when handling the firebox glass.**

3. From the front inside lower panel of the unit--pivot the 3 glass supports into upright position as shown below.

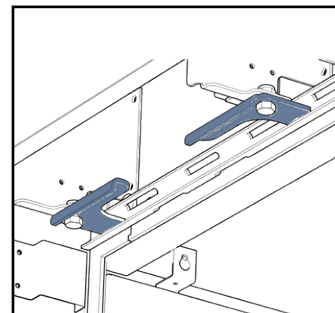


Glass supports in upright position

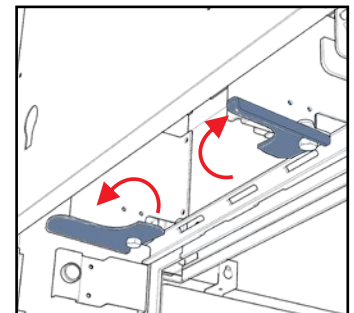
4. Open the 8 clamps at the top of the glass.



Top clamps in open position



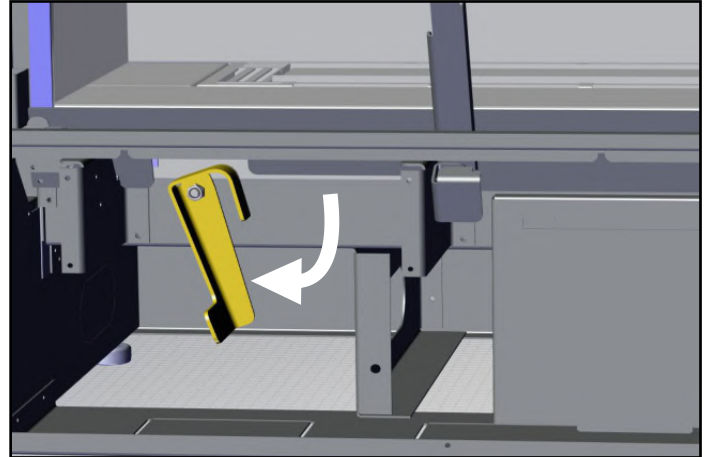
Clamps in closed position



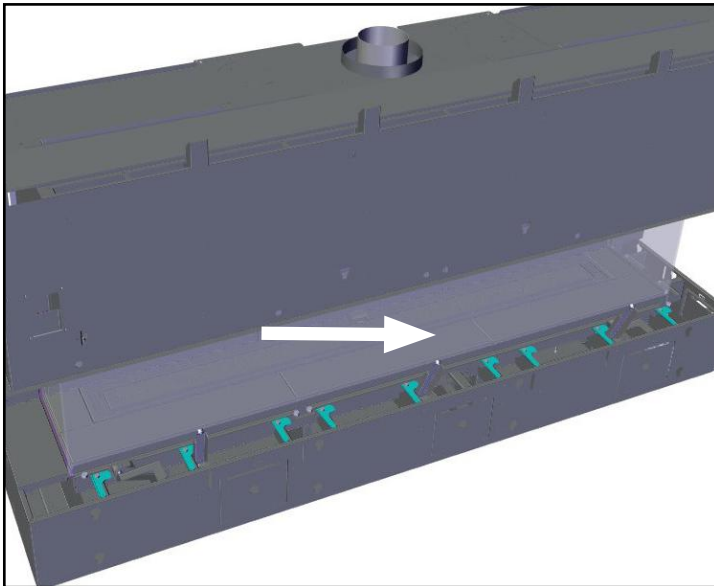
Clamps in open position

# installation

5. Pull the 3 lower glass gasket pads forward to release the glass.

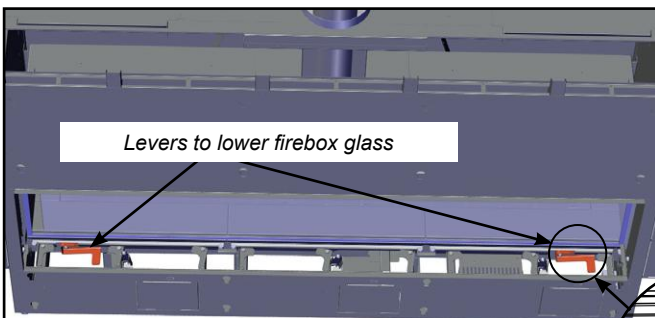


6. Support the glass with one hand and open the 9 lower clamps.

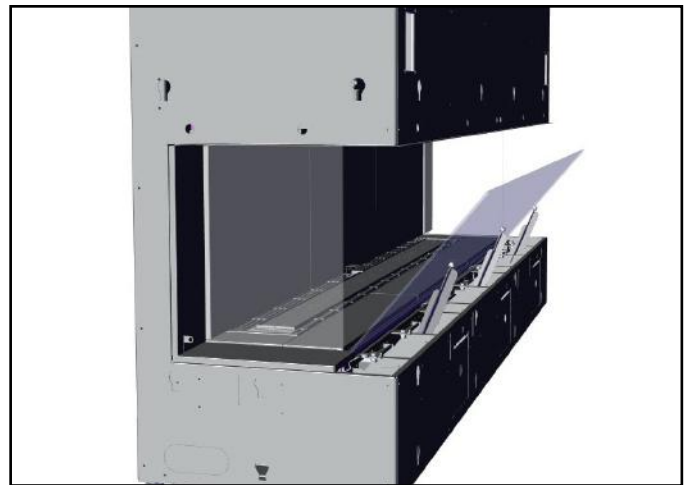


Lower clamps (x9) in open position

7. Locate the 2 levers below the glass and turn them both 90° in a clockwise direction to lower the firebox glass panel.



8. Carefully lean glass forward onto supports.



Glass panel--leaning on supports

**NOTE:** The firebox glass may remain propped on the glass supports to clean the interior surface. Use care when cleaning -- do not apply excessive force or pressure.

9. **To remove the firebox glass panel from the unit:** tilt the glass forward gently onto the glass supports, grip both suction clamps and lift the glass up and out of the unit.

10. To install glass--reverse steps.

**IMPORTANT:** Remove glass panel completely when installing or removing panels, logs, media, etc. to avoid causing any damage to the glass.

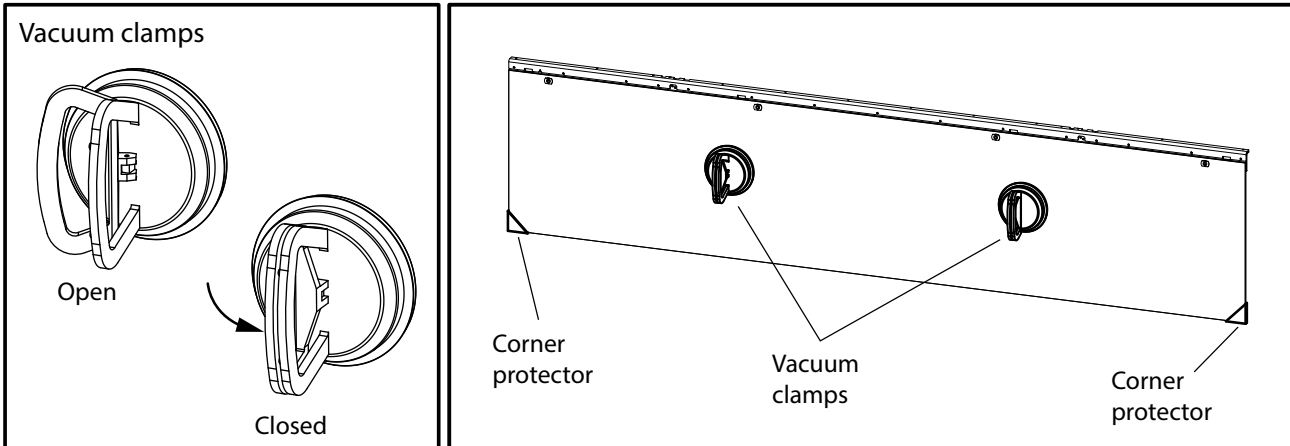
## Glass Barrier Installation

**Note:** Front glass barrier only shown in diagram - follow same procedure for side glass barrier removal.

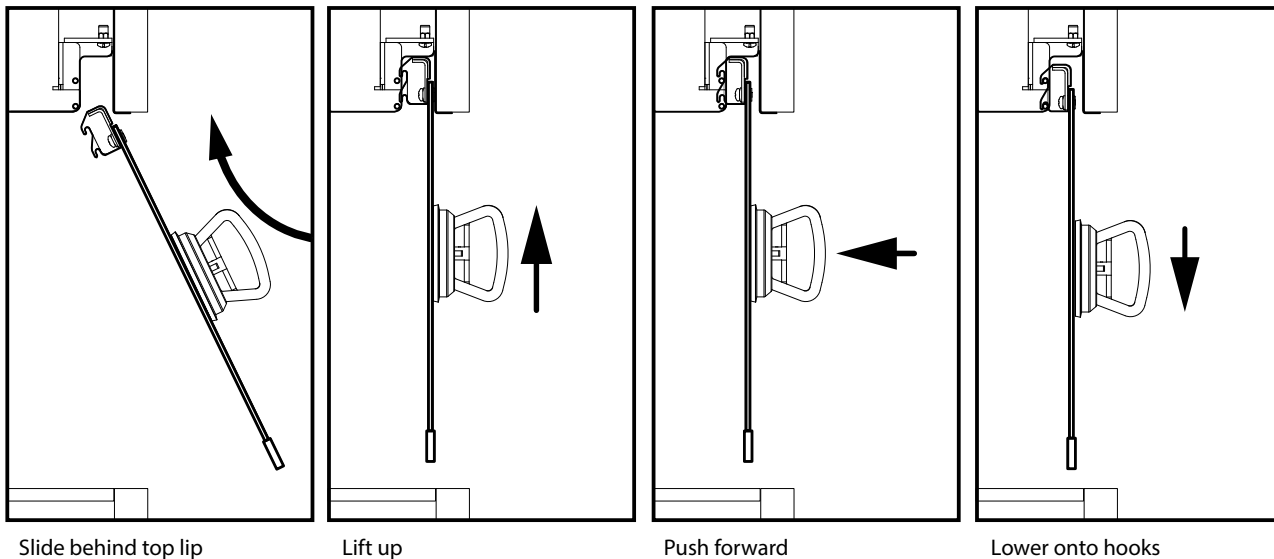
[Glass barrier removal video](#)



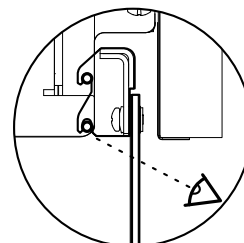
1. Ensure fireplace is operating properly and all firebox glass, and liner panels are installed prior to installing the glass safety barrier.
2. Remove the protective peel from the glass safety barrier and clean the inner surface. Identify the hooks on the glass safety barrier, these indicate the inner surface.
3. Attach the vacuum clamps to the glass as shown on the outer surface. Press the vacuum clamps against the glass, then close the clamps while maintaining pressure on the glass.
4. Slide the corner protectors onto the bottom corners of the glass.



5. Holding the glass barrier in front of the unit, slide it up behind the top lip of the unit. Lift the barrier up as far as it goes, then hook the barrier onto the unit.



6. Visually inspect that the lower hooks are sitting over their pins and that the glass is sitting level and centered in the opening.
7. Remove vacuum clamps and corner protectors.
8. To remove glass, see owner's manual.



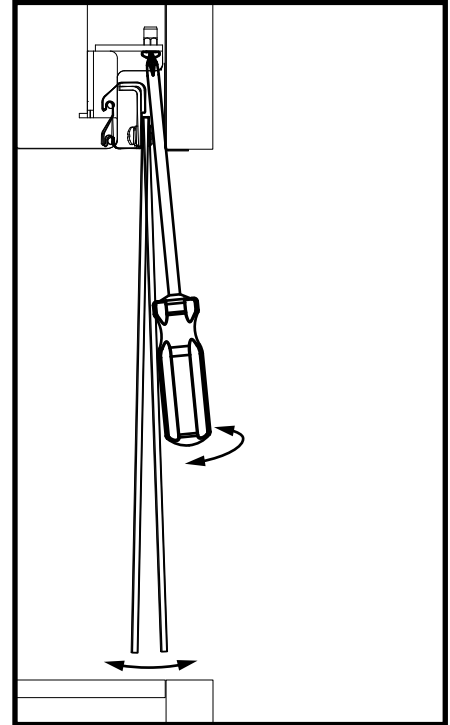
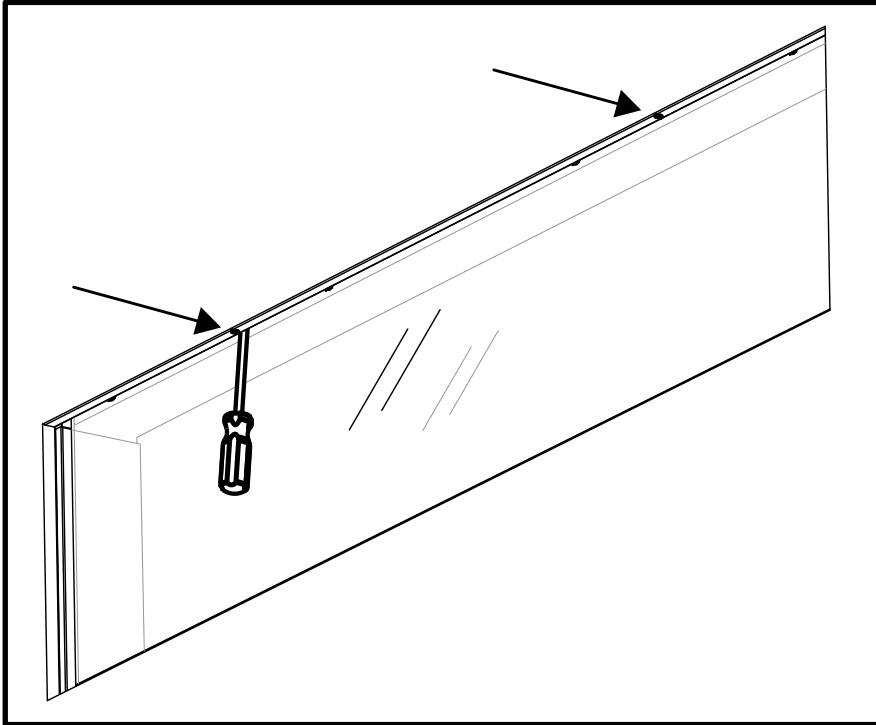
# installation

## Glass Barrier Adjustment

If glass isn't hanging straight, use a phillips screwdriver to adjust the angle.

Clockwise = angles barrier out toward you

Counter clockwise = angles barrier in towards the unit.

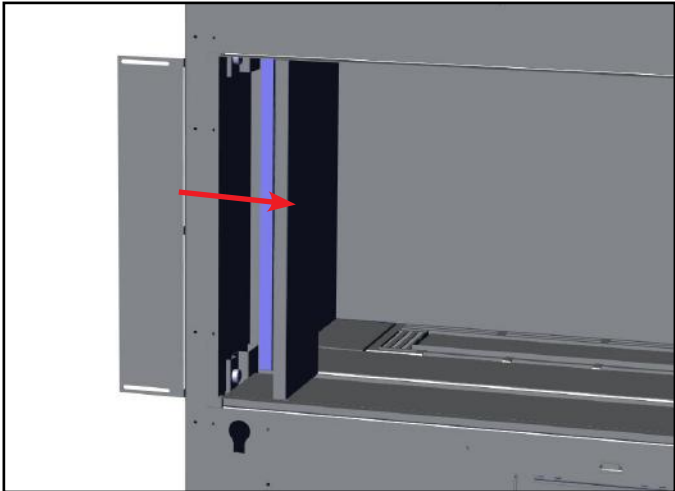


Slide the screwdriver straight up at the two indicator slots.

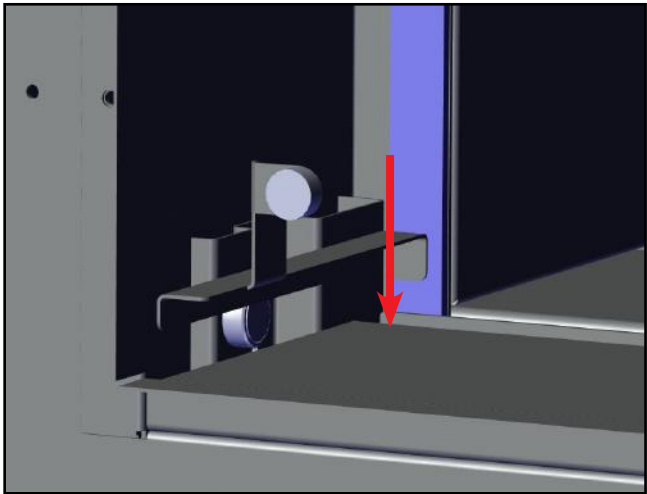
**Optional Barrier Glass Stoppers Installation / Removal**

There are 2 optional stoppers included in the manual pack which provide additional support to the glass barrier, if desired--install the stoppers prior to installation of the barrier glass.

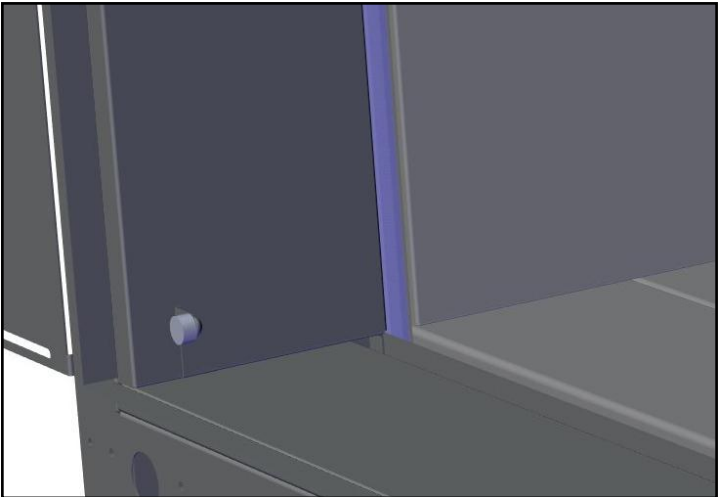
1. If already installed, remove the side panel by pulling off and lifting out.



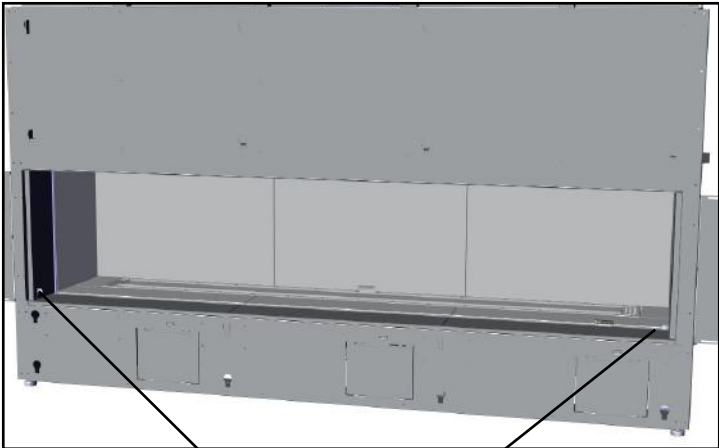
2. Slide the stopper bracket in between the front panel and the unit wall as shown.



3. Reinstall the side panel.



4. Repeat steps 1-3 on the opposite side.



5. Proceed to installation of the barrier glass.

**THIS CONVERSION MUST BE DONE BY A QUALIFIED GAS FITTER  
IF IN DOUBT DO NOT DO THIS CONVERSION!**

### WARNING

This conversion kit shall be installed by a qualified service agency in accordance with the manufacturer's instructions and all applicable codes and requirements of the authority having jurisdiction. If these instructions are not followed exactly, a fire, explosion or production of carbon monoxide may result causing property damage, personal injury or loss of life. The qualified service agency is responsible for the proper installation of this kit. The installation is not proper and complete until the operation of the converted appliance is checked as specified in the manufacturer's instructions supplied with the kit.

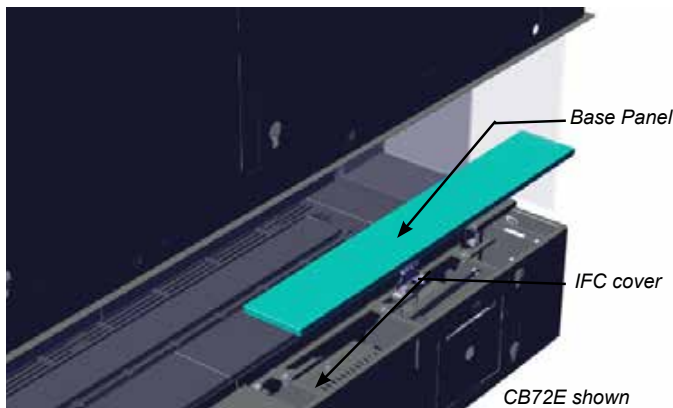
Conversion Kit 666-977 includes:

1	911-011	Stepper Motor LP for 885 SIT
1	905-014	Orifice #47
1	910-037	Pilot Orifice #30
1	918-590	Decal - Conversion to LP
1	908-528	Label Propane
1	904-529	5/32" long Allen Key
1	920-069	Instruction Sheet

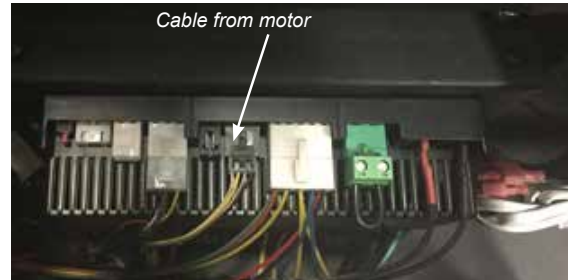
**Caution:** The gas supply shall be shut off prior to disconnecting the electrical power, before proceeding with the conversion.

**Always let the appliance cool to room temperature before servicing.**

1. Remove the outer panels and safety glass — see manual.
2. Remove inner firebox glass — see manual.
3. Remove inner panels — see manual.
4. Remove all media installed on burner (glass, logs or stones, etc).
5. Lift off the far right base panel and loosen 2 screws on IFC cover--removed cover to access IFC.

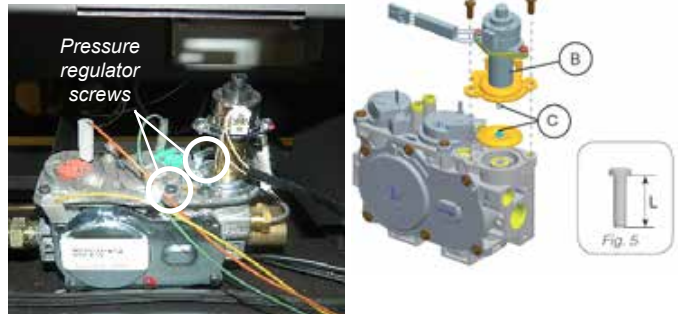


6. Disconnect the Cable coming from the Pressure Regulator Motor.

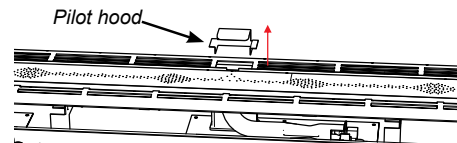


7. Remove and discard 2 Pressure regulator screws (A) using a (T20 or slot screwdriver.) Pressure Regulator (B) and Spring and Diaphragm (C) (see below).
8. Ensure the rubber gasket, which is prefitted as part of the Assembly, is properly positioned. Install the new Pressure Regulator using the 2x M4 x .7 screws supplied. Tighten the screws to 25lb-in. In the event that the screw threads are cross threaded or stripped, replace the valve assembly.

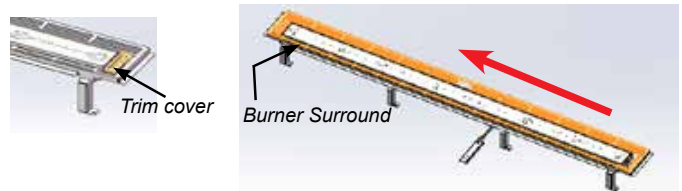
Install the enclosed propane identification label to the valve body where it can be easily seen.



9. Re-attach the Pressure Regulator wire (disconnected in Step 6), and re-situate the IFC, secure the screws that fasten the IFC Mounting Brackets.
10. Remove pilot hood by lifting up and off.

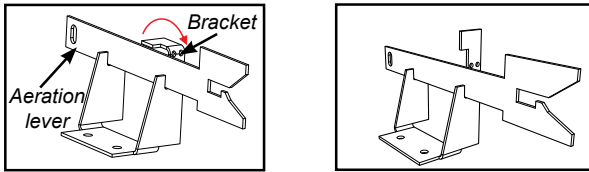


11. Remove the trim cover on right side of burner by lifting off. Also remove the burner surround by sliding to the left and lifting off.

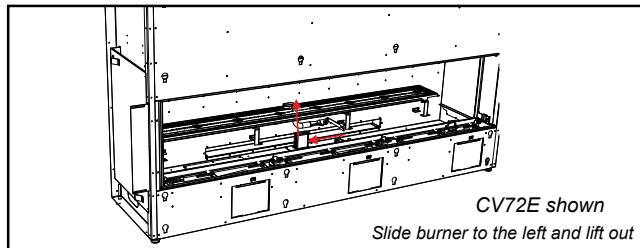
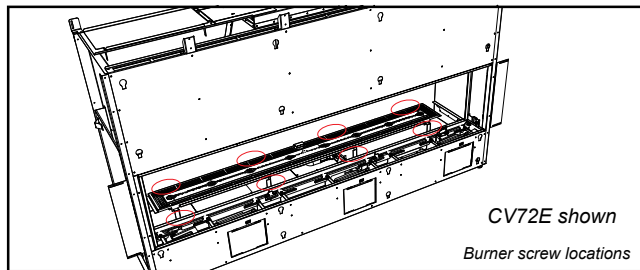




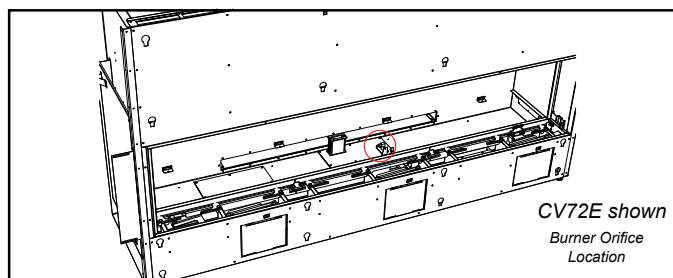
12. Bend the arm of the aeration lever bracket up from 90° to straighten and release aeration lever (lever will come with the burner).



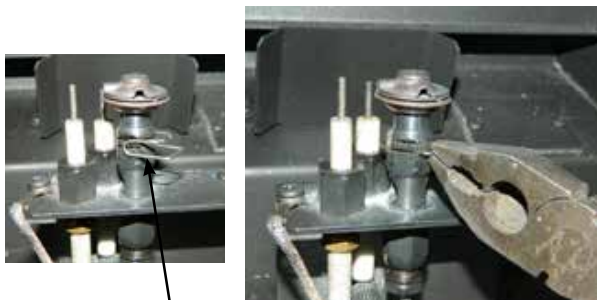
13. Loosen 8 screws in locations shown below (2 at front and 2 at rear)—slide burner to the left away from the orifice and lift out.



14. Remove burner orifice with a 3/8" wrench. Use another wrench to hold on to the elbow behind the orifice. Discard orifice. Reinstall new burner orifice LPG stamped #47 and tighten.



15. Remove pilot retainer clip with pliers and pull off the pilot cap to expose the pilot orifice.



16. Unscrew the pilot orifice with the Allen key; then replace with the LPG pilot orifice and the pilot cap, provided in the kit.



17. Reinstall pilot cap and pilot retainer clip.
18. Prior to installing burner—adjust aerations settings - to 3/8" for LP. Reinstall burner (see Step 11).
19. Ensure the pilot light is in the correct orientation to the Burner. Reconnect the gas and electrical supply to the appliance. Start the appliance. (see section on Lighting Instructions) Ensure that pilot and burner ignition is completed without delay. Check both your inlet and outlet pressures at full load. With a soapy solution, leak test the entire system. Verify both the correct flame and pilot appearance.
20. See Gas Pipe Pressure Testing in manual.

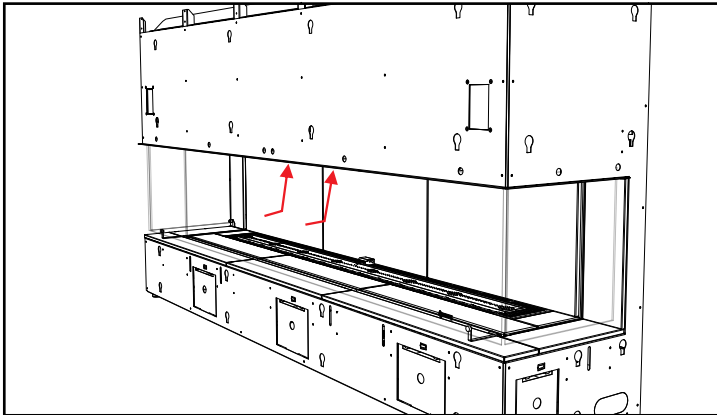
City Series NG SYSTEM DATA	
Min. Supply Pressure	11" WC (2.73kpa)
Manifold Pressure - High	10" WC (2.49 kpa)
Manifold Pressure - Low	6.4" WC (1.59 kpa)
Orifice Size	#47 DMS
Maximum Input	45,500 Btu/h (13.33 kW)
Minimum Input	36,000 Btu/h (10.55 kW)
Altitude	0-4500 ft (0-1372m)

**Installer Notice:**  
These instructions must be left with the appliance.

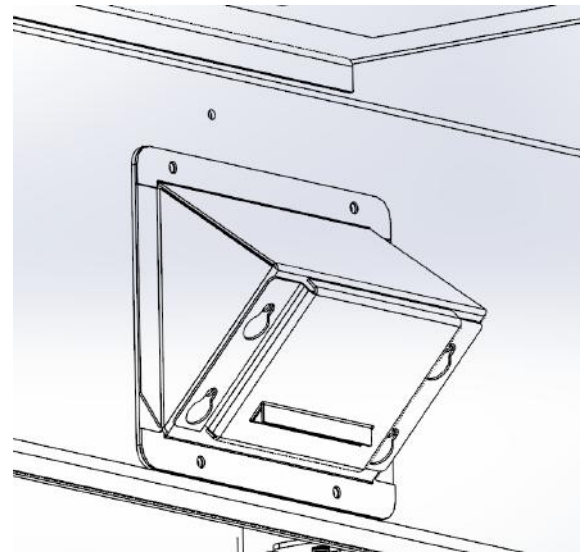
# maintenance

## Bulb Replacement

1. Turn off power and gas to unit and allow to cool to room temperature.
2. Remove outer safety glass panels and inner panels (firebox glass)—see instructions in this manual.



*Light are located behind the front face of the unit*

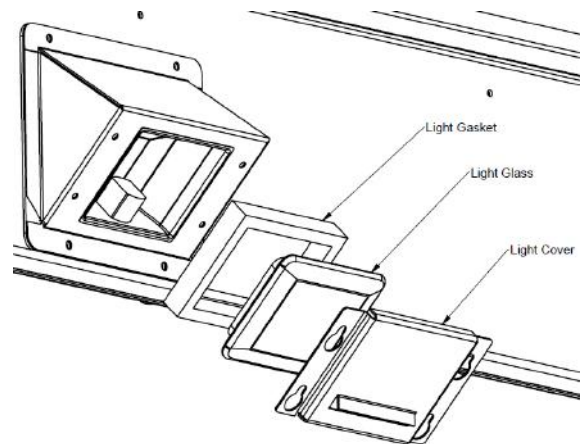


*Inner light covers close up*

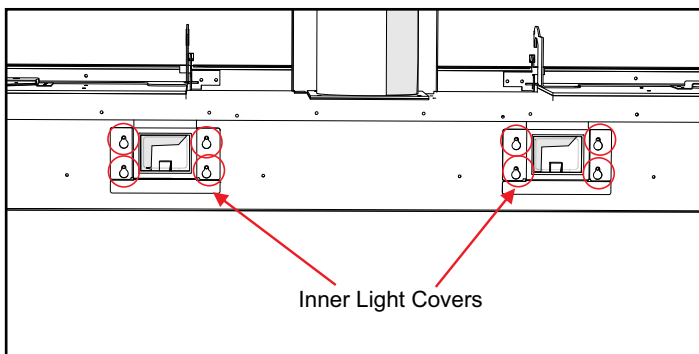
3. Loosen 2 screws on each side of individual inner light cover and remove.
4. Replace bulb and reverse steps to complete procedure.

**NOTE:** Do not handle bulb with bare hands. Use packaging or a tissue to hold new bulb when replacing.

Regency Part# 911-208 Oven Lamp Assembly G9 120V/25W  
Regency Part# 911-072\_Replacement Bulb G9 120 Volt/25 watt



*Inner light cover reassembly order*



*Inner Light Covers*

*Inner light covers shown from back of unit (back made transparent)*

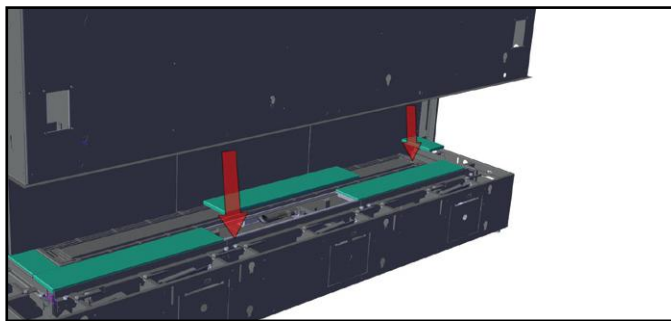
## CB72EPV Painted Panel Installation

### Inner Panels - CB72EPV

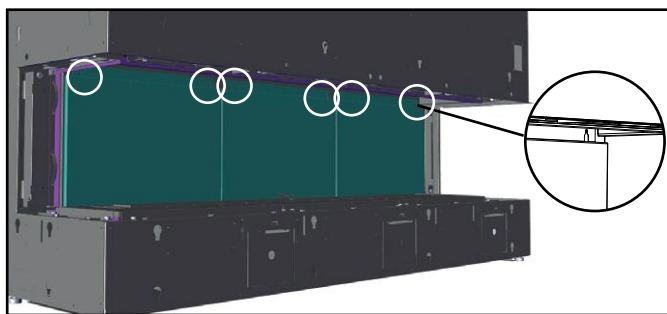
The CB72E may be equipped with optional steel inner panels. CB72E - 7 outer panels and 8 inner panels.

Turn off gas and power to unit and allow to cool to room temperature. Remove the safety glass and firebox glass — see manual for instructions

1. Install 5 inner base panels as shown.



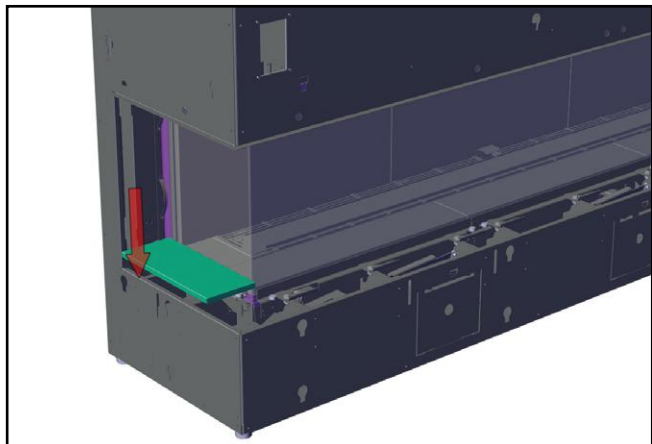
2. On back of firebox wall--install 6 screws (loosely) in locations shown below. Install 3 back panels--hang panels on installed screws through keyhole opening.



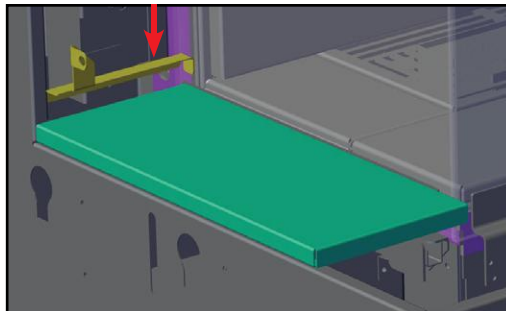
3. Reinstall firebox glass - see instructions in manual.

### Outer Panels - CB72EPV

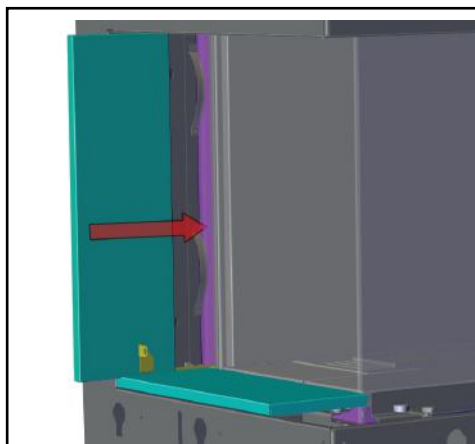
1. Install outer side panel as shown below.



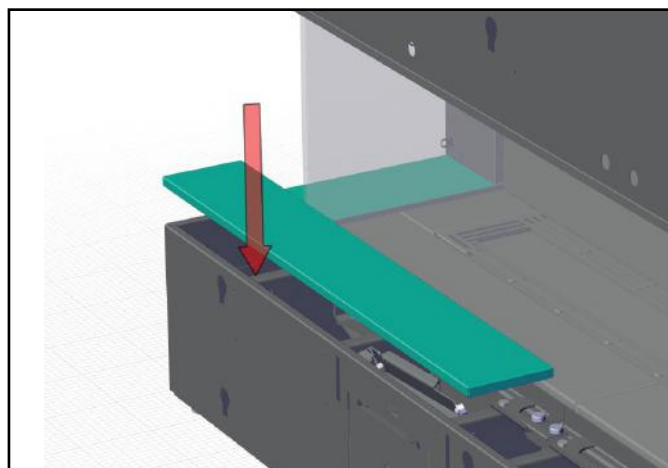
2. Install glass stopper (if desired) by sliding down the outside of the outer side panel.



3. Slide backwall outer panel behind glass stopper bracket (if installed).

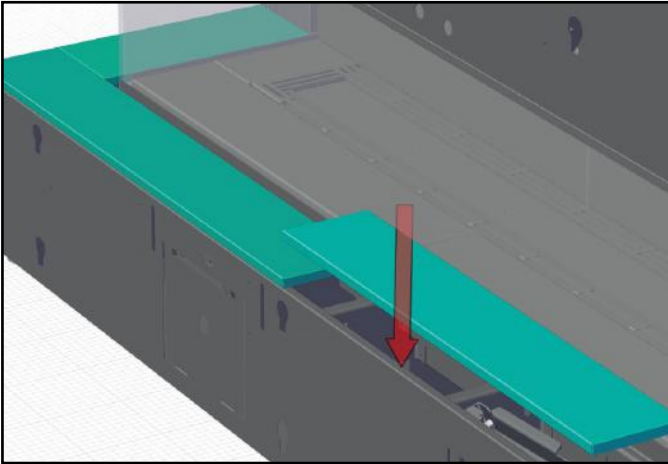


4. Install front end panel--place on unit as shown below.

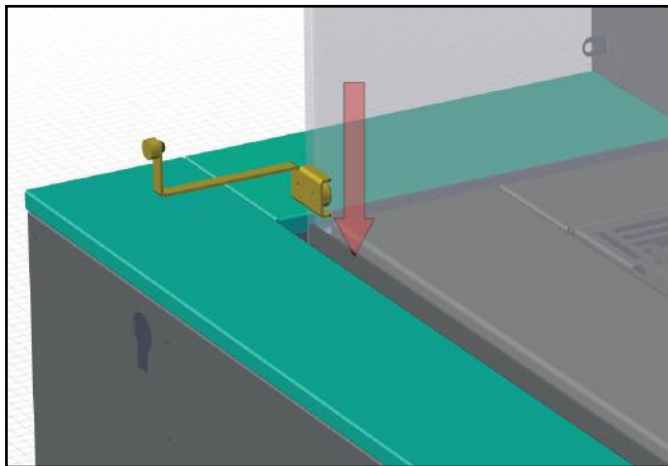


# installation

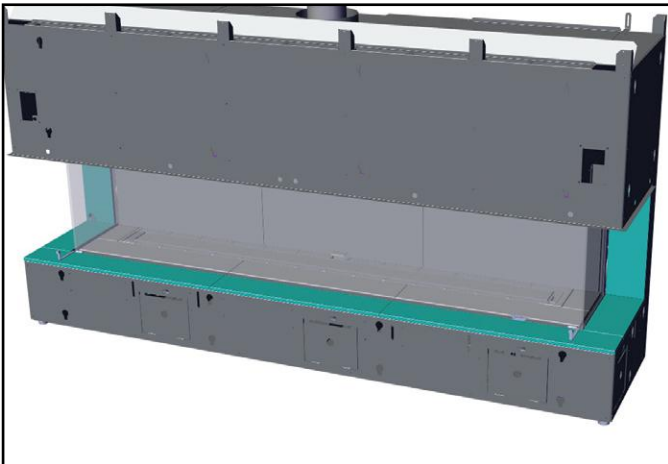
5. Install middle outer panel.



6. Install glass stopper (if desired) by sliding stopper assembly between unit and panel - the stopper assembly will attach to the unit via a magnet, adjust position of glass stopper is required.



7. Repeat steps 1-6 to install outer panels on opposite side.



8. With panel set installed -- complete by installing barrier glass.

9. Reverse all steps to remove panels.

## CB72EPV Enamel Panel Installation

### Black Enamel Panels — Handling Instructions

- Black Enamel panels must be inspected for scratches and dimples prior to installation. All claims to be recorded at this time. Claims for damage after installation will not receive consideration.

- Black Enamel panels will discolor a little during normal operation. This is normal and should not be considered a defect.

★ All hand and finger marks **MUST** be cleaned off with a soft cloth. Use an ammonia based cleaner (ie. glass cleaner) to remove any fingerprints before applying heat to the unit.

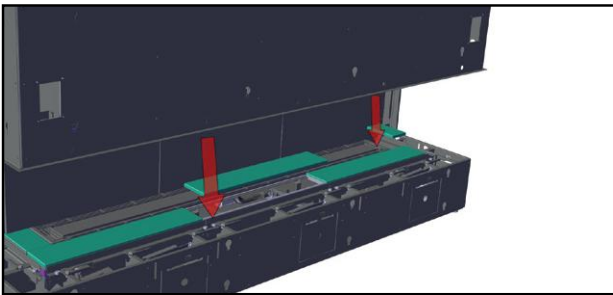
**Failure to do this will result in burn stain on panels which you will be unable to remove.**

\*Not protected by product warranty.

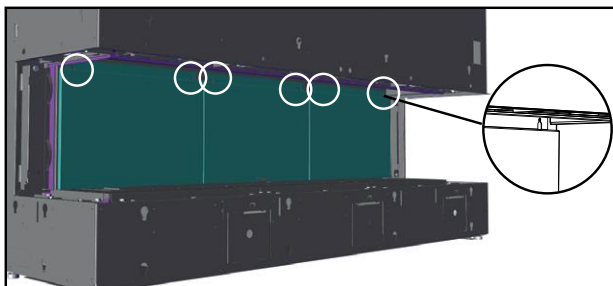
The CB72E has optional enamel inner panels that may be installed. CV72E - 7 outer panels and 8 inner panels.

Turn off power and gas to unit and allow to cool to room temperature. Remove the safety glass and firebox glass — see manual for instructions

1. Install 5 inner base panels as shown.



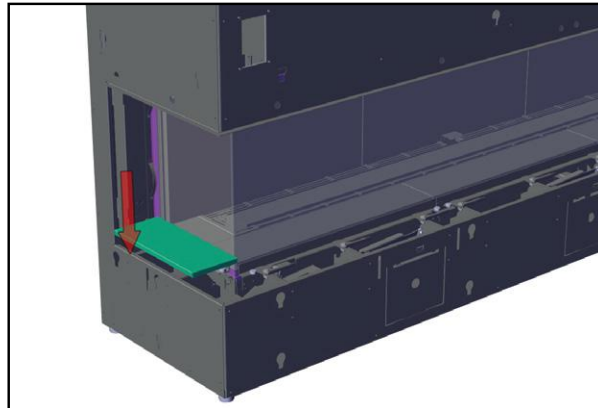
2. On back of firebox wall--install 6 screws (loosely) in locations shown below. Install 3 back panels--hang panels on installed screws through keyhole opening.



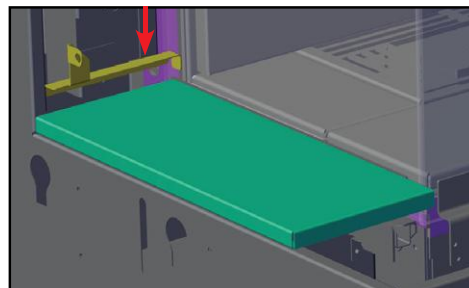
3. Reinstall firebox glass - see instructions in manual.

## CB72E OUTER PANELS

1. Install outer side panel as shown below.

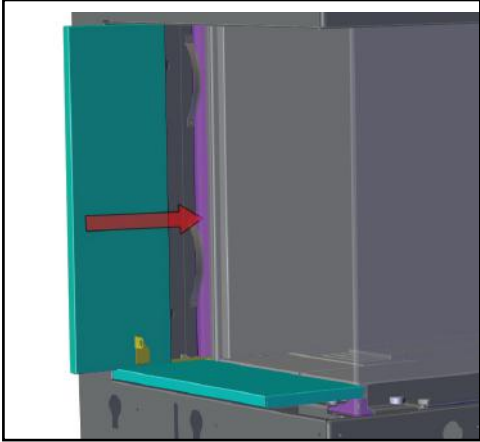


2. Install glass stopper (if desired) by sliding down the outside of the outer side panel.

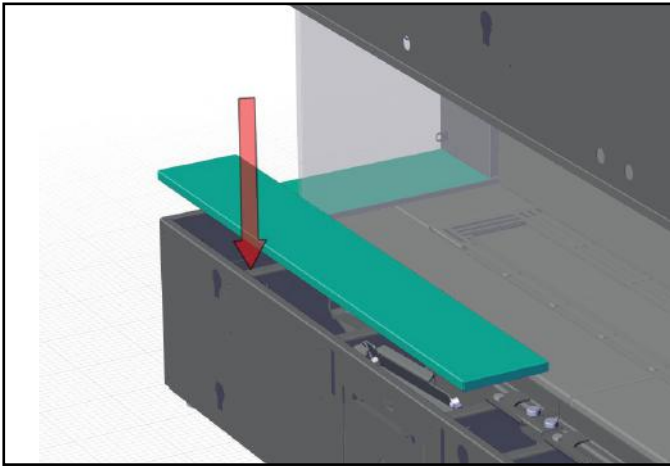


# installation

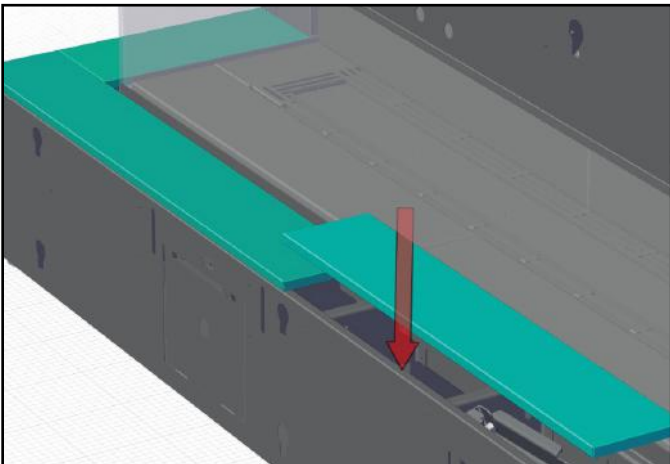
3. Slide backwall outer panel behind glass stopper bracket (if installed).



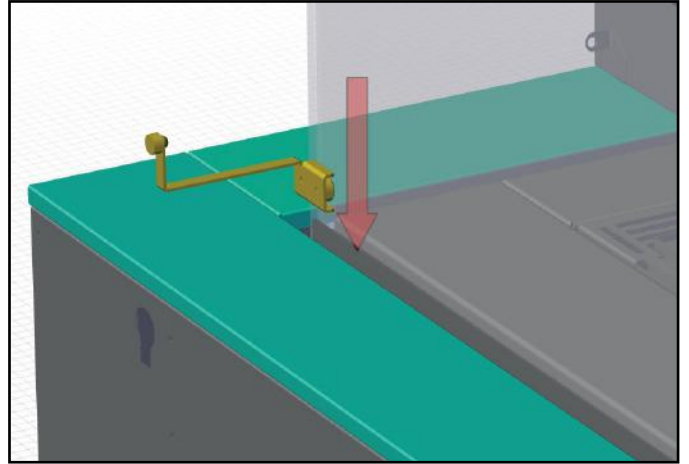
4. Install front end panel-place on unit as shown below.



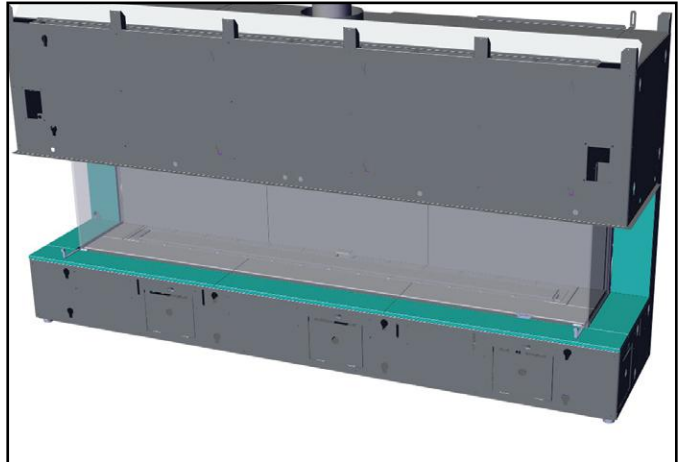
5. Install middle outer panel.



6. Install glass stopper (if desired) by sliding stopper assembly between unit and panel - the stopper assembly will attach to the unit via a magnet, adjust position of glass stopper is required.



7. Repeat steps 1-6 to install outer panels on opposite side.



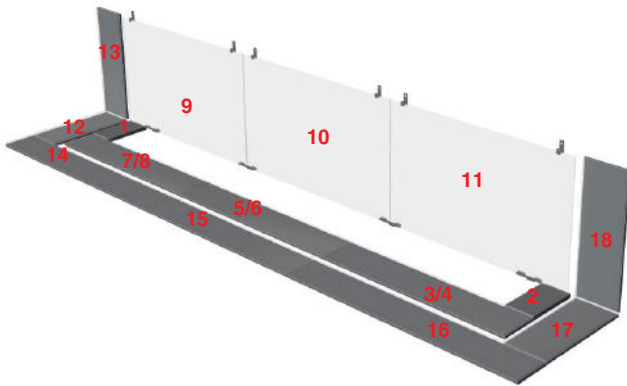
8. With panel set installed -- complete by installing barrier glass.

9. Reverse all steps to remove panels.

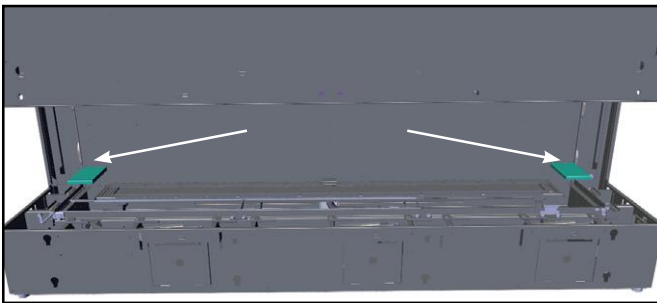
## CB72EPV Glass Panel Installation

- Turn off power and gas to unit and allow to cool to room temperature. Remove the safety glass and firebox glass — see manual for instructions.  
**Note:** The screws to secure all of the clips in these instructions will be already on the appliance. Simply remove and reinstall to secure all of the clips.

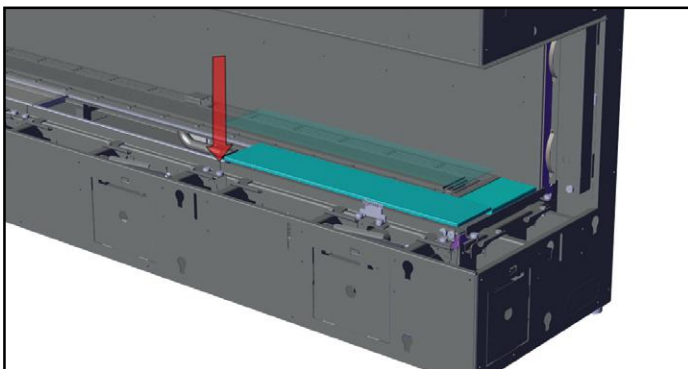
- Identify panels and order of installation.



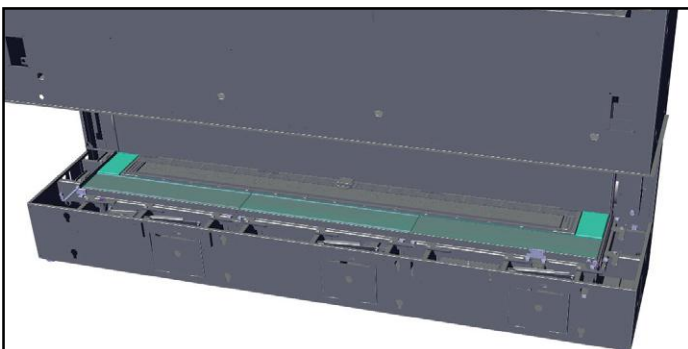
- Install back corner panels (1, 2) - seat smallest panel in back left corner, repeat on other side.



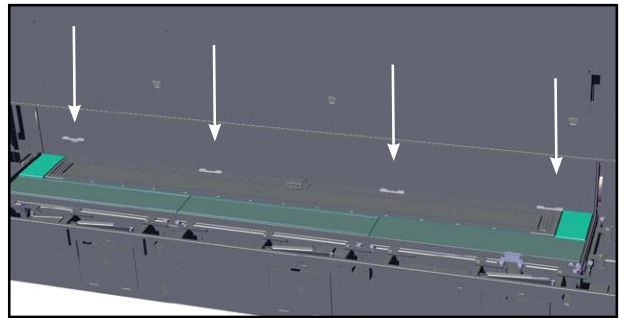
- Install inner base panel sets (3/4, 5/6, 7/8), metal panels first, then glass panels on top.



- Inner panels (1-8) installed.



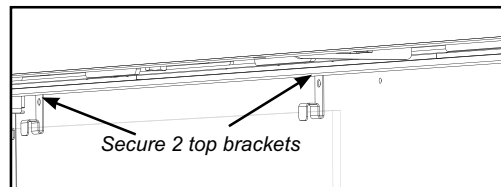
- Install four back panel brackets in between the back wall and the burner tray. Line up the center of the middle brackets with the base panels installed in the previous step as shown below.



- Carefully manoeuvre the back glass panels (9,10,11) to the back wall of the firebox. Start with back panel 9 -- place two panel brackets on each panel and manoeuvre into position, sliding the bottom into the corner and back brackets.



- Secure the top of the panel brackets with 2 screws into 2 brackets (each panel has 2 brackets).

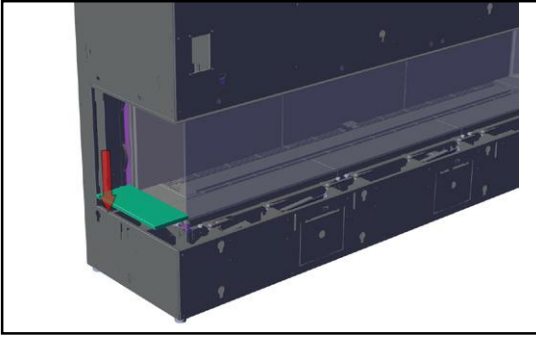


- Repeat Steps 7 & 8 to install back panels 10 + 11.

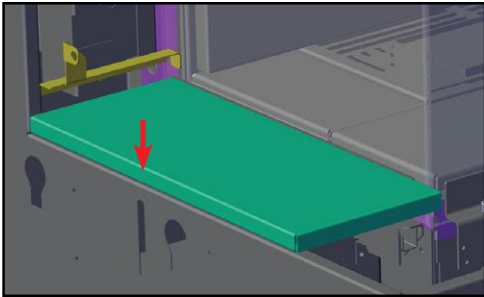
- When completed, install firebox glass--see manual for detailed instructions.

# installation

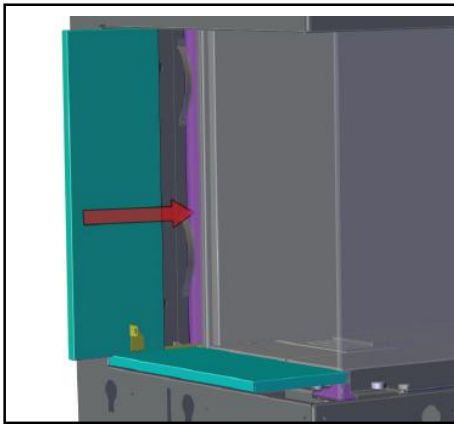
11. Install outer side panel (18) as shown below.



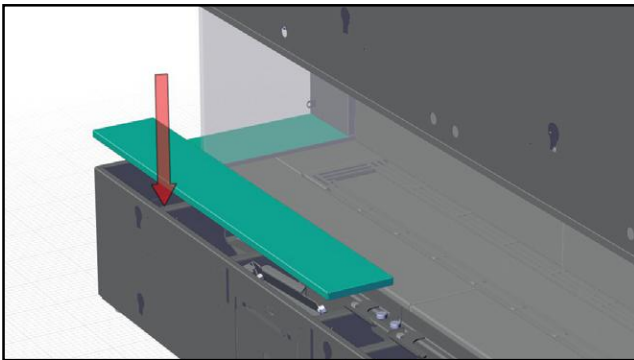
12. Install glass stopper (if desired) by sliding down the outside of the outer side panel.



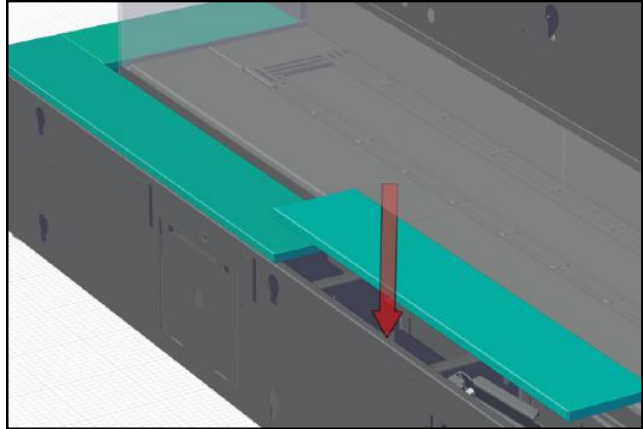
13. Slide backwall outer panel (13) behind glass stopper bracket (if installed).



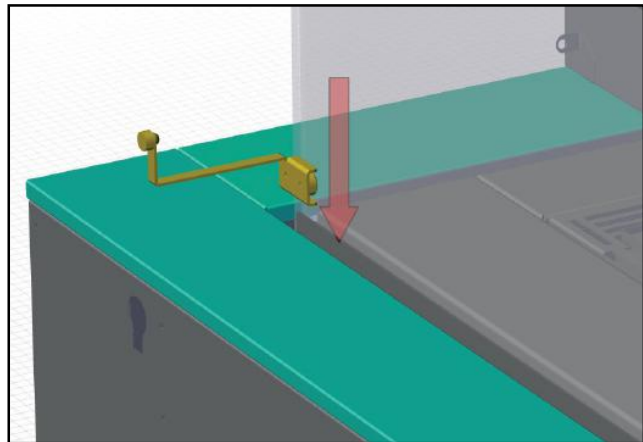
14. Install outer corner panel (14) as shown below.



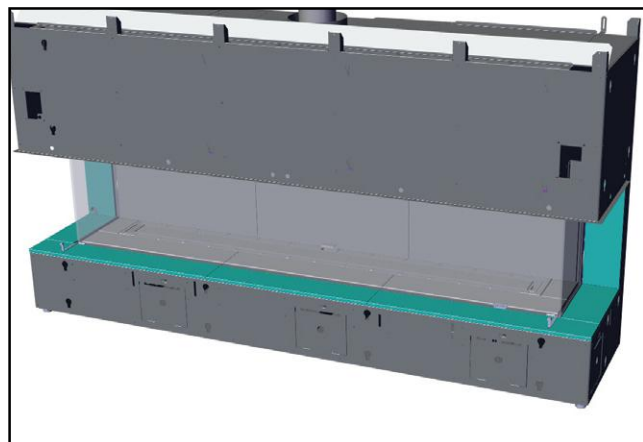
15. Install middle outer panel (15).



16. Install glass stopper (if desired) by sliding stopper assembly between unit and panel - the stopper assembly will attach to the unit via a magnet, adjust position of glass stopper is required.



17. Repeat steps 1-6 to install outer panels (16,17,18) on the opposite side.



18. After complete panel set installed -- complete by installing barrier glass.

19. Reverse all steps to remove panels.



**Burner and Firebox Media Options**

Spread the media evenly over the burner. Ensure the glass/stones do not overlap excessively as this will affect the flame pattern.

**IMPORTANT NOTE:**

Only the supplied approved media are to be used with these fireplaces. Use of any other type of glass or stones can alter the unit's performance. Any damage caused by the use of any unapproved glass or stones will not be covered under warranty.

When using Ceramic Spa/Volcanic Stones ensure required glass crystals/beads are used as a base. **DO NOT** overstack Ceramic Spa Stones or Volcanic Stones on burner or in the pilot area. Media must be installed on and around burner only in amounts noted below.

NOTE: Regardless of option chosen, fireglass must be installed on burner in all cases.

CB72EPV Approved Media*	Where Used	Quantity
Fireglass (starfire, copper or black)	On burner	2lbs
Glowing embers/sea wool (supplied with unit)	On burner	1 bag
3/4" Black Coal	Around burner	2 boxes (7lbs)
Crushed Iceburg chips	Around burner	2 boxes (7lbs)
Firebeads	Around burner	7lbs
Stone River Pebbles	Around burner	1 box
Spa stones	Around burner	3 boxes
Lava Embers	Around burner	6 packages

\* Media **not supplied** with unit - must be purchased separately.



*3/4" Black Coal + Black Fireglass*



*Natural / Ivory Stones + Fireglass*



*Black Fireglass + Embers*



*Spa Stones + Fireglass*



*Fireglass + Firebeads*



*Stone River Pebbles + Fireglass*

# installation

## Optional Driftwood Log Set Installation

Read the instructions below carefully and refer to the images. If the logs are broken do not use the unit until they are replaced. Broken logs can interfere with pilot operation.

Improper positioning of the logs may create carbon build-up and can alter the unit's performance which is not covered under warranty.

\*Dark brown paint is included if touch ups are required.



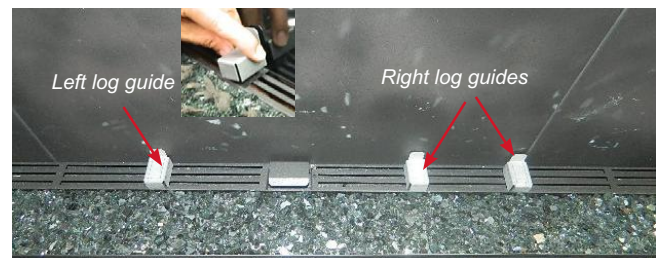
1	Rear Center Log
2	Rear Left Log
3	Rear Right Log
4	Left Front Log
5	Front Log (left of center)
6	Front Centre Log Piece
7	Front Right Log (right of center)
8	Front Right Log
9	Left cross log (2nd left from center)
10	Left cross log (left of center)
11	Right cross log (right of center)
12	Right cross log (2nd right from center)
13	Left cross log (far left log)
14	Right cross log (far right log)
15	Left end log
16	Right end log
	Log Brackets (3)
	Lava rock (purchased separately from log set)
	2 lb Black Fireglass (purchased separately from log set)
	Glowing wool (supplied with unit)
	3/4" Crushed black glass or iceberg chips (purchased separately from log set)

1. Shut off gas and electrical supply, allow unit to cool to room temperature.
2. Remove barrier glass (if already installed) and firebox glass (see manual).
3. Carefully remove the logs from the packaging and unwrap them. The logs are fragile, handle with care—never force into position.
4. Install Black Fireglass (2lb) and glowing wool on the burner as shown below.



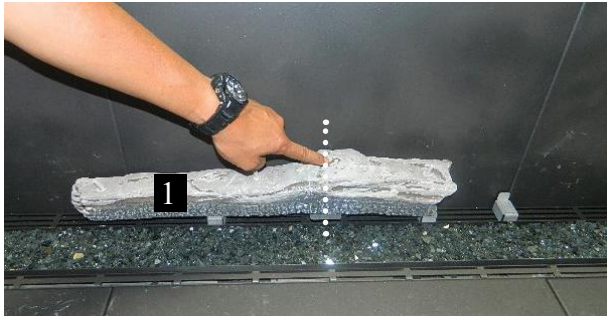
*Burner covered with Fireglass and glowing wool*

5. Clip on the log guides - position the rear guides by centering over the two vertical lines on either side of the pilot hood at the back of the burner. Install a second log guide on the 2nd vertical line right of the pilot hood.



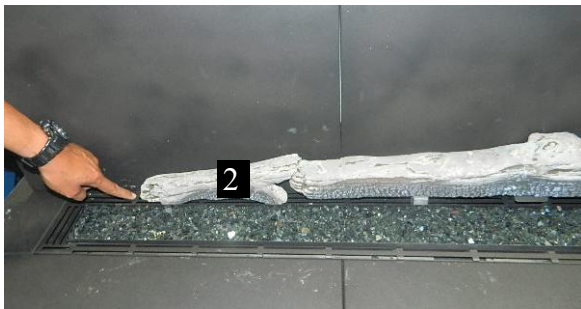
*Log guides installed*

6. Place Log 1 behind the burner. Log 1 will rest on the pilot hood and 2 center log guides. Line up the knot on the top of the log with the center of the pilot hood when seating.



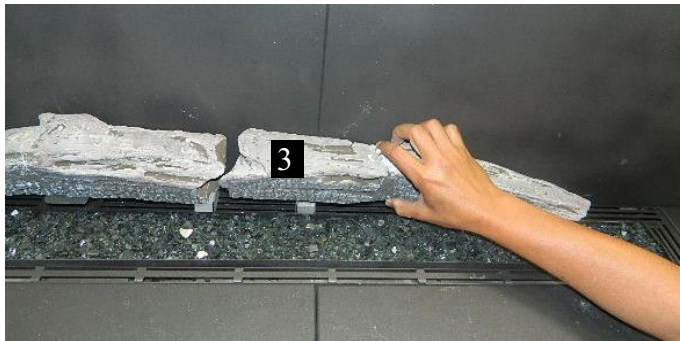
*Line up knot to center of pilot hood*

7. Install Log 2 to the left of Log 1. Line up the left end of Log 2 with the last vertical line on the back of the burner as shown below.



*Log 2*

8. Install Log 3 to the right of Log 1, rest the left side on the log guide and the right side on the glass crystals as shown.



*Log 3*

9. Install Log 4 in front of the burner on the panel. Position the left end of Log 4 2-1/2" to the right of the left end of the burner as shown below.



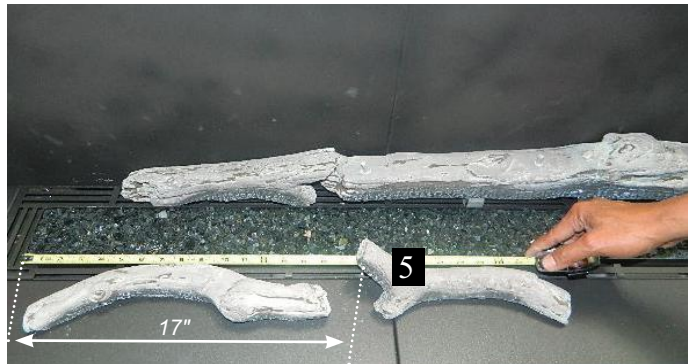
*Log 4 to edge of burner*

10. The left end of Log 4 should also sit 2" from the edge of the panel as shown below.



*2" to edge of panel*

11. Place Log 5 on the center panel in front of the burner. Position the left end of the log 17" from the left edge of the burner as shown below.



*17" from edge of burner*

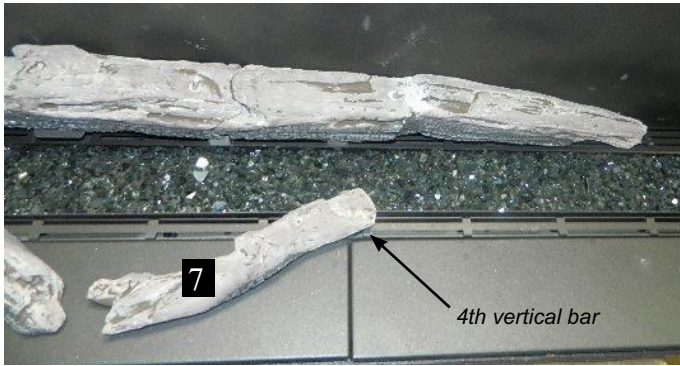
12. Place Log 6 on the diagonal--line up the centre of Log 6 with the center vertical line at the front of the burner.



*Line up with center vertical line + center of pilot hood*

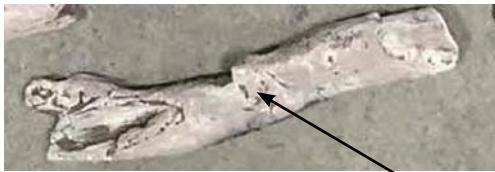
# installation

13. Install Log 7 on the diagonal--line up the left end of Log 7 with the 4th vertical line from the right on the front of the burner as shown below.



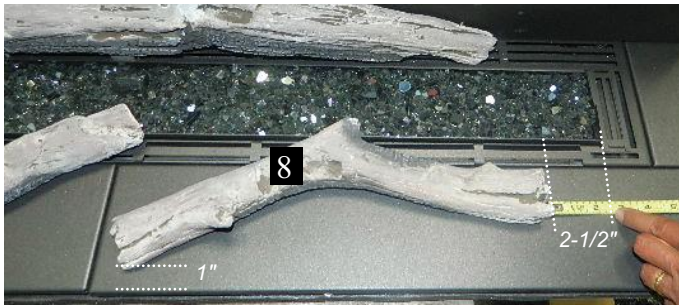
Log 7 end lined up with 4th vertical bar

**Note:** Log 7 and Log 14 appear very similar. Log 7 has a landing for Log 11--Log 14 does not. Please carefully identify Log 7 before installing.



Landing for Log 11

14. Install Log 8--the knot on the log should rest on the 2nd vertical line from the right at the front of the burner and the left end of the log should sit 1" from the edge of the panel.  
The right end of Log 8 should be 2-1/2" from the right edge of the burner.

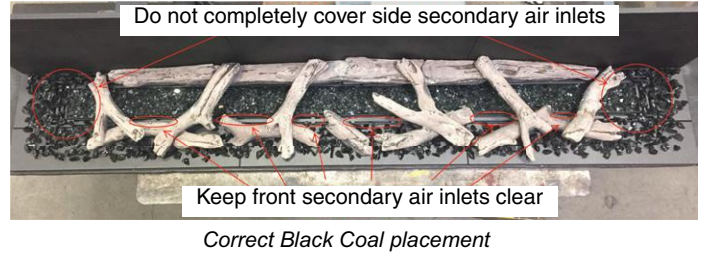


Log 8

15. Install one box (3.5lbs) of 3/4" black coal around the logs installed on the panels as shown below.



Black Coal around logs on panels

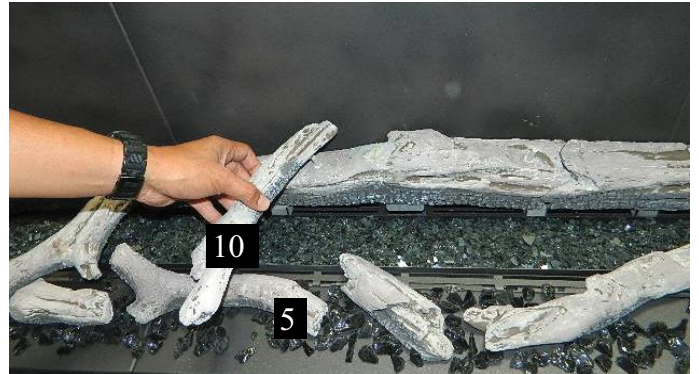


16. Install Log 9--line up the pin locator on Log 9 with the pin on Log 1 and rest the other end of Log 9 on the rest on Log 4 as shown below.



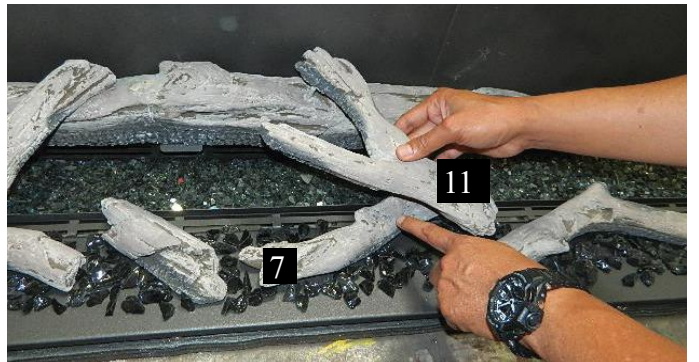
Log 9

17. Install Log 10--line up the pin locator on Log 10 with the pin on Log 1 and rest the other end of Log 10 on the rest on Log 5 as shown below.



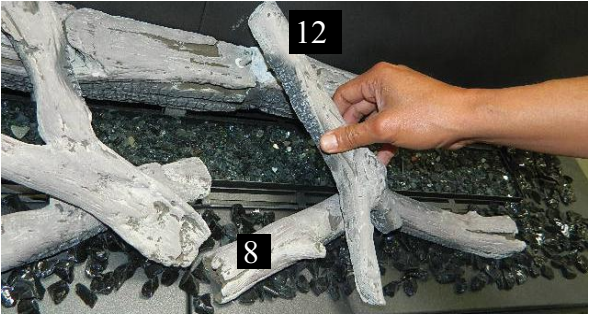
Log 10

18. Install Log 11--line up the pin locator on Log 11 with the pin on Log 1 and rest the other end of Log 11 on the rest on Log 7 as shown below.



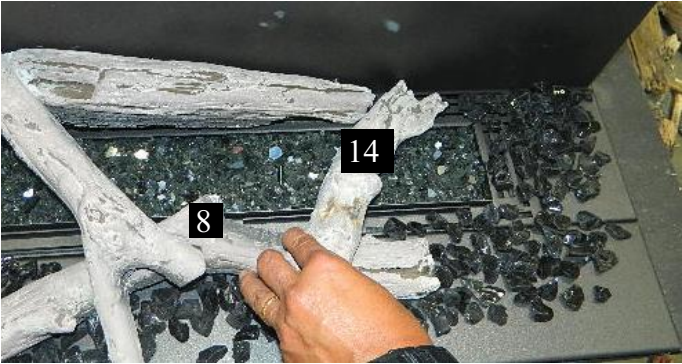
Log 11

19. Install Log 12--line up the pin locator on Log 12 with the pin on Log 3 and rest the other end of Log 12 on the rest on Log 8 as shown below.



Log 12

21. Install Log 14--place one end of Log 14 on the rest on Log 8 and the opposite end on the back edge of the burner as shown below.



Log 14

20. Install Log 13--rest the longer part of the 'Y' of Log 13 on the rest in Log 4. Rest the opposite end of Log 13 on the back edge of the burner as shown.

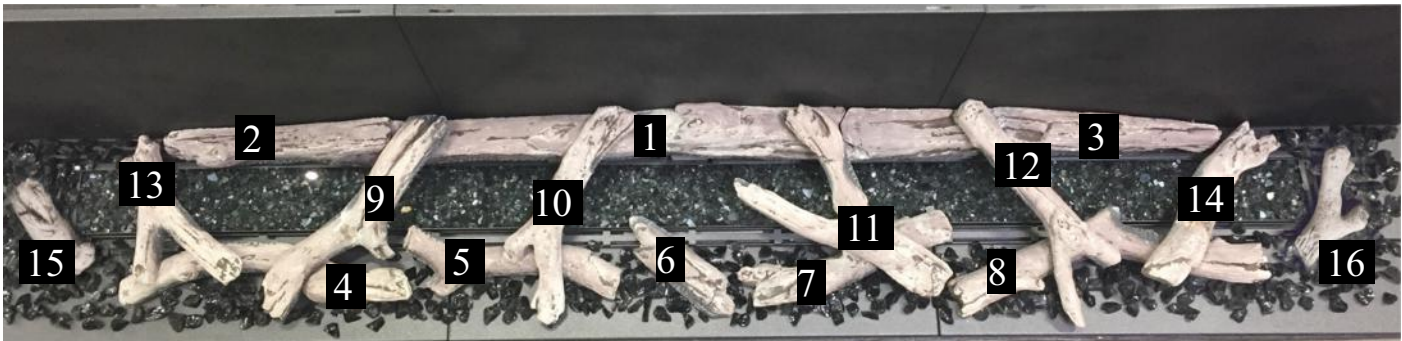


Log 13

22. Install Logs 15 and 16--place each log on the glass at each end of the burner as shown below.



Logs 15 + 16



Final Install

# installation

## Optional Birch Wood Log Set Installation

Read the instructions below carefully and refer to the images. If the logs are broken do not use the unit until they are replaced. Broken logs can interfere with pilot operation.

Improper positioning of the logs may create carbon build-up and can alter the unit's performance which is not covered under warranty.

\*Paint is included if touch ups are required.



1	Rear Center Log
2	Rear Left Log
3	Rear Right Log
4	Left Front Log
5	Front Log (left of center)
6	Front Centre Log Piece
7	Front Right Log (right of center)
8	Front Right Log
9	Left cross log (2nd left from center)
10	Left cross log (left of center)
11	Right cross log (right of center)
12	Right cross log (2nd right from center)
13	Left cross log (far left log)
14	Right cross log (far right log)
15	Left end log
16	Right end log
	Log Brackets (3)
	Lava rock (purchased separately from log set)
	2 lb Black Fireglass (purchased separately from log set)
	Glowing wool (supplied with unit)
	3/4" Crushed black glass or iceberg chips (purchased separately from log set)

1. Shut off gas and electrical supply, allow unit to cool to room temperature.
2. Remove barrier glass (if already installed) and firebox glass (see manual).
3. Carefully remove the logs from the packaging and unwrap them. The logs are fragile, handle with care—never force into position.
4. Install Black Fireglass (2lb) and glowing wool on the burner as shown below.



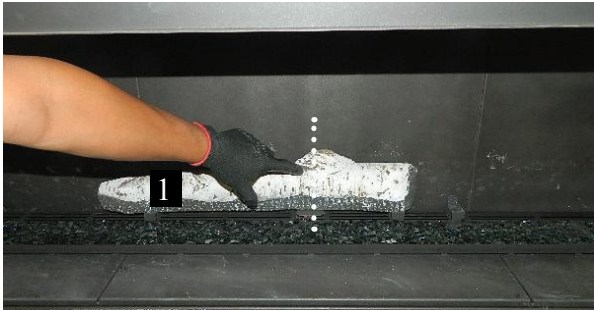
*Burner covered with Fireglass and glowing wool*

5. Clip on the log guides - position the rear guides by centering over the two vertical lines on either side of the pilot hood at the back of the burner. Install a second log guide on the 2nd vertical line right of the pilot hood.



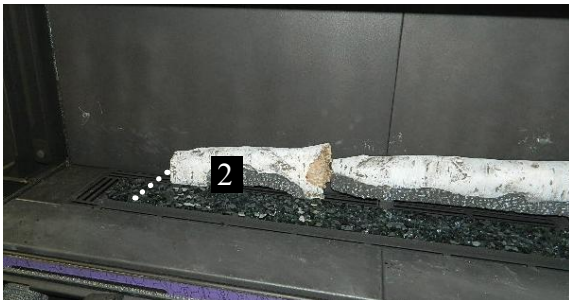
*Log guides installed*

6. Place Log 1 behind the burner. Log 1 will rest on the pilot hood and 2 center log guides. Line up the knot on the top of the log with the center of the pilot hood when seating.



*Line up knot to center of pilot hood*

7. Install Log 2 to the left of Log 1. Line up the left end of Log 2 with the last vertical line on the back of the burner as shown below.



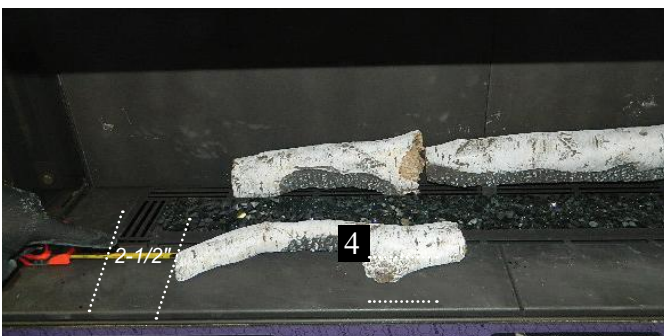
*Log 2*

8. Install Log 3 to the right of Log 1, rest the left side on the log guide and the right side on the glass crystals as shown.



*Log 3*

9. Install Log 4 in front of the burner on the panel. Position the left end of Log 4 2-1/2" to the right of the left end of the burner as shown below.



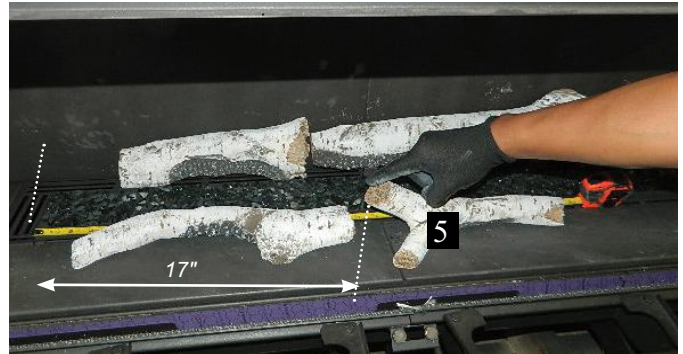
*Log 4 to edge of burner*

10. The left end of Log 4 should also sit 2" from the edge of the front panel.



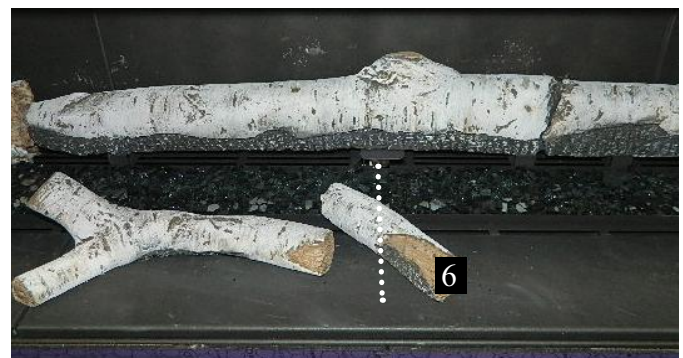
*Log 4 —2" to end of front panel*

11. Place Log 5 on the center panel in front of the burner. Position the left end of the log 17" from the left edge of the burner as shown below.



*17" from edge of burner*

12. Place Log 6 on the diagonal--line up the centre of Log 6 with the center vertical line at the front of the burner.



*Line up with center vertical line + center of pilot hood*

# installation

13. Install Log 7 on the diagonal--line up the left end of Log 7 with the 4th vertical line from the right on the front of the burner as shown below.



Log 7 end lined up with 4th vertical bar

14. Install Log 8--the knot on the log should rest on the 2nd vertical line from the right at the front of the burner and the left end of the log should sit 1" from the edge of the panel. The right end of Log 8 should be 2-1/2" from the right edge of the burner.



Log 8 placement

15. Install one box (3.5lbs) of 3/4" black coal around the logs installed on the panels as shown below.



Black Coal around logs on panels



Correct Black Coal placement - Driftwood logs shown

16. Install Log 9--line up the pin locator on Log 9 with the pin on Log 1 and rest the other end of Log 9 on the rest on Log 4 as shown below.



Log 9

17. Install Log 10--line up the pin locator on Log 10 with the pin on Log 1 and rest the other end of Log 10 on the rest on Log 5 as shown below.



Log 10

18. Install Log 11--line up the pin locator on Log 11 with the pin on Log 1 and rest the other end of Log 11 on the rest on Log 7 as shown below.



Log 11



19. Install Log 12--line up the pin locator on Log 12 with the pin on Log 3 and rest the other end of Log 12 on the rest on Log 8 as shown below.



Log 12

21. Install Log 14--place one end of Log 14 on the rest on Log 8 and the opposite end on the back edge of the burner as shown below.



Log 14

20. Install Log 13--rest the longer part of the 'Y' of Log 13 on the rest in Log 4. Rest the opposite end of Log 13 on the back edge of the burner as shown.

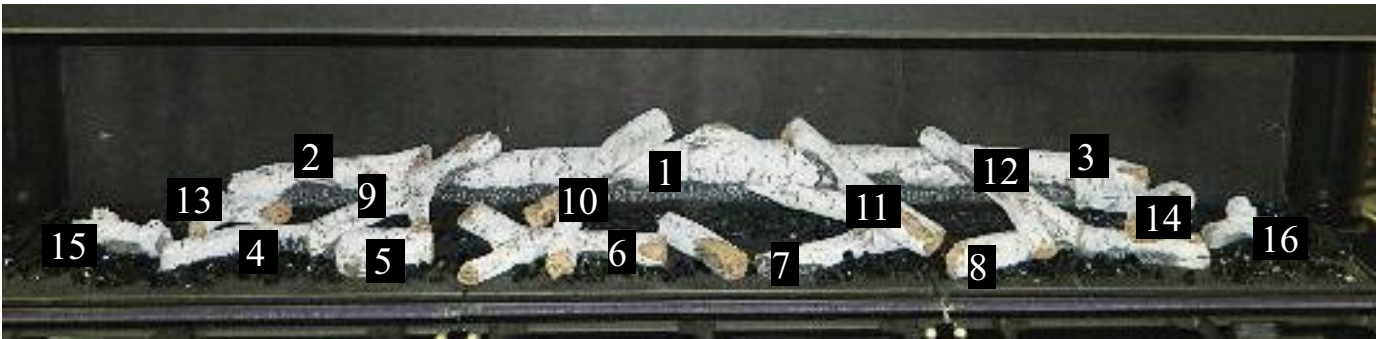


Log 13

22. Install Logs 15 and 16--place each log on the glass at each end of the burner as shown below.



Logs 15 + 16



Final Install

# installation

## Optional Split Wood Log Set Installation

Read the instructions below carefully and refer to the images. If the logs are broken do not use the unit until they are replaced. Broken logs can interfere with pilot operation.

Improper positioning of the logs may create carbon build-up and can alter the unit's performance which is not covered under warranty.

\*Dark brown paint is included if touch ups are required.



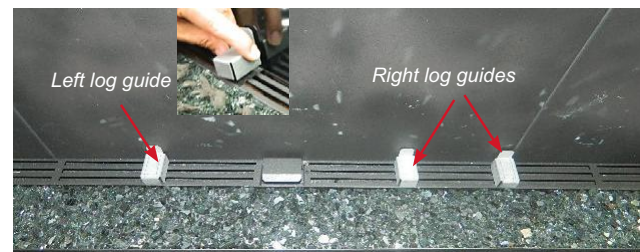
1	Rear Center Log
2	Rear Left Log
3	Rear Right Log
4	Left Front Log
5	Front Log (left of center)
6	Front Centre Log Piece
7	Front Right Log (right of center)
8	Front Right Log
9	Left cross log (2nd left from center)
10	Left cross log (left of center)
11	Right cross log (right of center)
12	Right cross log (2nd right from center)
13	Left cross log (far left log)
14	Right cross log (far right log)
15	Left end log
16	Right end log
	Log Brackets (3)
	Lava rock (purchased separately from log set)
	2 lb Black Fireglass (purchased separately from log set)
	Glowing wool (supplied with unit)
	3/4" Crushed black glass or iceberg chips (purchased separately from log set)

1. Shut off gas and electrical supply, allow unit to cool to room temperature.
2. Remove barrier glass (if already installed) and firebox glass (see manual).
3. Carefully remove the logs from the packaging and unwrap them. The logs are fragile, handle with care—never force into position.
4. Install Black Fireglass (2lb) and glowing wool on the burner as shown below.



*Burner covered with Fireglass and glowing wool*

5. Clip on the log guides - position the rear guides by centering over the two vertical lines on either side of the pilot hood at the back of the burner. Install a second log guide on the 2nd vertical line right of the pilot hood.



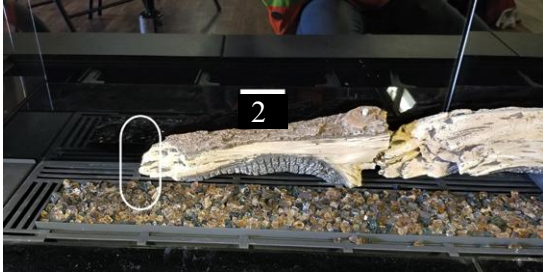
*Log guides installed*

6. Place Log 1 behind the burner. Log 1 will rest on the pilot hood and 2 center log guides. Line up the log with the center of the pilot hood when seating.



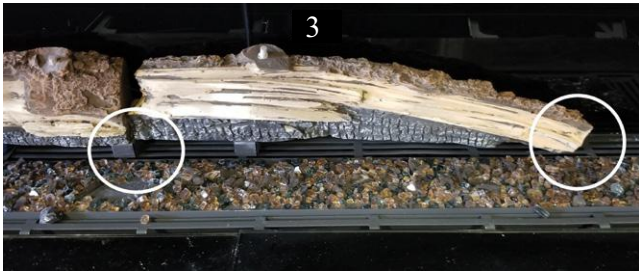
Line up to center of pilot hood

7. Install Log 2 to the left of Log 1. Line up the left end of Log 2 with the last vertical line on the back of the burner as shown below.



Log 2

8. Install Log 3 to the right of Log 1, rest the left side on the log guide and the right side on the glass crystals as shown.



Log 3

9. Install Log 4 in front of the burner on the panel. Position the left end of Log 4 2-1/2" to the right of the left end of the burner as shown below.



Log 4 to edge of burner

10. The left end of Log 4 should also sit 2" from the edge of the panel as shown below.



2" to edge of panel

11. Place Log 5 on the center panel in front of the burner. Position the left end of the log 17" from the left edge of the burner as shown below.



17" from edge of burner

12. Place Log 6 on the diagonal—line up the centre of Log 6 with the center vertical line at the front of the burner.



Line up with center vertical line + center of pilot hood

13. Install Log 7 on the diagonal—line up the left end of Log 7 with the 4th vertical line from the right on the front of the burner as shown below.



Log 7 end lined up with 4th vertical bar

# installation



14. Install Log 8 - the left end of the log should sit 1" from the edge of the panel. The right end of Log 8 should be 2-1/2" from the right edge of the burner.

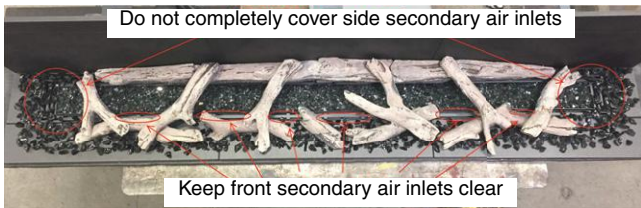


Log 8

15. Install one box (3.5lbs) of 3/4" black coal around the logs installed on the panels as shown below.



Black Coal around logs on panels



Correct Black Coal placement

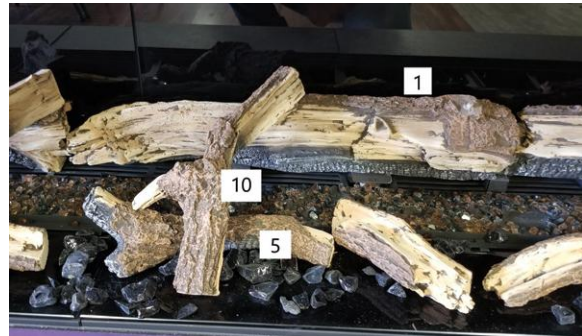
16. Install Log 9--line up the pin locator on Log 9 with the pin on Log 1 and rest the other end of Log 9 on the rest on Log 4 as shown below.



Log 9

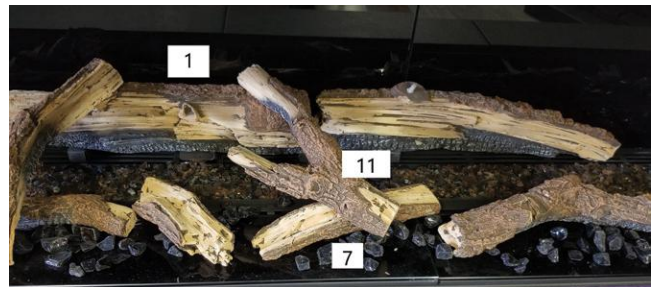


17. Install Log 10—line up the pin locator on Log 10 with the pin on Log 1 and rest the other end of Log 10 on the rest on Log 5 as shown below.



Log 10

18. Install Log 11--line up the pin locator on Log 11 with the pin on Log 1 and rest the other end of Log 11 on the rest on Log 7 as shown below.



Log 11

19. Install Log 12--line up the pin locator on Log 12 with the pin on Log 3 and rest the other end of Log 12 on the rest on Log 8 as shown below.



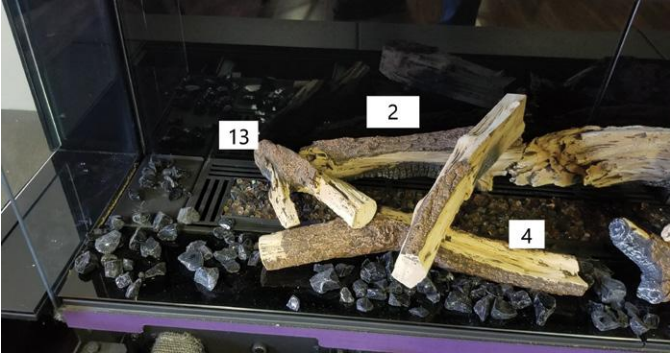
Log 12

21. Install Log 14--place one end of Log 14 on the rest on Log 8 and the opposite end on the back edge of the burner as shown below.



Log 14

20. Install Log 13--rest the longer part of the 'Y' of Log 13 on the rest in Log 4. Rest the opposite end of Log 13 on the back edge of the burner as shown.



Log 13

22. Install Logs 15 and 16--place each log on the glass at each end of the burner as shown below.



Logs 15 + 16



Final Install

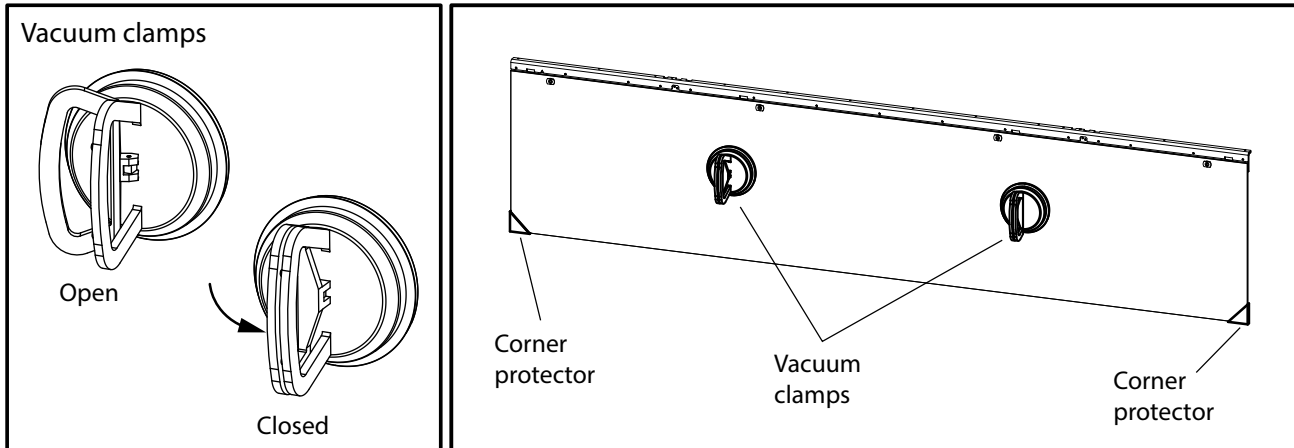
# installation

## Glass Barrier Installation - Front

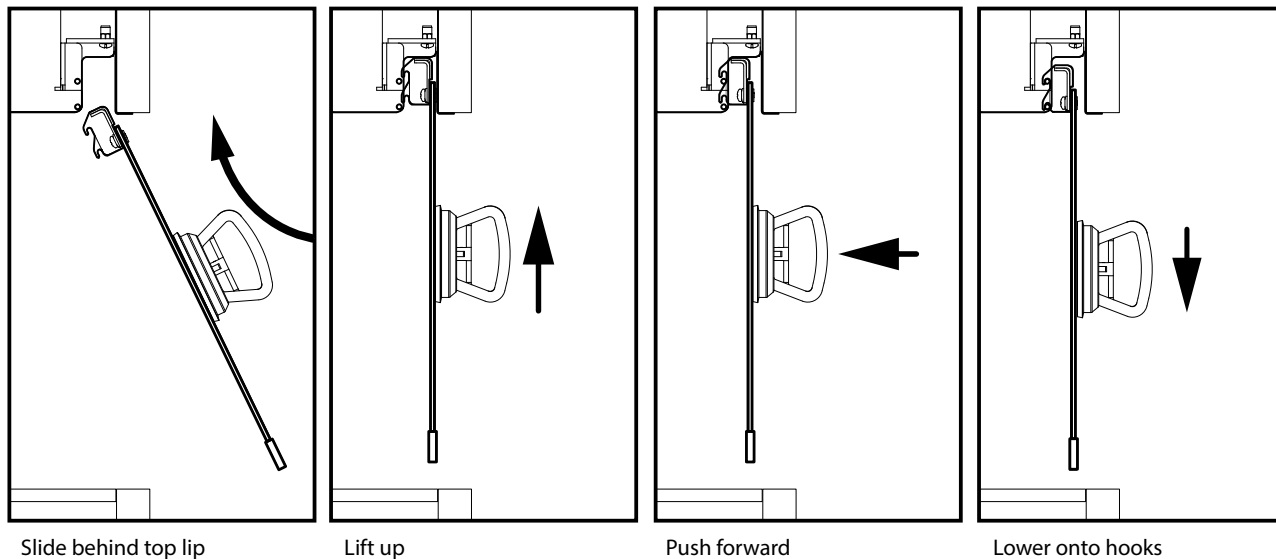
[Glass barrier removal video](#)



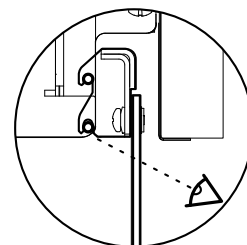
1. Ensure fireplace is operating properly and all firebox glass, and liner panels are installed prior to installing the glass safety barrier.
2. Remove the protective peel from the glass safety barrier and clean the inner surface. Identify the hooks on the glass safety barrier, these indicate the inner surface.
3. Attach the vacuum clamps to the glass as shown on the outer surface. Press the vacuum clamps against the glass, then close the clamps while maintaining pressure on the glass.
4. Slide the corner protectors onto the bottom corners of the glass.



5. Holding the glass barrier in front of the unit, slide it up behind the top lip of the unit. Lift the barrier up as far as it goes, then hook the barrier onto the unit.



6. Visually inspect that the lower hooks are sitting over their pins and that the glass is sitting level and centered in the opening.
7. Remove vacuum clamps and corner protectors.
8. To remove glass, see owner's manual.

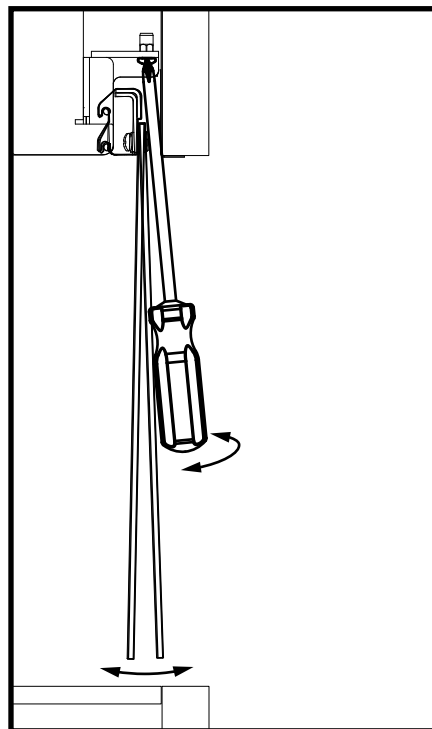
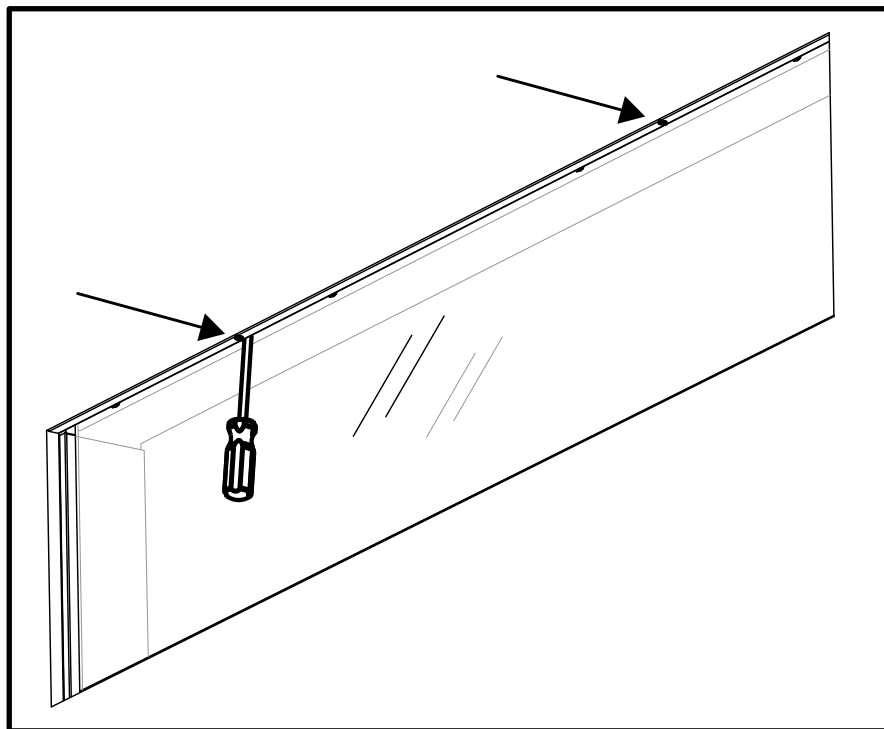


**Glass Barrier Adjustment**

If glass isn't hanging straight, use a phillips screwdriver to adjust the angle.

Clockwise = angles barrier out toward you

Counter clockwise = angles barrier in towards the unit.



Slide the screwdriver straight up at the two indicator slots.

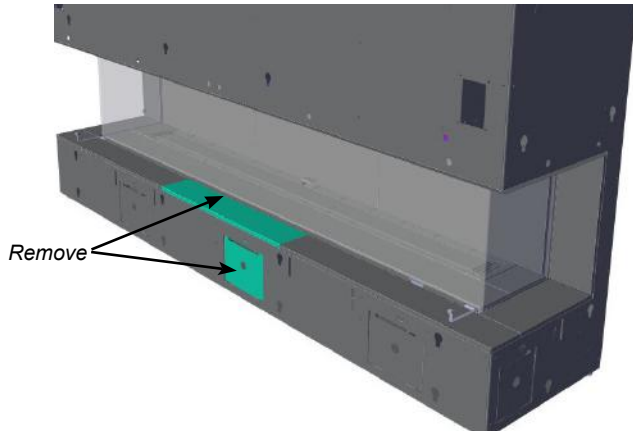
# operating instructions

## Aeration Adjustment

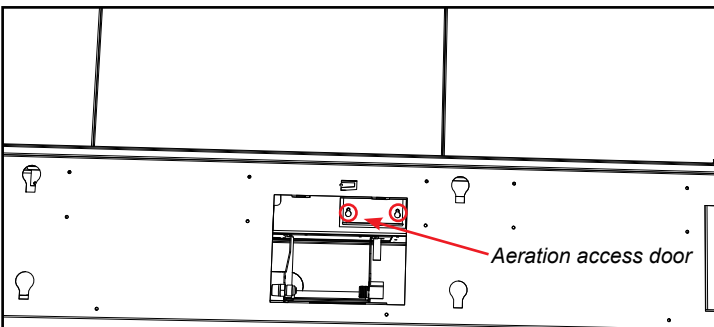
The burner aeration is factory set but may need adjusting due to either the local gas supply or altitude. Open the air shutter for a blue flame or close for a more yellow flame.

**Note:** If the firebox glass, logs, inner panels, etc. are already installed, the aeration can be adjusted from outside the firebox.

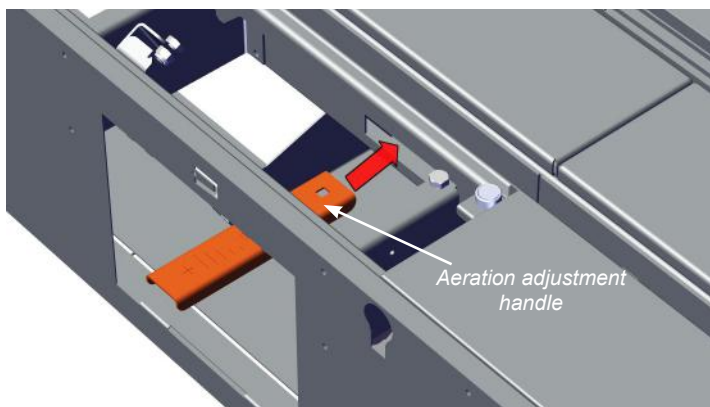
1. Remove the centre access panel on the outer trim, if finishing material is already installed, remove the glass safety barrier and center outer panel--see instructions in this manual.



2. Loosen 2 screws on the aeration lever access door. Lift the door up and out to remove.



3. Attach the handle to the aeration lever through the access opening--handle will slide into position on the lever.



**NOTE:** The aeration handle is located near the right hand side of the gas valve access door -- attached by a magnet.

4. Adjust aeration accordingly.  
Pushing lever in -- closes the air shutter.  
Pulling the lever outward -- opens the air shutter.

## Minimum Air Shutter Opening

NG	3/16"
NG with Logs	3/16"
NG with Stones	3/16"
LP	3/8"
LP with Logs	3/8"
LP with Stones	3/8"

Note: Any damage due to carboning resulting from improperly setting the aeration controls is NOT covered under warranty.

5. Remove the handle by lifting up and out--replace the access door and tighten the 2 screws. Hang the handle back onto the magnet.
6. Reverse Step 1.



[Aeration adjustment video](#)



## Maintenance Instructions

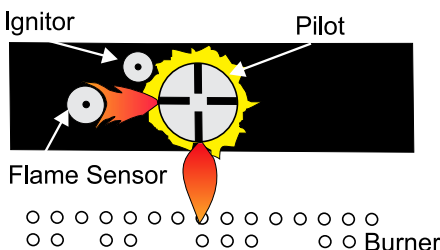
1. Always turn off the gas valve before cleaning. For relighting, refer to lighting instructions. Keep the burner and control compartment clean by brushing and vacuuming at least once a year. When cleaning the logs, use a soft clean paint brush as the logs are fragile and easily damaged.
2. Clean appliance and door with a damp cloth (never when unit is hot). Never use an abrasive cleaner. The glass should be cleaned with a gas fireplace glass cleaner. **The glass should be cleaned when it starts looking cloudy.**
3. The fireplace is finished in a heat resistant paint and should only be refinished with heat resistant paint. Regency® uses StoveBright Paint - Metallic Black #6309.
4. Make a periodic check of burner for proper position and condition. Visually check the flame of the burner periodically, making sure the flames are steady; not lifting or floating. If there is a problem, call a qualified service person.
5. The appliance and venting system must be inspected before use, and at least annually, by a qualified field service person, to ensure that the flow of combustion and ventilation air is not obstructed.

**Note: Never operate the appliance without the glass properly secured in place.**

6. Do not use this appliance if any part has been under water. Immediately call a qualified service technician to inspect the appliance and to replace any part of the control system and any gas control which has been under water.
7. In the event this appliance has been serviced check that the vent-air system has been properly resealed & reinstalled in accordance with the manufacturer's instructions.
8. Verify operation after servicing.

## Flame Pattern

Periodically check the pilot and main burner flames. **Correct pilot flame pattern has two strong blue flames: 1 flowing around the flame sensor and 1 flowing across the burner (it does not have to be touching the burner).**



**Note: If you have an incorrect flame pattern, contact your Regency® dealer for further instructions.**

**Incorrect flame pattern will have small, probably yellow flames, not coming into proper contact with the rear burner or flame sensor.**



Correct main burner flame pattern

## General Vent Maintenance

Conduct an inspection of the venting system semi-annually. Recommended areas to inspect as follows:

1. Check the Venting System for corrosion in areas that are exposed to the elements. These will appear as rust spots or streaks, and in extreme cases, holes. These components should be replaced immediately.
2. Remove the Cap, and shine a flashlight down the Vent. Remove any bird nests, or other foreign material.
3. Check for evidences of excessive condensation, such as water droplets forming in the inner liner, and subsequently dripping out the joints. Continuous condensation can cause corrosion of caps, pipe, and fittings. It may be caused by having excessive lateral runs, too many elbows, and exterior portions of the system being exposed to cold weather.
4. Inspect joints, to verify that no pipe sections or fittings have been disturbed, and consequently loosened. Also check mechanical supports such as Wall Straps, or plumbers' tape for rigidity.

## Log Replacement

The unit should never be used with broken logs. Turn off the gas valve and allow the unit to cool before opening door and carefully remove the logs. (The pilot light generates enough heat to burn someone.) If for any reason a log should need replacement, you must use the proper replacement log. The position of these logs must be as shown in the diagrams under Log Installation.

**Note: Improper positioning of logs may create carbon build-up and will severely alter the unit's performance which is not covered under warranty.**

## Glass Gasket

If the glass seal on the appliance requires replacement a graphite seal specifically designed for this appliance is required. Part # is 666-124 for the sides with 2 required and part # 666-125 for the top/bottom with 8 required. These are applied with self adhesive tape.

There is also gasket installed on each side of the inner glass to protect against breakage when installing the glass. Gasket part number is 936-222. This is sold per foot. 3 feet in total is required to complete both sides.

## Glass

Your Regency® fireplace is supplied with high temperature 5mm-Tempered outer glass & 5mm-Ceramic inner glass. If your glass requires cleaning, we recommend using an approved glass cleaner available at all authorized dealers. Do not use abrasive materials.

### CAUTION & WARNINGS:

- \* Do not clean when the glass is hot.
- \* The use of substitute glass will void all product warranties.
- \* Care must be taken to avoid breakage of the glass.
- \* Do not strike or abuse the glass.
- \* Do not operate this fireplace without the glass front or with a cracked or broken glass front.
- \* Wear gloves and safety glasses when removing damaged or broken glass.
- \* Replacement of the glass panels should be done by a licensed or qualified service person.

## Glass Replacement

In the event that you break your glass by impact, purchase your replacement from an authorized Regency dealer only. Replacement glass is shipped already installed into the door frame. Reinstall as per Glass Installation in the "Glass Installation" section.

### REPLACEMENT GLASS:

#### CB72EPV

- Outer Safety Glass Front - Tempered (Part# 940-500/P)
- Outer Safety Glass Right Side- Tempered (Part# 940-502/P)
- Outer Safety Glass Left Side- Tempered (Part# 940-503/P)

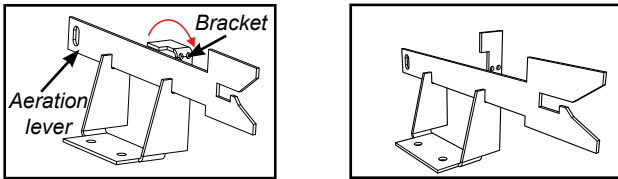
- Inner Glass Front - Ceramic (Part# 940-499/P)
- Inner Glass Side - Ceramic (Part# 940-498/P)

# maintenance

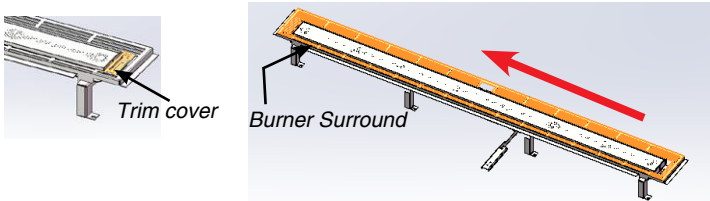
## Valve Replacement

**Important:** Always shut off gas supply/120 volt power prior to servicing the gas valve.

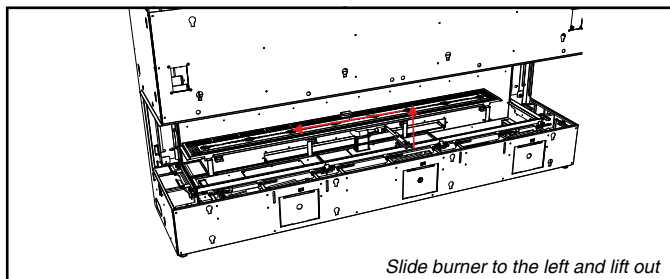
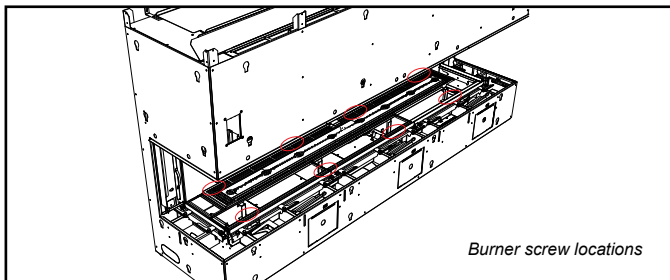
1. Turn off unit and allow to cool to room temperature.
2. Remove outer enamel or steel panels—see instructions in the panel removal section in this manual
3. Remove outer safety (barrier) and inner glass (firebox glass)—see instructions in this manual.
4. Remove all media and logs (if installed) — set aside.
5. Remove inner base panels--see panel section in this manual.
6. Bend the arm of the aeration lever bracket up from 90° to straighten and release aeration lever (lever will come with the burner).



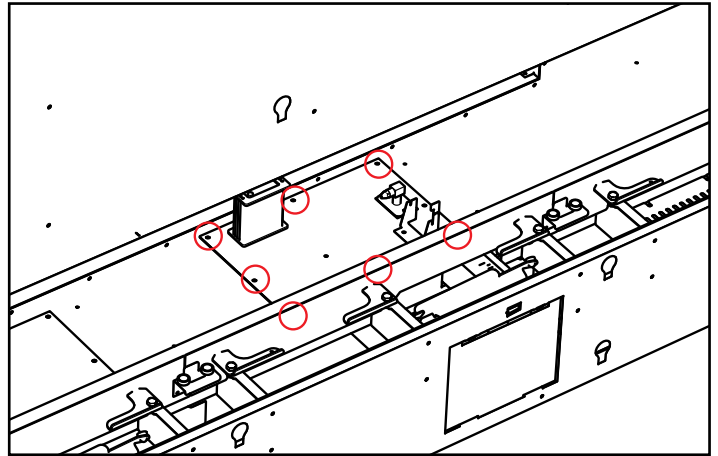
7. Remove the trim cover on right side of burner by lifting off. Also remove the burner surround by sliding to the left and lifting off.



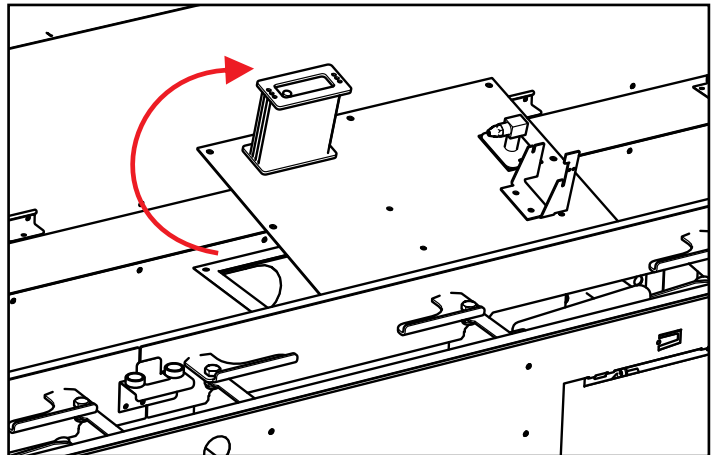
8. Loosen 8 screws in locations shown below (2 at front and 2 at rear)—slide burner to the left away from the orifice and lift out.



9. Remove 8 screws in locations shown below.



10. Lift valve tray out partially and disconnect flexible gas connection on the valve inlet side, remove valve tray- replace with new valve tray.



11. Reverse Steps 7-1 to complete.

**Power Vent Maintenance**

**External Power Vent Access**

1. Remove 4 screws located around inner trim (Diagram 1).



Diagram 1

2. Loosen 4 screws and slide shield up and out (Diagram 2) once access has been made into power vent housing, you can remove the pressure switch and fan motor.



Diagram 2

3. Remove the pressure switch by disconnecting red and blue wires from pressure switch (Diagram 3) Disconnect Hose from underside of pressure switch (Diagram 4)

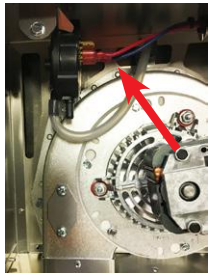


Diagram 3

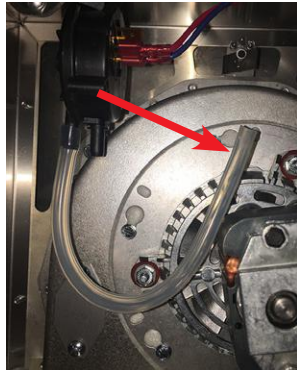


Diagram 4

4. Loosen (1) one Phillips head screw securing the pressure switch to the power vent housing (Diagram 5) once the pressure switch is free from the Housing unit, it is possible to replace the pressure switch by removing (1) one Phillips head screw holding the pressure switch to mounting bracket (Diagram 6).



Diagram 5

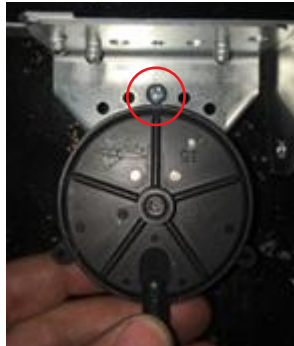


Diagram 6

**Replacing the power vent motor:**

1. Turn off power supply.
2. Loosen 6 x 1/4" hex screws slightly.
3. Turn power vent motor counter clockwise and lift out. (Diagram 7)

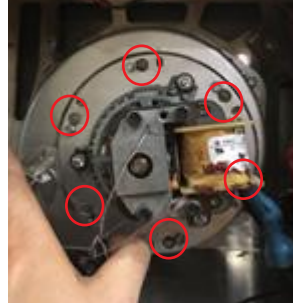


Diagram 7

4. Disconnect power to motor by disconnecting black and black wire and white and black wire (Diagram 8) power vent motor is now free from the unit.
5. Loosen 4 screws and slide shield up and out (Diagram 2) once access has been made into power vent housing, you can remove the pressure switch and fan motor.
6. Removing the pressure switch by disconnecting red and blue wires from pressure switch (Diagram 3)
7. Disconnect Hose from underside of pressure switch (Diagram 4) Loosen one Phillips head screw holding the pressure switch to the power vent housing (Diagram 5) once the pressure switch is free from the Housing unit it is now possible to replace the pressure switch by removing one Phillips head screw holding the pressure switch to mounting bracket. (Diagram 6)
8. Replacing the power vent motor firstly turn off power supply, Then slightly loosen 6 x 1/4" hex screws turn power vent motor counter clockwise and out, (Diagram 7)
9. Disconnect power to motor by disconnecting black and black wire and white and black wire (Diagram 8) power vent motor is now free from the unit.



Diagram 8

# maintenance

## Power Vent Maintenance

### Internal Power Vent Access

Note: May only be accessed if an access panel was installed for servicing from inside.

1. Turn off the power.
2. Remove 8 Phillips head screws from the rear of the power vent (see Diagram 1).

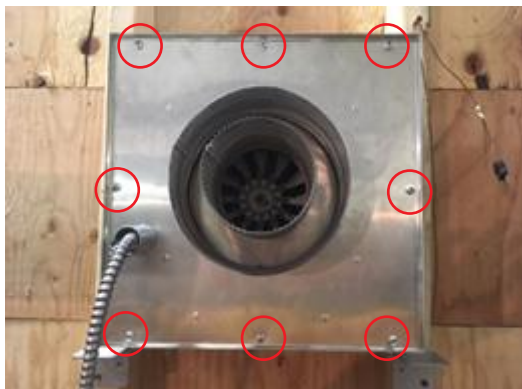


Diagram 1

3. Slide the power vent housing out through the back as shown in Diagram 2.



Diagram 2

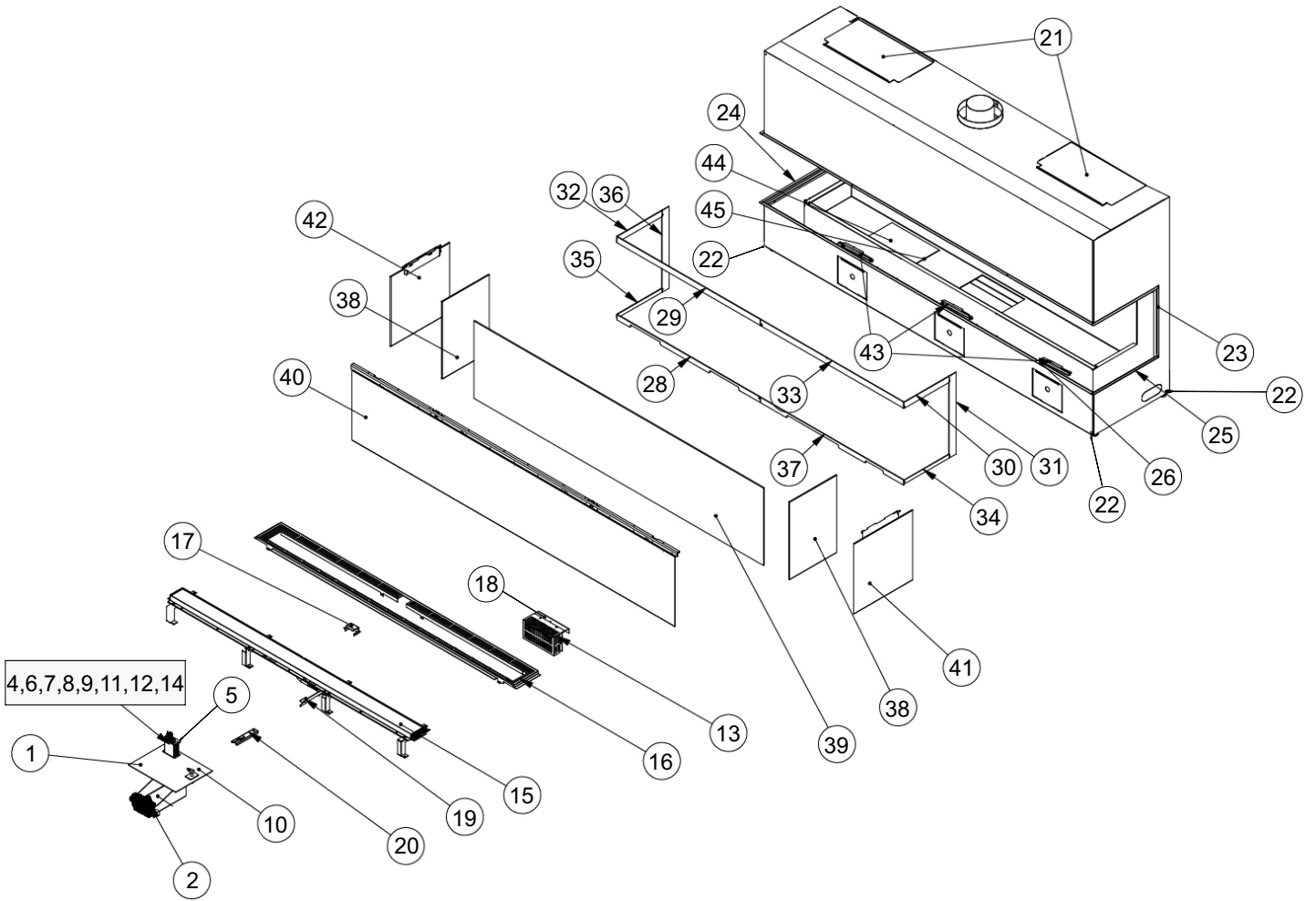
4. Turn the power vent over to the front side (Diagram 3).



Diagram 3

5. Follow Steps 1-9 on previous page.

CB72EPV Main Assembly



# parts list

## Main Assembly

	Part #	Description
1	666-574/P	Valve Assembly Complete - NG
1	666-776/P	Valve Assembly Complete - LP
2	911-084	Novasit Valve - NG 885 SIT IPI 0.885.001
2	911-085	Novasit Valve - LP 885 SIT IPI 0.885.002
3	911-010	Stepper Motor - NG For 885/886 SIT 0.907.013
3	911-011	Stepper Motor - LP For 885/886 SIT 0.907.012
4	911-139	Novasit Pilot Assembly IPI SIT NG 2 Flame 0.199.064
4	911-281	Novasit Pilot Assembly IPI SIT LP 2 Flame
5	W840470	Gasket Pilot Assembly
6	911-039	Two Way Pilot Hood
7	911-137	Pilot Hood Clip
8	910-100	Novasit Pilot Orifice - NG #62 977.166
9	910-037	Novasit Pilot Orifice - LP #30 977.167
10	905-013	Burner Orifice #30 - NG (PO512)
10	905-014	Burner Orifice #47 - LP (PO512)
11	911-110	Flame Electrode Spark (Long) 0.915.119
12	911-111	Flame Sense (Long) 0.915.910
14	910-432	Novasit Pilot Tubing With Nuts
13	911-241/PV	IFC Board Complete 584.305
15	666-519/P	Burner Assembly - NG/LP
16	666-080	Burner Surround
17	666-081	Pilot Cover
18	666-085	IFC Cover
19	666-074F	Air Shutter Adjuster Slide Plate
20	666-075	Air Shutter Adjuster Tool
21	666-117	Top Cover Plate
22	948-055	Rubber Adjustable Leg 3/8-16 x 3 in. Nylon Base (Each)
23	671-074	Removable Finishing Trim Vertical Sides (Each)
24	671-075	Removable Finishing Trim Left Side
25	671-076	Removable Finishing Trim Right Side
26	671-077	Removable Finishing Lip Front
	671-523/P	Gasket Novatec Inner complete Kit (10 Pieces) Items 28-37
28	671-064	Gasket Novatec Front Bottom Left
29	671-065	Gasket Novatec Front Top Left
30	671-066	Gasket Novatec Right Top
31	671-067	Gasket Novatec Side Wall Right
32	671-068	Gasket Novatec Left Top
33	671-069	Gasket Novatec Front Top Right
34	671-070	Gasket Novatec Right Bottom
35	671-071	Gasket Novatec Left Bottom
36	671-072	Gasket Novatec Side Wall Left
37	671-073	Gasket Novatec Front Bottom Right
38	940-437/P	Replacement Side Inner Ceramic Glass (Each)
39	940-499/P	Replacement Front Inner Ceramic Glass (Each)

	Part #	Description
40	940-500/P	Outer Barrier Glass Front Complete/Includes Bracket
41	940-502/P	Outer Barrier Glass Right Complete/Includes Bracket
42	940-503/P	Outer Barrier Glass Left Complete/Includes Bracket
43	666-534	Inner Glass Safety Rest
44	666-070F	Access Plate
45	666-019	Access Plate Gasket
N/S	656-039	Gasket Orifice Mount
N/S	904-165	Fitting 3/8 Male Flarex Mpt Strt Adaptor
N/S	904-943	Bracket Dormont Orifice Mount 10-BZ001-19.5
N/S	904-606	Fitting 90 Street Elbow Extruded
N/S	904-658	Inlet Flex Line Gas SS Steel 24 inch
N/S	908-528	Label Propane Red
N/S	908-529	Label Natural Gas Yellow
N/S	904-687	Connector Clamp 3/8 CI-804
N/S	904-790	Magnet Round 1/2 inch x 1/8 inch
N/S	904-970	Cup Magnet 1/2 inchx5/8 inch OD (Rivet)
N/S	905-001	Phillip Offset Screwdriver 3cm x 9cm
N/S	904-531	Plastic Bushing (Each)
N/S	911-173	Wire Harness IFC No CPI Switch 584.924
N/S	911-175	Remote Control GTMFL SIT 0.584.042
N/S	911-181	Wire Harness Battery Box Proflame II
N/S	911-187	Holder Battery W/Switch 584.103
N/S	911-193	Connector W/Jumper
N/S	911-209	Wire 2 Pos IFC to Lights
N/S	911-262-ASM	Power Cord 120 Volts W/Connector
N/S	910-199	Clip Wire Holder
N/S	910-369	Receptacle Box Low Volt. SC100A
N/S	910-428	Receptacle Duplex White
N/S	910-429	Receptacle Box Duplex Metal
N/S	910-430	Receptacle Cover Duplex Metal
N/S	910-576	Cover Wall Mount White 0.584.803
N/S	656-047	Rear Log Stand (Each) 3 Per Log Set
N/S	656-074F	Standoff (Each) 4 Per
N/S	656-085	Light Cover Gasket ( Each)
N/S	666-097	Light Shroud (Each)
N/S	671-025	Light Bracket
N/S	671-026	Light Cap (Each)
N/S	671-085	Gasket Light Cap (Each)
N/S	911-272	Oven Lamp G9 120V 25W (Wire 136.3" Long) (Each)
N/S	911-072	G9/120 Volt/25 Watt Replacement Halogen Bulb
N/S	656-131	Bracket Logo
N/S	948-223	Logo Plate Plastic Regency/Flame Silver
N/S	656-202	Top Rear Panel Clip (Each) Glass Panel
N/S	666-012	Bottom Rear Bracket (Each) Glass Panel

	Part #	Description
N/S	666-019	Access Plate/Valve Assembly Gasket
N/S	666-111	Primary Air/Aeration Cover Plate
N/S	666-020	Primary Air/Aeration Cover Plate Gasket
N/S	656-279F	1/2 " Wrench Leveling Legs
N/S	666-021	Pressure Relief Plate Gasket (Each)
N/S	666-037	Upper Glass Bracket
N/S	666-038	Upper Glass Clamp
N/S	666-039	Upper Glass Clamp Left
N/S	666-041	Upper Glass Rail Right
N/S	666-042	Upper Glass Rail Left
N/S	666-047	Relief Door Bracket
N/S	666-048	Relief Door Bracket Right
N/S	666-052	Lower Glass Rail Left
N/S	666-054	Lower Glass Rail Center
N/S	666-055	Lower Glass Rail Right
N/S	666-056	Glass Support/ Lift Lever (Each)
N/S	666-058	Top Glass Seal Support Bracket (Each)
N/S	666-122F	Heatwave Heatshield
N/S	936-222	Inner Glass Side Gasket (Sold per Foot) (Each) 2 Feet required
N/S	936-243	Upper/Lower Channel/Rail Gasket (sold per Foot 18 feet required) (Sold per Foot)
N/S	946-634	Glowing Wool Black Sea 6 Gram
N/S	948-078	Glass Suction Cup (Each)
N/S	948-020	Clip Spring 0.20 x 0.375 1095 Bt
N/S	671-081	Barrier Glass Support Damper Right
N/S	671-082	Barrier Glass Support Damper Left

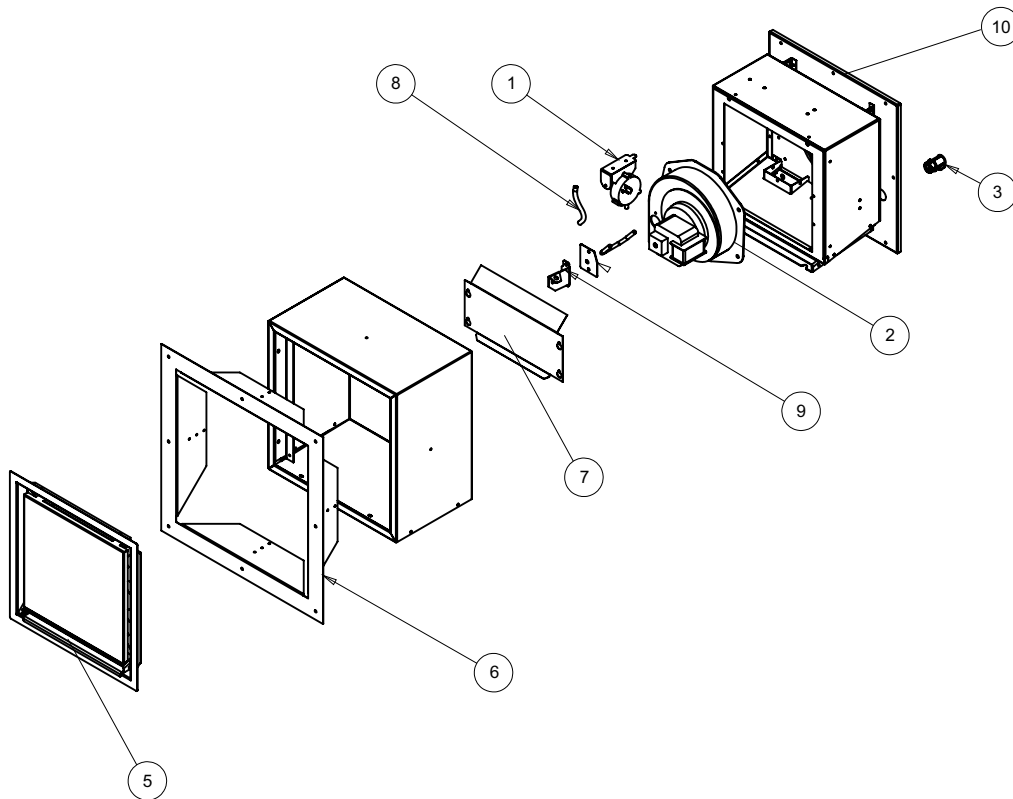
Accessories		
	Part #	Description
N/S	946-780	Crushed Glass Coal Black 3/4in.
N/S	946-781	Crushed Glass Iceberg Chips 3/4in.
N/S	946-675	Black Reflective Crystals (1 pound)
N/S	946-676	Copper Reflective Crystals (1 pound)
N/S	946-677	Starfire Reflective Crystals (1 pound)
N/S	946-710	Slate Black & Gray Basalt Volcanic Stones
N/S	946-711	Ivory & Tan Basalt Volcanic Stones
N/S	770-994	DuraVent Rigid Pipe Adaptor
N/S	946-758	Flex Vent Flue Adaptor 5"x8" to 4"x6-5/8"
N/S	946-606	Starter Collar Reducer 5"x8" to 4"x6-5/8"
N/S	671-907	Black Steel interior panels
N/S	671-908	Black Enamel Inner Reflective Panels
N/S	666-991	Flush Front Chase Vent-Matte White
N/S	671-906	Black Glass Inner Reflective Panels
N/S	671-930/P	Ceramic Driftwood Log Set
N/S	671-932/P	Ceramic Birch Log Set
N/S	671-927	Corner conversion - Black
N/S	671-928	Corner conversion - Enamel
N/S	671-900	Steel Stud Framing Kit (Bay Model)
N/S	666-977	Conversion Kit - LP

# parts list

## Power Vent

Power Vent Kit Complete Part #946-535

#	Part Number	Description
1	911-112/P	Pressure Switch/Sensor (includes Bracket)
2	911-244/P	Power Vent Fan Assembly
3	905-017	Straight Wire Connector/Clamp
5	946-536	Power Vent SS Front Faceplate
6	946-130	Power Vent SS Outer Perimeter Trim
7	946-157	Power Vent SS Water Deflector
8	911-047	Silicone Tubing (Sold Per Foot) (6 inches required For Power Vent)
9	946-163	Pressure Switch/Sensor Bracket
10	946-539	Power Vent Outer Intake Assembly
N/S	946-540	Power Vent Inner Intake Assembly
N/S	911-254	Pressure Switch Wire Harness Blue/Red
N/S	911-255	Pressure Switch Wire Harness Shrink Wrapped Blue/Red







# warranty

## Limited Lifetime Warranty

FPI Fireplace Products International Ltd. (for Canadian customers) and Fireplace Products U.S., Inc. (for U.S. customers) (collectively referred to herein as "FPI") extends this Limited Lifetime Warranty to the original purchaser of this appliance provided the product remains in the original place of installation. The items covered by this limited warranty and the period of such coverage is set forth in the table below.

Some conditions apply (see below).

The policy is not transferable, amendable or negotiable under any circumstances.

Indoor Gas Products Warranty Coverage Parts and Labor	Part				Supplier	Labor Coverage
	Lifetime	5 years	2 years	1 year	Warranty	(Years)
Firebox and Heat Exchanger	✓					3
Steel Burner Tube	✓					3
Glass Thermal breakage only	✓					3
All Surrounds/Inlays Finishes		✓				3
Brick Panels/Log sets/Ceramic Burners		✓				3
All Castings		✓				3
Valve assembly and all gas control components, (Pilot assembly, flame sensors, Spark Electrode, Pilot Tubing, Orifices, Thermocouple, Thermopile)			✓			2
All Other Electrical components, (Ignition Control Boards, Wiring, Switches, Blowers, Blower Control Module, Battery Pack, Remote Control Systems)			✓			2
Enamel Panels			✓			1
Venting/Venting Components			✓			1
All Stainless steel surrounds				✓		1
All Firebox Media (Crystals, Firebeads, Volcanic, Ceramic & Spa Stones)				✓		1
All hardware				✓		1
Mesh/Glass Safety Barriers				✓		1
Accent Light Bulbs				✓		1
Glass (Crazing)				✓		1

### Conditions:

Warranty protects against defect in manufacture or FPI factory assembled components only, unless herein specified otherwise.

Any part(s) found to be defective during the warranty period as outlined above will be repaired or replaced at FPI's option through an accredited distributor, dealer or pre-approved and assigned agent provided that the defective part is returned to the distributor, dealer or agent for inspection if requested by FPI. Alternatively, FPI may at its own discretion fully discharge all of its obligations under the warranty by refunding the verified purchase price of the product to the original purchaser. The purchase price must be confirmed by the original Bill of Sale.

**The authorized selling dealer, or an alternative authorized FPI dealer if pre-approved by FPI, is responsible for all in-field diagnosis and service work related to all warranty claims. FPI is not responsible for results or costs of workmanship of unauthorized FPI dealers or agents in the negligence of their service work.**

At all times FPI reserves the right to inspect reported complaints on location in the field claimed to be defective prior to processing or authorizing of any claim. Failure to allow this upon request will void the warranty.

All warranty claims must be submitted by the dealer servicing the claim, including a copy of the Bill of Sale (proof of purchase by you). All claims must be complete and provide full details as requested by FPI to receive consideration for evaluation. Incomplete claims may be rejected.

Unit must be installed according to all manufacturers' instructions as per the manual.

All Local and National required codes must be met.

The installer is responsible to ensure the unit is operating as designed at the time of installation.

The original purchaser is responsible for annual maintenance of the unit, as outlined in the owner's manual. As outlined below, the warranty may be voided due to problems caused by lack of maintenance.

Repair/replacement parts purchased by the consumer from FPI after the original coverage has expired on the unit will carry a 90 day warranty, valid with a receipt only. Any item shown to be defective will be repaired or replaced at our discretion. No labor coverage is included with these parts

## **Exclusions:**

This Limited Lifetime Warranty does not extend to paint, rust or corrosion of any kind due to a lack of maintenance or improper venting, combustion air provision, corrosive chemicals (i.e. chlorine, salt, air, etc.), door or glass gasketing.

Malfunction, damage or performance based issues as a result of environmental conditions, location, chemical damages, downdrafts, installation error, installation by an unqualified installer, incorrect chimney components (including but not limited to cap size or type), operator error, abuse, misuse, use of improper fuels, lack of regular maintenance and upkeep, acts of God, weather related problems from hurricanes, tornados, earthquakes, floods, lightning strikes/bolts or acts of terrorism or war, which result in malfunction of the appliance are not covered under the terms of this Limited Lifetime Warranty.

FPI has no obligation to enhance or modify any unit once manufactured (i.e. as products evolve, field modifications or upgrades will not be performed on existing appliances).

This warranty does not cover dealer travel costs for diagnostic or service work. All labor rates paid to authorized dealers are subsidized, pre-determined rates. Dealers may charge homeowner for travel and additional time beyond their subsidy.

Any unit showing signs of neglect or misuse will not be covered under the terms of this warranty policy and may void this warranty. This includes units with rusted or corroded fireboxes which have not been reported as rusted or corroded within three (3) months of installation/purchase.

Units which show evidence of being operated while damaged, or with problems known to the purchaser and causing further damages will void this warranty.

Units where the serial no. has been altered, deleted, removed or made illegible will void this warranty.

Minor movement, expansion and contraction of the steel is normal and is not covered under the terms of this warranty.

FPI is not liable for the removal or replacement of facings or finishing in order to repair or replace any appliance in the field.

Freight damages for products or parts are not covered under the terms of the warranty.

Products made or provided by other manufacturers and used in conjunction with the FPI appliance without prior authorization from FPI may void this warranty.

# warranty

## **Limitations of Liability:**

The original purchaser's exclusive remedy under this warranty, and FPI's sole obligation under this warranty, express or implied, in contract or in tort, shall be limited to replacement, repair, or refund, as outlined above. IN NO EVENT WILL FPI BE LIABLE UNDER THIS WARRANTY FOR ANY INCIDENTAL OR CONSEQUENTIAL COMMERCIAL DAMAGES OR DAMAGES TO PROPERTY. TO THE EXTENT PERMITTED BY APPLICABLE LAW, FPI MAKES NO EXPRESS WARRANTIES OTHER THAN THE WARRANTY SPECIFIED HEREIN. THE DURATION OF ANY IMPLIED WARRANTY IS LIMITED TO DURATION OF THE EXPRESSED WARRANTY SPECIFIED ABOVE. IF IMPLIED WARRANTIES CANNOT BE DISCLAIMED, THEN SUCH WARRANTIES ARE LIMITED IN DURATION TO THE DURATION OF THIS WARRANTY.

Some U.S. states do not allow limitations on how long an implied warranty lasts, or allow exclusion or limitation of incidental or consequential damages, so the above limitations or exclusions may not apply to you.

Customers located outside the U.S. should consult their local, provincial or national legal codes for additional terms which may be applicable to this warranty.

## **How to Obtain Warranty Service:**

Customers should contact the authorized selling dealer to obtain warranty service. In the event the authorized selling dealer is unable to provide warranty service, please contact FPI by mail at the address listed below. Please include a brief description of the problem and your address, email and telephone contact information. A representative will contact you to make arrangements for an inspection and/or warranty service.

### Canadian Warrantor:

**FPI Fireplace Products International Ltd.**  
6988 Venture St.  
Delta, British Columbia  
Canada, V4G 1H4

### U.S. Warrantor:

**Fireplace Products U.S., Inc.**  
PO Box 2189 PMB 125  
Blaine, WA  
United States, 98231

Or contact the Regency Customer Care Centre at 1-800-442-7432 (phone) / 604-946-4349 (fax)

## **Product Registration and Customer Support:**

Thank you for choosing a Regency Fireplace. Regency strives to be a world leader in the design, manufacture, and marketing of hearth products. To provide the best support for your product, we request that you complete a product registration form at <http://www.regency-fire.com/Customer-Care/Warranty-Registration.aspx> within ninety (90) days of purchase.



### Product Registration and Customer Support:

Thank you for choosing a Regency Fireplace. Regency strives to be a world leader in the design, manufacture, and marketing of hearth products. To provide the best support for your product, we request that you complete a product registration form found on our Web Site under Customer Care within ninety (90) days of purchase.

For purchases made in **CANADA or the UNITED STATES:**

<http://www.regency-fire.com/Customer-Care/Warranty-Registration.aspx>

For purchases made in **AUSTRALIA:**

<http://www.regency-fire.com.au/Customer-Care/Warranty-Registration.aspx>

You may also complete the warranty registration form below to register your Regency Fireplace Product and mail and/or fax it back to us, and we will register the warranty for you. It is important you provide us with all the information below in order for us to serve you better.

### Warranty Registration Form (or Register online immediately at the above Web Site):

<b>Warranty Details</b>	
Serial Number (required):	
Purchase Date (required) (mm/dd/yyyy):	
<b>Product Details</b>	
Product Model (required):	
<b>Dealer Details</b>	
Dealer Name (required):	
Dealer Address:	
Dealer Phone #:	
Installer:	
Date Installed (mm/dd/yyyy):	
<b>Your Contact Details (required)</b>	
Name:	
Address:	
Phone:	
Email:	

For purchases made in **CANADA:**

**FPI Fireplace Products  
International Ltd.**  
6988 Venture St.  
Delta, British Columbia  
Canada, V4G 1H4

Phone: 604-946-5155  
Fax: 1-866-393-2806

For purchases made in the **UNITED STATES:**

**Fireplace Products U.S., Inc.**  
PO Box 2189 PMB 125  
Blaine, WA  
United States, 98231

Phone: 604-946-5155  
Fax: 1-866-393-2806

For purchases made in **AUSTRALIA:**

**Fireplace Products Australia Pty  
Ltd**  
1- 3 Conquest Way  
Hallam, VIC  
Australia, 3803

Phone: +61 3 9799 7277  
Fax: +61 3 9799 7822

For fireplace care and tips and answers to most common questions please visit our Customer Care section on our Web Site. Please feel free to contact your selling dealer if you have any questions about your Regency product.





*Installer: Please complete the following information*

**Dealer Name & Address:** \_\_\_\_\_

\_\_\_\_\_

**Installer:** \_\_\_\_\_

**Phone #:** \_\_\_\_\_

**Date Installed:** \_\_\_\_\_

**Serial No.:** \_\_\_\_\_