

# NAPOLEON



GAS BURNING STOVES

[napoleonfireplaces.com](http://napoleonfireplaces.com)



# Functional luxury and innovative Napoleon design

## Stoves

|  |         |
|--|---------|
| Arlington™ - GDS20.....                      | 4 - 5   |
| Bayfield™ - GDS25.....                       | 6 - 7   |
| Castlemore™ - GDS26.....                     | 8 - 9   |
| Haliburton™ - GDS28.....                     | 10 - 11 |
| Havelock™ - GDS50.....                       | 12 - 13 |
| Knightsbridge™ - GDS60.....                  | 14 - 15 |
|  |         |
| Napoleon's Outstanding Features.....         | 16      |
| Detailed Specifications & Line Drawings..... | 17 - 19 |



The Haliburton™ shown with painted metallic black door, accent bar and trivet, see page 10 for more information



## Why Napoleon?

**Making your life easier...** Napoleon fireplaces are designed to provide you absolute comfort and control at the touch of your fingertips. It's that easy. When you install a Napoleon direct vent gas fireplace, you can rest assured that you will enjoy a lifetime of instant ambiance with reliable performance year after year.

**An investment you can count on...** Your new Napoleon fireplace adds value to your home while at the same time giving you uncompromising comfort. Aside from kitchen and bathroom renovations, fireplaces add the highest return on your home investment.

**Create your personal design statement...** Surround yourself with a home environment that makes you feel good, relaxed and proud to reflect your decorating style. Hundreds of designer options are available to create the exact statement you have been looking for.

**Highest efficiencies, maximum comfort...** Years of research, design and testing have enhanced optimum performance allowing many Napoleon products to achieve some of the highest heater rated efficiencies on the market. Napoleon continuously surpasses industry standards not only in appearance but in efficiency and performance.

**Beautiful fires, best flame in the industry...** With advanced burner technology and innovative design, Napoleon's flame and exclusive PHAZER log sets are so realistic it's hard to tell the difference from a real wood burning fire.

**No power? No problem!...** We all feel vulnerable when the power goes out. Now you can weather out the storm in the comfort of your own home! A Napoleon gas fireplace requires no electricity to light or operate, a built-in millivolt system or electronic ignition with battery back-up ensures reliability even during power failures.

**Authorized dealer support network...** With over 3,000 reputable authorized dealers across North America, Napoleon works hard to provide professional, consistent training and technical education to support our dedicated team of professionals.

**Outstanding reliable warranty...** Each and every Napoleon fireplace is designed and manufactured to strict quality testing standards and backed by the President's Limited Lifetime Warranty, guaranteed to give you the solid performance you deserve. Napoleon is registered under the world recognized ISO 9001-2008 quality system.



We are proud to be recognized as one of Canada's Best Managed Companies and are dedicated to providing quality, home comfort products for over 38 years and counting.

# Arlington™

Compact in Size - Huge in Style

The Arlington™ cast iron gas stove, with its slender, space saving design and 45° venting, is perfect for smaller rooms. The Arlington™ is available in painted black or a porcelain enamel Majolica brown finishes and comes standard with a MIRRO-FLAME™ Porcelain Reflective Radiant Panel. Even though small in size, it holds a large PHAZERAMIC™ burner system, PHAZER® log set and brightly glowing ember bed that can be viewed through the European styled ceramic glass viewing area.

GDS20

Up to 20,000 BTU's

50% flame/heat adjustment

19 ¼" w x 25 ¾" h

Natural gas or propane

For more detailed specifications on this unit, see page 17



Painted Black Finish



Porcelain Majolica Brown Finish

## Options & Accessories



Stove Top Inset  
Lorena Slate  
(natural stone - color/  
pattern may vary)



Stove Top Inset  
Giallo Golden Brown  
(natural stone - color/  
pattern may vary)



Easy access hidden control panel



45° venting for versatile  
horizontal or vertical installations



F45 & F60 Remote Controls  
On/off or Modulating

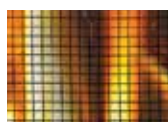




Arlington™ shown in painted black finish with a lorena slate stove top inset



MIRRO-FLAME  
Porcelain Reflective  
Radiant Panel



Complete with  
Safety Barrier



# Bayfield™

## Your Choice of Three Designer Colours

The Bayfield™ cast iron stove comes in three designer colours that will look great in any home or cottage. The built-in secondary heat exchanger provides excellent heating efficiency and heat retention. Other features include a cost saving electronic ignition with battery back-up, 50% flame/heat adjustment, ceramic glass and an exclusive NIGHT LIGHT™ which creates a warm glow even when the stove is not on.

GDS25

Up to 24,500 BTU's

50% flame/heat adjustment

23 ½" w x 25 ⅝" h

Natural gas or propane

For more detailed specifications on this unit, see page 17



Painted Black Finish



Porcelain Majolica Brown Finish



Winter Frost Finish

## Options & Accessories



Built-in NIGHT LIGHT™



Stove Top Inset  
Lorena Slate  
(natural stone - color/  
pattern may vary)



Stove Top Inset  
Ubatuba Green  
(natural stone - color/  
pattern may vary)



Stove Top Inset  
Giallo Golden Brown  
(natural stone - color/  
pattern may vary)



F45 & F60 Remote Controls  
On/off or Modulating





Bayfield<sup>®</sup> shown in porcelain enamel Majolica brown with MIRRO-FLAME<sup>®</sup> Porcelain Reflective Radiant Panels and a Giallo Golden Brown stove top inset



MIRRO-FLAME<sup>®</sup>  
Porcelain Reflective  
Radiant Panels



Complete with  
Safety Barrier



# Castlemore™

## More Than Just a Reliable Heating Source

The Castlemore™ cast iron gas stove adds more than just a reliable heating source to your home. With its sleek curves and tall, slender stature, it becomes the ultimate focal point for any room. The Castlemore™ comes complete with Napoleon's exclusive NIGHT LIGHT™, PHAZERAMIC™ burner system, PHAZER® log set and glowing ember bed, creating a beautiful display of YELLOW DANCING FLAMES®. The classic European design will never go out of style and the heating power will provide a lifetime of enjoyable comfort.

GDS26

Up to 25,000 BTU's

50% flame/heat adjustment

23 5/8" w x 35 1/2" h

Natural gas or propane

For more detailed specifications on this unit, see page 18

### Options & Accessories



Side Panel  
Ubatuba Green  
(natural stone - color/  
pattern may vary)



Easily converts from  
rear vent to top vent



F45 & F60 Remote Controls  
On/off or Modulating



Metallic Black Finish



Winter Frost Finish



Summer Moss Finish



Majolica Brown Finish







Castlemore<sup>®</sup> shown in Winter Frost with MIRRO-FLAME<sup>™</sup> Porcelain Reflective Radiant Panels



Decorative Sandstone  
Brick/Stone Panel



MIRRO-FLAME<sup>™</sup>  
Porcelain Reflective  
Radiant Panels



Complete with  
Safety Barrier



# Haliburton™

## Dynamic Design, Environmentally Friendly Technology

Good things do come in small packages! If you have limited space but still desire the beauty and convenience of a gas stove... Napoleon's Haliburton™ is the answer! The Haliburton™ offers many benefits – a built-in blower, easily accessible control panel, solid body construction, a triple flame burner and a PHAZER® log set with glowing embers creating a beautiful display of YELLOW DANCING FLAMES®. Offering a variable heat range, as high as 30,000 BTU's, this stove may be compact in stature, but not in power!

GDS28

Up to 30,000 BTU's

50% flame/heat adjustment

22 1/2" w x 26 3/4" h

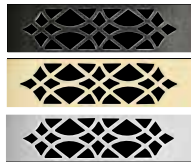
Natural gas or propane

For more detailed specifications on this unit, see page 18

### Options & Accessories



Andirons  
Painted Black Finish



Trivets  
Three Colour Options\*



B-Vent Adapter Kits  
See page 17 for details



F45 & F60 Remote Controls  
On/off or Modulating



Painted Metallic Black Door and Accent Bar



Satin Chrome Door and Accent Bar



Gold Door and Accent Bar





GDS28 shown with painted metallic black door and accent bar



Complete with  
Safety Barrier



# Havelock™

## Sophisticated Heating Technology

This sophisticated gas stove comes complete with a built-in blower, extra large heat exchanger, easily accessible control panel and an advanced high tech, triple burner effect with a "furnace" type 14,000 BTU burner behind the logs. Acting as a "Turbo Boost" for those colder days & nights, it's perfect for colder climates. All of the Havelock™ features combined with clean-burning, environmentally friendly technology, makes it the perfect choice to add long-lasting value to your home!

GDS50

Up to 44,000 BTU's

50% flame/heat adjustment

28 1/4" w x 30 3/4" h

Natural gas or propane

For more detailed specifications on this unit, see page 19

## Options & Accessories



Andirons  
Painted Black Finish



Trivet  
Painted Metallic Black Finish



B-Vent Adapter Kits  
See page 17 for details



F45 & F60 Remote Controls  
On/off or Modulating



Painted Metallic Black Door and Accent Bar



Satin Chrome Door and Accent Bar



Gold Door and Accent Bar





Havelock™ shown with painted metallic black door and accent bar



Complete with  
Safety Barrier



# Knightsbridge™

## Solid Performance and Impressive Heating Efficiencies

Napoleon's Knightsbridge™ has always been in popular demand for its solid performance and impressive heating efficiencies. The Knightsbridge™ comes standard with Napoleon's PHAZER® log set, glowing embers, anti-condensation switch (controls pilot usage for cold climate installations) and electronic ignition with battery back-up. Its fine detailing and elegant cast iron design is a perfect complement to any home.

GDS60

Up to 35,000 BTU's

50% flame/heat adjustment

27" w x 30 1/2" h

Natural gas or propane

For more detailed specifications on this unit, see page 19



Painted Metallic Black Finish

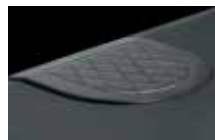


Porcelain Majolica Brown Finish

## Options & Accessories



Andirons  
Painted Black Finish



Cast Iron Trivet  
Painted Black Finish



B-Vent Adapter Kits  
See page 17 for more details

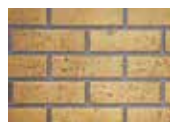


F45 & F60 Remote Controls  
On/off or Modulating





Knightsbridge™ shown in painted metallic black finish



Decorative Sandstone  
Brick/Stone Panel

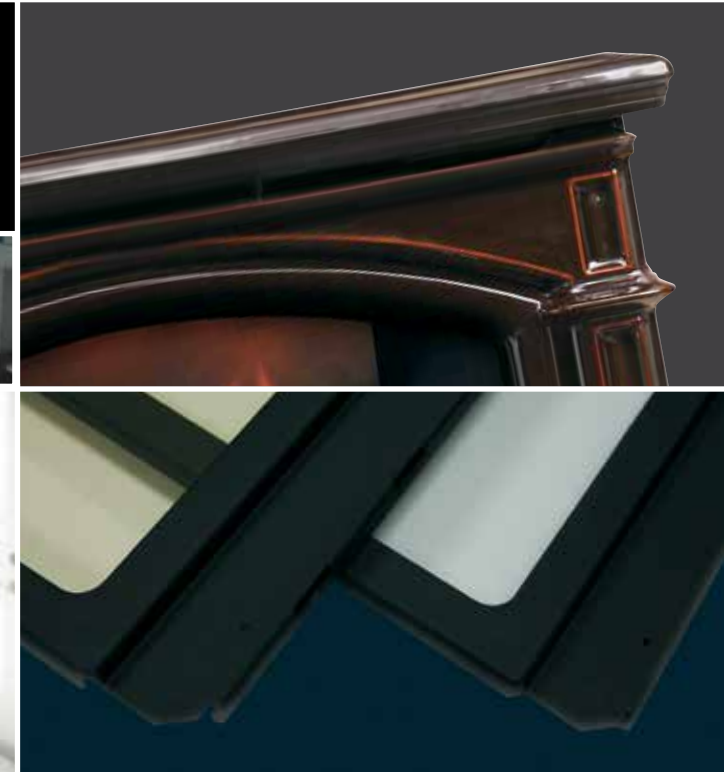


Complete with  
Safety Barrier



# Outstanding Features

of Napoleon's Advanced Technology



## Advanced Burner Technology

Napoleon's sophisticated burner system offers superior flame technology. Strategically placed burner ports create the most realistic flames in the industry.

## Finely Tuned Precision Valves

Surrounded with a protective cast aluminum jacket, the precision valves allow for ultimate reliability and 100% SAFE GUARD<sup>®</sup> gas control system.

## Minimum 30% savings on heating costs with Zone Heating

Zone Heating means you are heating the rooms that you use the most with an alternate heat source, like a Napoleon<sup>®</sup> gas stove. Zone Heating is the obvious solution for families concerned about rising fuel costs.

## Outstanding Craftsmanship

Napoleon's distinctive porcelain enamel is baked onto cast iron at 1800 °F to give you a deep, lustrous, scratch resistant and easy to clean surface. Majolica is a unique double porcelainizing process offering a rich, luxurious, long lasting finish.

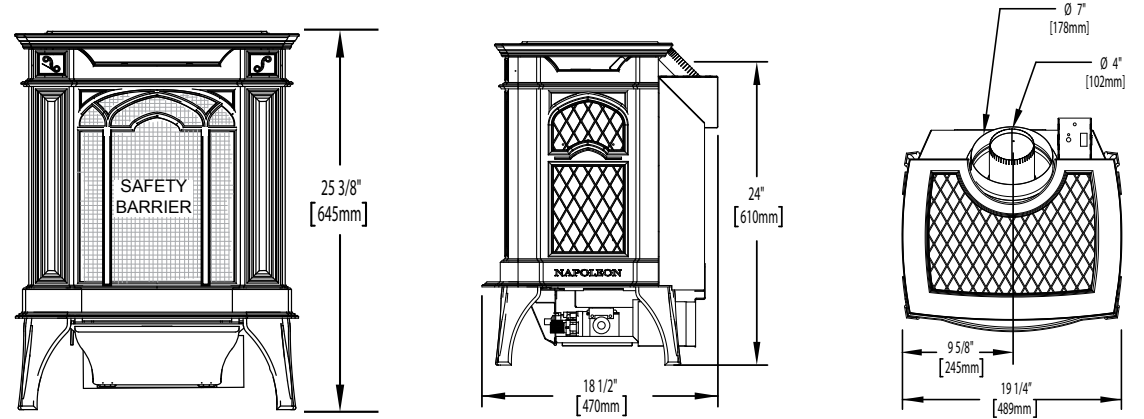
## High Heat Ceramic Glass

Unlike tempered glass, ceramic glass is made to withstand extreme high temperatures, allowing maximum radiant heat performance and safety.



## Arlington™

Shown on pages 4 & 5

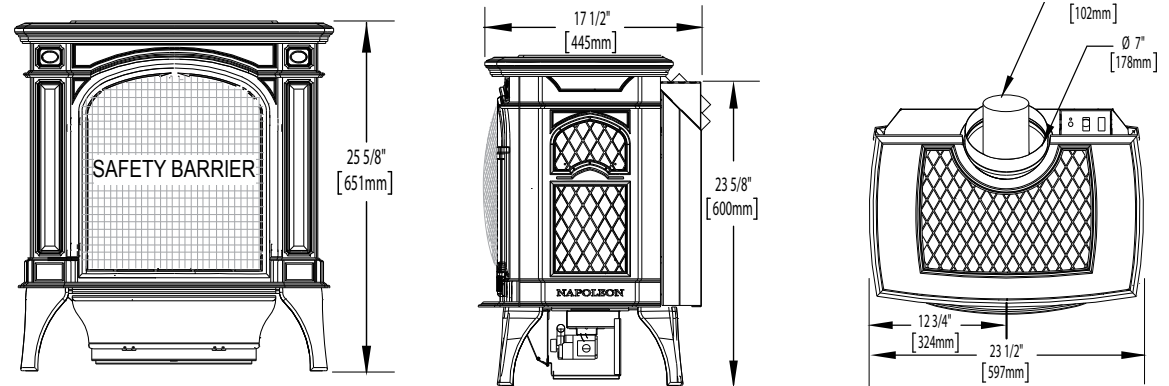


| Model | BTU's (Input) |         | Venting | Height  | Front Width | Depth   | Glass Type | Glass Size |        | Efficiencies |        |       | Blower Kit | Mobile Home Certified | Electronic Ignition | Minimum Clearances to Combustibles |      |              |
|-------|---------------|---------|---------|---------|-------------|---------|------------|------------|--------|--------------|--------|-------|------------|-----------------------|---------------------|------------------------------------|------|--------------|
|       | Natural Gas   | Propane |         |         |             |         |            | Actual     | Actual | Actual       | Height | Width |            |                       |                     | EnerGuide                          | AFUE | Steady State |
| GDS20 | 20,000        | 20,000  | 45°     | 25 3/8" | 19 1/4"     | 18 1/2" | Ceramic    | 13"        | 14"    | 60%          | -      | 78%   | Optional   | Yes                   | No                  | 2"                                 | 2"   | 4"           |

Certified under Canadian and American National Standards.

## Bayfield™

Shown on pages 6 & 7



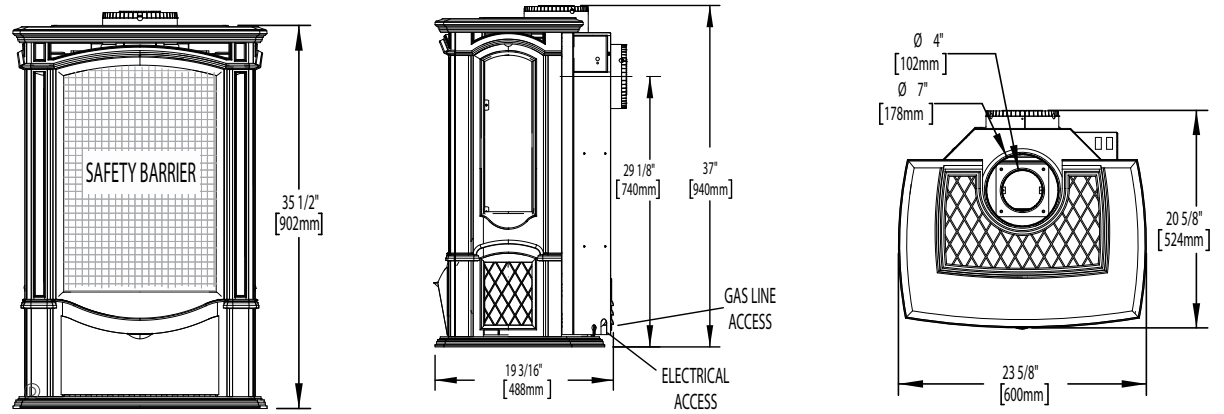
| Model | BTU's (Input) |         | Venting | Height  | Front Width | Depth   | Glass Type | Glass Size |        | Efficiencies |        |       | Blower Kit | Mobile Home Certified | Electronic Ignition | Minimum Clearances to Combustibles |      |              |
|-------|---------------|---------|---------|---------|-------------|---------|------------|------------|--------|--------------|--------|-------|------------|-----------------------|---------------------|------------------------------------|------|--------------|
|       | Natural Gas   | Propane |         |         |             |         |            | Actual     | Actual | Actual       | Height | Width |            |                       |                     | EnerGuide                          | AFUE | Steady State |
| GDS25 | 24,500        | 23,000  | 45°     | 25 5/8" | 23 1/2"     | 17 1/2" | Ceramic    | 15"        | 18"    | 64.1%        | 64%    | 80%   | Optional   | Yes                   | Yes                 | 2"                                 | 2"   | 4"           |

Certified under Canadian and American National Standards.

Figures may vary with individual conditions such as floor plan layout, insulation value/heat loss of the house and geographical location. Measurements to be used as a guide only. Consult your owner's manual for complete and up-to-date installation instructions and proper clearances to combustible materials.

## Castlemore™

Shown on pages 8 & 9

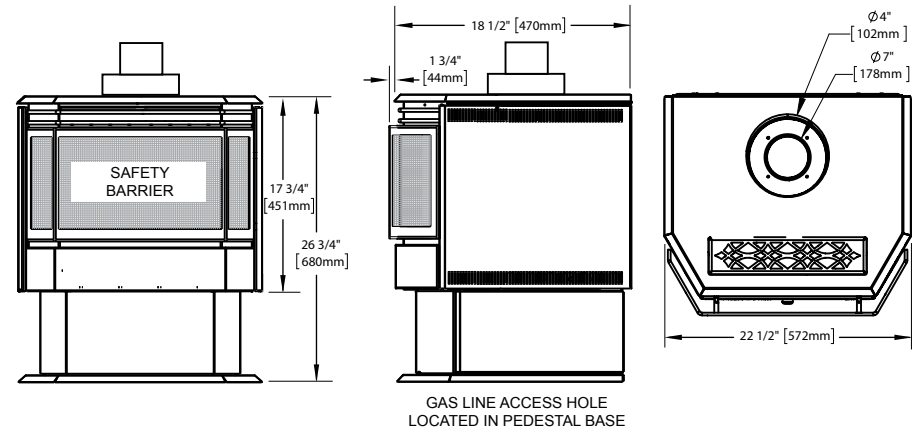


| Model | BTU's (Input) |         | Venting     | Height  | Front Width | Depth    | Glass Type | Glass Size |         | Efficiencies |      |              | Blower Kit | Mobile Home Certified | Electronic Ignition | Minimum Clearances to Combustibles |      |       |
|-------|---------------|---------|-------------|---------|-------------|----------|------------|------------|---------|--------------|------|--------------|------------|-----------------------|---------------------|------------------------------------|------|-------|
|       | Natural Gas   | Propane |             | Actual  | Actual      | Actual   |            | Height     | Width   | EnerGuide    | AFUE | Steady State |            |                       |                     | Corner                             | Rear | Sides |
| GDS26 | 25,000        | 25,000  | Top or Rear | 35 1/2" | 23 5/8"     | 19 3/16" | Ceramic    | 24"        | 16 5/8" | 61.3%        | -    | 82%          | Optional   | Yes                   | Yes                 | 2"                                 | 5"   | 2"    |

Certified under Canadian and American National Standards. This product has a design registration. Wolf Steel Ltd

## Haliburton™

Shown on pages 10 & 11



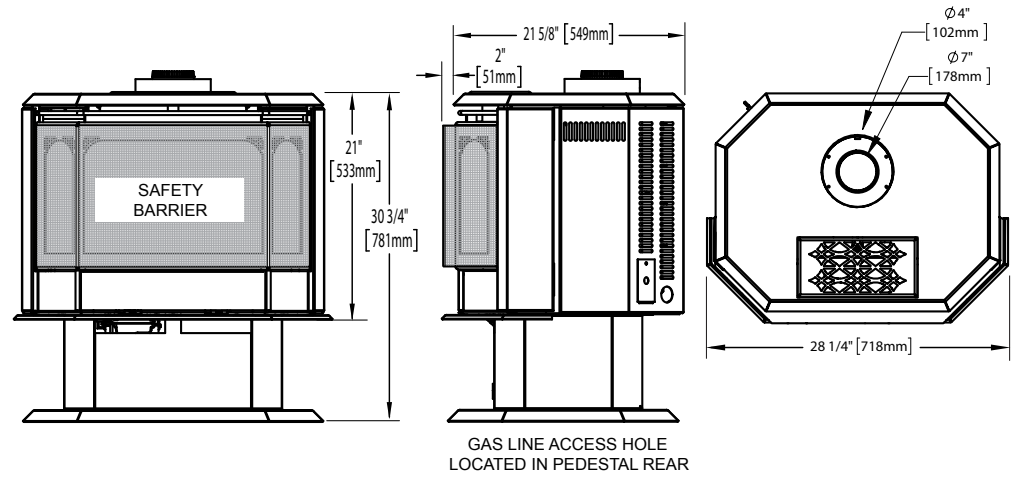
| Model | BTU's (Input) |         | Venting | Height  | Front Width | Depth   | Glass Type | Glass Size |       | Efficiencies |      |              | Blower   | Mobile Home Certified | Electronic Ignition | Minimum Clearances to Combustibles |      |       |
|-------|---------------|---------|---------|---------|-------------|---------|------------|------------|-------|--------------|------|--------------|----------|-----------------------|---------------------|------------------------------------|------|-------|
|       | Natural Gas   | Propane |         | Actual  | Actual      | Actual  |            | Height     | Width | EnerGuide    | AFUE | Steady State |          |                       |                     | Corner                             | Rear | Sides |
| GDS28 | 30,000        | 26,000  | Top     | 26 3/4" | 22 1/2"     | 18 1/2" | Ceramic    | 12 3/8"    | 21"   | 57.4%        | 65%  | 85%          | Standard | Yes                   | No                  | 1"                                 | 2"   | 7"    |

Certified under Canadian and American National Standards.

Figures may vary with individual conditions such as floor plan layout, insulation value/heat loss of the house and geographical location. Measurements to be used as a guide only. Consult your owner's manual for complete and up-to-date installation instructions and proper clearances to combustible materials.

## Havelock™

Shown on pages 12 & 13

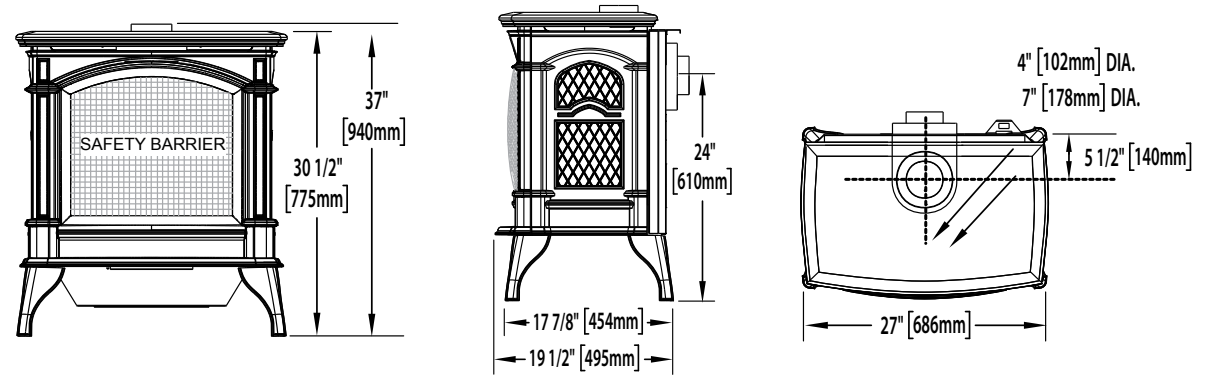


| Model | BTU's (Input) |         | Venting | Height  | Front Width | Depth   | Glass Type | Glass Size |         | Efficiencies |      |              | Blower   | Mobile Home Certified | Electronic Ignition | Minimum Clearances to Combustibles |      |       |
|-------|---------------|---------|---------|---------|-------------|---------|------------|------------|---------|--------------|------|--------------|----------|-----------------------|---------------------|------------------------------------|------|-------|
|       | Natural Gas   | Propane |         | Actual  | Actual      | Actual  |            | Height     | Width   | EnerGuide    | AFUE | Steady State |          |                       |                     | Corner                             | Rear | Sides |
| GDS50 | 44,000        | 40,000  | Top     | 30 3/4" | 28 1/4"     | 21 5/8" | Ceramic    | 13 7/8"    | 25 3/4" | 70%          | 67%  | 84%          | Standard | Yes                   | No                  | 1"                                 | 2"   | 7"    |

Certified under Canadian and American National Standards.

## Knightsbridge™

Shown on pages 14 & 15



| Model | BTU's (Input) |         | Venting     | Height  | Front Width | Depth   | Glass Type | Glass Size |       | Efficiencies |      |              | Blower Kit | Mobile Home Certified | Electronic Ignition | Minimum Clearances to Combustibles |      |       |
|-------|---------------|---------|-------------|---------|-------------|---------|------------|------------|-------|--------------|------|--------------|------------|-----------------------|---------------------|------------------------------------|------|-------|
|       | Natural Gas   | Propane |             | Actual  | Actual      | Actual  |            | Height     | Width | EnerGuide    | AFUE | Steady State |            |                       |                     | Corner                             | Rear | Sides |
| GDS60 | 35,000        | 31,500  | Top or Rear | 30 1/2" | 27"         | 19 1/2" | Ceramic    | 18 3/4"    | 21"   | 63.1%        | 64%  | 78%          | Optional   | Yes                   | Yes                 | 2"                                 | 6"   | 6"    |

Certified under Canadian and American National Standards.

Figures may vary with individual conditions such as floor plan layout, insulation value/heat loss of the house and geographical location. Measurements to be used as a guide only. Consult your owner's manual for complete and up-to-date installation instructions and proper clearances to combustible materials.

Other Napoleon Products

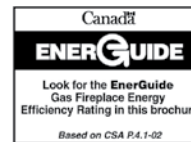


Fireplace Inserts • Charcoal Grills • Gas Fireplaces • Mantels • Wood Stoves  
 Hybrid Furnaces • Electric Fireplaces • Heating & Cooling • Gas Grills



24 Napoleon Road, Barrie, Ontario, Canada L4M 0G8  
 103 Miller Drive, Crittenden, Kentucky, USA 41030  
 7200 Trans Canada Highway, Montreal, Quebec, Canada H4T 1A3

Tel: 705-721-1212 Fax: 705-722-6031  
[napoleonfireplaces.com](http://napoleonfireplaces.com)



Authorized Dealer

Consult your owner's manual for complete installation instructions and proper clearances to combustible materials. Check all local and national building codes and gas regulations. All specifications are subject to change without prior notice due to on-going product improvements. Products may not be exactly as shown. Flame height and activity is influenced by varying vent configurations and may not appear as shown. Napoleon® is a registered trademark of Wolf Steel Ltd. © Wolf Steel Ltd. EnerGuide - A Canadian efficiency standard based on frequent, short start-up and cool-down cycles. All appliances sold in Canada are subject to this EnerGuide rating system. AFUE - A US efficiency standard (Department of Energy) based on extended on/off cycles, more typical of fireplace usage. Steady State - Reflects the highest possible overall heating efficiency. Product images may vary due to safety barrier regulations coming into effect January 2015.