



 **REGENCY**[®]
FIREPLACE PRODUCTS

City Series
MODERN FIREPLACES WITH
NO LIMITATIONS

City Series

MODERN FIREPLACES WITH NO LIMITATIONS

The Regency City Series of modern gas fireplaces offer unmatched design flexibility, quality, and contemporary styling. These stunning fireplaces create a unique focal point in your home and provide the calming ambiance of a large fire with just the push of a button.

- TRUE FRAMELESS FIRE & SEAMLESS GLASS BARRIER
- PLACE A TV OR ARTWORK DIRECTLY ABOVE THE FIREPLACE WITH NO LIMITATIONS
- USE ANY MATERIAL RIGHT TO THE EDGE OF THE FIRE, EVEN WOOD OR WALLPAPER
- INDUSTRY'S BEST, MOST COMPREHENSIVE, LIMITED LIFETIME WARRANTY





Seattle See-Through 60 shown with black reflective crystals, crushed coal black glass and black interior panels.

Seattle See-Through



CST60E

Enjoy the beauty of the City Series in two rooms with the all-new Seattle see-through 60. Our first see-through City Series model, the Seattle 60 brings all the beauty and flexibility of City Series to two spaces allowing for an open and transitional feel.

VIEWING AREA	
WIDTH	HEIGHT
60-5/16"	18"

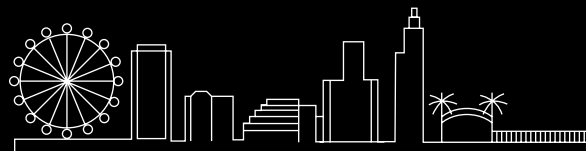


Seattle See-Through 60 shown with black reflective crystals, volcanic stones and black enamel inner reflective panels.



Santa Monica Pier 60 shown with black reflective crystals, crushed black coal glass, driftwood log set and black steel interior panels.

Santa Monica Pier



CP60E

Enjoy the beauty of the City Series from three sides with the all-new Santa Monica Pier 60. Open up living spaces and create a warm and inviting atmosphere with the beauty of the new Santa Monica Pier 60.

VIEWING AREA		
WIDTH	HEIGHT	DEPTH
64-1/2"	18-1/2"	19-1/2"

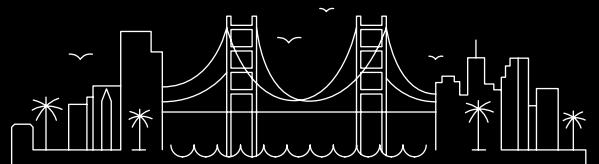


Santa Monica Pier 60 shown with black reflective crystals, volcanic stones and black enamel inner reflective panels.



San Francisco Bay 40 shown with black reflective crystals, volcanic stones and black steel interior panels. Install by Glen Abbey Contractors Ltd. (ON, Canada)

San Francisco Bay



CB40E

Create the look you desire with flexible finishing options, linear design, and stunning log/crystal and flame picture. The San Francisco Bay sparks conversations and welcomes visitors to your home. Enjoy the comfort and ambiance of the unmatched City Series San Francisco Bay 40.

VIEWING AREA		
WIDTH	HEIGHT	DEPTH
47"	15-1/16"	14-11/16"



San Francisco Bay 40 shown with black reflective crystals, driftwood log set and black glass inner reflective panels.



San Francisco Bay 60 shown with black reflective crystals, crushed black coal glass, driftwood log set and black enamel inner reflective panels.

San Francisco Bay



CB60E

Create an elegant, stunning focal point with the San Francisco Bay 60. City Series 60 Bay is the perfect fit to add the right amount of romance and drama for a medium to large room and offers a modern, clean design with an impressive 3-sided viewing area that will take your breath away day-after-day.

VIEWING AREA		
WIDTH	HEIGHT	DEPTH
68-1/2"	18"	14-1/2"

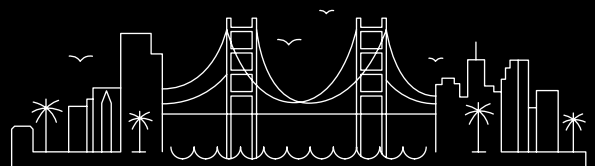


San Francisco Bay 60 shown with black reflective crystals, crushed black coal glass, and black enamel inner reflective panels.



San Francisco Bay 72 shown with black reflective crystals, volcanic stones and black glass inner reflective panels.

San Francisco Bay



CB72EPV

The City Series San Francisco Bay 72 is the largest of our City Series models. The 72 Bay is guaranteed to impress, get your guests talking, and create a stunning one of a kind fireplace. Flexible installation and finishing options make this unit a designer's and homeowner's dream.

VIEWING AREA		
WIDTH	HEIGHT	DEPTH
82-13/16"	15"	14-11/16"



San Francisco Bay 72 shown with black reflective crystals, crushed black coal glass, split oak log set and black enamel inner reflective panels.



Chicago Left Corner 40 shown with black reflective crystals, birch log set and black enamel inner reflective panels.

Chicago Corner

CC40LE • CC40RE



Available as either a Left or Right corner unit with flexible venting options, the Chicago Corner 40 is perfect as a standalone design feature, or as a stunning accent in any room. Flexible installation, unlimited finishing options, and limitless potential is available with the Chicago Corner 40.

VIEWING AREA		
WIDTH	HEIGHT	DEPTH
42-15/16"	15-1/16"	14-11/16"



Chicago Right Corner 40 shown with starfire crystals, crushed iceburg glass and reflective black inner reflective panels.



San Francisco Bay 60 shown with corner installation kit, black reflective crystals, black crushed coal glass and black enamel inner reflective panels.

Chicago Corner



CB60E & CB72EPV with Corner Installation Kit

Bring the large luxury of the San Francisco Bay 60 and 72 to your home with our unique corner installation. With a Corner installation kit, the 60 or 72 Bay can be transformed into a Chicago Corner, creating a stunning large-faced corner unit, unlike anything you have ever seen before.



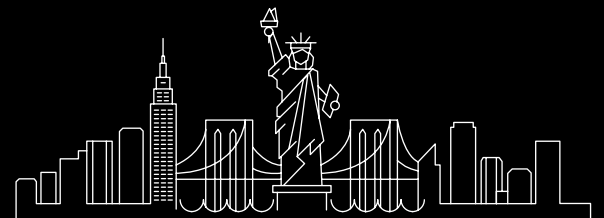
San Francisco Bay 72 shown with corner installation kit, black reflective crystals, volcanic stones and black glass inner reflective panels.



New York View 40 shown with black reflective crystals, volcanic stones and black inner reflective panels.

New York View

CV40E



With its simple design, the New York View 40 brings the flexibility and beauty of the City Series to any home. A frameless design and stunning flame picture are sure to continue grabbing your attention for years to come. Add extended view panels to create the appearance of a longer fireplace to balance large artwork or TVs.

VIEWING AREA

WIDTH	HEIGHT
38-13/16"	15-1/16"



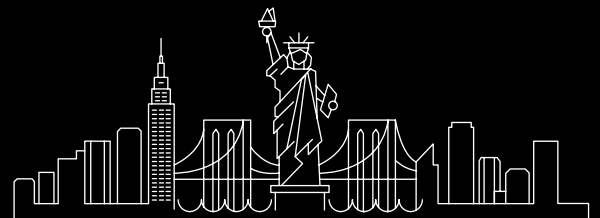
New York View 40 shown with black reflective crystals, birch log set and black steel interior panels & extended side panels.



New York View 60 shown with black reflective crystals, birch log set and black steel interior panels.

New York View

CV60E



The New York 60 single sided gas fireplaces provides the warmth, beauty, and comfort of a fireplace in a size well suited to virtually any room - large or small. With a refined flame picture and increased glass viewing area, the City Series 60 View is sure to amaze, offering the ultimate in design flexibility and fire views.

VIEWING AREA

WIDTH	HEIGHT
60-7/16"	18"



New York View 60 shown with black reflective crystals, split oak log set and black glass inner reflective panels.



New York View 72 shown with black reflective crystals, volcanic stones and black glass inner reflective panels.

New York View

CV72E



The New York 72 offers an impressively large viewing area. The sheer size of this fireplace is sure to spark conversation. With a stunning flame picture, your choice of fireplace media and the ability to finish with any material, you can create a beautiful focal point in any room.

VIEWING AREA

WIDTH	HEIGHT
-------	--------

72"	15"
-----	-----



New York View 72 shown with black reflective crystals, black crushed coal glass, birch log set and black steel interior panels.



New York View 40 shown with black reflective crystals, black crushed coal glass, black enamel inner reflective panels and extended view panels.

Extended View Panels

Flush to the wall and reflective, black glass extended view panels focus the eye, create visual balance, and amplify flames for maximum impact. A literal expansion of City Series' frameless firebox, extended view panels integrate seamlessly for a striking, modern, linear look.

- Create the illusion of a larger fireplace
- Establish balance on a multi-function fireplace feature wall
- Black glass reflective finish amplifies the flame experience
- Can be used on New York 40, 60 & 72 models to extend the length by 24"

1



In this photo, the fireplace is overshadowed by a large television, creating a top heavy fireplace feature wall

2



In this photo, the fireplace achieves visual prominence and balance with the addition of black glass extended view panels

Unlimited Finishes

NO LIMITS. NO RESTRICTIONS.

Designed to maintain a cool wall to accommodate custom finishes right to the edge of your fireplace!

ADVANTAGES

- Place a TV above the fireplace without it getting damaged
- Hang artwork without fear of warping
- Paint will not discolor, drywall will not crack
- No internal fans required
- Use any finish right to the edge of the fire, even wood or wallpaper



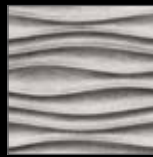
Wood



Wallpaper



Fabric



Textured Panel



Metal



Marble



Tile



Embossed
Panel



Glass



Faux Stone

FRAMELESS FIRE

- An uninterrupted view of the flames
- Seamlessly integrates into any interior
- Invisible glass safety barrier (patented)
- No frames, mesh or silicone
- Integrated liner panel options and black glass accessories
- Available in single-sided, two-sided and three-sided designs



New York View 40 shown with black reflective crystals, black crushed coal glass, driftwood log set and black enamel inner reflective panels.

Controllable Warmth

FLEXIBLE VENTING OPTIONS

Regency's patented cool wall system releases warmth at ceiling level. This system reduces excessive radiant heat in front of the fireplace so you can enjoy your fireplace more often.

- Design your own chase vent solution to suit your home
- Use optional front or side (left and right) chase vent grills
- Release warmth into the room discreetly



Front



Side(s)



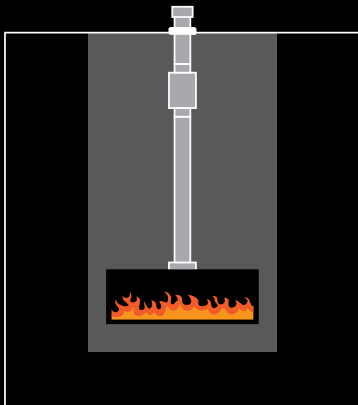
Top

Power Vent Systems

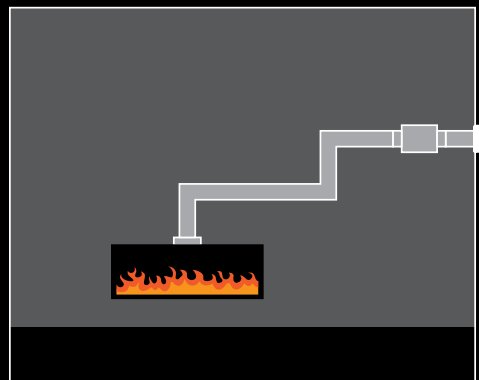
Regency's power vent systems allow for longer vertical and horizontal vent runs making it possible for designers and architects to build with freedom and flexibility.

INLINE POWER VENT SYSTEM

- Allows for both vertical and horizontal termination (Horizontal terminations can use Regency's AstroCap)
- Vent runs up to 72 ft.
- Use up to six 90° elbows or twelve 45° elbows
- Use flex vent or rigid pipe
- Access panel required for servicing



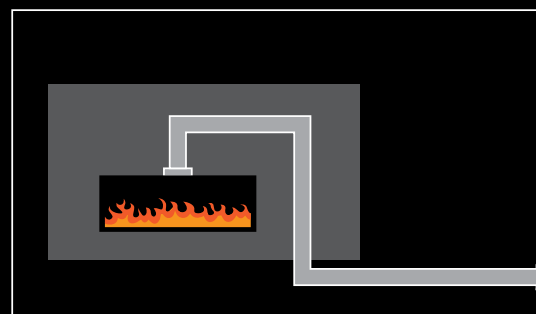
Inline Power Vent system shown vertical vent run



Inline Power Vent system shown horizontal vent run

FLUSH HORIZONTAL TERMINATION POWER VENT

- Horizontal power vent wall termination cap can be installed flush or adjusted to the depth of your wall
- No access panel require for servicing, unless the cap is not accessible from the exterior of home
- Can be painted to match the exterior of outside wall
- Vent runs up to 72 ft
- Allows for 6 ft (72 inches) of negative vent run below first elbow
- Use up to six 90° elbows or twelve 45° elbows
- Use flex vent or rigid pipe



End of line flush horizontal Power Vent system shown in a negative vent run



Flush Power Vent wall termination cap



Can be painted to match any exterior

Create Your Own Fireplace



COMPACT CHASE FRAMING KIT



EXTENDED CHASE FRAMING KIT



CORNER CHASE STARTER KIT

OPTIONAL FRAMING KITS

40" UNITS	WIDTH	DEPTH	HEIGHT (ADJUSTABLE)
Compact chase	48-7/16"	18-11/16"	80" - 10'
Extended chase	60-1/2"	18-11/16"	80" - 10'
Extended hearth	60-1/2"	24-7/16"	8-1/2" - 11-1/2"
Corner chase starter kit	49-3/4"	18"	62-7/8" Bottom of unit to top of framing kit



60" UNITS	WIDTH	DEPTH	HEIGHT
Compact chase starter kit	71-5/16"	20-3/8"	78-1/2" Bottom of unit to top of framing kit



Regency steel framing kit

72" UNITS	WIDTH	DEPTH	HEIGHT
Compact chase starter kit	82-7/8"	20-3/8"	83-1/2" Bottom of unit to top of framing kit

FIREBED OPTIONS



Glass Crystals &
Split Oak Log Set



Glass Crystals &
Birch Log Set



Glass Crystals &
Driftwood Log Set



Glass Crystals &
Volcanic Stones



Starfire Crystals &
Iceberg Crushed Glass

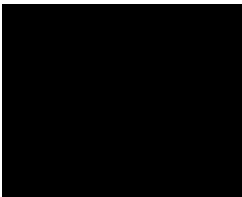


Reflective Black Crystals &
Black Coal Crushed Glass

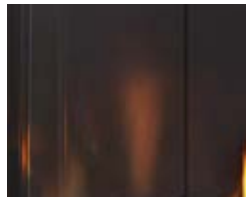


Andiron Black
Lava Embers

INTERIOR OPTIONS



Black Steel
Interior Panels



Black Enamel Inner
Reflective Panels



Black Glass Inner
Reflective Panels

REMOTE



Proflame II
Handheld



Proflame II
Wall Mount
(CP60E and CST60E)

COOL WALL SYSTEM

Our patented system draws the cool air around the floating glass safety barrier. Cooler air is then split between the heat exchanger and the inside wall surface. The air travelling through the heat exchanger is heated by the fireplace and then directed out the back of the fireplace. The combined warmed air is then vented back into the room.



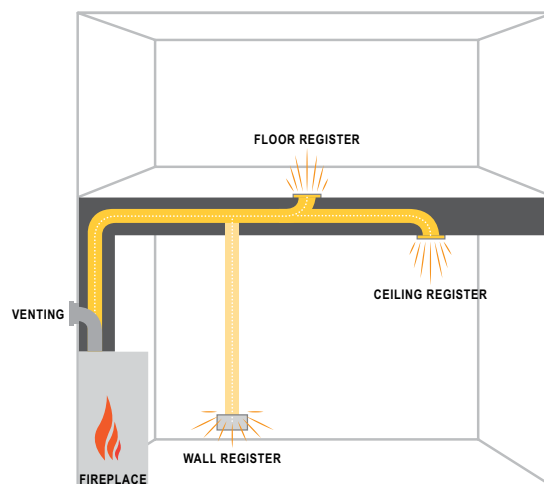
CORNER INSTALLATION KIT

The corner installation kit transforms a San Francisco Bay 60 or 72 into a Chicago Corner creating a stunning large-faced corner unit unlike anything you have ever seen before.



HEAT DISTRIBUTION KIT

Increase the effectiveness of your fireplace by dispersing warm air from the fireplace to remote locations in the same room or other rooms in your home by using the Heat Wave™ power duct system.



ACCESSORIES

ACCESSORIES - AT A GLANCE		CST60E	CP60E	CB40E	CB60E	CB72EPV	CC40RE • CC40LE	CV40E	CV60E	CV72E	
Clean face design		✓	✓	✓	✓	✓	✓	✓	✓	✓	
Interior options	Firebed	Crystals in various colors	★	★	★	★	★	★	★	★	
		Firebeads in various colors	★	★	★	★	★	★	★	★	
		Sea wool	✓	✓	✓	✓	✓	✓	✓	✓	
	For firebox floor	Crushed glass in various colors	★	★	★	★	★	★	★	★	★
		Ceramic spa stones	★	★	★	★	★	★	★	★	★
		Volcanic stones	★	★	★	★	★	★	★	★	★
		Natural river pebbles	★	★	★	★	★	★	★	★	★
	Log set	Lava Embers	★	★	★	★	★	★	★	★	★
		Driftwood log set	★	★	★	★	★	★	★	★	★
		Split oak log set	★	★	★	★	★	★	★	★	★
	Inner panels	Birch log set	★	★	★	★	★	★	★	★	★
		Matte black	★	★	★	★	★	★	★	★	★
		Black enamel	★	★	★	★	★	★	★	★	★
	Black glass	★	★	★	★	★	★	★	★	★	
Glass safety barrier (patented)		✓	✓	✓	✓	✓	✓	✓	✓	✓	
3/4" Faceplate		★	•	•	•	•	•	★	★	•	
Extended view side panels		•	•	•	•	•	•	★	★	★	
Corner installation kit		•	•	•	★	★	•	•	•	•	
Framing kits	Compact chase	•	•	★	•	•	•	•	•	•	
	Extended chase	•	•	★	•	•	•	•	•	•	
	Extended hearth	•	•	★	•	•	•	•	•	•	
	Starter kit	•	•	•	★	★	★	•	•	•	
Hearth top - black glass		•	•	★	•	•	•	•	•	•	
TV wiring kit		★	★	★	★	★	★	★	★	★	
Chase grills	Front chase grill	★	★	★	★	★	★	★	★	★	
	Side chase grill 2pk	•	•	★	•	•	★	★	•	•	
Accent lights		✓	✓	✓	✓	✓	✓	✓	✓	✓	
Controls	Proflame II Handheld	•	•	✓	✓	✓	✓	✓	✓	✓	
	Proflame II Wall Mount	✓	✓	•	•	•	•	•	•	•	
Venting	Direct vent	✓	✓	✓	✓	•	✓	✓	✓	✓	
	Power vent	✓	✓	✓	✓	✓	✓	✓	✓	✓	
	AstroCap® venting system	★	★	★	★	★	★	★	★	★	
	Heat Wave™ power duct system	★	★	★	★	★	★	★	★	★	
	Heat Wave adapter	★	★	★	★	★	★	★	★	•	
Propane conversion kit		★	★	★	★	★	★	★	★	★	

- Not available
- ✓ Standard
- ★ Optional

Specifications

► Natural Gas

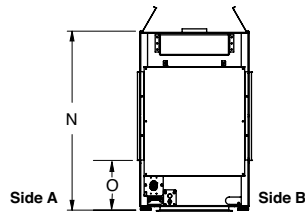
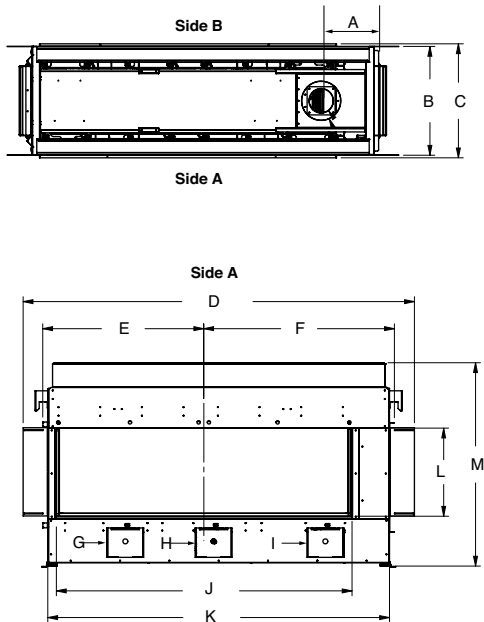
SPECIFICATIONS - NATURAL GAS		INPUT (BTU)	TURN DOWN TO (BTU)	EFFICIENCY (STEADY STATE)	ENERGUIDE RATING (CANADA ONLY)
Seattle See-Through	CST60E	39,000	21,000	64.04%	60.21%
Santa Monica Pier	CP60E	39,000	21,000	64.04%	60.21%
San Francisco Bay	CB40E	28,500	15,500	60.02%	55.23%
	CB60E	39,000	21,000	60.86%	56.23%
	CB72EPV	46,500	32,000	61.65%	63.39%
Chicago Corner	CC40RE • CC40LE	28,500	15,500	60.02%	55.23%
New York View	CV40E	28,500	15,500	60.02%	55.23%
	CV60E	39,000	21,000	55.44%	51.22%
	CV72E	46,500	32,000	63.06%	57.81%

► Propane

SPECIFICATIONS - PROPANE		INPUT (BTU)	TURN DOWN TO (BTU)	EFFICIENCY (STEADY STATE)	ENERGUIDE RATING (CANADA ONLY)
Seattle See-Through	CST60E	36,000	19,500	65.61%	62.48%
Santa Monica Pier	CP60E	36,000	19,500	65.61%	62.48%
San Francisco Bay	CB40E	28,500	15,500	60.70%	56.06%
	CB60E	36,000	19,500	61.77%	56.43%
	CB72EPV	45,500	36,000	64.20%	65.52%
Chicago Corner	CC40RE • CC40LE	28,500	15,500	60.70%	56.06%
New York View	CV40E	28,500	15,500	60.70%	56.06%
	CV60E	36,000	19,500	55.67%	51.96%
	CV72E	45,500	36,000	63.83%	60.61%

Specifications

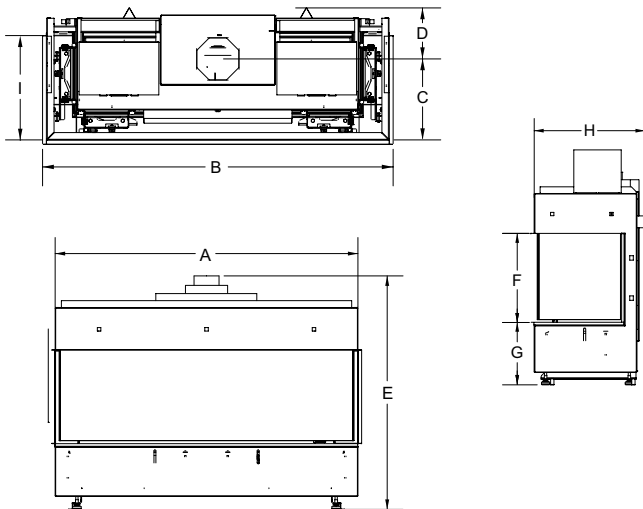
Seattle See-Through unit :



	CST60E
A	12-11/16"
B	22-3/16"
C	23-1/4"
D	79-1/13"
E	32-13/16"
F	38-7/8"
G, H, I	n/a
J	60-5/16"
K	69-11/16"
L	18"
M	41-1/2"
N	36-1/2"
O	10-1/8"

NOTE: CST60E: This model comes with a 5" inner and 8" outer collar when venting this as a direct vent. When installed as a power vent, The vent must be reduced to 4" x 6-5/8" in all applications.

San Francisco Bay units :



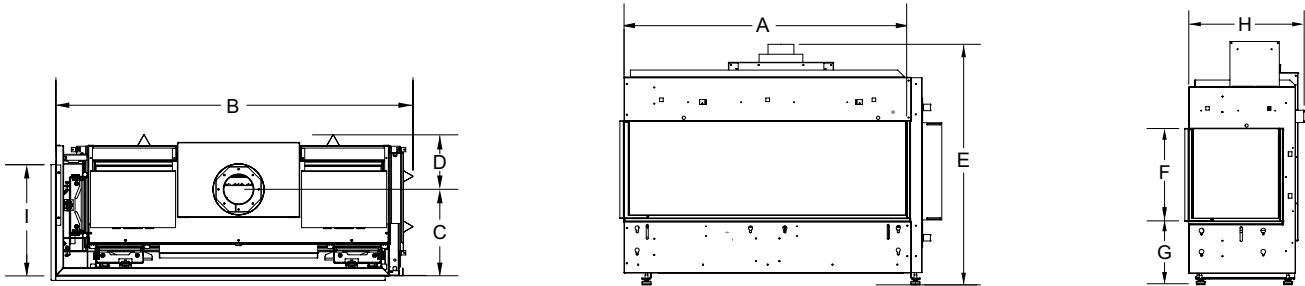
	CB40E	CB60E	CB72EPV
A	48-7/16"	71-1/4"	82-11/16"
B	49-5/8"	72-5/16"	83-7/8"
C	11-7/16"	13"	13"
D	7-1/4"	7-1/4"	7-3/8"
E	37-3/8"	39-1/4"	46-1/4"
F	15-1/16"	18"	15-1/16"
G	10-1/2"	10-1/4"	10-1/4"
H	18-11/16"	20-5/16"	20-3/8"
I	14-11/16"	16"	17"

NOTE CB72EPV : This model comes with a 5" inner and 8" outer collar which must be reduced to 4" x 6-5/8" in all applications when installed as a power vent. See manual for details.

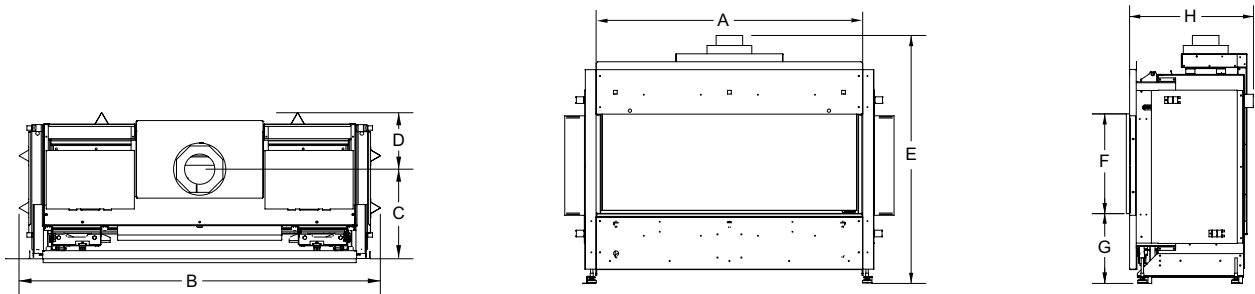
UNITS	VENTING
CB40E, CB72EPV	4" x 6-5/8"
CB60E	5" x 8"

Specifications

Chicago Corner units :



New York View units :



	CC40RE • CC40LE	CV40E	CV60E	CV72E
A	43-5/8"	40"	60-7/16"	72-1/8"
B	47-3/8"	46-1/4"	65-11/16"	77-7/16"
C	11-7/16"	11-7/16"	13-9/16"	13"
D	7-1/4"	7-1/4"	7-1/4"	7-3/8"
E	37-3/8"	37-3/8"	39-5/16"	46"
F	15-1/16"	15-1/16"	16"	15-1/16"
G	10-1/2"	10-1/2"	10-1/4"	10-1/4"
H	18-11/16"	18-11/16"	20-5/16"	20-3/8"
I	14-11/16"	--	16"	--

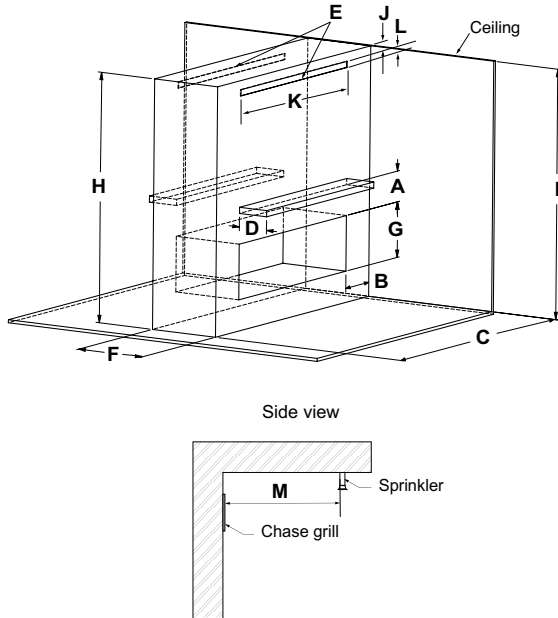
UNITS	VENTING
CC40RE, CC40LE	4" x 6-5/8"
CV40E	4" x 6-5/8"
CV60E, CB60E, CST60E, CP60E, CV72E	5" x 8"

NOTE - CV60E, CB60E, CST60E, CP60E & CV72E : These models come with a 5" inner and 8" outer collar which must be reduced to 4" x 6-5/8" in all applications when installed as a power vent. See manual for details.

Clearances

Seattle See-Through unit :

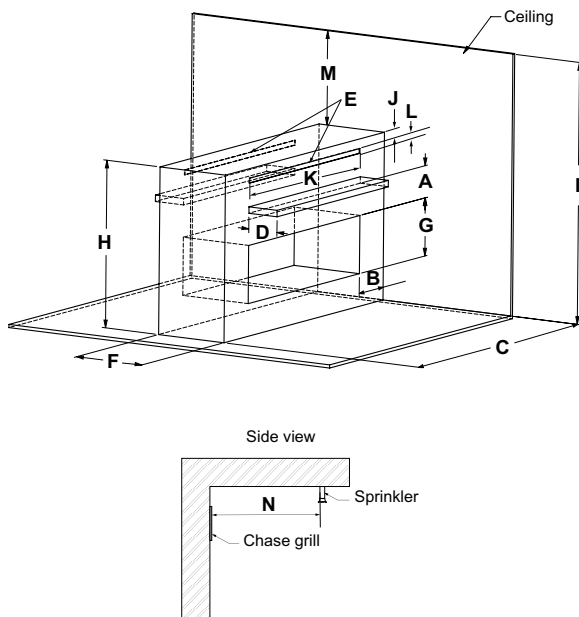
Flush installation is when the chase enclosure height is at a minimum of 81-1/4" or greater. This would be a typical installation, with walls placed between two rooms to divide them.



CLEARANCES - FLUSH INSTALLATION		CST60E
A	Mantel Height (min.)	**
B	Sidewall (on one side)	8"
C	Enclosure Width (min.)	71-3/4"
D	Mantel Depth (max.)	**
E	Convection Air Outlet	120 sq. in.*
F	Framing Depth (min.)	22-1/4"
G	Opening Height	18"
H	Chase Enclosure (min.)	81-1/4"
I	Ceiling Height (min.)	81-1/4"
J	Convection Air Outlet Opening Offset (max.)	2"
K	Convection Air Outlet Opening Width (min.)	10"
L	Convection Air Outlet Opening Height (min.)	1-1/2"
M	Clearance to Sprinkler Head (min.)	36"

Ventilation Opening requirements: *A minimum of 120 sq. in. of open area, not lower than 0 - 2" from top of enclosure, is required for all installations.
 ** See mantel clearances chart in the manual.

Bench installation is when the chase enclosure height is at a minimum of 52" to a maximum of 81-1/4". If the bench installation is completed at the minimum height, a shelf, countertop, or other finish can be installed.



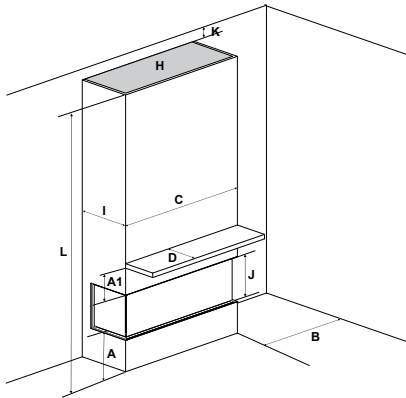
CLEARANCES - BENCH INSTALLATION		CST60E
A	Mantel Height (min.)	**
B	Sidewall (on one side)	8"
C	Enclosure Width (min.)	71-3/4"
D	Mantel Depth (max.)	**
E	Convection Air Outlet	180 sq. in.*
F	Framing Depth (min.)	22-1/4"
G	Opening Height	18"
H	Chase Enclosure (min.)	52" to 81-1/4" max.
I	Ceiling Height (min.)	81-1/4"
J	Convection Air Outlet Opening Offset (max.)	2"
K	Convection Air Outlet Opening Width (min.)	10"
L	Convection Air Outlet Opening Height (min.)	1-1/2"
M	Ceiling Clearance (min.)	3"
N	Clearance to Sprinkler Head (min.)	36"

Ventilation Opening requirements: *A minimum of 120 sq. in. of open area, not lower than 0 - 2" from top of enclosure, is required for all installations.
 ** See mantel clearances chart in the manual. For clearances greater than 81-1/4" , see flush installation clearances in this manual. The size of the ventilation opening is reduced from 180 sq. in. to 120 sq. in.

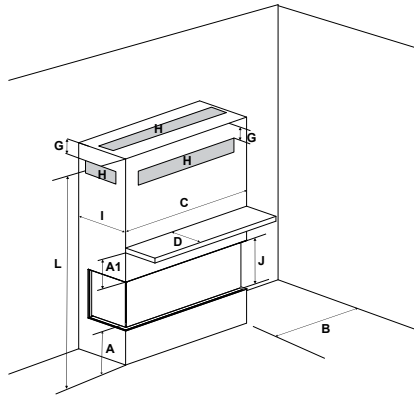
NOTE: Refer to manual for more flush and bench installation examples.

Clearances

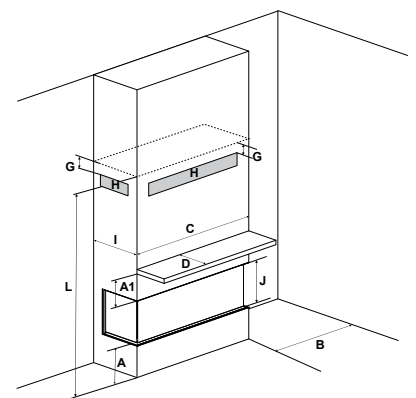
San Francisco Bay units :



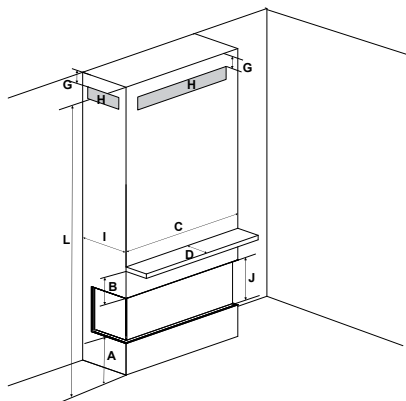
Floor to ceiling with top opening



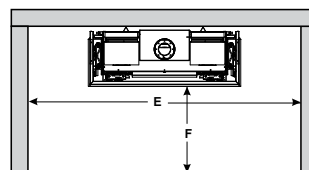
Low framing with vents in front/sides or top



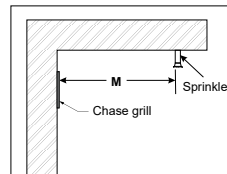
Full framing with low vents in front or sides



Full framing with vents in front or sides



Alcove



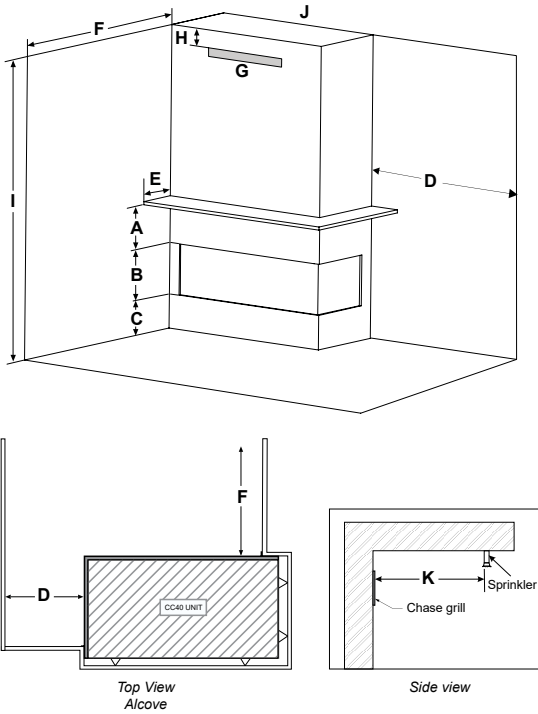
Side view

CLEARANCES		CB40E	CB60E	CB72EPV
A	From Floor	Min. 0"	Min. 0"	Min. 0"
A1	Mantel Height (min.)	**	**	**
B	Sidewall (on one side)	8-1/2"	5-7/8"	8"
C	Enclosure Width (min.)	48-7/16"	71-1/4"	82-11/16"
D	Mantel Depth (max.)	**	**	**
E	Alcove Width	84"	119-1/2"	120"
F	Alcove Depth	36"	35"	36"
G	To Enclosure Ceiling (min./max.)	0 - 3"	0 - 2"	0 - 2"
H	Convection Air Outlet	120 sq. in.	180 sq. in.	288 sq. in.
I	Enclosure Depth (min.)	19"	20-5/16"	20-3/8"
J	Opening Height	15-1/16"	18"	15-1/16"
K	To Ceiling (min.) - All 3 sides	1-1/2"	1-3/4"	2-1/2"
L	Chase Enclosure (min.)	63"	81-1/4"	87"
M	Clearance to Sprinkler Head (min.)	36"	36"	36"

** See mantel clearances chart in the manual.

Clearances

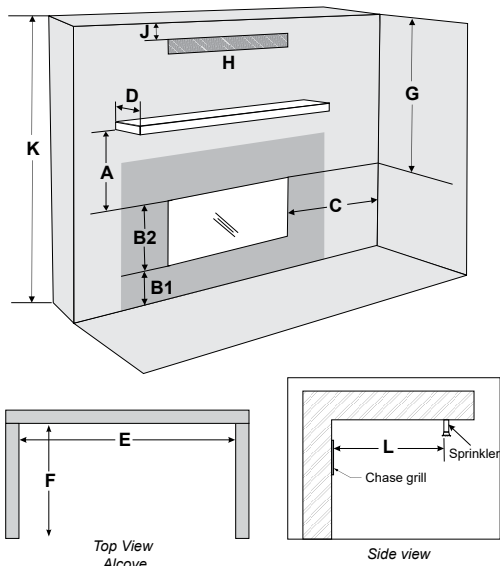
Chicago Corner units :



CLEARANCES		CC40RE • CC40LE
A	Mantel Height (min.)	**
B	Opening Height	15-1/16"
C	From Floor	Min. 0"
D	Sidewall (on one side)	Min. 36"
E	Mantel Depth (max.)	**
F	Alcove Depth	Min. 36"
G	Convection Air Outlet	120 sq. in.
H	Convection Air Outlet Opening Offset	0 - 3"
I	Chase Enclosure (min.)	63"
K	Clearance to Sprinkler Head (min.)	36"

** See mantel clearances chart in the manual.

New York View units :

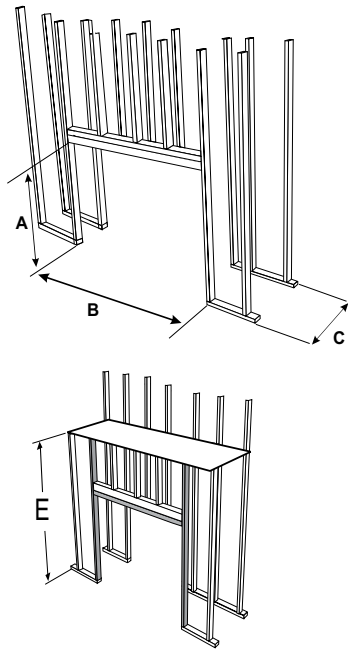


CLEARANCES		CV40E	CV60E	CV72E
A	Mantel Height (min.)	**	**	**
B1	From Floor	Min. 0"	Min. 0"	Min. 0"
B2	Opening Height	15-1/16"	18"	15-1/2"
C	Sidewall (on one side)	8-1/2"	8"	8"
D	Mantel Depth (max.)	**	**	**
E	Alcove Width	84"	109-1/2"	88"
F	Alcove Depth	36"	35"	36"
G	Ceiling (in front of fireplace)	38-15/16"	53"	61-3/4"
H	Convection Air Outlet	120 sq. in.	180 sq. in.	288 sq. in.
J	Convection Air Outlet Opening Offset	0 - 3"	0 - 2"	0 - 2"
K	Chase Enclosure (min.)	63"	81-1/4"	87"
L	Clearance to Sprinkler Head (min.)	36"	36"	36"

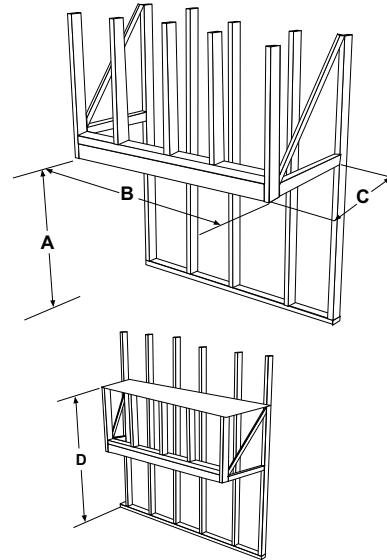
** See mantel clearances chart in the manual.

○ Framing

Seattle See-Through unit :



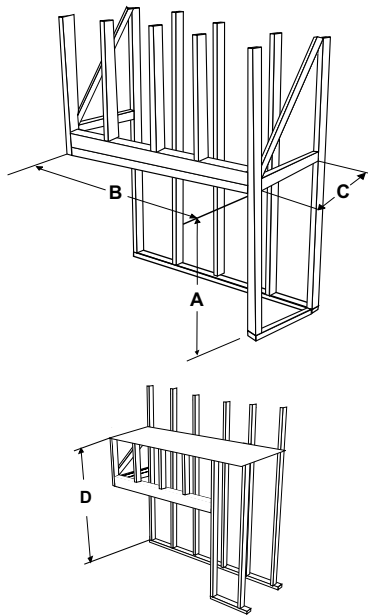
San Francisco Bay units :



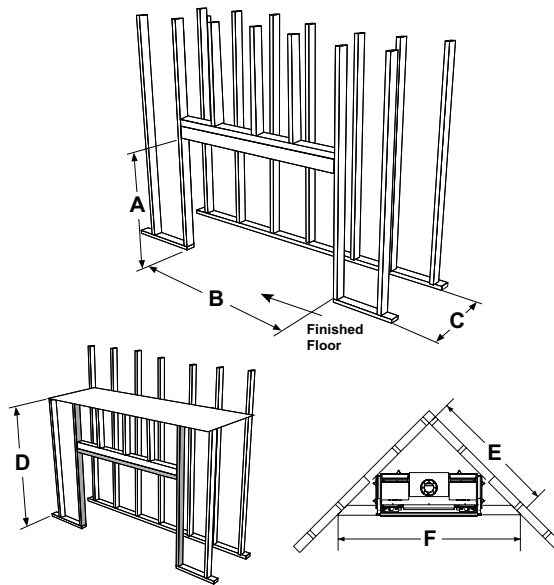
FRAMING	CST60E	CB40E	CB60E	CB72EPV
A Framing Height	For 2" x 4": 45-1/8" For 2" x 6": 52"	37-3/8"	44-3/4"	51"
B Framing Width	71-3/4"	48-1/2"	71-1/4"	82-11/16"
C Framing Depth	22-1/4"	19"	20-5/16"	20-5/8"
D Minimum Height to Combustibles	Bench: 52" Flush: 81-1/4"	63"	81-1/4"	87"

— Framing

Chicago Corner units :



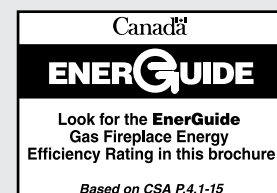
New York View units :



FRAMING	CC40RE • CC40LE	CV40E	CV60E	CV72E
A Framing Height	37-3/8"	37-3/8"	44-3/4"	51"
B Framing Width	48-1/4"	46-3/4"	65-11/16"	78"
C Framing Depth	19"	19"	20-5/16"	20-5/8"
D Minimum Height to Combustibles	63"	63"	81-1/4"	87"
E Corner Wall Depth	-	55"	73-7/16"	82-1/8"
F Corner Facing Wall Width	-	77-3/4"	103-7/8"	116-3/16"

Visit www.regency-fire.com for City Series downloads including:

- Specifications
- Detailed drawings
- Manuals
- Framing & clearances





Find More Products at [REGENCY-FIRE.COM](https://www.regency-fire.com)



©2023 FPI Fireplace Products International Ltd. Regency®, AstroCap® and Heat Wave™ are registered or proprietary trademarks of FPI Fireplace Products International Ltd. All rights reserved. Printed in Canada (03/23)
Part No. 944-427

Your Regency Dealer