



WOOD FIREPLACES, INSERTS & STOVES

REGENCY-FIRE.COM



WHY CHOOSE REGENCY?

At Regency, our past 40 years have been focused on providing a high-level of service while building high-quality and reliable products that our customers can enjoy for years to come.

HIGH-QUALITY

Producing a high-quality product has been at the very heart of what we do from when that very first stove rolled off the production line over 40 years ago to today. We are ever-focused on producing quality products for our customers that will last for years to come.

BEST WARRANTY

A fireplace should be reliable and should work right the first time it is used, and the 1,000th. A core part of our business is making sure that we are building long-lasting, durable, high-quality products; we back-up that commitment with the industry's best warranty on all our products.

COST-EFFICIENT

Never before have home heating costs been higher. Turn your furnace way down and zone heat with our beautiful, reliable and convenient Regency products. Not only can you cut your fuel bills in half, but you'll be able to enjoy the timeless comfort of a Regency fire.

Why Regency? Because it's more than a fireplace!



TABLE OF CONTENTS

Regency Cascades™ Wood Stoves F1500 & F2500	06
Regency Pro-Series™ Wood Stoves F3500 & F5200	08
Regency Cascades™ Wood Inserts i1500 & i2500	10
Regency Pro-Series™ Wood Inserts Ci2700 & Hi500	12
Technology	14
Accessories	16
Regency Alterra® Wood Fireplace CF780	18
Regency Contura® Wood Fireplace Ri50	20
Specifications	22





renewable • affordable • beautiful





ECO-FRIENDLY

Regency Cascades™ and Regency Pro-Series™ products are fully EPA 2020 certified; producing the fewest emissions of any Regency wood products ever! Help protect our environment by choosing Regency.



HIGHLY EFFICIENT

Using more of the wood's available energy means less loading, less chopping, less effort, and most importantly less money spent on wood! Save money with highly efficient Regency wood products.



INDUSTRY'S BEST WARRANTY

Regency Cascades™ and Regency Pro-Series™ products offers the industry's best warranty which is a 10-year, 100% warranty on the original combustor plus a lifetime limited warranty.



QUALITY, DURABLE PRODUCTS

Regency wood products are manufactured right here in North America using high-quality thick gauge steel. All Regency products are designed from the ground up to be durable and to last generations.



F1500 shown with cast iron legs and door with nickel accent.

REGENCY CASCADES™ | F1500 *Small Wood Stove*

The Regency Cascades F1500 small wood stove featuring Eco-Boost triple burn technology is a highly-efficient heater in a compact body that does not disappoint in terms of heating capacity, long burn times and low emissions.

FEATURES

- EPA 2020 certified
- Front mounted air adjustment & catalytic bypass
- Air & bypass operating tool
- Easy to read catalytic thermometer
- High performance brick-lined firebox
- Clean glass airwash system
- Heavy gauge steel log retainers
- Rear heat deflector
- Mobile home and alcove approved
- Closest clearances in the industry
- 10-year 100% coverage on original catalyst

OPTIONS

- Cast iron door with ceramic glass in black or nickel accent
- Pedestal base
- Cast iron legs in black or brushed nickel
- Ash drawer
- Variable speed blower
- Convector airmate
- Outside air kit

SPECIFICATIONS

Maximum BTU*	55,000
Typical sq. ft. heated**	600 - 1,200
Efficiency (EPA LHV)	84%
Max log size	18"
Burn time	Up to 10 hours
Emissions	1.0 g/h
Firebox size	1.3 cu. ft.
Flue size	6"

* Length of burn time and BTU range depend on type of wood, moisture content, climate conditions and installation. Refer to page 16 for BTU calculation method.

** Varies depending on home floor plan, house layout, heat loss of the house and quality/moisture content of wood.



F2500 shown with pedestal base and black cast iron door and airmate.

REGENCY CASCADES™ | F2500 Medium Wood Stove

The Regency Cascades F2500 wood stove featuring Eco-Boost triple burn technology does not disappoint. That's why it's the perfect stove for most spaces.

FEATURES

- EPA 2020 certified
- Front mounted air adjustment & catalytic bypass
- Air & bypass operating tool
- Easy to read catalytic thermometer
- High performance brick-lined firebox
- Clean glass airwash system
- Rear heat deflector
- Mobile home** and alcove approved
- Closest clearances in the industry
- 10-year 100% coverage on original catalyst

OPTIONS

- Cast iron door with ceramic glass in black or nickel accent
- Pedestal base
- Cast iron legs in black or brushed nickel
- Ash drawer
- 2 speed blower
- Convector airmate
- Outside air kit

SPECIFICATIONS

Maximum BTU*	78,000
Typical sq. ft. heated**	1,000 - 2,200
Efficiency (EPA LHV)	81%
Max log size	18"
Burn time	Up to 12 hours
Emissions	1.0 g/h
Firebox size	2.3 cu. ft.
Flue size	6"

* Length of burn time and BTU range depend on type of wood, moisture content, climate conditions and installation. Refer to page 16 for BTU calculation method.

** Varies depending on home floor plan, house layout, heat loss of the house and quality/moisture content of wood.

**Approved in USA only



F3500 shown with pedestal base, contemporary cast iron door and airmate.

REGENCY PRO-SERIES™ | F3500 Large Wood Stove

Enjoy a full, roaring fire with strong heat or use the single lever air control, conveniently located on the front of the stove, to adjust the flame to enjoy lower heat and gorgeous glowing embers. The choice is yours!

FEATURES

- EPA 2020 certified
- Front mounted air adjustment & side mounted catalytic bypass
- Easy to read catalytic thermometer
- High performance brick-lined firebox
- Clean glass airwash system
- Rear heat deflector
- Mobile home and alcove approved
- Contemporary cast iron door with ceramic glass
- 170° opening door for easy loading
- Heavy duty 3/16 in. steel firebox
- Positive cam latching system
- 10-year 100% coverage on original catalyst

OPTIONS

- Ash pan with cover
- 2 speed blower
- Convector airmate
- Outside air kit
- Mobile home kit (Canada only)

SPECIFICATIONS

Maximum BTU*	75,000
Typical sq. ft. heated**	1,500 - 2,500
Efficiency (EPA LHV)	87%
Max log size	20"
Burn time	Up to 24 hours
Emissions	0.9 g/h
Firebox size	3.0 cu. ft.
Flue size	6"

* Length of burn time and BTU range depend on type of wood, moisture content, climate conditions and installation. Refer to page 16 for BTU calculation method.

** Varies depending on home floor plan, house layout, heat loss of the house and quality/moisture content of wood.



F5200 shown with pedestal base, contemporary cast iron door and airmate.

REGENCY PRO-SERIES™ | F5200 Extra Large Wood Stove

The F5200 wood stove lets you load an impressive 90 pounds of fuel. Its clean, classic design provides the perfect backdrop to the wide view cast door giving you a large fire view that will take your breath away!

FEATURES

- EPA 2020 certified
- Front mounted air adjustment & side mounted catalytic bypass
- Easy to read catalytic thermometer
- High performance brick-lined firebox
- Clean glass airwash system
- Rear heat deflector
- Mobile home and alcove approved
- Contemporary cast iron door with ceramic glass
- 170° opening door for easy loading
- Heavy duty 3/16 in. steel firebox
- Positive cam latching system
- 10-year 100% coverage on original catalyst

OPTIONS

- Ash pan with cover
- 2 speed blower
- Convector airmate
- Outside air kit

SPECIFICATIONS

Maximum BTU*	80,000
Typical sq. ft. heated**	1,500 - 3,000
Efficiency (EPA LHV)	86%
Max log size	22"
Burn time	Up to 30 hours
Emissions	0.9 g/h
Firebox size	4.4 cu. ft.
Flue size	8"

* Length of burn time and BTU range depend on type of wood, moisture content, climate conditions and installation. Refer to page 16 for BTU calculation method.

** Varies depending on home floor plan, house layout, heat loss of the house and quality/moisture content of wood.



i1500 shown with regular faceplate and black cast iron door (digital catalytic monitor not shown).

REGENCY CASCADES™ | i1500 Small Wood Insert

The Regency Cascades i1500 small wood insert featuring Eco-Boost triple burn technology is perfect for sealing a drafty fireplace that isn't quite big enough for a standard sized insert or where a more compact style heater is required.

FEATURES

- EPA 2020 certified
- Front mounted air adjustment & catalytic bypass
- Air & bypass operating tool
- Digital catalytic temperature monitor
- High performance brick-lined firebox
- Clean glass airwash system
- Heavy gauge steel log retainers
- 10-year 100% coverage on original catalyst

OPTIONS

- Cast iron door with ceramic glass in black or nickel accent
- Regular or oversize faceplate (black trim included)
- Variable speed blower
- Standard or 4-1/2" offset flue adaptor
- Regency stainless steel flex liner kits
- Wrap insulation kits

SPECIFICATIONS

Maximum BTU*	55,000
Typical sq. ft. heated**	600 - 1,200
Efficiency (EPA LHV)	84%
Max log size	18"
Burn time	Up to 10 hours
Emissions	1.0 g/h
Firebox size	1.3 cu. ft.
Flue size	6"

** Length of burn time and BTU range depend on type of wood, moisture content, climate conditions and installation. Refer to page 16 for BTU calculation method.*

*** Varies depending on home floor plan, house layout, heat loss of the house and quality/moisture content of wood.*



i2500 shown with regular faceplate and black cast door with nickel accent.

REGENCY CASCADES™ | i2500 *Medium Wood Insert*

The Regency Cascades i2500 medium wood insert featuring Eco-Boost triple burn technology is designed to fit easily into your existing fireplace, sealing out drafts and offering the perfect amount of heat for most spaces.

FEATURES

- EPA 2020 certified
- Side mounted air adjustment & front mounted catalytic bypass
- Air & bypass operating tool
- Digital catalytic temperature monitor
- High performance brick-lined firebox
- Clean glass airwash system
- Black convection grilles
- 10-year 100% coverage on original catalyst

OPTIONS

- Cast iron door with ceramic glass in black or nickel accent
- Nickel convection grilles
- Regular or oversize faceplate (black trim included)
- 2 speed blower
- Regency stainless steel flex liner kits
- Wrap insulation kits

SPECIFICATIONS

Maximum BTU*	78,000
Typical sq. ft. heated**	1,000 - 2,200
Efficiency (EPA LHV)	82%
Max log size	18"
Burn time	Up to 12 hours
Emissions	1.0 g/h
Firebox size	2.3 cu. ft.
Flue size	6"

* Length of burn time and BTU range depend on type of wood, moisture content, climate conditions and installation. Refer to page 16 for BTU calculation method.

** Varies depending on home floor plan, house layout, heat loss of the house and quality/moisture content of wood.



Ci2700 shown with low profile faceplate (digital catalytic monitor not shown).

REGENCY PRO-SERIES™ | Ci2700 Large Wood Insert

This insert's flush design takes the wood insert category to a whole new level. Clean lines surround an expansive linear firebox to provide you with a designer look around an impressive fire.

FEATURES

- EPA 2020 certified
- Front mounted air adjustment & catalytic bypass
- Digital catalytic temperature monitor
- High performance brick-lined firebox
- Clean glass airwash system
- Heavy gauge steel log retainers
- Contemporary cast iron door with ceramic glass
- 110° opening door for easy loading
- Quick access leveling bolts
- Rollers for easy installation
- 10-year 100% coverage on original catalyst

OPTIONS

- Low profile or contemporary faceplate
- Backing plate in 2 sizes
- Concealed 2 speed blower
- Offset flue adapter for installation flexibility
- Regency stainless steel flex liner kits
- Flue connectors
- Wrap insulation kits

SPECIFICATIONS

Maximum BTU*	78,000
Typical sq. ft. heated**	up to 2,600
Efficiency (EPA LHV)	79%
Max log size	22"
Burn time	Up to 14 hours
Emissions	1.3 g/h
Firebox size	2.6 cu. ft.
Flue size	6"

* Length of burn time and BTU range depend on type of wood, moisture content, climate conditions and installation. Refer to page 16 for BTU calculation method.

** Varies depending on home floor plan, house layout, heat loss of the house and quality/moisture content of wood.



Hi500 shown with decorative cast grille (digital catalytic monitor not shown).

REGENCY PRO-SERIES™ | Hi500 Large Wood Insert

This hybrid catalytic wood insert completes the look of any room. With modern technology and traditional design, enjoy the best of both worlds without sacrificing style or efficiency!

FEATURES

- EPA 2020 certified
- Front mounted air adjustment & catalytic bypass
- Digital catalytic temperature monitor
- High performance brick-lined firebox
- Clean glass airwash system
- Heavy gauge steel log retainers
- Traditional cast iron door with ceramic glass
- 110° opening door for easy loading
- Quick access leveling bolts
- Rollers for easy installation
- 10-year 100% coverage on original catalyst

OPTIONS

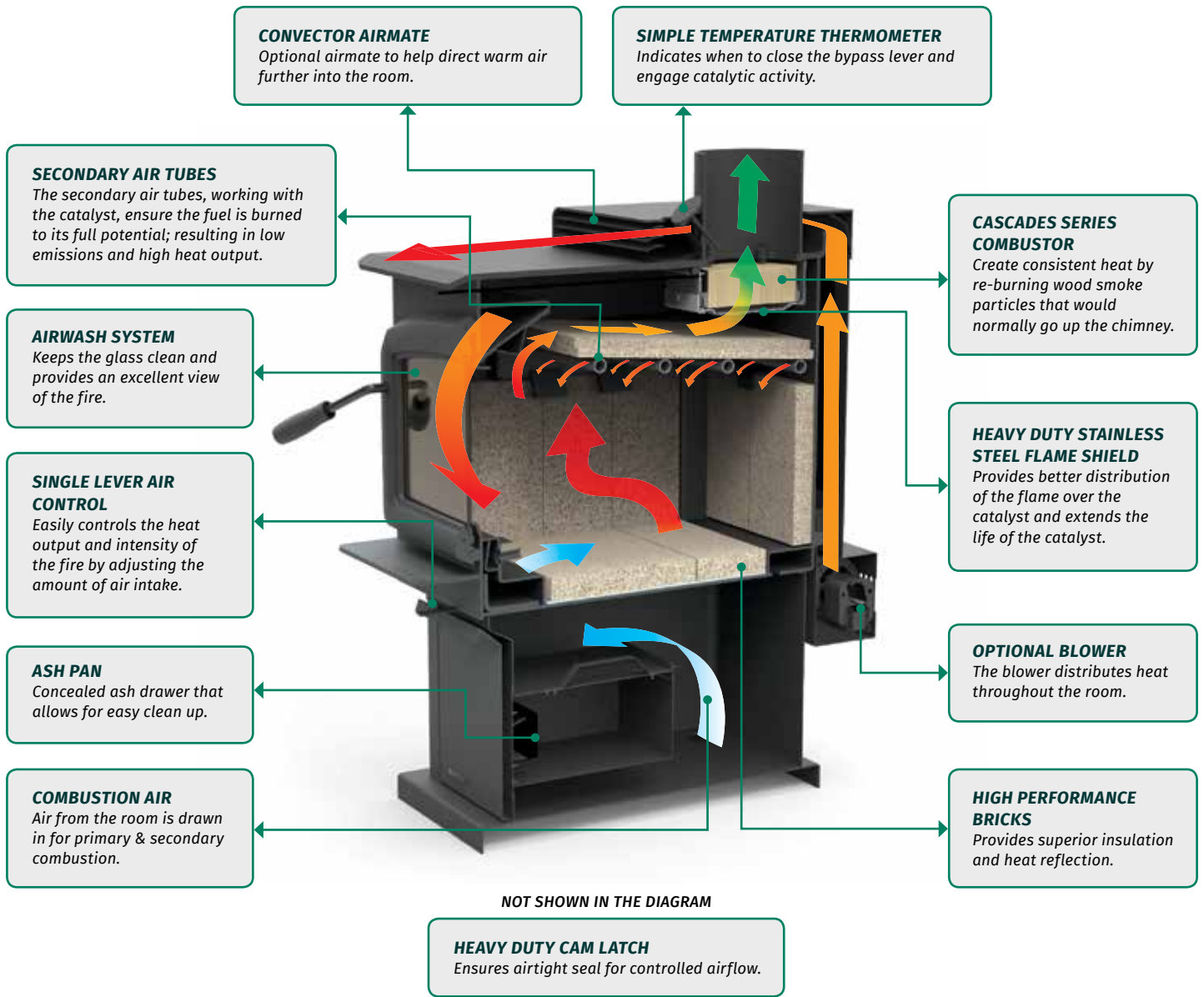
- Black or timberline brown enamel finish
- Flush mount 2 speed blower
- Faceplates in two sizes
- Decorative cast grille
- Backing plates in two sizes
- Offset flue adaptor for installation flexibility
- Stainless steel liner kits
- Flue connectors
- Wrap insulation kits

SPECIFICATIONS

Maximum BTU*	78,000
Typical sq. ft. heated**	up to 2,600
Efficiency (EPA LHV)	79%
Max log size	22"
Burn time	Up to 14 hours
Emissions	1.3 g/h
Firebox size	2.6 cu. ft.
Flue size	6"

* Length of burn time and BTU range depend on type of wood, moisture content, climate conditions and installation. Refer to page 16 for BTU calculation method.
 ** Varies depending on home floor plan, house layout, heat loss of the house and quality/moisture content of wood.

ECO-BOOST TRIPLE BURN TECHNOLOGY *For Stoves*



F3500 & F5200 (Stoves)

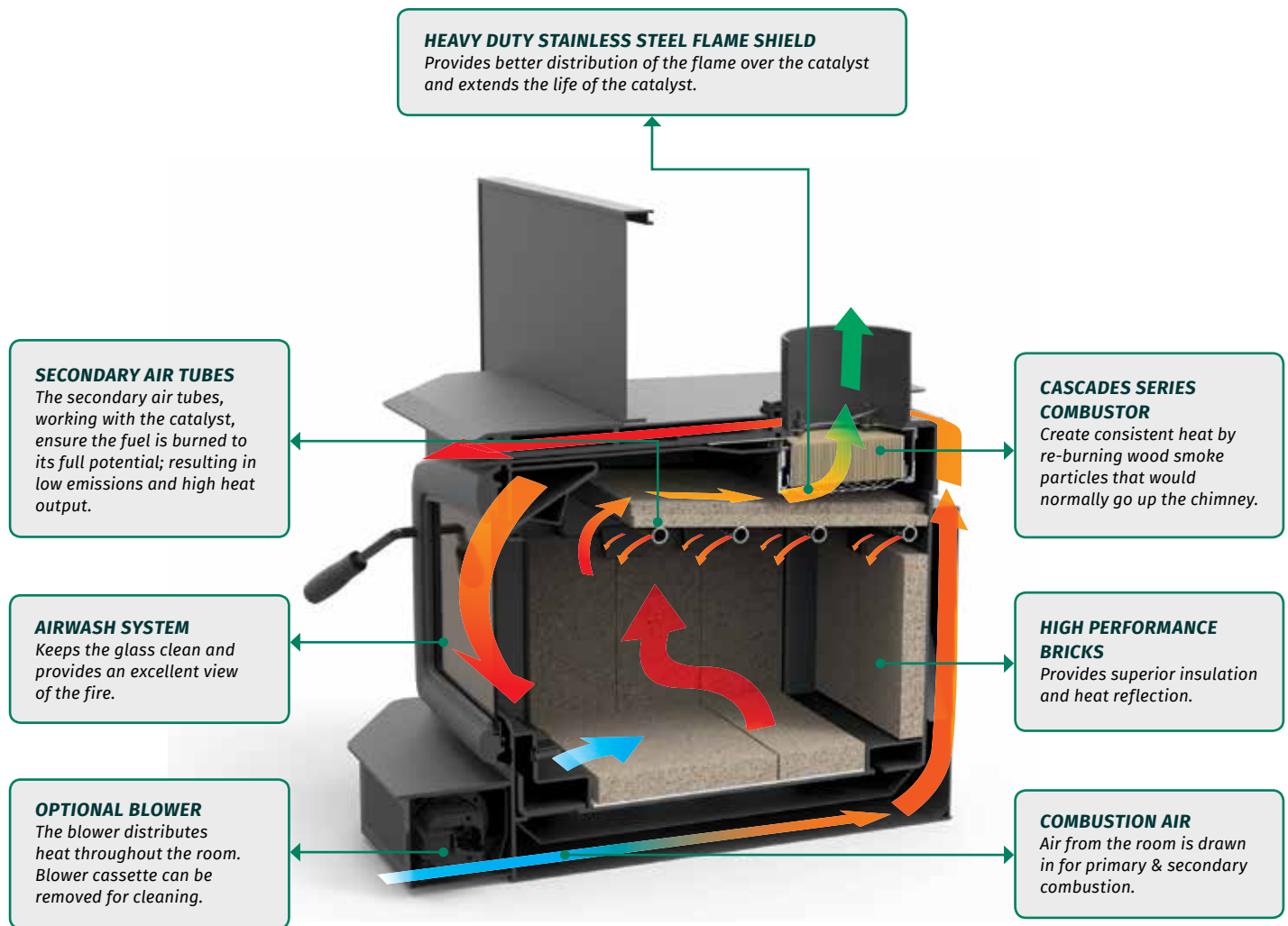


Ci2700 & Hi500 (Inserts)

PRO-SERIES COMBUSTOR

The Eco-Boost triple-stage burn system functions similarly on both the Regency Pro-Series and Regency Cascades series; however, the air tubes and catalytic combustor are positioned differently.

ECO-BOOST TRIPLE BURN TECHNOLOGY *For Inserts*



LESS LOADING, FEWER EMISSIONS, AND MORE VALUE

With Eco-Boost technology you get more out of your wood. Offering some of the highest efficiencies available anywhere, the Eco-Boost system uses more of the available energy in the wood, resulting in less loading, less chopping, and less hauling.

The triple-stage burn significantly reduces emissions below EPA 2020 standards. Eco-Burn technology is good for your wallet and good for the environment.



LEARN MORE ABOUT OUR
WOOD TECHNOLOGIES AT
regency-fire.com/videos

ACCESSORIES

CAST IRON DOORS *(Cascade Series only)* Doors are included with the Pro-series



Black cast iron door
(includes black hinge caps)



Nickel accent cast iron door
(includes nickel hinge caps)

BASE OPTIONS



Brushed nickel cast iron legs
(Cascade woodstove only)



Black cast iron legs
(Cascade woodstove only)



Black pedestal
(Included with the Pro-series)

CONVECTOR AIRMATE



The convector airmate scoops super heated air from the back and top of the stove and directs it to the living area in front. This heat dispersion reduces temperatures behind the unit and allows it to be installed even closer to the wall.

POWERFUL BLOWER



This powerful blower can dramatically increase the circulation of heat in your home. It includes an automatic heat sensor which turns the blower on & off at predetermined temperatures.

ASH PAN



SPECIFICATIONS RECAP

SPECIFICATIONS	F1500	F2500	F3500	F5200	i1500	i2500	Ci2700/Hi500
Maximum BTU*	55,000	78,000	75,000	80,000	55,000	78,000	78,000
Typical sq. ft. heated**	600 - 1,200	1,000 - 2,200	1,500 - 2,500	1,500 - 3,000	600 - 1,200	1,000 - 2,200	up to 2,600
Efficiency (EPA LHV)	84%	81%	87%	86%	84%	82%	79%
Max log size	18"	18"	20"	22"	18"	18"	22"
Burn time*	Up to 10 hours	Up to 12 hours	Up to 24 hours	Up to 30 hours	Up to 10 hours	Up to 12 hours	Up to 14 hours
Emissions	1.0 g/h	1.0 g/h	0.9 g/h	0.9 g/h	1.0 g/h	1.0 g/h	1.3 g/h
Firebox size	1.3 cu. ft.	2.3 cu. ft.	3.0 cu. ft.	4.4 cu. ft.	1.3 cu. ft.	2.3 cu. ft.	2.6 cu. ft.
Flue size	6"	6"	6"	8"	6"	6"	6"

* Length of burn time and BTU range depend on type of wood, moisture content, climate conditions and installation.

** Varies depending on home floor plan, house layout, heat loss of the house and quality/moisture content of wood.

*** BTU CALCULATION METHOD: Max BTUs are calculated by taking an average fillable volume of 95% of the stove's capacity, multiplied by 19.5 pounds per square foot and an average of 9100 BTUs per pound of wood. Factoring in the listed efficiency, 15% moisture content and dividing by the proven burn time at the high heat setting.

REGENCY WOOD FIREPLACES



stylish • **reliable** • **radiant**

RELAX WITH REGENCY DECORATIVE FIREPLACE

There's nothing quite like sitting by a cozy fire; the dancing flame, crackle of the wood, radiant warmth, and distinctive smell tugs at our heart strings. This love for fire is deeply ingrained and borne out of evolution; it is no doubt why fireplaces are still so sought after. We feel calmer, safer and more sociable. Sitting in front of a fire has been proven to lower blood pressure and generate a sense of community with those around us.

Regency decorative wood fireplaces are perfect for those looking to add a stunning fireplace, experience the comfort and ambiance of a real wood fire but do not require significant heat output for their entire home.



CF780 wood fireplace shown with contemporary brick panels.

REGENCY ALTERRA® | CF780 Large Wood Fireplace

Add natural elegance to any room with Regency's largest portrait style wood fireplace. Designed to showcase the dynamic ambiance of a wood burning fire, the Regency Alterra CF780 is a magnificent and captivating focal point.

FEATURES

- Easy to use: no air adjustment needed - load it and leave it!
- Over 700 sq. in. of fire viewing area
- Clean edge finish puts the focus directly on the fire
- Guillotine style door slides into the chase
- Integrated safety screen can be pulled down when required, or discreetly hidden out of sight
- Stylish removable wooden door tool with strap
- Heavy gauge steel log retainers
- Designed to fit perfectly on any wall, including corners
- Door has been designed for cleaning and complete serviceability
- Top vent with standard 8 inch pipe

OPTIONS

- Customize the look by choosing from contemporary or traditional brick panels
- Outside air and flue damper can be closed when not in use, preventing cold air from coming into your home
- Approved to use with gas logs
- Various venting kits



CF780 wood fireplace shown with contemporary brick panels.

SPECIFICATIONS	
Width (front)	49-5/8"
Width (back)	25-7/8"
Height	73-7/16"
Depth	33-7/8"

SPECIFICATIONS	
Glass viewing height	23-3/4"
Glass viewing width	31-1/4"
Maximum log size	18"
Firebox box	7.91 cu. ft.
Flue size	8"

INNER BRICK PANEL OPTIONS



Contemporary



Traditional



CF780 wood fireplace shown with front glass half way and mesh safety screen down

NOTE: The ember protection shown in these images may not accurately reflect the ember protection dimensions required for your area.



Ri50 shown with black steel panels and two log boxes.

REGENCY CONTURA™ | Ri50 Medium Wood Fireplace

The Contura Ri50 makes starting and maintaining a wood burning fire easy. More than a fireplace, enjoy a gathering place for family and friends. Use the optional, easy to position steel side box as a contemporary seat and stylish storage solution.

FEATURES

- Easy to use: no air adjustment needed - load it and leave it!
- Over 500 sq. in. of fire viewing area from three sides
- 3-sided guillotine style door maximizes design impact
- Side doors swing open for easy cleaning & full firebox access
- Designed to integrate seamlessly into any room
- Thermotte® firebox lining is a perfect fit with no risk of warping
- Integrated removable ash pan makes clean up quick & easy
- Wood log loading gloves included
- Top or rear vent for flexible installation

OPTIONS

- Available with black steel or white steel panels
- Steel log box allows for stylish, clean storage
- Outside air kit is available to help with air tight homes
- 3" black rear wall finishing trim to create a flush finish



RI50 shown with white steel panels, log box and black rear wall finishing trim.

SPECIFICATIONS

Maximum log size	16"
Firebox box	1.8 cu. ft.
Flue size	6"



NOTE: The ember protection shown in these images may not accurately reflect the ember protection dimensions required for your area.

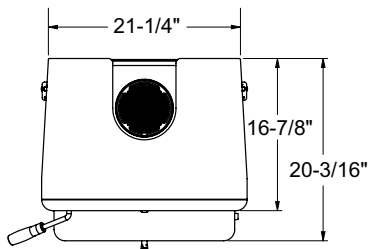
SPECIFICATIONS

CUSTOMER CARE



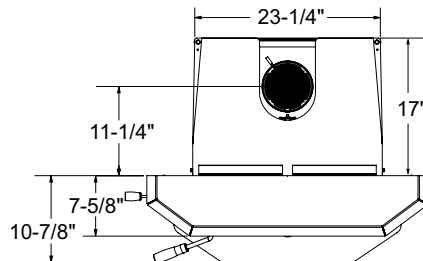
Visit the Regency website for maintenance tips and how-to videos!
<http://www.regency-fire.com/Customer-Care.aspx>

i1500, i2500, Ci2700 & Hi500

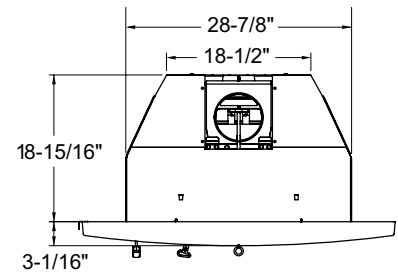


shown with standard flue adaptor

i1500 TOP



i2500 TOP



Ci2700/Hi500 TOP

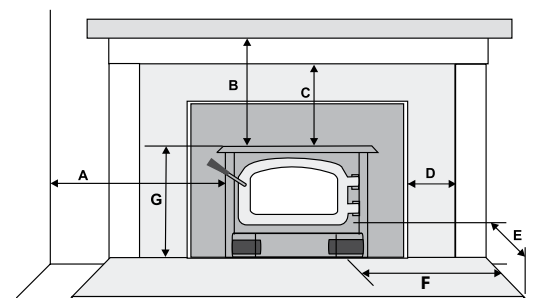
DIMENSIONS	i1500	i2500	Ci2700/Hi500
Firebox Height	18-3/4"	20-3/4"	21-1/2"
Height to Top of Flue Collar	19-1/2"	21-3/8"	23-1/2"
Faceplate Width	38"	40"	40"
Faceplate Height	26-3/8"	30"	26"
Oversize Faceplate (W x H)	44" x 30-3/8"	48" x 33"	--

MIN. FIREPLACE OPENING	i1500	i2500	Ci2700/Hi500
Height	19"	21-1/2"	21-3/4"
Width (front)	23"	25"	29"
Depth (with standard flue adaptor)	13-3/4"	17"	19"
Depth (with offset flue adaptor)	16-1/2"	--	--

MASONRY AND FACTORY BUILT FIREPLACE CLEARANCES

The minimum required clearances to combustible materials when installed into a masonry or factory built fireplace are listed below for 3.5" mantle:

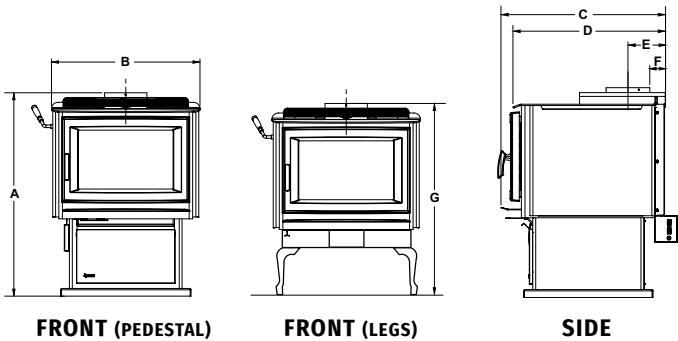
UNITS	ADJACENT SIDE WALL (TO SIDE)	MANTLE (TO TOP OF UNIT)	TOP FACING (TO TOP OF UNIT)	SIDE FACING (TO SIDE OF UNIT)	MIN. HEARTH EXTENSION		MINIMUM HEARTH SIDE EXTENSION	TO TOP OF UNIT
	A	B	C	D	E (USA)	E (CAN)	F	
i1500**	15"	15"	14"	1/2"	16"	18"	8"	18-3/4"
i2500**	12"	17-1/4"	16"	1/2"	16"	18"	8"	20"
Ci2700/Hi500	12-3/16"	21-5/8"	14"	7-3/8"	16"	18"	1-1/2"	19-1/4"



**NOTE: Refer to manual for any mantle greater than 3.5" up to a maximum of 12".

SPECIFICATIONS

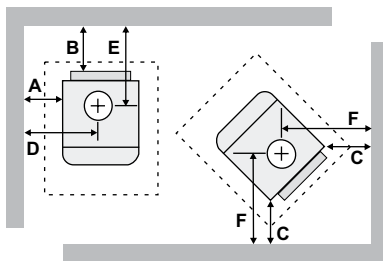
F1500, F2500, F3500 & F5200



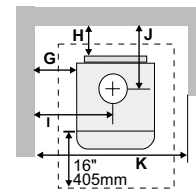
UNITS	A	B	C	D	E	F	G
F1500	32-3/4"	24"	20"	17-3/8"	4-1/2"	--	32"
F2500	34-5/8"	24"	27-1/8"	24-13/16"	6-7/16"	--	33-7/8"
F3500	36"	26"	28"	25-5/8"	8-7/8"	5-3/4"	--
F5200	39-3/4"	29"	31-3/16"	28-15/16"	7-1/8"	3"	--

MINIMUM CLEARANCE TO COMBUSTIBLE MATERIALS

Please read the section below carefully as clearances depend on whether the optional airmate convector or the rear heat deflector is installed on the stove. Measurements "From Unit" are from the top plate of the stove to a side wall or to a corner, and from the rear heat shield to a back wall.



NOTE: Be aware that local Codes and Regulations may override some clearances listed in this manual. Check with your local inspector. Clearances to combustibles are for the safety of the property. To avoid overheating and damaging the appliance these clearances should be maintained for non-combustibles also.



MINIMUM ALCOVE CLEARANCE TO COMBUSTIBLE MATERIALS

The Regency® Freestanding models have been alcove approved and must be installed with a listed double wall connector to the ceiling level. Minimum alcove ceiling height: 83"

RESIDENTIAL INSTALLATION "C" VENT (SINGLE WALL)		FROM UNIT		FROM CORNER		FROM FLUE CENTER-LINE	
		A	B	C	D	E	F
F1500	with AirMate or with Rear Deflector	11"	10-1/2"	9"	23"	17-1/16"	21"
F2500	with AirMate	16"	8-1/2"	7"	28"	13-1/2"	19"
	with Rear Deflector	16"	10-1/2"	7"	28"	15-1/2"	19"
F3500	with AirMate or with Rear Deflector	11"	9-1/2"	8"	24"	16"	20-1/2"
F5200	Not approved						

MINIMUM ALCOVE CLEARANCE		FROM UNIT		FROM FLUE CENTER-LINE		FROM WALL
		G	H	I	J	K
F1500	with AirMate or with Rear Deflector	9"	5"	21"	11-5/8"	46"
F2500	with AirMate	15"	7"	27"	13-1/2"	54"
	with Rear Deflector	15"	9"	27"	15-1/2"	54"
F3500	with AirMate or with Rear Deflector	11"	9-1/2"	24"	16"	60"
F5200	with AirMate or with Rear Deflector	11"	10"	25-1/2"	17-1/8"	63"

RESIDENTIAL CLOSE CLEARANCE (TO BE INSTALLED WITH REQUIRED PIPE COMPONENTS)

When the stove is installed as a close clearance residential unit, a listed double wall connector is required from the stove collar to the ceiling level.

RESIDENTIAL CLOSE CLEARANCE (TO BE INSTALLED WITH REQUIRED PIPE COMPONENTS)		FROM UNIT		FROM CORNER		FROM FLUE CENTER-LINE	
		A	B	C	D	E	F
F1500	with AirMate or with Rear Deflector	9"	5"	5"	21"	11-9/16"	17"
F2500	with AirMate	15"	7"	5"	27"	13-1/2"	17"
	with Rear Deflector	15"	9"	5"	27"	15-1/2"	17"
F3500	with AirMate or with Rear Deflector	11"	9-1/2"	8"	24"	16"	20-1/2"
F5200	with AirMate or with Rear Deflector	11"	10"	8"	25-1/2"	17-1/8"	22-1/2"

MOBILE HOME CLOSE CLEARANCE (TO BE INSTALLED WITH REQUIRED PIPE COMPONENTS)

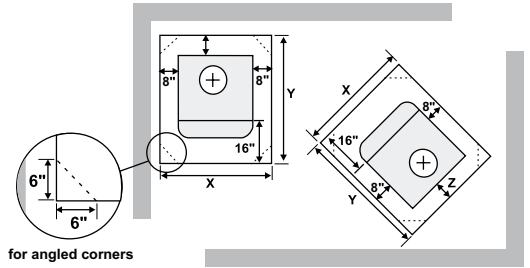
When the stove is installed as a close clearance residential unit, a listed double wall connector is required from the stove collar to the ceiling level. Refer to Mobile Home Installation in the manual.

MOBILE HOME CLOSE CLEARANCE (TO BE INSTALLED WITH REQUIRED PIPE COMPONENTS)		FROM UNIT		FROM CORNER		FROM FLUE CENTER-LINE	
		A	B	C	D	E	F
F1500	with AirMate or with Rear Deflector	9"	5"	5"	21"	11-9/16"	17"
F2500	with AirMate	15"	7"	5"	27"	13-1/2"	17"
	with Rear Deflector	15"	9"	5"	27"	15-1/2"	17"
F3500	with AirMate or with Rear Deflector	11"	9-1/2"	8"	24"	16"	20-1/2"
F5200	with AirMate or with Rear Deflector	11"	10"	8"	25-1/2"	17-1/8"	22-1/2"

SPECIFICATIONS

F1500, F2500, F3500 & F5200 - FLOOR PROTECTION

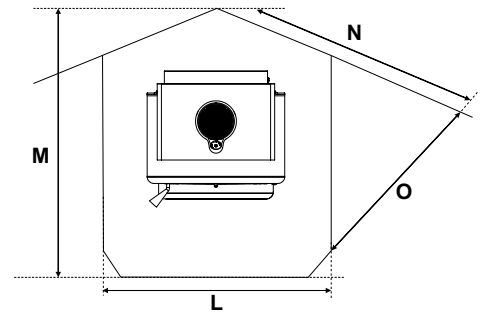
USA FLOOR PROTECTION (CORNER INSTALLATION)	X	RESIDENTIAL "C" VENT		RESIDENTIAL CLOSE CLEARANCE		MOBILE HOME CLOSE CLEARANCE		ALCOVE	
		Y	Z	Y	Z	Y	Z	Y	Z
F1500	33-11/16"	40"	8"	40"	8"	40"	8"	40"	8"
F2500	33-11/16"	47"	8"	47"	8"	47"	8"	47"	8"
F3500	33"	46-1/2"	8"	46-1/2"	8"	46-1/2"	8"	46-1/2"	8"
F5200	36"	--	--	51-1/8"	8"	51-1/8"	8"	51-1/8"	8"



NOTE: In Canada, floor protection must extend 18" (457mm) to the front and 8" (203mm) to back of the stove.
For F3500 and F5200: The rear clearance to combustibles is less than 6" (for corner installations the rear corners may be angled to take advantage of the closer clearances).

CANADA FLOOR PROTECTION (CORNER INSTALLATION)	X	RESIDENTIAL "C" VENT		RESIDENTIAL CLOSE CLEARANCE		MOBILE HOME CLOSE CLEARANCE		ALCOVE	
		Y	Z	Y	Z	Y	Z	Y	Z
F1500	33-11/16"	42"	8"	42"	8"	42"	8"	42"	8"
F2500	33-11/16"	49"	8"	49"	8"	49"	8"	49"	8"
F3500	33"	48-1/2"	8"	48-1/2"	8"	48-1/2"	8"	48-1/2"	8"
F5200	36"	--	--	53-1/8"	8"	53-1/8"	8"	53-1/8"	8"

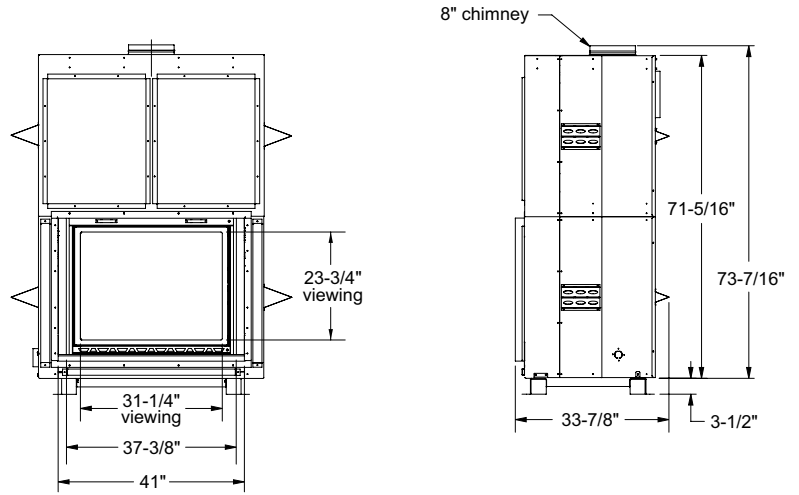
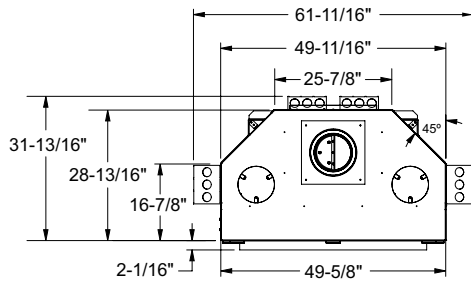
USA FLOOR PROTECTION CORNER HEARTH REQUIREMENTS	RESIDENTIAL "C" VENT				RESIDENTIAL CLOSE CLEARANCE			
	L	M	N	O	L	M	N	O
F1500	33-11/16"	55-3/16"	46-11/16"	22-7/8"	33-11/16"	49-1/2"	42-11/16"	18-7/8"
F2500	33-11/16"	59-7/16"	49-3/4"	25-7/8"	33-11/16"	55-15/16"	47-1/4"	23-7/16"
F3500	33"	63"	56-1/8"	24-5/16"	33"	63"	56-1/8"	24-5/16"
F5200	Not approved				36"	n/a	n/a	n/a



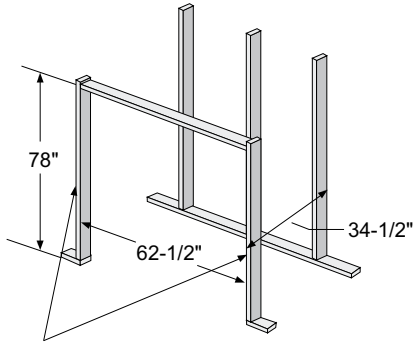
CANADA FLOOR PROTECTION CORNER HEARTH REQUIREMENTS	RESIDENTIAL "C" VENT				RESIDENTIAL CLOSE CLEARANCE			
	L	M	N	O	L	M	N	O
F1500	33-11/16"	57-3/16"	48-1/16"	24-1/4"	33-11/16"	51-1/2"	44-1/16"	20-1/4"
F2500	33-11/16"	61-7/16"	51-1/8"	27-5/16"	33-11/16"	57-15/16"	48-5/8"	24-13/16"
F3500	33"	65"	57-9/16"	25-3/4"	33"	65"	57-9/16"	25-3/4"
F5200	Not approved				36"	n/a	n/a	n/a

SPECIFICATIONS

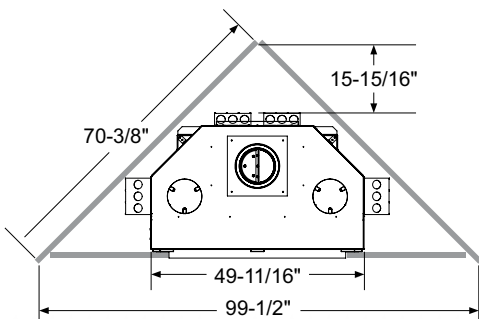
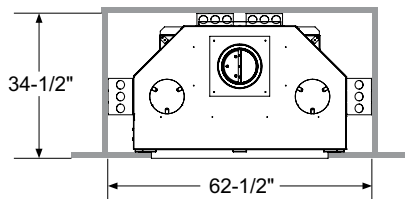
CF780 - DIMENSIONS



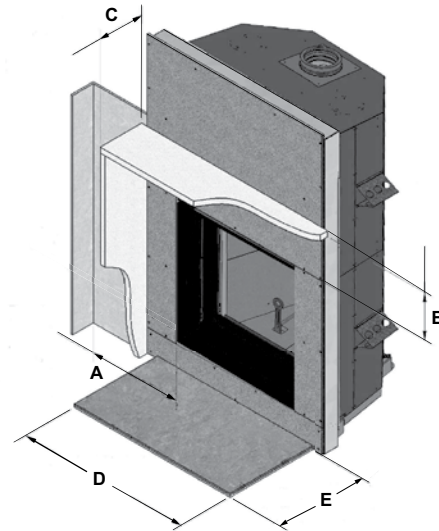
CF780 - FRAMING



Front Face - build with steel studs and non-combustible board. Plan out and frame ventilation grills. Finish with materials such as stone or tile.



CF780 - CLEARANCES



MINIMUM CLEARANCE TO COMBUSTIBLES

CF780	USA	CANADA
A Side Wall From Side Opening	24"	24"
B Mantel Height (min.) From Opening	7"	7"
C Mantel Depth (max.)	12"	12"

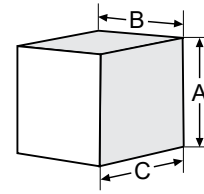
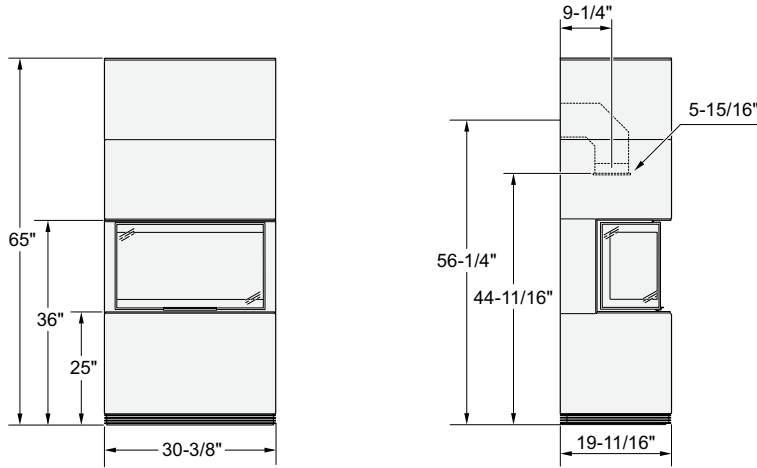
NON-COMBUSTIBLE HEARTH REQUIREMENT

CF780	USA	CANADA
D Hearth Width	61-3/8"	61-3/8"
E Hearth Depth	20"	20"

NOTE: Refer to manual for more detailed requirements.

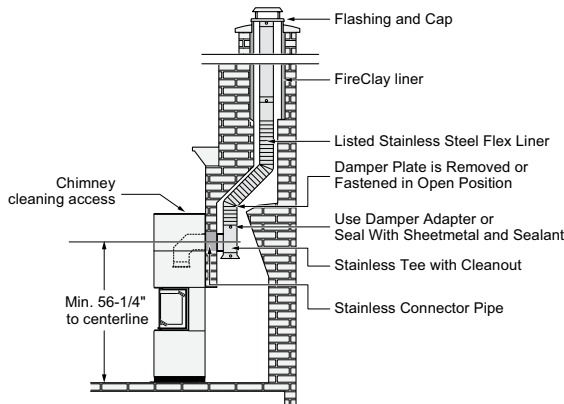
SPECIFICATIONS

Ri50 - DIMENSIONS



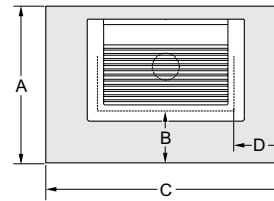
LOG BOX DIMENSIONS	
A - Height	19-11/16"
B - Width	15-3/4"
C - Depth	19-11/16"

Ri50 - MASONRY FIREPLACE INSTALLATION



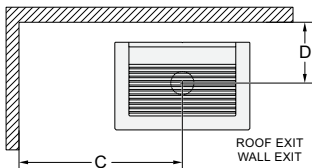
NOTE: For full installation details please check the manual and your local Codes and Regulations.

Ri50 - FLOOR PROTECTION

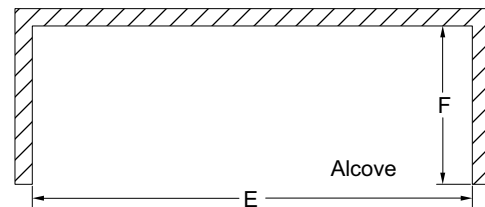
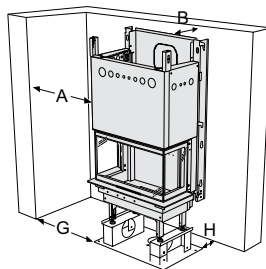


MINIMUM OVERALL DEPTH (Y) OF FLOOR PROTECTOR		
Ri50	USA	CANADA
A	43-1/2"	45-1/2"
B (Edge of Fuel door opening to edge of hearth)	16"	18"
C	58-1/2"	62-1/2"
D (Edge of Fuel door opening)	16"	18"

Ri50 - CLEARANCES



Note: If backwall is Masonry: zero clearance.
Note: 45° corner install: Maintain all clearance to combustibles.



Note: Minimum alcove ceiling height - 90"
 E = Minimum width of alcove - 100"
 F = Maximum depth of alcove - 36"

Note: All the clearances are required for air space between the appliance and wall/ceiling.

RESIDENTIAL INSTALLATION: DOUBLE WALL CONNECTOR ONLY

A	B**	C	D	E	F	G	H*
21-1/2"	4-1/2"	35-1/8"	12-1/8"	100"	36"	21-3/16"	3"

NOTE: Single wall pipe is not approved for this model.
 *If back wall is masonry, clearance is 0".
 **Distance from the rear heat shield.

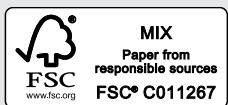
Note: Be aware that local Codes & Regulations may override some clearances listed in this manual. Check with your local inspector.

Note: Clearances to combustibles are for the safety of the property. To avoid overheating and damaging the appliance these clearances should be maintained for non-combustibles also.



regency-fire.com

Your Regency Dealer



©2019 FPI Fireplace Products International Ltd. Regency®, Regency Cascades™, Regency Pro-Series™, Alterra® and Contura™ are registered or proprietary trademarks of FPI Fireplace Products International Ltd. All rights reserved. Flue adaptor patent #7784458. Printed in Canada (07/19) Part no. 944-228