



# OUTDOOR GAS FIREPLACES

[REGENCY-FIRE.COM](http://REGENCY-FIRE.COM)



# WHY CHOOSE REGENCY?

At Regency, our past 40 years have been focused on providing a high-level of service while building high-quality and reliable products that our customers can enjoy for years to come.

## HIGH-QUALITY

*Producing a high-quality product has been at the very heart of what we do from when that very first stove rolled off the production line over 40 years ago to today. We are ever-focused on producing quality products for our customers that will last for years to come.*

## BEST WARRANTY

*A fireplace should be reliable and should work right the first time it is used, and the 1,000<sup>th</sup>. A core part of our business is making sure that we are building long-lasting, durable, high-quality products; we back-up that commitment with the industry's best warranty on all our products.*

## COST-EFFICIENT

*Never before have home heating costs been higher. Turn your furnace way down and zone heat with our beautiful, reliable and convenient Regency products. Not only can you cut your fuel bills in half, but you'll be able to enjoy the timeless comfort of a Regency fire.*

***Why Regency? Because it's more than a fireplace!***



# TABLE OF CONTENTS

Regency Plateau® Firetable  
**PTO30CFT**      **04**

Regency Horizon™ Outdoor  
Gas Fireplaces  
**HZ042**      **06**  
**HZ060**      **08**

Regency Plateau® Gas Burners  
**PTO30**      **10**  
**PTO50**      **12**

Design Choices & Options      **14**

Specifications      **16**





PTO30CFT shown with stainless steel top, crystals and glass wind shield.

## REGENCY PLATEAU® FIRETABLE

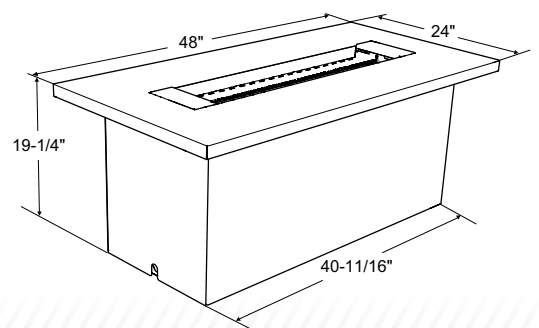
## PTO30CFT *Coffee Firetable*

### LINGER OUTDOORS LONGER... IN STYLE

Regency's versatile firetable is perfect for outdoor entertaining. At 20" tall, the sleek linear style of the Regency Plateau Coffee Table creates the perfect gathering space. Included is a dining leaf which adds functionality as an outdoor table when the fireplace is not in use. Crafted from the highest quality materials and durable construction, the Plateau collection is built to withstand the outdoor elements.

SPECIFICATIONS	NATURAL GAS	PROPANE
BTU Input (on high)*	49,000	48,000
BTU Input (on low)*	18,000	15,000

\* Figure will vary with individual conditions and fuel quality.





*PTO30CFT shown with sunset bronze top, crystals and glass wind shield.*

## FEATURES

- Propane
- Stainless steel linear burner
- Easy access on/off switch
- Match light ignition system
- Safety valve (turns gas off if flame goes out)
- Manual flame height adjustment
- Dining leaf adds functionality as an outdoor table when fireplace not in use
- Propane tank access & storage (11 lb tank)
- Approved for outdoor installation only
- No venting required

## OPTIONS

- Stainless steel or sunset bronze powder coated top (must choose one)
- Crystals or firebeads in various colors (must choose one)
- Volcanic stones in various colors
- Ceramic driftwood log set
- Seasonal weather cover
- Tempered glass wind shield (4-pc) with seasonal weather cover - recommended
- 4 casters (wheels to replace leveling legs)
- Natural gas conversion kit





HZO42 shown with crystals.

## REGENCY HORIZON™ | HZO42 *Outdoor Gas Fireplace*

### DESIGN YOUR OWN OUTDOOR FIREPLACE

The contemporary styling and quality craftsmanship of Regency's popular Horizon series is now available alfresco. Enjoy the drama of beautiful wide angle flames amplified by a reflective stainless steel body. A tempered glass wind shield maintains the strong flame picture, while the seasonal weather cover (included) protects the fireplace when it's not in use. Choose from a host of fine fire bed selections to create a flame experience as unique as you.

SPECIFICATIONS	NATURAL GAS	PROPANE
BTU Input	44,500	43,500

DIMENSIONS	
Faceplate Width	39-1/2"
Faceplate Height	17"
Viewing Area	449 sq. in.



HZO42 shown with slate gray volcanic stones.

## FEATURES

- Natural gas or propane
- Stainless steel faceplate with seasonal weather cover
- Stainless steel linear burner covered with copper crystals
- Tempered glass wind shield
- Stainless steel heat deflector & inner panels
- Easy access on/off switch
- Electronic ignition system
- Runs on a battery pack, or choose to hardwire directly into household wiring
- Safety valve (turn gas off if flame goes out)
- Approved for outdoor installation only
- No venting required

## OPTIONS

- Crystals or firebeads in various colors
- Volcanic stones in various colors
- River pebbles
- Ceramic driftwood log set
- Framing kit
- Hardwire kit





HZO60 shown in see-through application.

## REGENCY HORIZON™ | HZO60 *Outdoor Gas Fireplace*

### REGENCY'S LARGEST OUTDOOR GAS FIREPLACE EVER!

The perfect combination of style and comfort. This impressive 60" outdoor fire feature converts from single sided to see-through design perspective. Harness the power of 64,000 BTU's to remove the chill from night air.

SPECIFICATIONS	NATURAL GAS	PROPANE
Input (BTU)	64,000	62,000
Turn down to (BTU)	42,000	49,000

DIMENSIONS	
Width	60"
Height	17"
Depth	18"
Viewing Area	1,020 sq. in.





*HZO60 shown in single-sided application with stainless steel faceplate.*

## FEATURES

- Natural gas
- Single-sided or see-through design
- Stainless steel linear burner
- Tempered glass wind shield
- Stainless steel inner panels
- Easy access on/off switch
- Electronic ignition system
- Runs on a battery pack, or choose to hardwire directly into household wiring
- Safety valve (turn gas off if flame goes out)
- Approved for outdoor installation only
- No venting required

## OPTIONS

- Crystals or firebeads in various colors (must choose one)
- Volcanic stones in various colors
- Ceramic driftwood log set
- Stainless steel faceplate
- Stainless steel finishing trim
- Stainless steel burner cover
- Hardwire kit
- Propane conversion kit





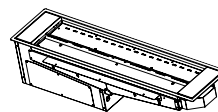
Two PTO30's connected end to end, shown with wind shield and framing kit.

## REGENCY PLATEAU® BURNER | PTO30 *Outdoor Gas Burner*

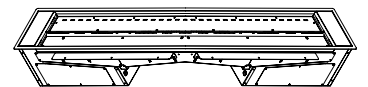
### THE ULTIMATE CUSTOMIZED FIRE FEATURE

For custom applications, the Regency Plateau Outdoor Burner brings the design versatility of a linear stainless steel burner to any outdoor landscape. Whether you are a landscape designer or a homeowner looking to renovate an outdoor living space, the Regency Plateau outdoor burner creates endless design possibilities to your outdoor oasis. This unit is available in 30" (PTO30) or you can install two together to turn it into a 60" burner.

SPECIFICATIONS	30"		60"	
	NATURAL GAS	PROPANE	NATURAL GAS	PROPANE
Input (BTU)	50,000	49,000	100,000	98,000
Turn down to (BTU)	30,000	38,000	60,000	76,000



**30"**  
PTO30 burner



**60"**  
Two PTO30 burners connected end to end



Custom application using the Regency Plateau® PTO30 burner and see-through framing kit.

## FEATURES

- Natural Gas
- Stainless steel linear burner
- Combine two burners for a more impressive fire feature
- Easy access on/off switch
- Electronic ignition
- Runs on a battery pack, or choose to hardwire directly into household wiring
- Safety valve (turns gas off if flame goes out)
- Approved for outdoor installation only
- No venting required

## OPTIONS

- Crystals or firebeads in various colors (must choose)
- Volcanic stones in various colors
- Ceramic driftwood log set
- Tempered glass wind shield (4-pc) with seasonal weather cover - recommended
- Stainless steel burner cover
- Various framing kits
- Hardwire kit
- Propane conversion kit
- 3pc brushed stainless steel panels (top + sides)





Two PT050's connected end to end, shown in custom application.

## REGENCY PLATEAU® BURNER | PT050 *Outdoor Gas Burner*

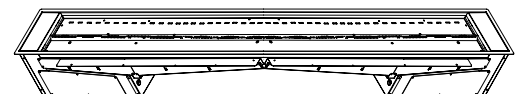
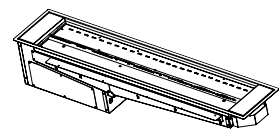
### CREATE THE BACKYARD OF YOUR DREAMS

Introducing a 50" linear stainless steel burner that provides the ultimate custom solution!

- Use the burner to create a 50" custom feature
- Connect two burners end-to-end to create an impressive 100" custom feature
- Connect the new 50" burner with our 30" burner for a custom 80" fire feature

SPECIFICATIONS	50"		100"	
	NATURAL GAS	PROPANE	NATURAL GAS	PROPANE
Input (BTU)	64,000	62,000	128,000	124,000
Turn down to (BTU)	42,000	49,000	84,000	98,000

**50"**  
PT050 burner



**100"**

Two PT050 burners connected end to end



*Two PT050's connected end to end, shown in custom application.*

## FEATURES

- Natural gas
- Stainless steel linear burner
- Combine two burners for a more impressive fire feature
- Easy access on/off switch
- Electronic ignition
- Runs on a battery pack, or choose to hardwire directly into household wiring
- Safety valve turns gas off if the flame goes out
- Approved for outdoor installation only
- No venting required

## OPTIONS

- Crystals or firebeads in various colors (must choose one)
- Volcanic stones in various colors
- Ceramic driftwood log set
- Tempered glass wind shield (4-pc or 6-pc) with seasonal weather cover - recommended
- Stainless steel finishing trim
- Stainless steel burner cover
- Various framing kits
- Hardwire kit
- Propane conversion kit

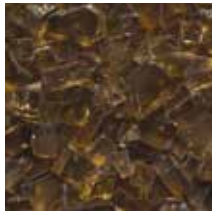


# FINISHING OPTIONS

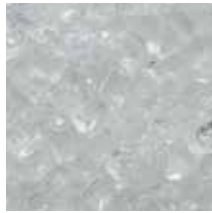
## CRYSTALS & FIREBEADS



Crystals - Black



Crystals - Copper



Crystals - Starfire



Firebeads - Black



Firebeads - Caramel Luster



Firebeads - Glacier Ice

## STONES & LOGS



Volcanic Stones - Gray



Volcanic Stones - Tan



River Pebbles (HZO42 only)



Driftwood Ceramic Log Set

## COFFEE FIRETABLE TOP OPTIONS



Stainless Steel



Sunset Bronze

## COFFEE FIRETABLE TOP OPTIONS



Exquisitely finished tempered glass for maximum comfort and optimum fire viewing



Matching burner cover (stainless steel/sunset bronze)  
(not available for HZO42)

# DIY - BURNERS & FRAMING KITS

## 1-2-3 INSTANT FIREPLACE - HZO42



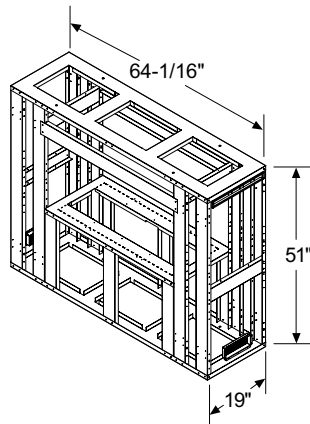
No fireplace? No problem! The Regency steel framing kit allows you to install and finish your outdoor gas fireplace in no time...

**DIMENSIONS: 60" W x 20" D x 52-1/2" H**

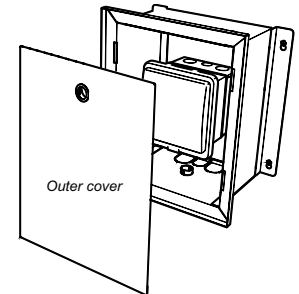
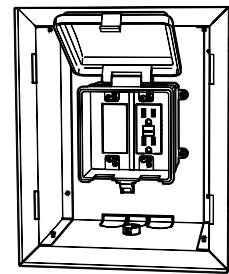
## PTO30 SEE-THROUGH FRAMING KIT



Custom application using the Regency Plateau™ PTO30 burner and see-through framing kit.



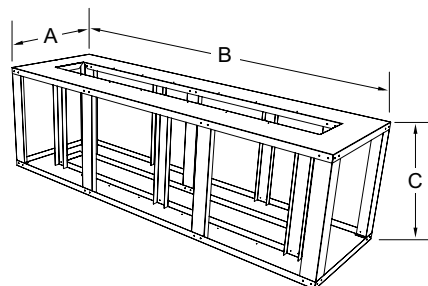
## HARD WIRE KIT



Hard wire kit is perfect for residential or commercial applications. (not available for PTO30CFT)

**NOTE:** Two ventilation grills are highly recommended for all enclosures. This is to alleviate moisture and allow air to circulate. Minimum recommended size is 20 sq. in. for each grill.

## TABLE FRAMING KIT

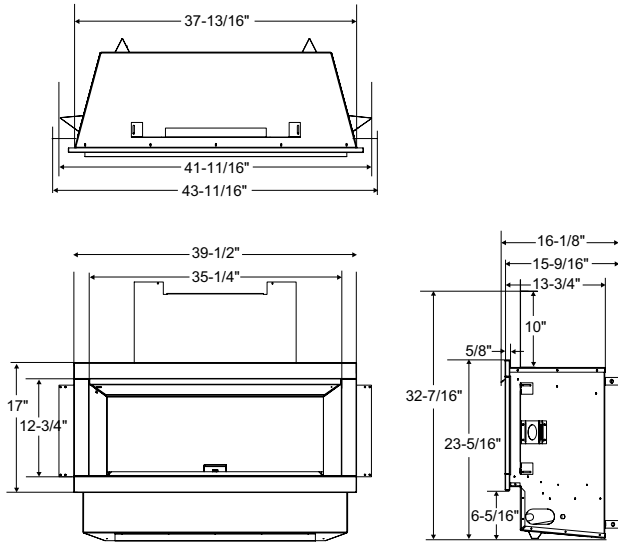


FRAMING	50"	60"
A	24"	24"
B	69"	79"
C	24"	24"

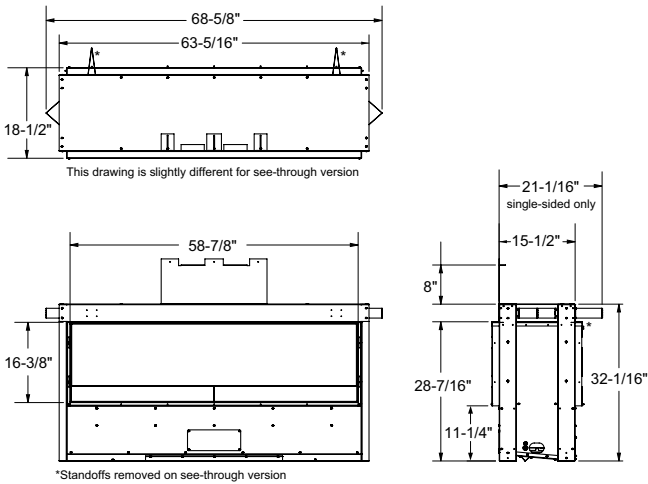
**NOTE:** Finishing materials are not included with framing kits.

# REGENCY HORIZON™ HZO42 & HZO60 OUTDOOR FIREPLACES

## SPECIFICATIONS HZO42

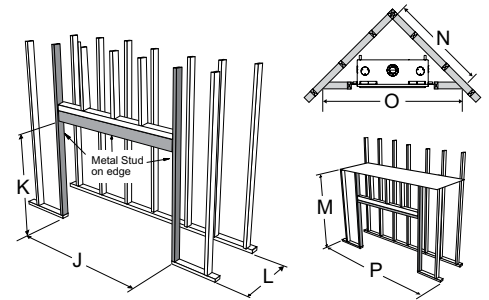


## SPECIFICATIONS HZO60 *Single sided and see-through*



## FRAMING

	HZO42	HZO60
J	42-3/16"	69"
K	32-11/16"	40-1/4"
L	20"	22-1/4"
M	52-1/2"	43-3/4"
N	40-7/16"	76-13/16"
O	54-3/16"	108-5/8"
P	60"	--

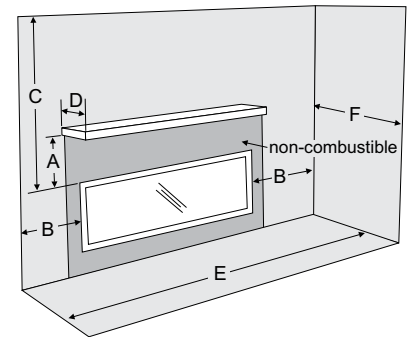


\*Single sided only

Note: Please refer to the manual for specific framing instructions for the see through configuration.

## CLEARANCES

	HZO42	HZO60*
A (min.)	18"	22"
B	11"	11"
C	36"	36"
D** (max.)	12"	12"
E	57"	86"
F	36"	36"
P	60"	--



\* The same clearances apply for the see through configuration.

\*\* With A at 26-1/2" height (HZO42)

\*\* With A at 22" height (HZO60)

NOTE: All product specifications are subject to change without notice. Before installing refer to the relevant product manual for full and up to date information. Manuals can be downloaded from our website [www.regency-fire.com](http://www.regency-fire.com)

regency-fire.com

your Regency dealer