



*City Series*  
MODERN FIREPLACES  
WITH NO LIMITATIONS

# City Series

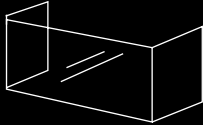
MODERN FIREPLACES WITH NO LIMITATIONS

The Regency City Series of modern gas fireplaces offer unmatched design flexibility, quality, and modern styling. These stunning fireplaces create a unique focal point in your home and provide the calming ambiance of a large fire with just the push of a button.

- TRUE FRAMELESS FIRE & SEAMLESS GLASS BARRIER
- PLACE A TV OR ARTWORK DIRECTLY ABOVE THE FIREPLACE WITH NO LIMITATIONS
- USE ANY MATERIAL RIGHT TO THE EDGE OF THE FIRE, EVEN WOOD OR WALLPAPER
- INDUSTRY'S BEST, MOST COMPREHENSIVE LIMITED LIFETIME WARRANTY



# Table of Contents

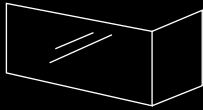


## ► *San Francisco Bay*

CB40E • CB40EPV 04

CB60E • CB60EPV 06

CB72EPV 08



## ► *Chicago Corner*

CC40RE • CC40LE • CC40REPV • CC40LEPV 10

CB60E • CB60EPV • CB72EPV with  
corner installation kit 12



## ► *New York View*

CV40E • CV40EPV 14

CV72E • CV72EPV 16

City Series Features 18

Accessories 22

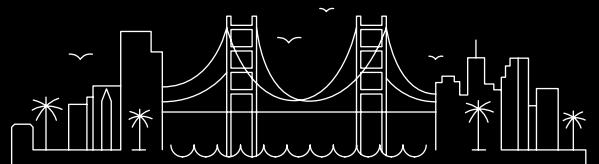
Specifications 26





*San Francisco Bay 40 shown with driftwood log set, crushed coal black glass, reflective glass interior panels and hearth top.*

# San Francisco Bay



## CB40E • CB40EPV

Create the look you desire with flexible finishing options, linear design, and stunning log/crystal and flame picture. The San Francisco Bay sparks conversations and welcomes visitors to your home. Enjoy the comfort and ambiance of the unmatched City Series San Francisco 40.

WIDTH	HEIGHT	DEPTH
47"	15-1/16"	14-11/16"



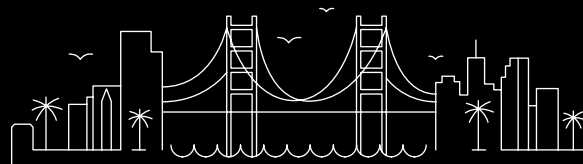
*San Francisco Bay 40 shown with volcanic stones & matte black interior panels.*





*San Francisco Bay 60 with split log set, crushed coal black glass & reflective black enamel interior panels.*

# San Francisco Bay



## CB60E • CB60EPV

Larger in every sense of the word. The San Francisco Bay 60 is not only larger than other models but also includes taller glass and a significantly larger overall viewing area. Modern, clean design with a large glass viewing area, the San Francisco 60 is sure to take your breath away day-after-day.

WIDTH	HEIGHT	DEPTH
68-1/2"	18"	14-1/2"



*San Francisco Bay 60 shown with black reflective crystals, crushed coal black glass & reflective black enamel interior panels.*





*San Francisco Bay 72 shown with volcanic stones & reflective black glass interior panels.*

# San Francisco Bay



## CB72EPV

The City Series San Francisco Bay 72 is the largest of our City Series models. The 72 Bay is guaranteed to impress, get your guests talking and create a stunning, one-of-a-kind fireplace. Flexible installation and finishing options make this unit a designers, and homeowners, dream.

WIDTH	HEIGHT	DEPTH
82-13/16"	15"	14-11/16"





*San Francisco Bay 72 shown with split log set, crushed coal black glass & reflective black enamel interior panels.*



*Chicago Left Corner 40 shown with birch log set, crushed coal black glass & reflective black enamel interior panels.*

# Chicago Corner



CC40LE • CC40RE • CC40LEPV • CC40REPV

Available as either a Left or Right corner unit with flexible venting options, the Chicago Corner 40 is perfect as a standalone design feature, or as a stunning accent in any room. Flexible installation, unlimited finishing options, and limitless potential is possible with the Chicago Corner 40.

WIDTH	HEIGHT	DEPTH
42-15/16"	15-1/16"	14-11/16"





*Chicago Right Corner 40 shown with starfire crystals,  
iceberg crushed glass & reflective black enamel interior panels.*





San Francisco Bay 60 shown with corner installation kit.

# Chicago Corner



## CB60E, CB60EPV & CB72EPV with Corner Installation Kit

Bring the large luxury of the San Francisco Bay 60 and 72 to your home with our unique corner installation. With a Corner installation kit the Bay 60 or 72 can be transformed to a Chicago Corner creating a stunning large-faced corner unit unlike anything you have ever seen before.





San Francisco Bay 72 shown with corner installation kit.





*New York View 40 shown with volcanic stones & reflective black glass interior panels.*

# New York View



## CV40E • CV40EPV

With its simple, elegant design the New York View 40 brings the flexibility and beauty of the City Series to any home. A frameless design and stunning flame picture are sure to continue grabbing your attention for years to come.

WIDTH	HEIGHT	DEPTH
38-13/16"	15-1/16"	14-11/16"





*New York View 40 shown with birch log set, crushed coal black glass, matte black interior panels & extended side panels.*





*New York View 72 shown with birch log set, crushed coal black glass & matte black interior panels.*

# New York View



## CV72E • CV72EPV

The New York 72 offers an impressively large viewing area. The sheer size of this fireplace is sure to spark conversation, couple that with the stunning flame picture and flexible finishing options and you are able to create a beautiful focal point in any room - large or small!

WIDTH	HEIGHT	DEPTH
72"	15"	14-11/16"



*New York View 72 shown with volcanic stones & reflective black glass interior panels.*





# Unlimited Finishes

## NO LIMITS. NO RESTRICTIONS.

Designed to maintain a cool wall to accommodate custom finishes right to the edge of your fireplace!

## ADVANTAGES

- Place a TV above the fireplace without it getting damaged
- Hang artwork without fear of warping
- Paint will not discolor, drywall will not crack
- No internal fans required
- Use any finish right to the edge of the fire, even wood or wallpaper



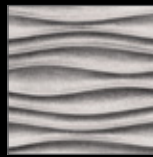
Wood



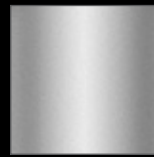
Wallpaper



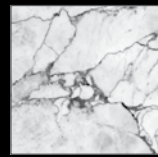
Fabric



Textured Panel



Metal



Marble



Tile



Embossed Panel



Glass



Faux Stone

## FRAMELESS FIRE

- An uninterrupted view of the flames
- Seamlessly integrates into any interior
- Invisible glass safety barrier (patent pending)
- No frames, mesh or silicone
- Integrated liner panel options and black glass accessories
- Available in single-sided, two-sided and three-sided designs





*New York View 40 shown with driftwood log set, crushed coal black glass & reflective black enamel interior panels.*

# Controllable Warmth

## FLEXIBLE VENTING OPTIONS

Regency's patent pending cool wall system releases warmth at ceiling level. This system reduces excessive radiant heat in front of the fireplace so you can enjoy your fireplace more often.

- Design your own chase vent solution to suit your home
- Use optional front or side chase vent grills
- Release warmth into the room discreetly



Front



Side



Top

## COOL WALL SYSTEM

Cool air is drawn into the system around the floating glass safety barrier. Cooler air is then split between the heat exchanger and the inside wall surface.

The air travelling through the heat exchanger is heated by the fireplace and then directed out the back of the fireplace. The combined warmed air is then vented back into the room.



## FLUSH POWER VENT

You can now vent City Series models above or below grade with our new flush horizontal power vent wall termination cap. The flush design and ability to be painted allows for seamless integration into the existing exterior of any home.

- Vent runs up to 72 ft
- Allows for 7 ft negative vent run below first elbow
- Use up to six 90° elbows or twelve 45° elbows
- Use flex vent or rigid pipe
- Horizontal power vent wall termination cap can be installed flush or adjusted to the depth of your wall



Flush Power Vent wall termination cap



Can be painted to match any exterior





*New York View 40 shown with black reflective crystals, crushed coal black glass, reflective black enamel interior panels & extended side panels.*

# Accessories

## EXTENDED VIEW PANELS

Flush to the wall and reflective, black glass extended view panels focus the eye, create visual balance and amplify flames for maximum impact. A literal expansion of City Series' frameless firebox, extended view panels integrate seamlessly for a striking, modern, linear look.

- Create the illusion of a larger fireplace
- Establish balance on a multi-function fireplace feature wall
- Black glass reflective finish amplifies the flame experience
- Can be used on New York 40 & 72 models to extend the length by 24"



*In this photo, the fireplace is overshadowed by a large television, creating a top heavy fireplace feature wall*



*In this photo, the fireplace achieves visual prominence and balance with the addition of black glass extended view panels*

## CORNER INSTALLATION KIT

The corner installation kit transforms a San Francisco Bay 60 or 72 into Chicago Corner creating a stunning large-faced corner unit unlike anything you have ever seen before.

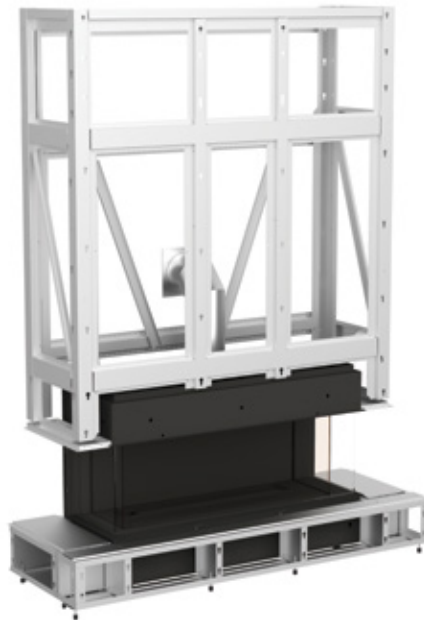




# Create Your Own Fireplace



COMPACT CHASE FRAMING KIT



EXTENDED CHASE FRAMING KIT



CORNER CHASE STARTER KIT

## OPTIONAL FRAMING KITS

40" UNITS	WIDTH	DEPTH	HEIGHT
Compact chase	48-1/2"	18-3/4"	46-3/4" - 87-1/4"
Extended chase	60-1/4"	18-3/4"	54" - 94-3/4"
Extended hearth	68-1/2"	25-1/4"	8-1/2" - 11-1/2"
Corner chase starter kit	49-3/4"	18"	62-7/8" Bottom of unit to top of framing kit



60" UNITS	WIDTH	DEPTH	HEIGHT
Compact chase starter kit	71-5/16"	20-3/8"	78-1/2" Bottom of unit to top of framing kit



Regency steel framing kit

72" UNITS	WIDTH	DEPTH	HEIGHT
Compact chase starter kit	82-7/8"	20-3/8"	83-1/2" Bottom of unit to top of framing kit

## FIREBED OPTIONS



Glass Crystals & Split Log Set



Glass Crystals & Volcanic Stones



Glass Crystals & Birch Log Set



Starfire Crystals & Iceberg Crushed Glass

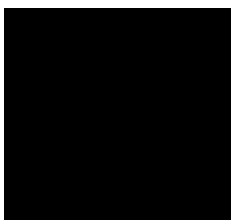


Glass Crystals & Driftwood Log Set



Reflective Black Crystals & Black Coal Crushed Glass

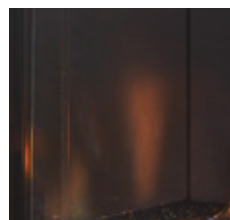
## INTERIOR OPTIONS



Matte Black Panels



Premium Reflective Black Glass Panels



Reflective Black Enamel Panels

## REMOTE



Proflame II



# ACCESSORIES

ACCESSORIES - AT A GLANCE		CB40E • CB40EPV	CB60E • CB60EPV	CB72EPV	CC40RE • CC40LE + PVs	CV40E • CV40EPV	CV72E • CV72EPV
Clean face design		✓	✓	✓	✓	✓	✓
Interior options	Firebed	Crystals in various colors	★	★	★	★	★
		Firebeads in various colors	★	★	★	★	★
		Sea wool	✓	✓	✓	✓	✓
	For firebox floor	Crushed glass in various colors	★	★	★	★	★
		Ceramic spa stones	★	★	★	★	★
		Volcanic stones	★	★	★	★	★
		Natural river pebbles	★	★	★	★	★
	Log set	Driftwood log set	★	★	★	★	★
		Split log set	★	★	★	★	★
		Birch log set	★	★	★	★	★
	Inner panels	Matte black	★	★	★	★	★
		Black enamel	★	★	★	★	★
Black glass		★	★	★	★	★	
Glass safety barrier		✓	✓	✓	✓	✓	✓
Extended view side panels		•	•	•	•	★	★
Corner installation kit		•	✓	✓	•	•	✓
Framing kits	Compact chase	★	•	•	•	•	•
	Extended chase	★	•	•	•	•	•
	Extended hearth	★	•	•	•	•	•
	Starter kit	★	★	★	★	•	•
Hearth top - black glass		✓	•	•	•	•	•
TV wiring kit		★	★	★	★	★	★
Chase grills	Front chase grill	★	★	★	★	★	★
	Side chase grill 2pk	★	•	•	★	★	•
Accent lights		✓	✓	✓	✓	✓	✓
Controls	Proflame II GTMF	✓	✓	✓	✓	✓	✓
Venting	Direct vent	✓	✓	•	✓	✓	✓
	Power vent	✓	✓	✓	✓	✓	✓
	AstroCap® venting system	★	★	★	★	★	★
	Heat Wave™ power duct system	★	★	★	★	★	★
	Heat Wave adapter	★	•	•	★	★	•
Propane conversion kit		★	★	★	★	★	★

• Not available

✓ Standard

★ Optional

# SPECIFICATIONS

## > Natural Gas

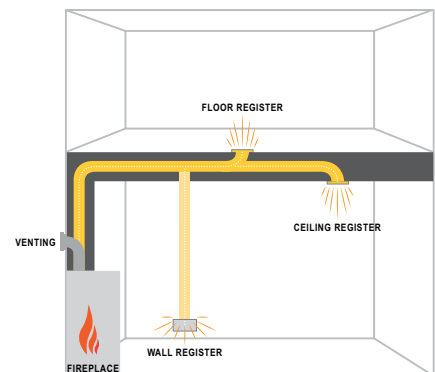
SPECIFICATIONS - NATURAL GAS		INPUT (BTU)	TURN DOWN TO (BTU)	EFFICIENCY (STEADY STATE)	ENERGUIDE RATING (CANADA ONLY)
San Francisco Bay	CB40E	28,500	15,500	60.02%	55.23%
	CB40EPV	28,500	15,500	57.73%	60.02%
	CB60E	39,000	27,000	60.86%	56.26%
	CB60EPV	39,000	27,000	n/a	n/a
	CB72EPV	46,500	32,000	61.65%	63.37%
Chicago Corner	CC40RE • CC40LE	28,500	15,500	60.02%	55.59%
	CC40REPV • CC40LEPV	28,500	15,500	57.73%	55.23%
New York View	CV40E	28,500	15,500	60.02%	55.23%
	CV40EPV	28,500	15,500	57.73%	60.02%
	CV72E	46,500	32,000	61.65%	63.37%
	CV72EPV	46,500	32,000	61.66%	63.39%

## > Propane

SPECIFICATIONS - PROPANE		INPUT (BTU)	TURN DOWN TO (BTU)	EFFICIENCY (STEADY STATE)	ENERGUIDE RATING (CANADA ONLY)
San Francisco Bay	CB40E	28,500	15,500	60.70%	56.06%
	CB40EPV	28,500	15,500	58.32%	60.85%
	CB60E	36,000	19,500	61.77%	56.49%
	CB60EPV	36,000	19,500	n/a	n/a
	CB72EPV	45,500	36,000	64.20%	65.51%
Chicago Corner	CC40RE • CC40LE	28,500	15,500	60.70%	56.06%
	CC40REPV • CC40LEPV	28,500	15,500	58.32%	60.85%
New York View	CV40E	28,500	15,500	60.70%	56.06%
	CV40EPV	28,500	15,500	58.32%	60.85%
	CV72E	45,500	32,000	63.83%	60.61%
	CV72EPV	45,500	36,000	64.20%	65.52%

## HEAT DISTRIBUTION KIT

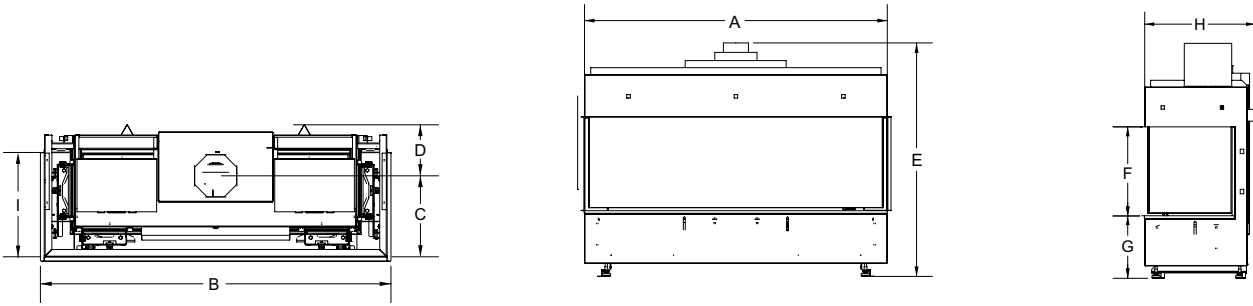
Increase the effectiveness of your fireplace by dispersing warm air from the fireplace to remote locations in the same room or other rooms in your home by using the heat distribution kit.



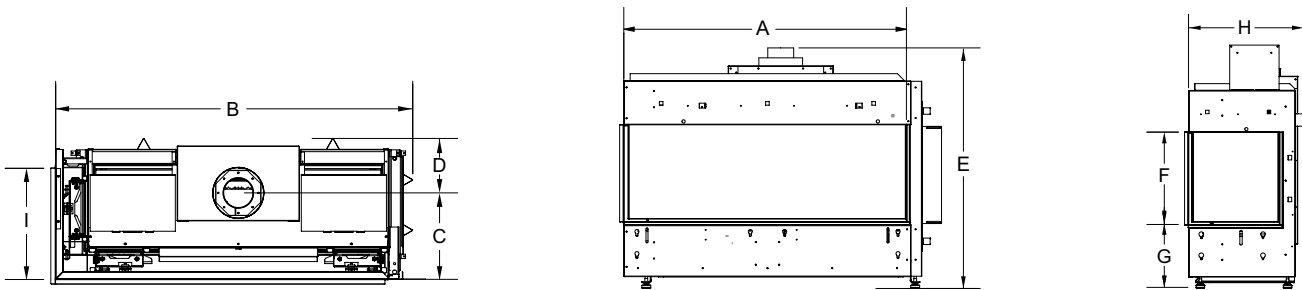


# Specifications

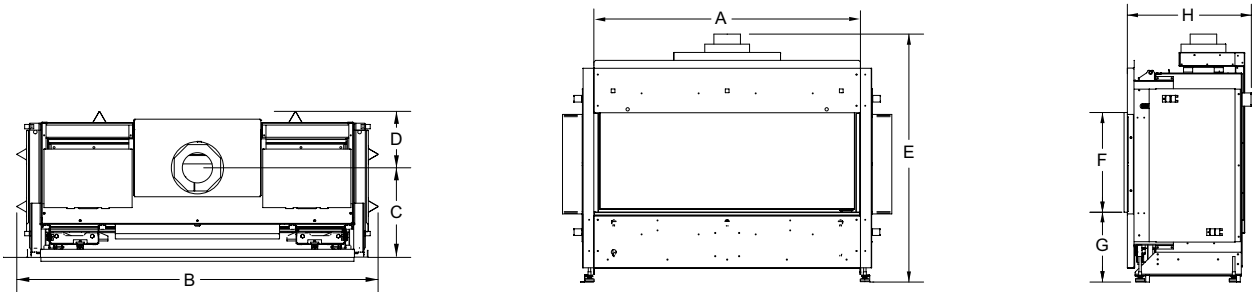
## San Francisco Bay units :



## Chicago Corner units :



## New York View units :

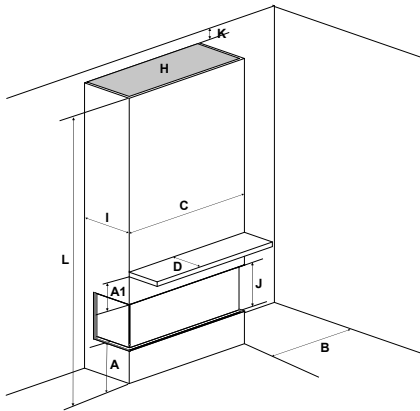


	CB40E • CB40EPV	CB60E • CB60EPV	CB72EPV	CC40RE • CC40LE + PVs	CV40E • CV40EPV	CV72E • CV72EPV
A	48-7/16"	71-1/4"	82-11/16"	43-5/8"	40"	72"
B	49-5/8"	72-5/16"	83-7/8"	47-3/8"	46-1/4"	77-7/16"
C	11-7/16"	13"	13"	11-7/16"	11-7/16"	13"
D	7-1/4"	7-1/4"	7-3/8"	7-1/4"	7-1/4"	7-3/8"
E	37-3/8"	39-1/4"	46"	37-3/8"	37-3/8"	46"
F	15-1/16"	18"	15-1/16"	15-1/16"	15-1/16"	15-1/16"
G	10-1/2"	10-1/4"	10-1/4"	10-1/2"	10-1/2"	10-1/4"
H	18-11/16"	20-5/16"	20-3/8"	18-11/16"	18-11/16"	20-3/8"
I	14-11/16"	16"	--	14-11/16"	--	--

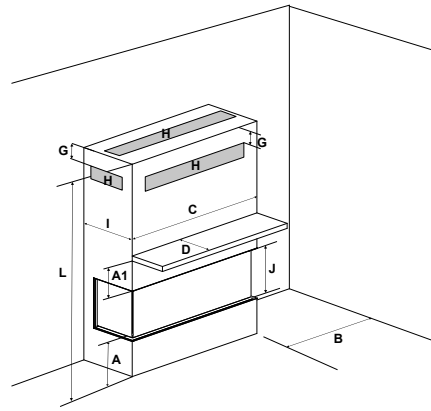
UNITS	VENTING
CB40E, CB40EPV, CB60EPV, CB72EPV	4" x 6-5/8"
CC40RE/LE, CC40REPV/LEPV	4" x 6-5/8"
CV40E, CV40EPV	4" x 6-5/8"
CB60E, CV72E	5" x 8"
CV72EPV	4" x 6-5/8"

# CLEARANCES

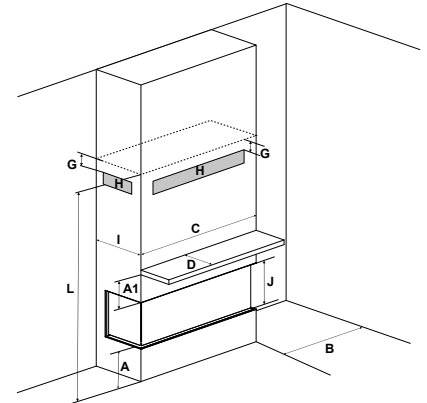
## San Francisco Bay units :



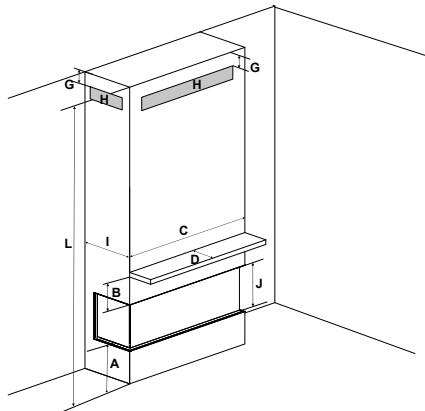
Floor to ceiling with top opening



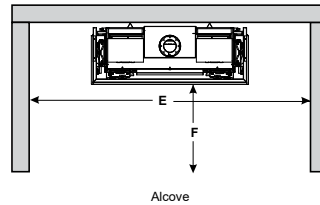
Low framing with vents in front/sides or top



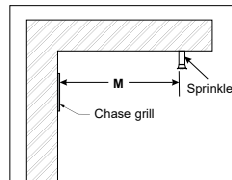
Full framing with low vents in front or sides



Full framing with vents in front or sides



Alcove



Side view

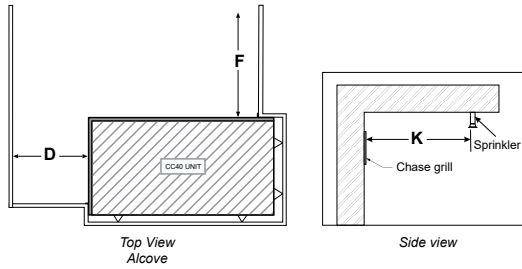
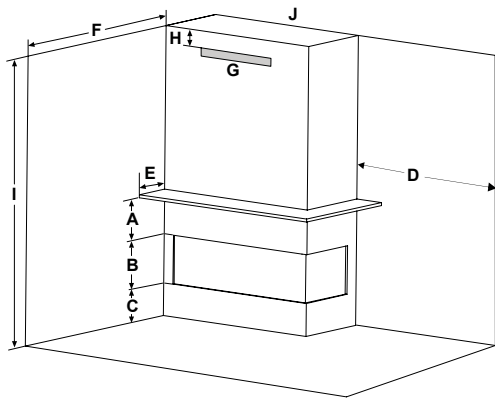
CLEARANCES		CB40E • CB40EPV	CB60E • CB60EPV	CB72EPV
A	From Floor	Min. 0"	Min. 0"	Min. 0"
A1	Mantel Height (min.)	**	**	**
B	Sidewall (on one side)	8-1/2"	5-7/8"	8"
C	Enclosure Width (min.)	48-7/16"	71-1/4"	82-11/16"
D	Mantel Depth (max.)	**	**	**
E	Alcove Width	84"	119-1/2"	120"
F	Alcove Depth	36"	35"	36"
G	To Enclosure Ceiling (min./max.)	0 - 3"	0 - 2"	0 - 2"
H	Convection Air Outlet	120 sq. in.	180 sq. in.	288 sq. in.
I	Enclosure Depth (min.)	19"	20-5/16"	20-3/8"
J	Opening Height	15-1/16"	18"	15-1/16"
K	To Ceiling (min.) - All 3 sides	1-1/2"	1-3/4"	2-1/2"
L	Chase Enclosure (min.)	63"	81-1/4"	87"
M	Clearance to Sprinkler Head (min.)	36"	36"	36"

\*\* See mantel clearances chart in the manual.



# CLEARANCES

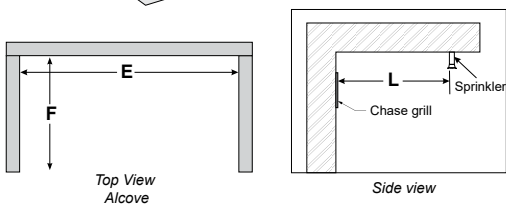
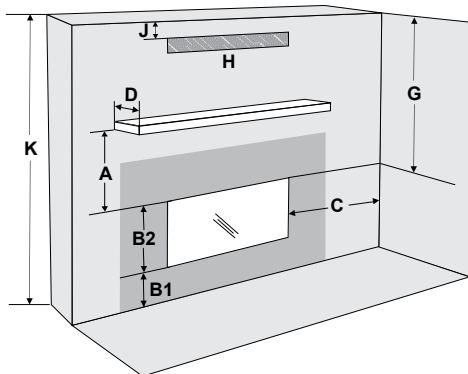
## Chicago Corner units :



CLEARANCES		CC40RE • CC40LE + PVs
A	Mantel Height (min.)	**
B	Opening Height	15-1/16"
C	From Floor	Min. 0"
D	Sidewall (on one side)	Min. 36"
E	Mantel Depth (max.)	**
F	Alcove Depth	Min. 36"
G	Convection Air Outlet	120 sq. in.
H	Convection Air Outlet Opening Offset	0 - 3"
I	Chase Enclosure (min.)	63"
K	Clearance to Sprinkler Head (min.)	36"

\*\* See mantel clearances chart in the manual.

## New York View units :

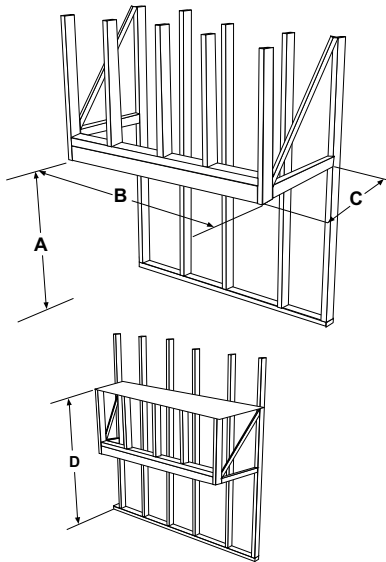


CLEARANCES		CV40E • CV40EPV	CV72E • CV72EPV
A	Mantel Height (min.)	**	**
B1	From Floor	Min. 0"	Min. 0"
B2	Opening Height	15-1/16"	15-1/2"
C	Sidewall (on one side)	8-1/2"	8"
D	Mantel Depth (max.)	**	**
E	Alcove Width	84"	88"
F	Alcove Depth	36"	36"
G	Ceiling (in front of fireplace)	37-1/2"	61-3/4"
H	Convection Air Outlet	120 sq. in.	288 sq. in.
J	Convection Air Outlet Opening Offset	0 - 3"	0 - 2"
K	Chase Enclosure (min.)	63"	87"
L	Clearance to Sprinkler Head (min.)	36"	36"

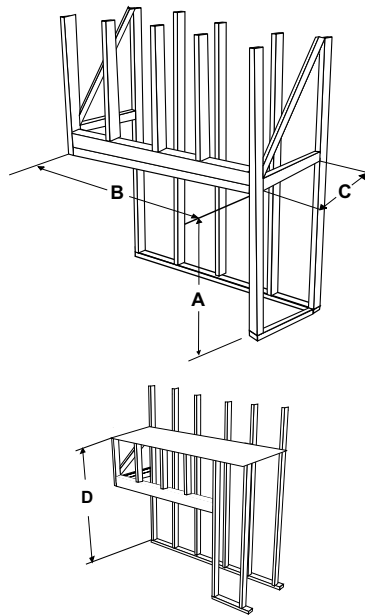
\*\* See mantel clearances chart in the manual.

# FRAMING

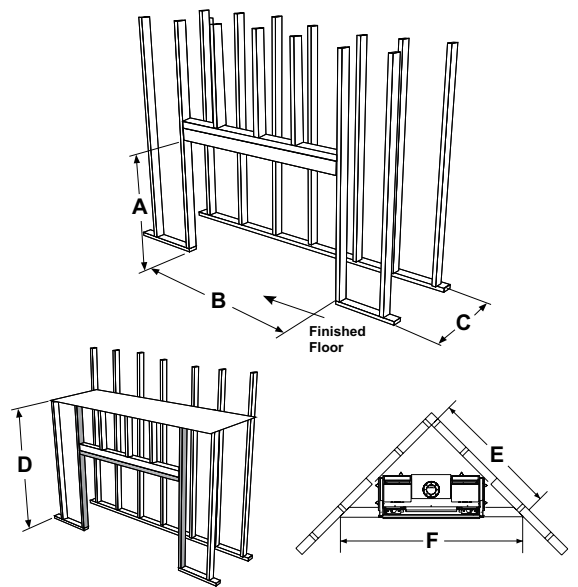
**San Francisco Bay units :**



**Chicago Corner units :**



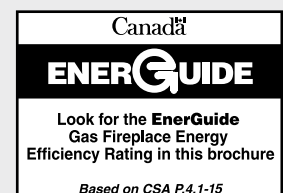
**New York View units :**



FRAMING	CB40E • CB40EPV	CB60E • CB60EPV	CB72EPV	CC40RE • CC40LE + PVS	CV40E • CV40EPV	CV72E • CV72EPV
A Framing Height	37-3/8"	41-1/4"	51"	37-3/8"	37-3/8"	51"
B Framing Width	48-1/2"	71-1/4"	82-11/16"	48-1/4"	46-3/4"	78"
C Framing Depth	19"	20-5/16"	20-5/8"	19"	19"	20-5/8"
D Minimum Height to Combustibles	63"	81-1/4"	87"	63"	63"	87"
E Corner Wall Depth	-	-	-	-	55"	82-1/8"
F Corner Facing Wall Width	-	-	-	-	77-3/4"	116-3/16"

Visit [www.regency-fire.com](http://www.regency-fire.com) for City Series downloads including:

- Specifications
- Detailed drawings
- Manuals
- Framing & clearances







[regency-fire.com](http://regency-fire.com)



©2019 FPI Fireplace Products International Ltd. Regency®, AstroCap® and Heat Wave™ are registered or proprietary trademarks of FPI Fireplace Products International Ltd. All rights reserved. Printed in Canada (11/19)  
Part No. 944-427

*your Regency dealer*